



US00D815298S

(12) **United States Design Patent**
Gorelick

(10) **Patent No.:** **US D815,298 S**
(45) **Date of Patent:** **** Apr. 10, 2018**

(54) **HAIR BRUSH SANITIZING UNIT**

(71) Applicant: **Hillel Ulysses Gorelick**, Forest Hills, NY (US)

(72) Inventor: **Hillel Ulysses Gorelick**, Forest Hills, NY (US)

(**) Term: **15 Years**

(21) Appl. No.: **29/552,713**

(22) Filed: **Jan. 25, 2016**

(51) **LOC (11) Cl.** **24-01**

(52) **U.S. Cl.**
USPC **D24/217**

(58) **Field of Classification Search**
USPC D24/216, 217, 218, 219, 224-232;
D3/200, 203.1, 203.2, 294, 298; D9/420,
(Continued)

(56) **References Cited**

U.S. PATENT DOCUMENTS

D516,257 S * 2/2006 Brackett D32/1
D538,437 S * 3/2007 Yue D24/217
(Continued)

Primary Examiner — Anhdao Doan

(74) *Attorney, Agent, or Firm* — Michael L. Greenberg,
Esq.; Greenberg & Lieberman, LLC

(57) **CLAIM**

The ornamental design for a hair brush sanitizing unit, as shown and described.

DESCRIPTION

FIG. 1 is a front perspective view of the first embodiment of the present invention, showing a sliding door open;
FIG. 2 is a front perspective view of the first embodiment of the present invention, showing the sliding door closed;

FIG. 3 is a bottom rear perspective view of the first embodiment of the present invention;

FIG. 4 is a rear side perspective view of the first embodiment of the present invention, showing the sliding door closed;

FIG. 5 is a front view of the first embodiment of the present invention, showing the sliding door open;

FIG. 6 is a rear view of the first embodiment of the present invention;

FIG. 7 is a right side view of the first embodiment of the present invention;

FIG. 8 is a left side view of the first embodiment of the present invention;

FIG. 9 is a top view of the first embodiment of the present invention, showing the sliding door closed;

FIG. 10 is a top view of the first embodiment of the present invention, showing the sliding door open;

FIG. 11 is a front perspective view of a second embodiment of the present invention, showing the sliding door open;

FIG. 12 is a front perspective view of the second embodiment of the present invention, showing the sliding door closed;

FIG. 13 is a bottom rear perspective view of the second embodiment of the present invention;

FIG. 14 is a rear side perspective view of the second embodiment of the present invention, showing the sliding door closed;

FIG. 15 is a front view of the second embodiment of the present invention, showing the sliding door open;

FIG. 16 is a rear view of the second embodiment of the present invention;

FIG. 17 is a right side view of the second embodiment of the present invention;

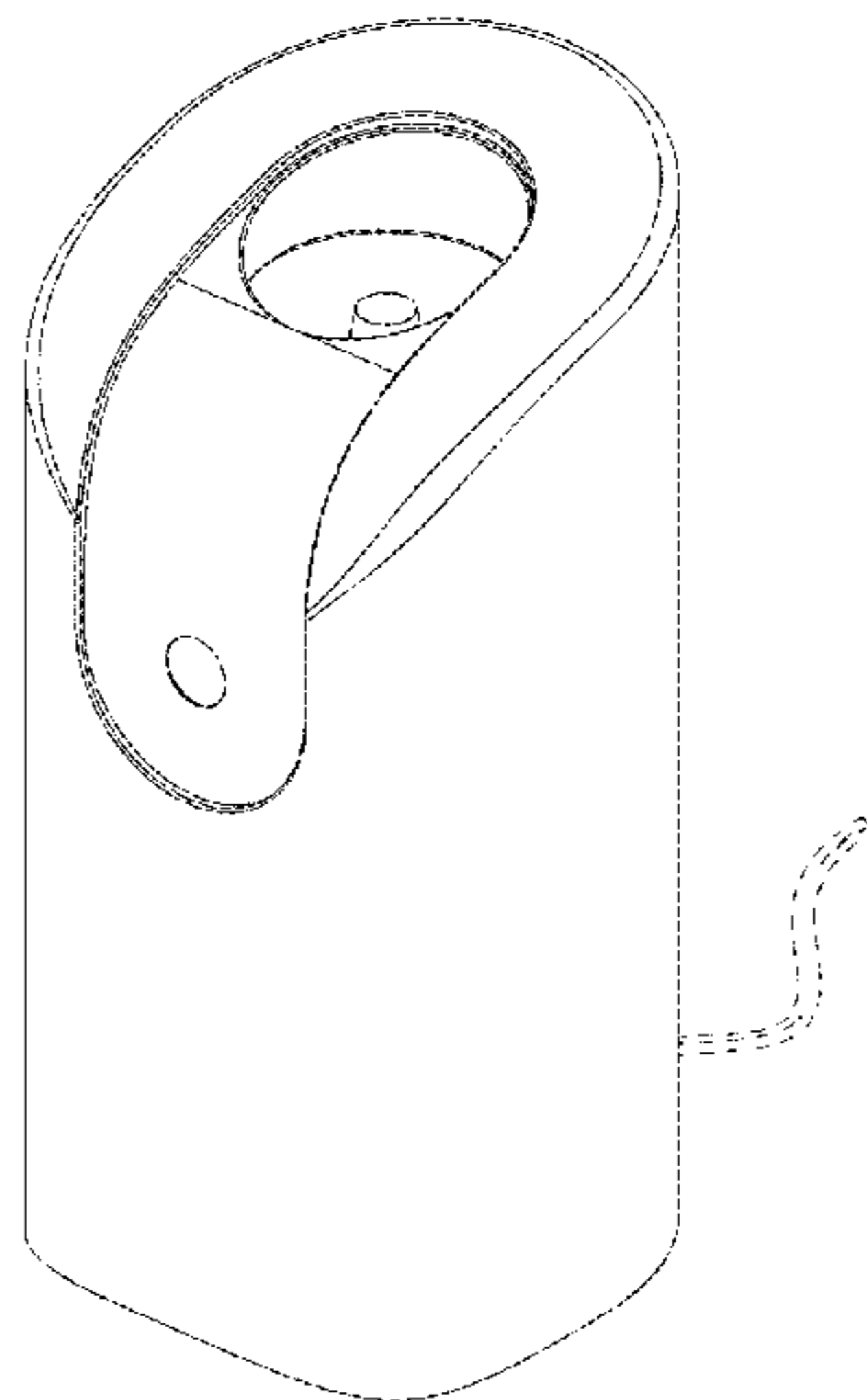
FIG. 18 is a left side view of the second embodiment of the present invention;

FIG. 19 is a reduced top view of the second embodiment of the present invention, showing the sliding door closed; and,

FIG. 20 is a reduced top view of the second embodiment of the present invention, showing the sliding door open.

The broken lines are illustrative of environmental structure only and form no part of the claimed design.

1 Claim, 20 Drawing Sheets



(58) **Field of Classification Search**

USPC D9/435, 436, 447, 449, 450, 520; D32/1;
D28/73
CPC ... A61L 2/025; A61L 2/04; A61L 2/07; A61L
2/10; A61L 2/18; A61L 2/24; A61L 2/26;
A61L 2/28; A61L 2202/23; A61L
2202/24; A61L 2202/121; A61L
2202/122; A46B 17/06; B65D 47/28;
B65D 47/286

See application file for complete search history.

(56) **References Cited**

U.S. PATENT DOCUMENTS

D581,106	S	*	11/2008	Prat-Pfister	D32/1
D719,673	S	*	12/2014	Leyva	D24/217
D719,674	S	*	12/2014	Leyva	D24/217
D729,941	S	*	5/2015	Hu	D24/217
D731,707	S	*	6/2015	Grabes	D28/73
D750,895	S	*	3/2016	Jay	D24/217
2004/0181887	A1	*	9/2004	Smith	A46B 17/06 15/38
2014/0301900	A1	*	10/2014	Germano	A61L 2/07 422/114
2015/0190537	A1	*	7/2015	Kerr	A61L 2/10 134/1

* cited by examiner

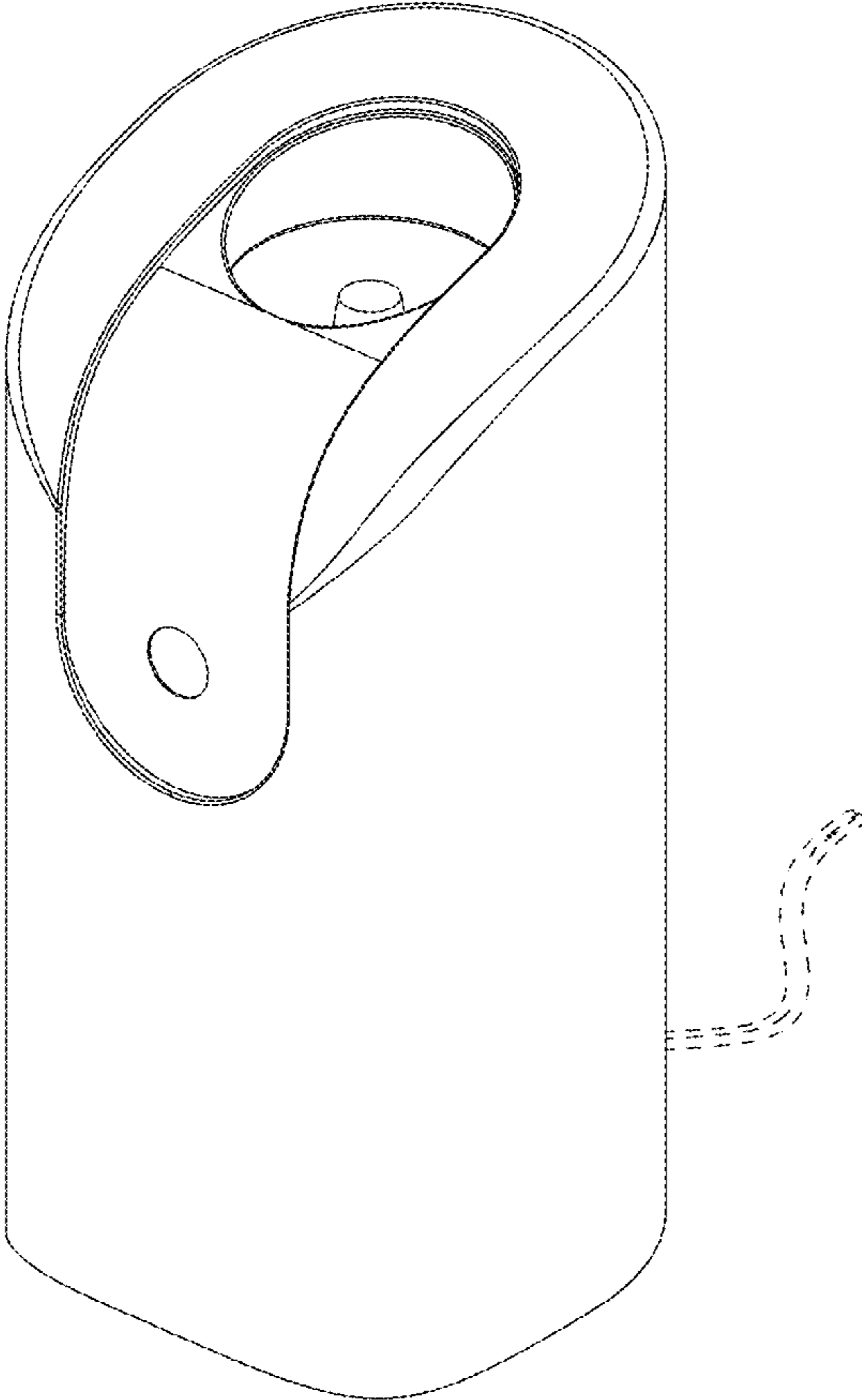


FIG. 1

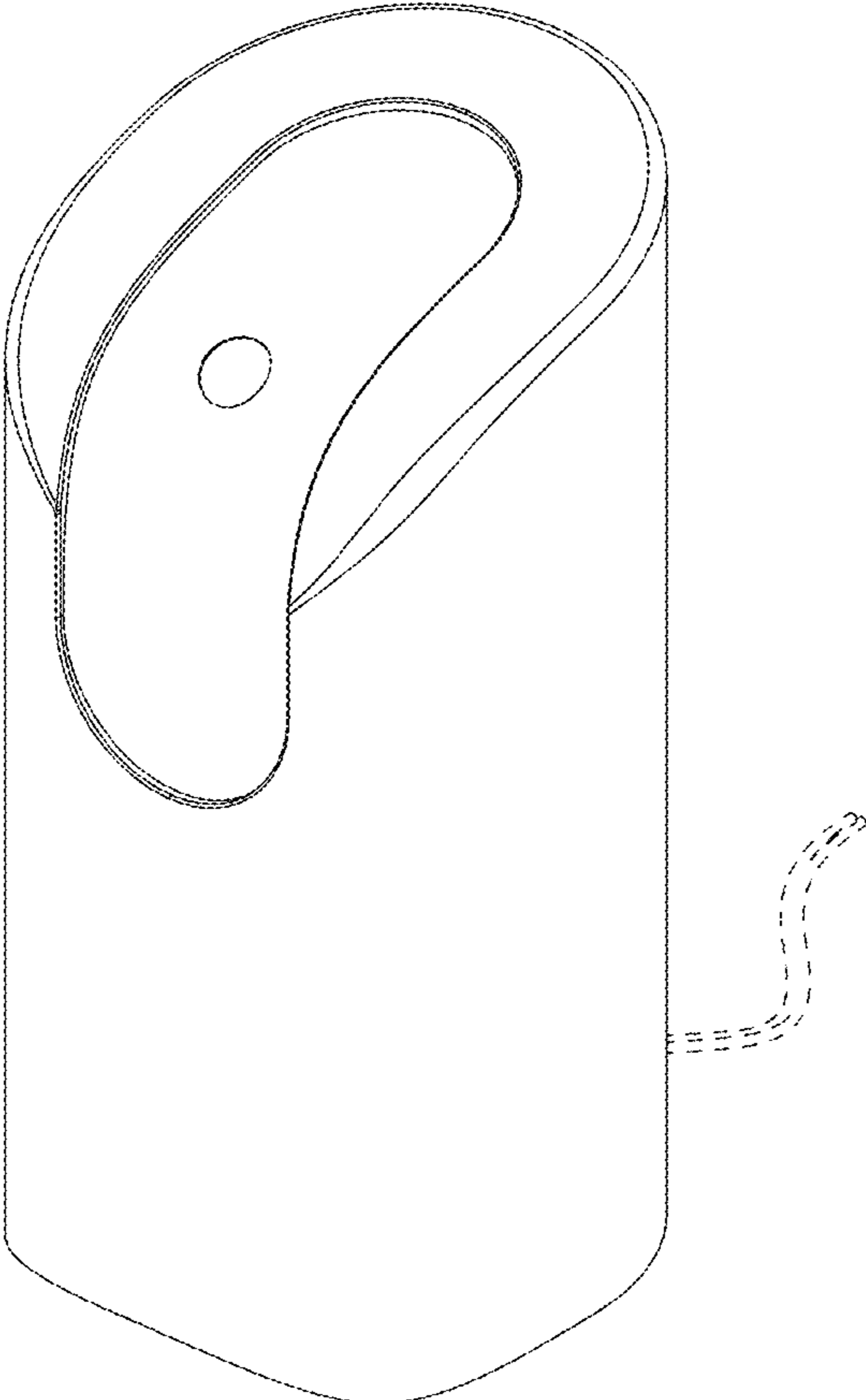


FIG. 2

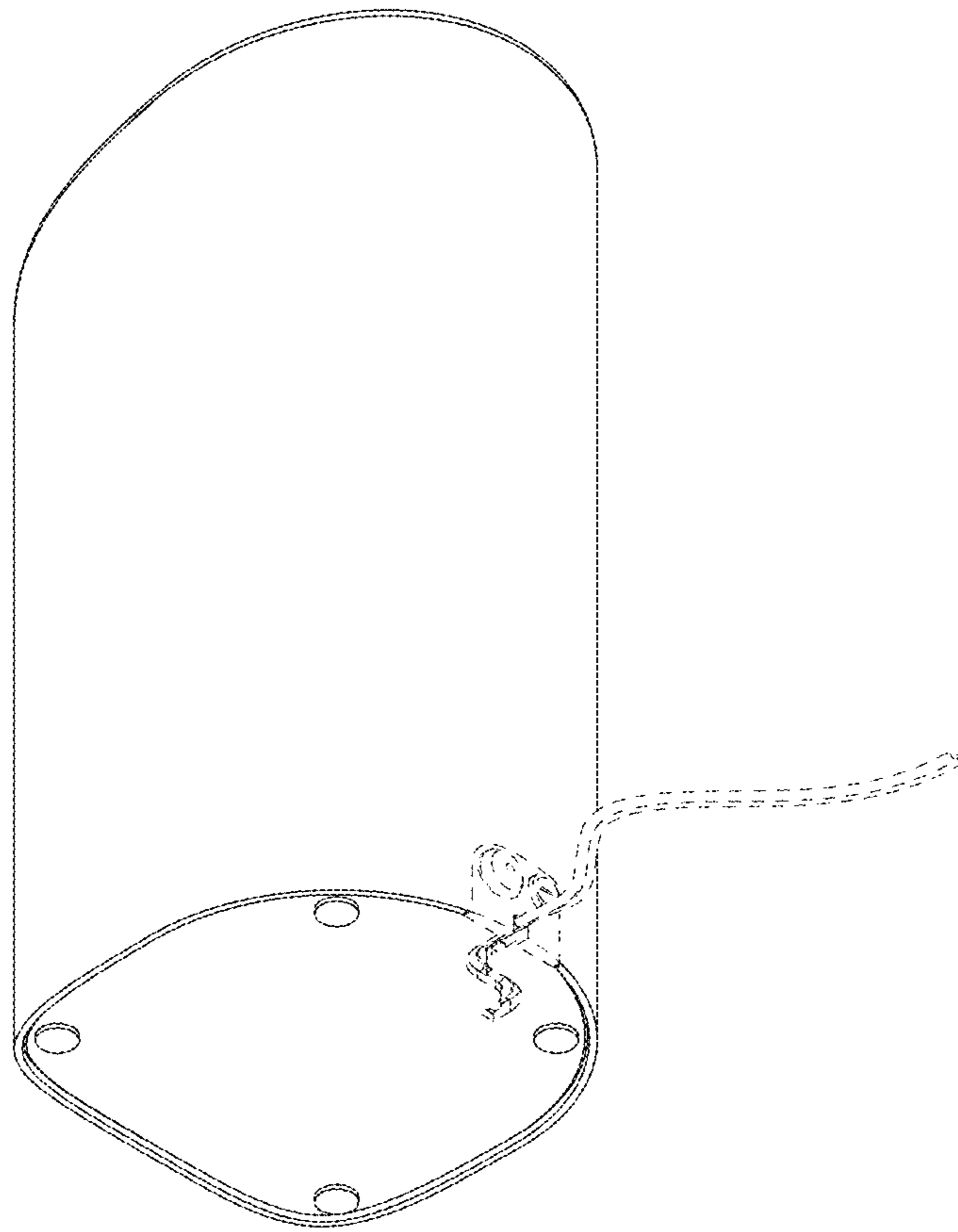


FIG. 3

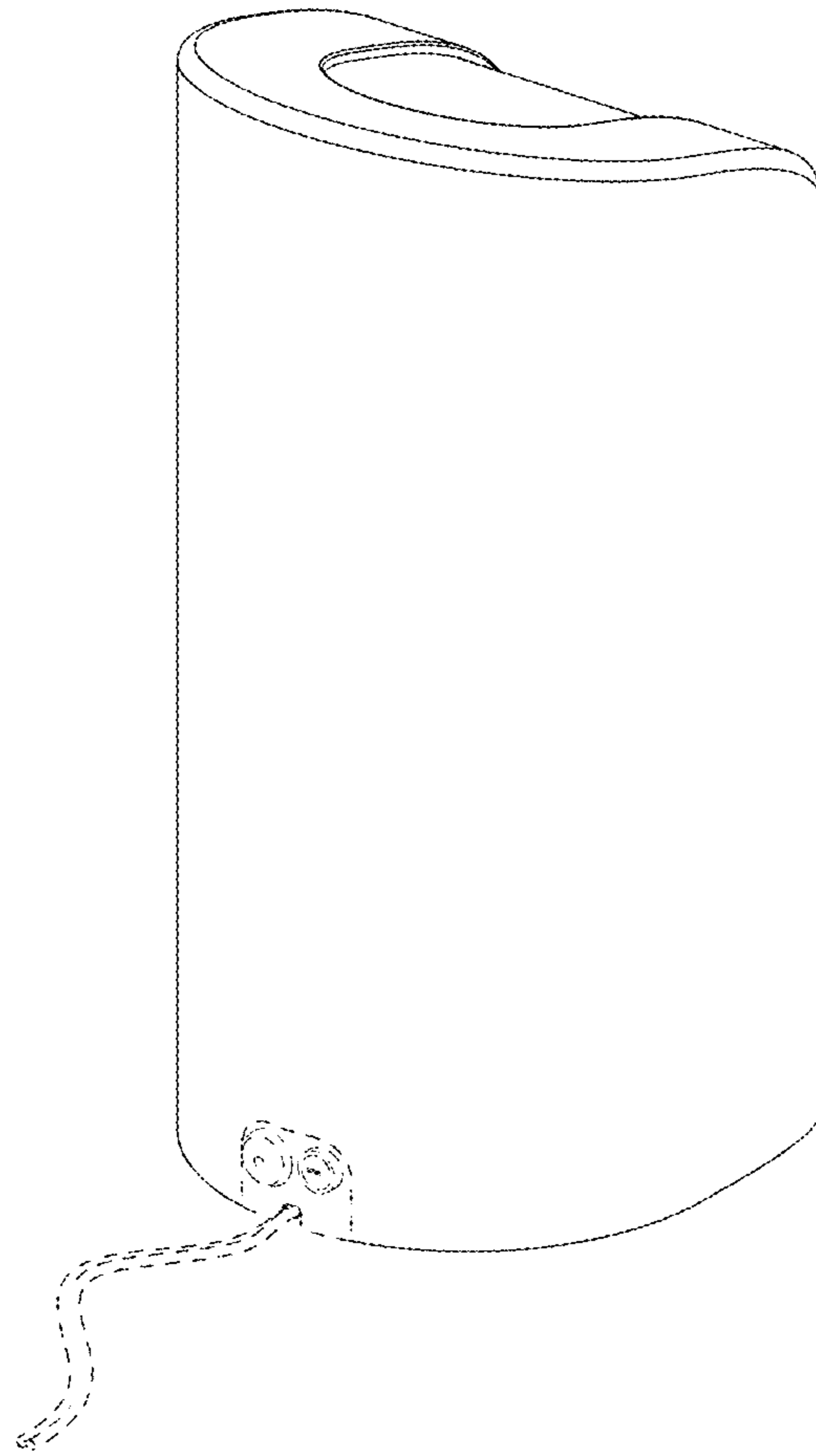


FIG. 4

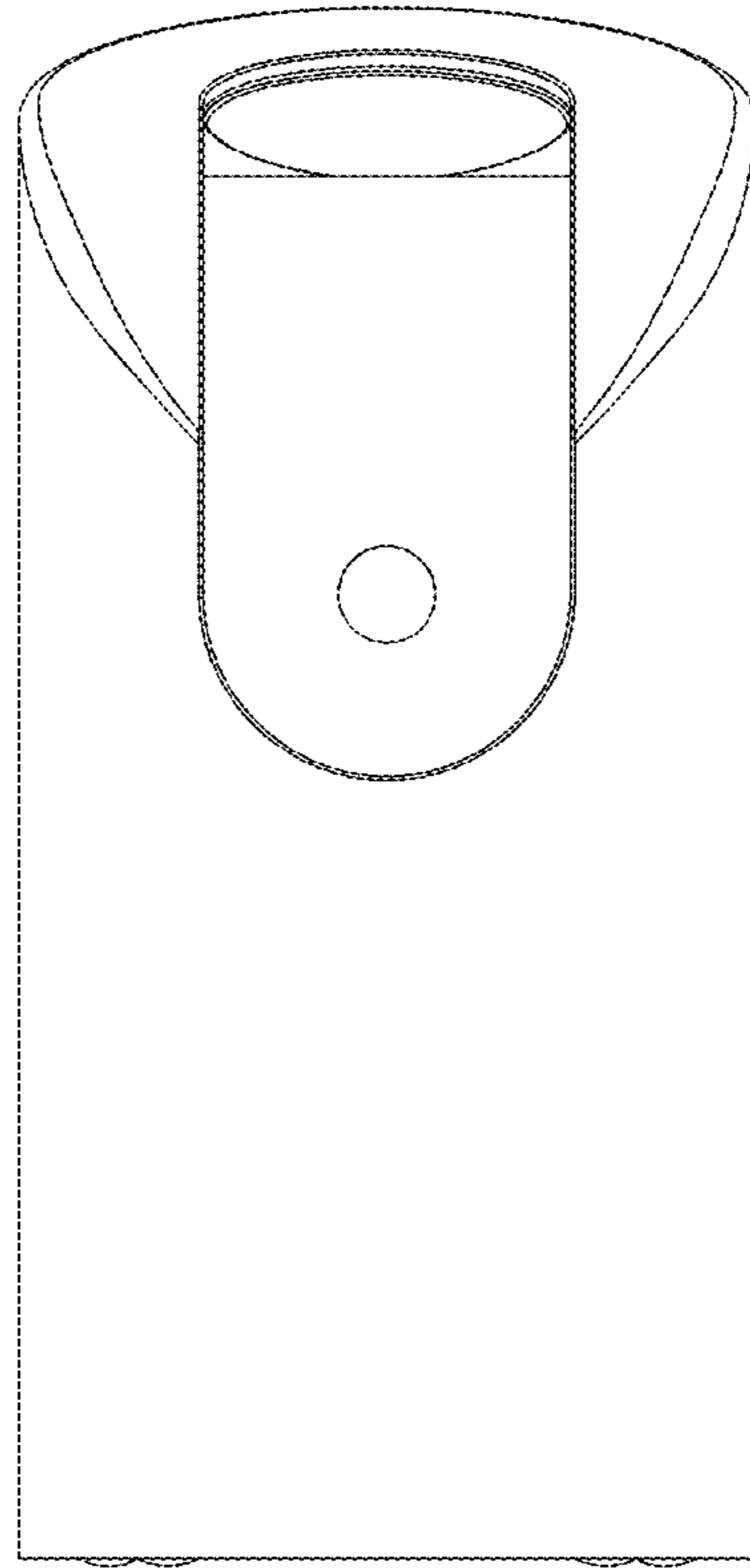


FIG. 5

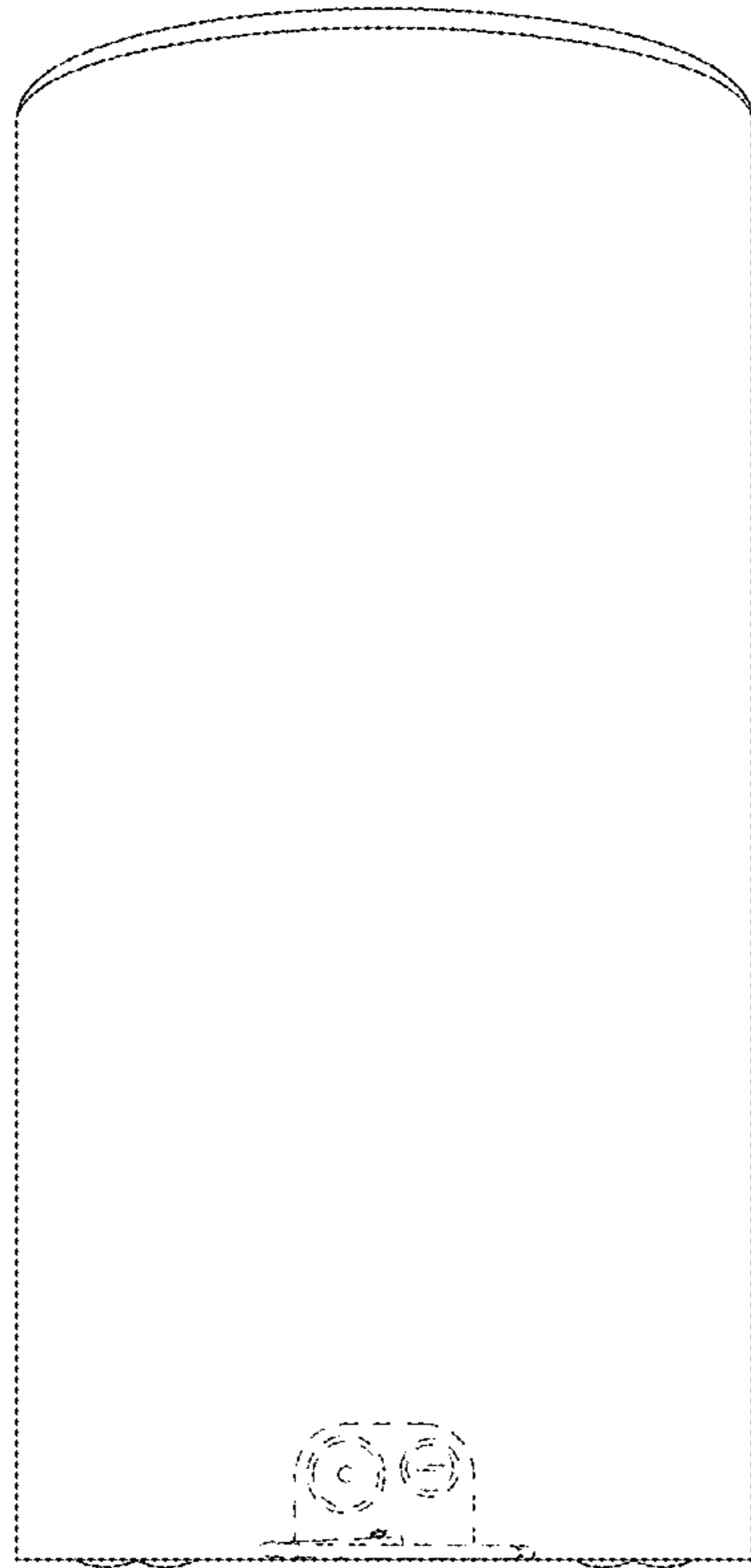


FIG. 6

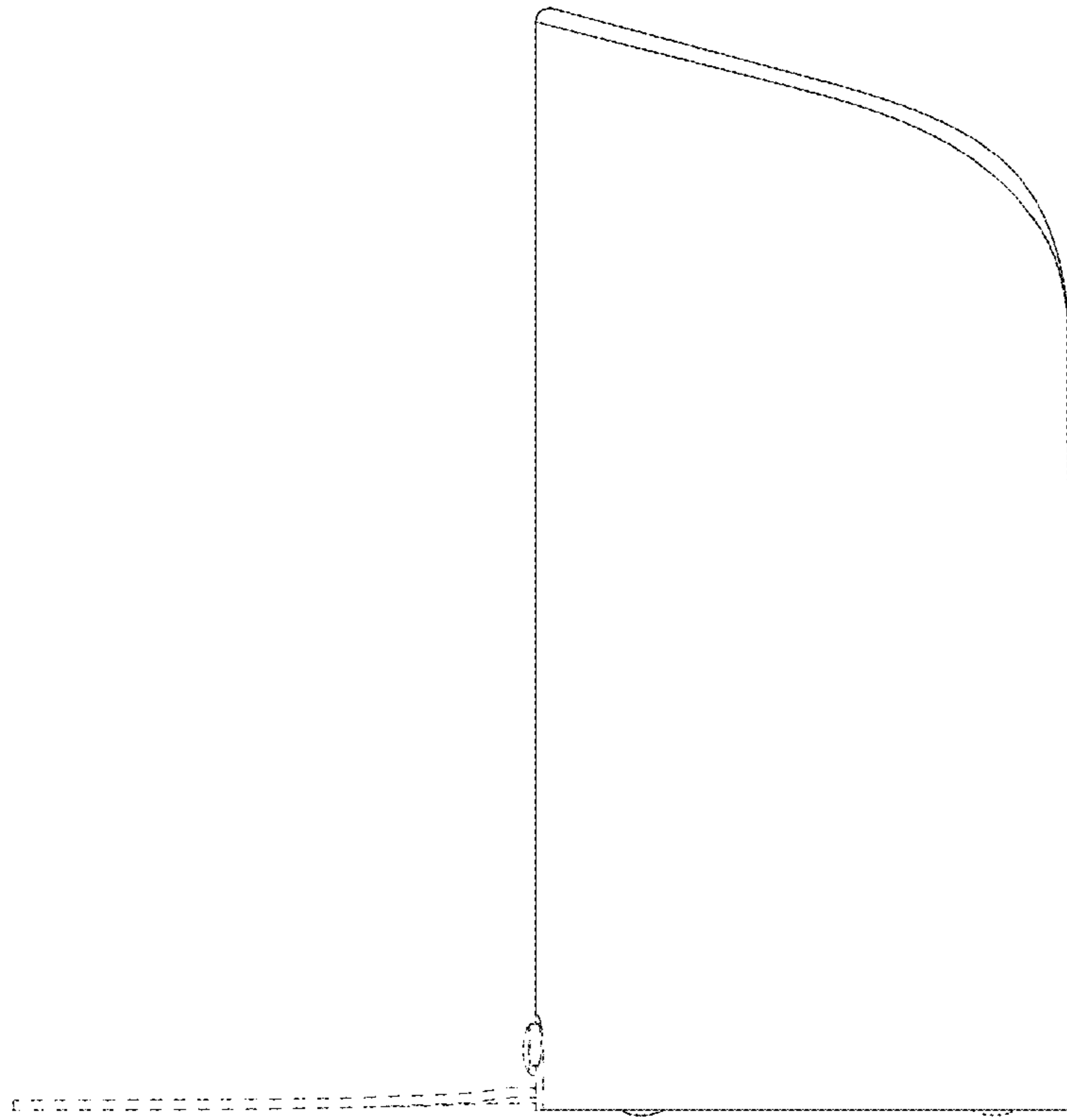


FIG. 7

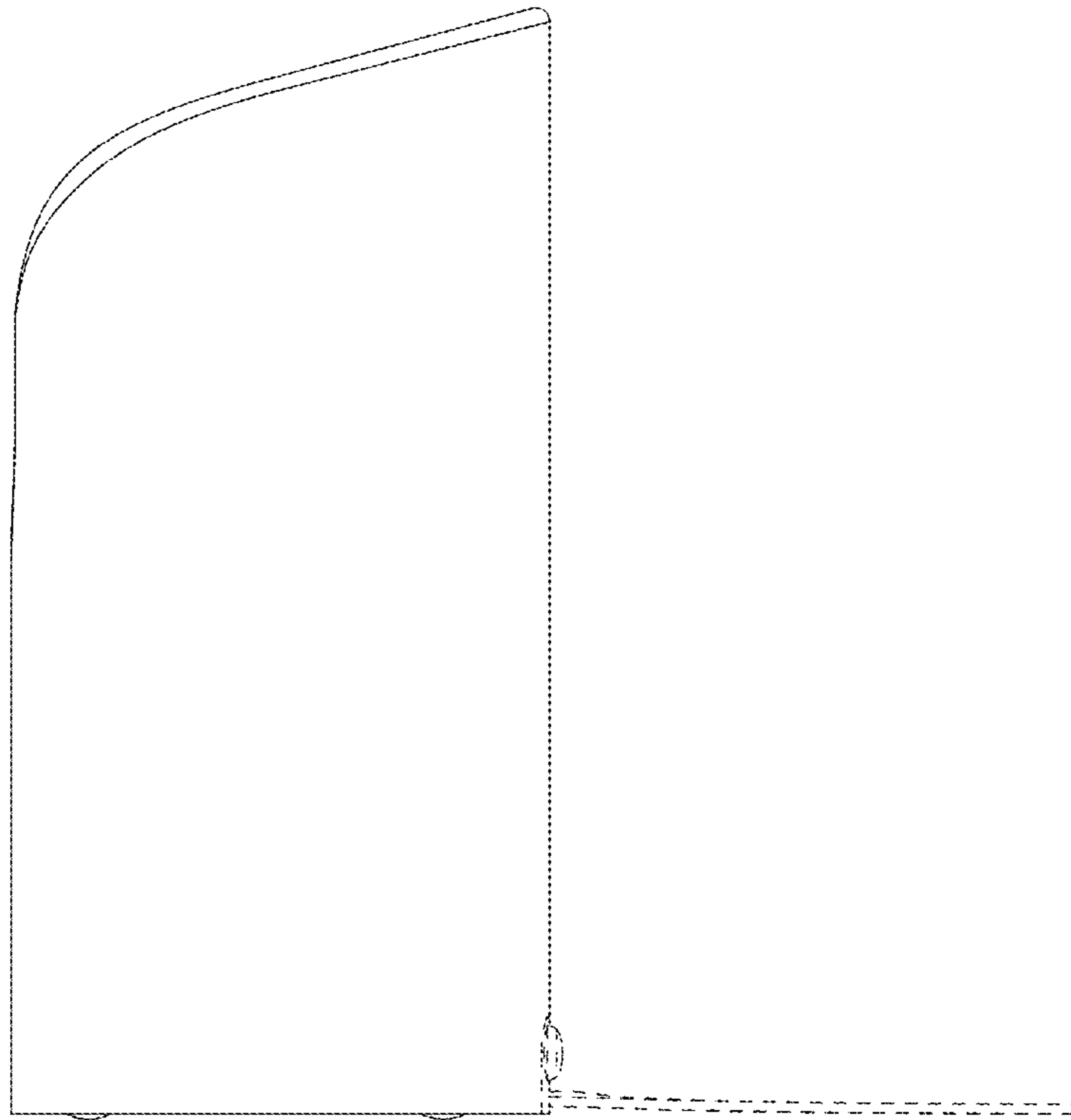


FIG. 8

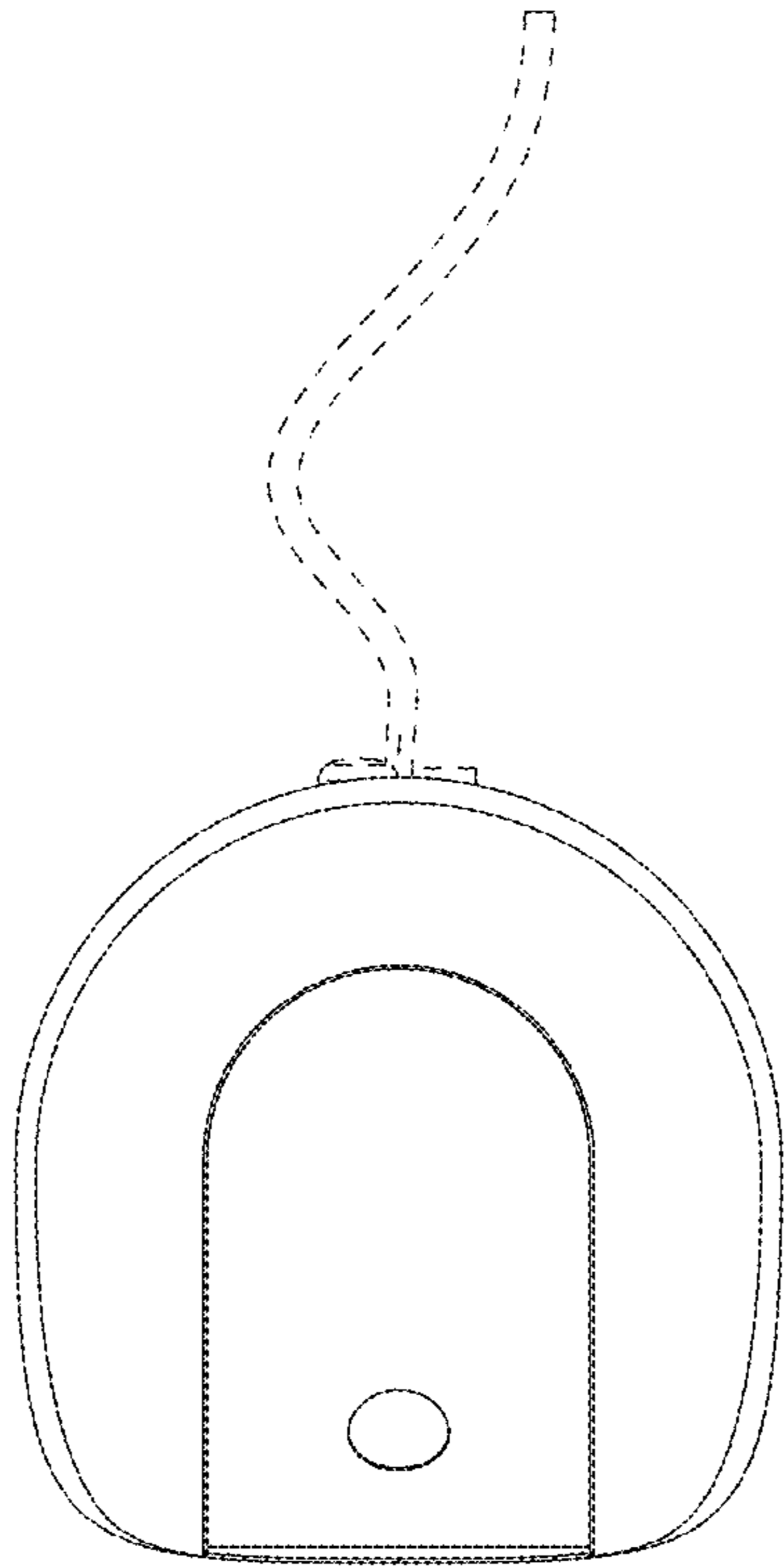


FIG. 9

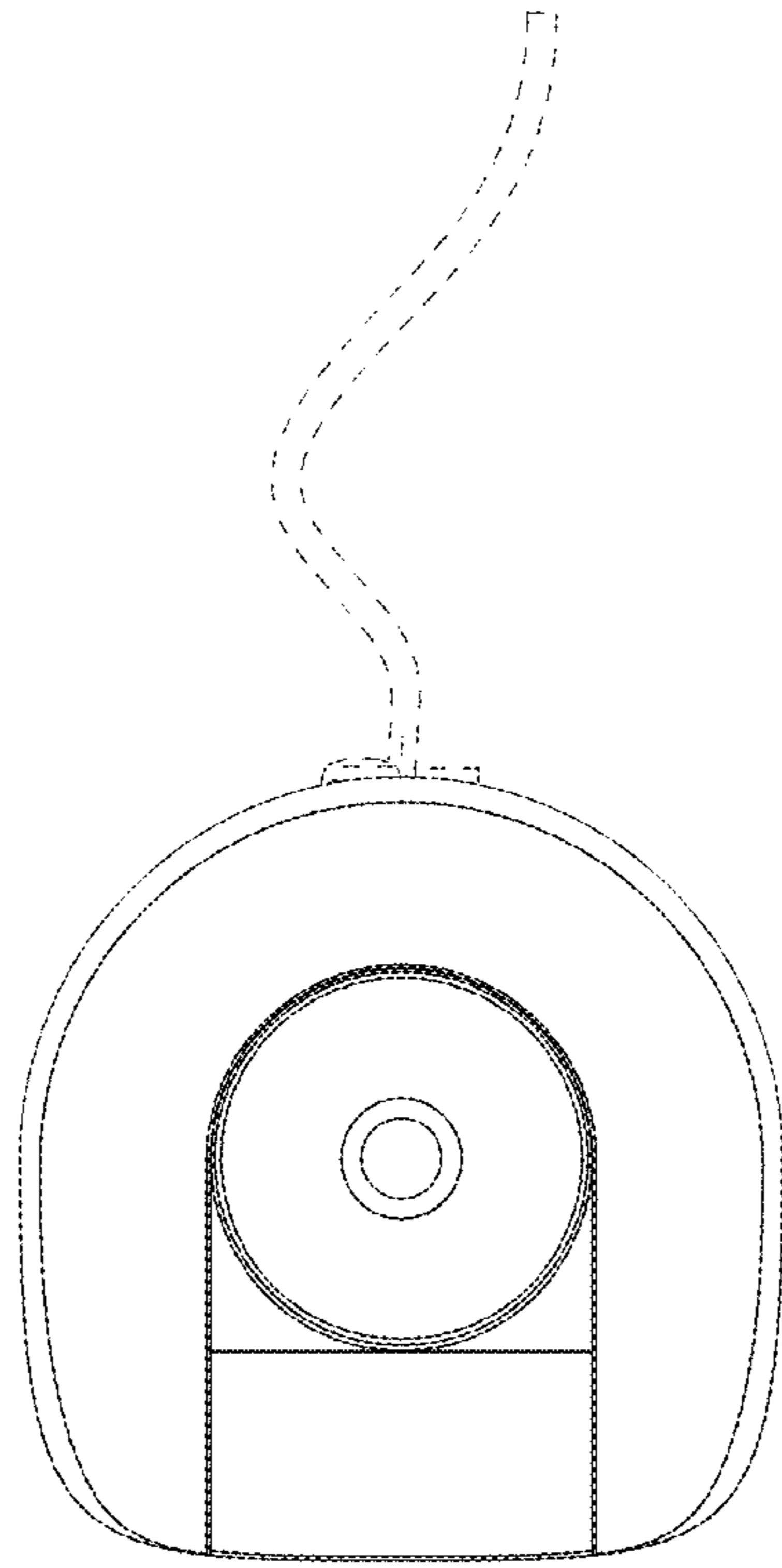


FIG. 10

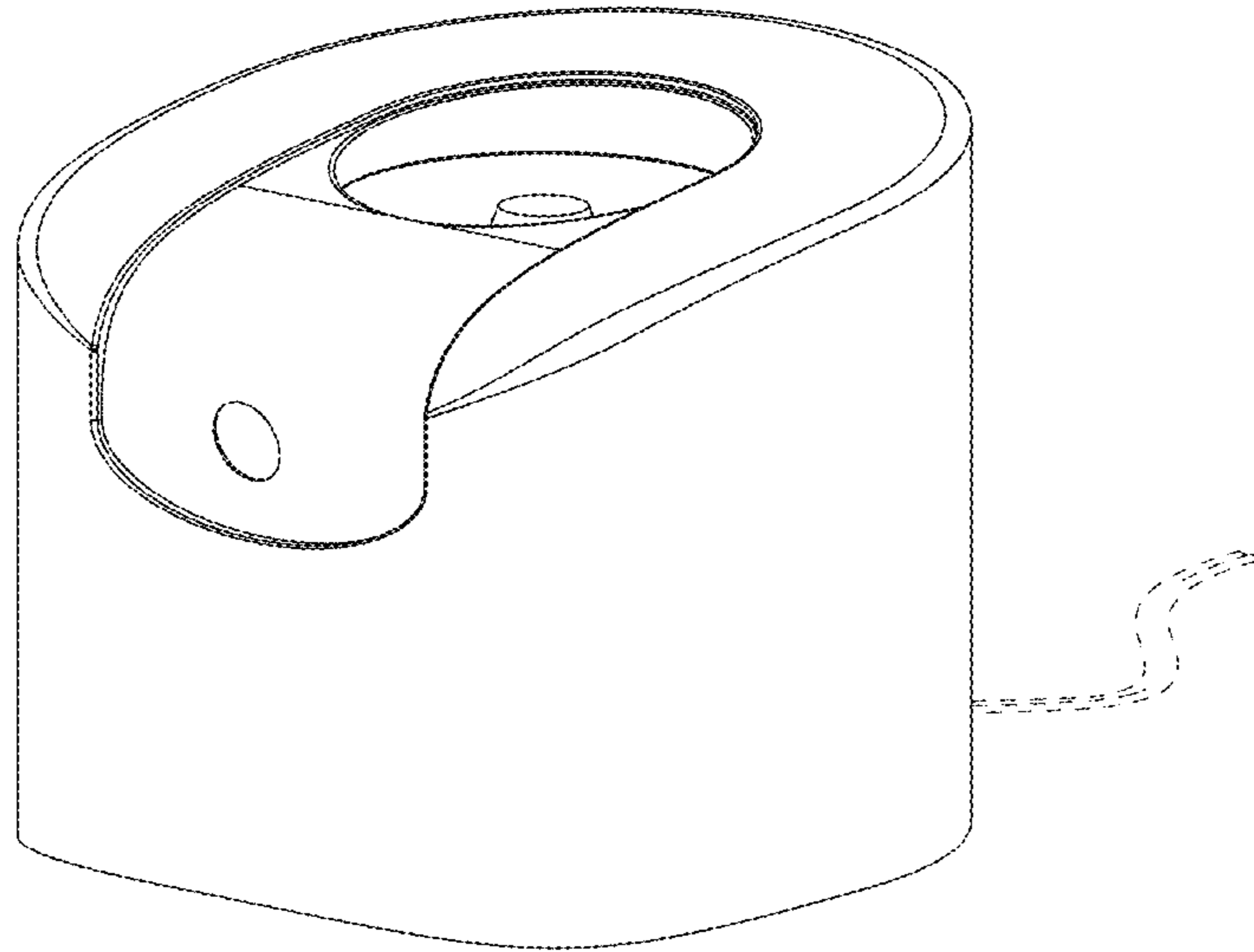


FIG. 11

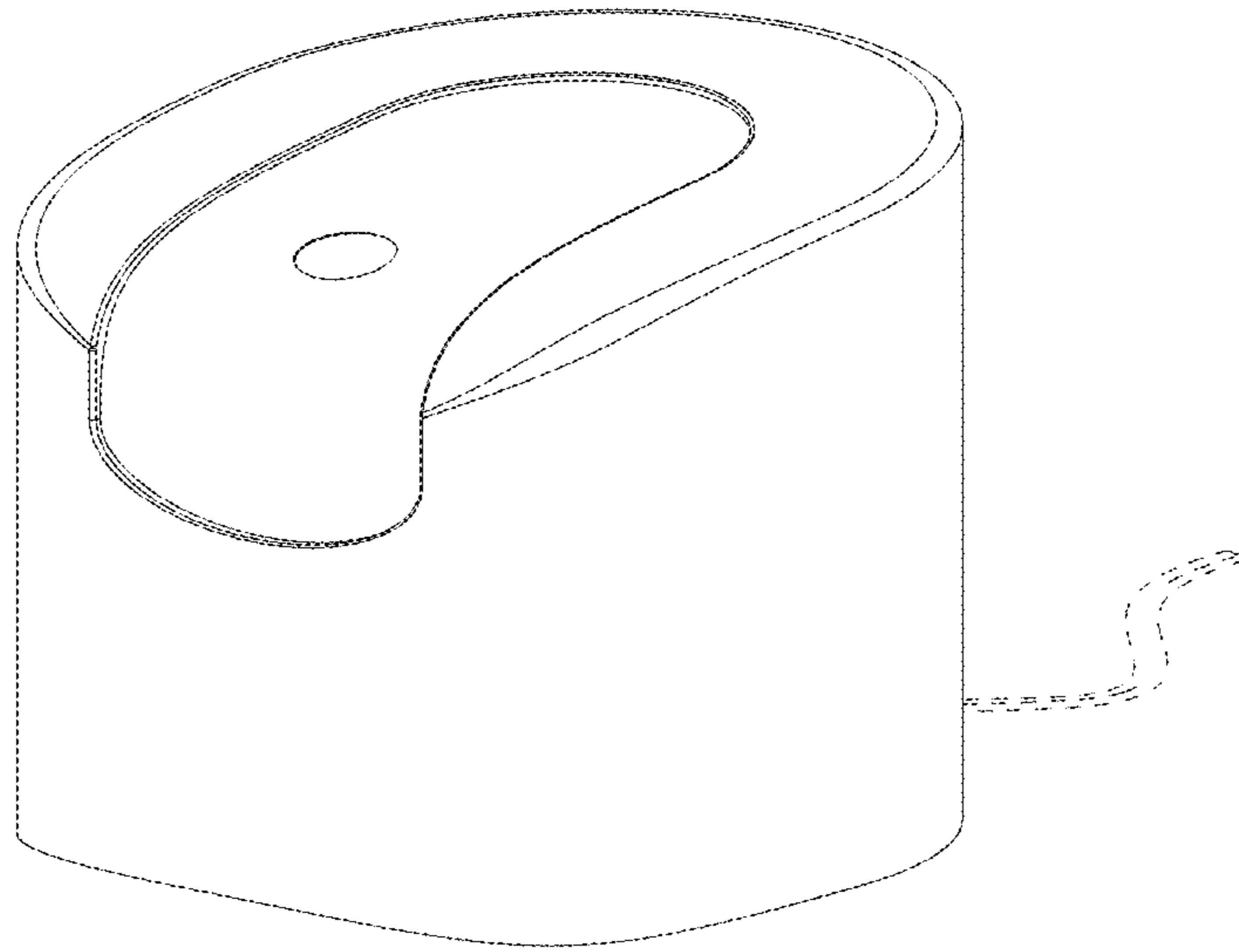


FIG. 12

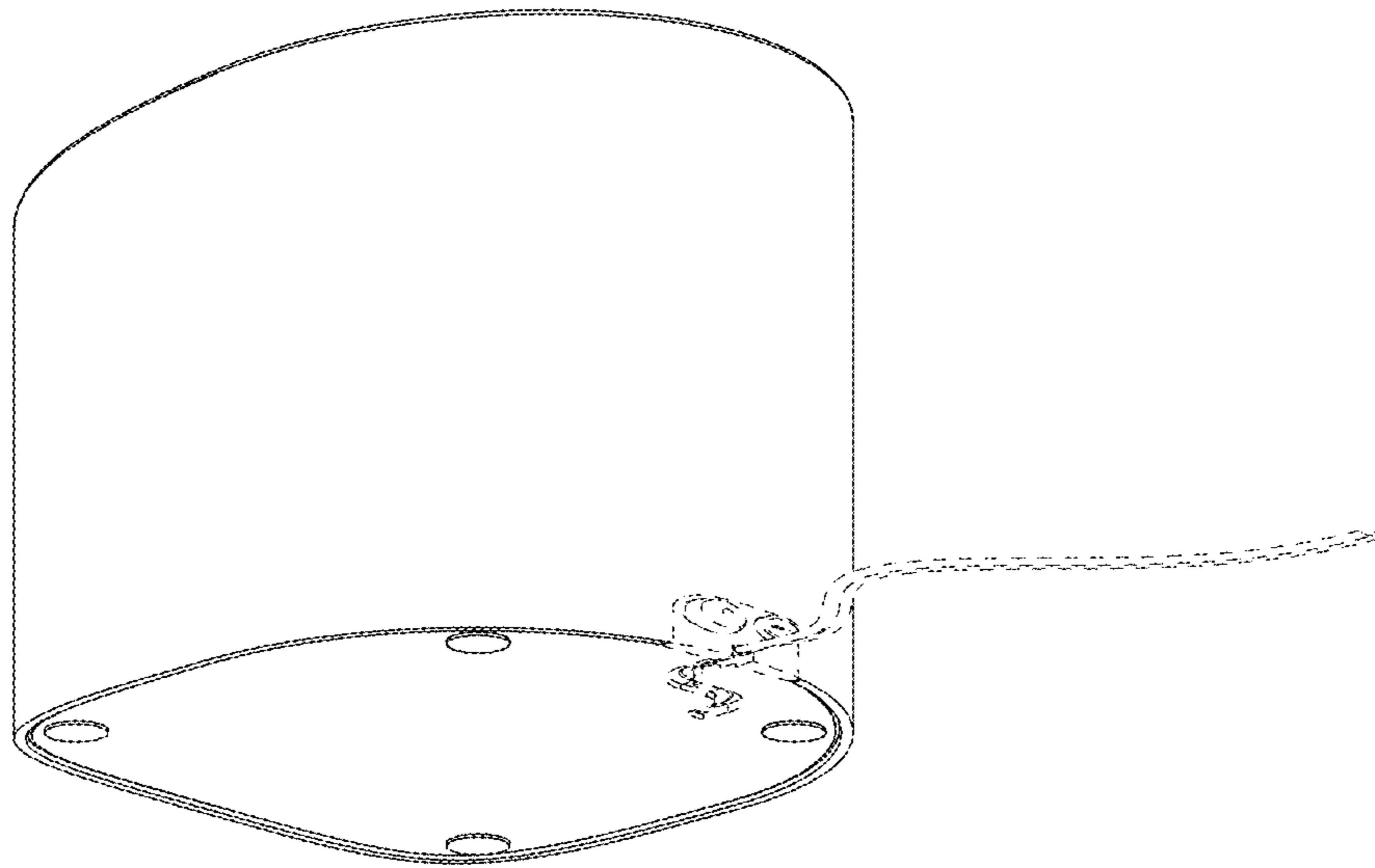


FIG. 13

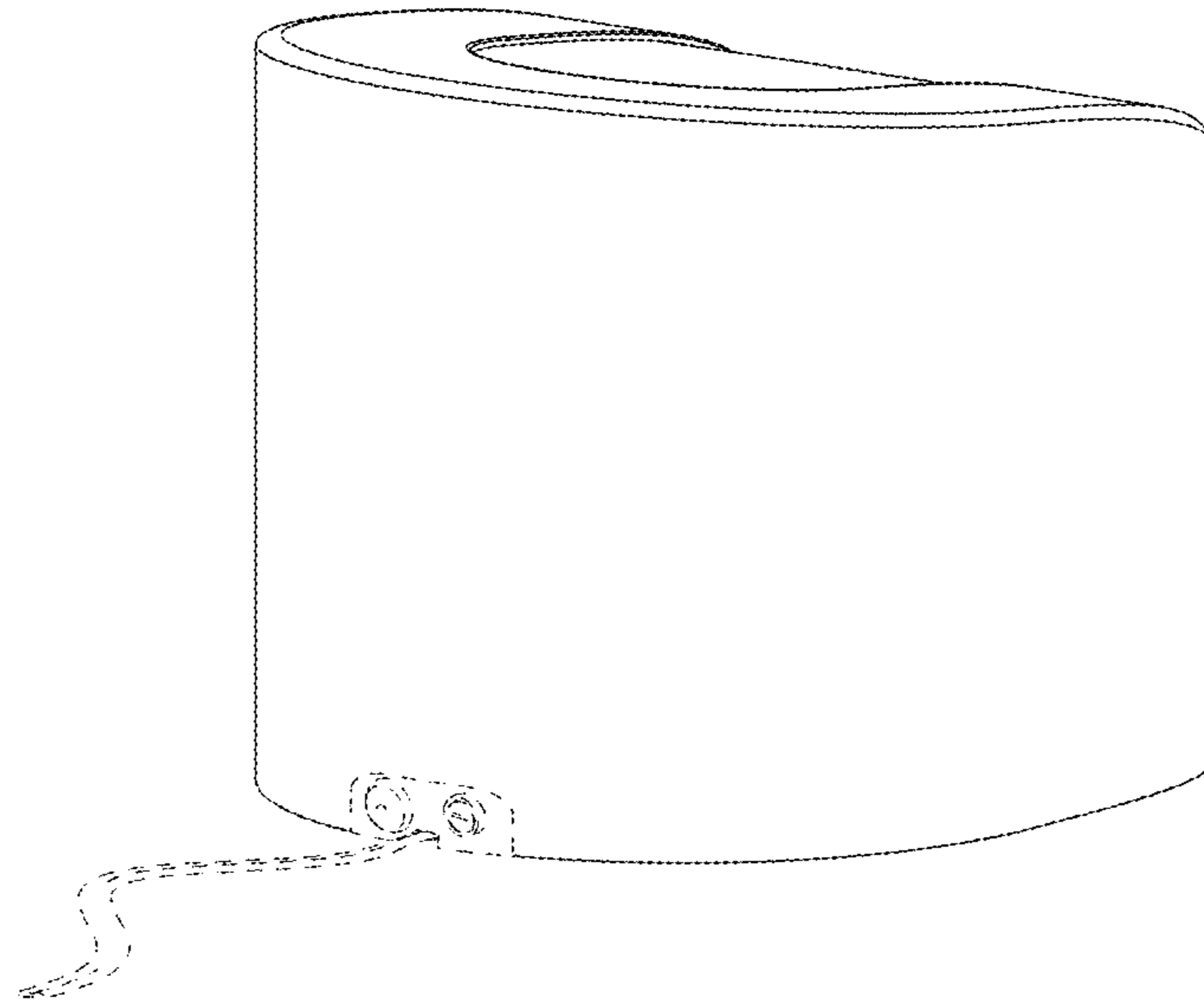


FIG. 14

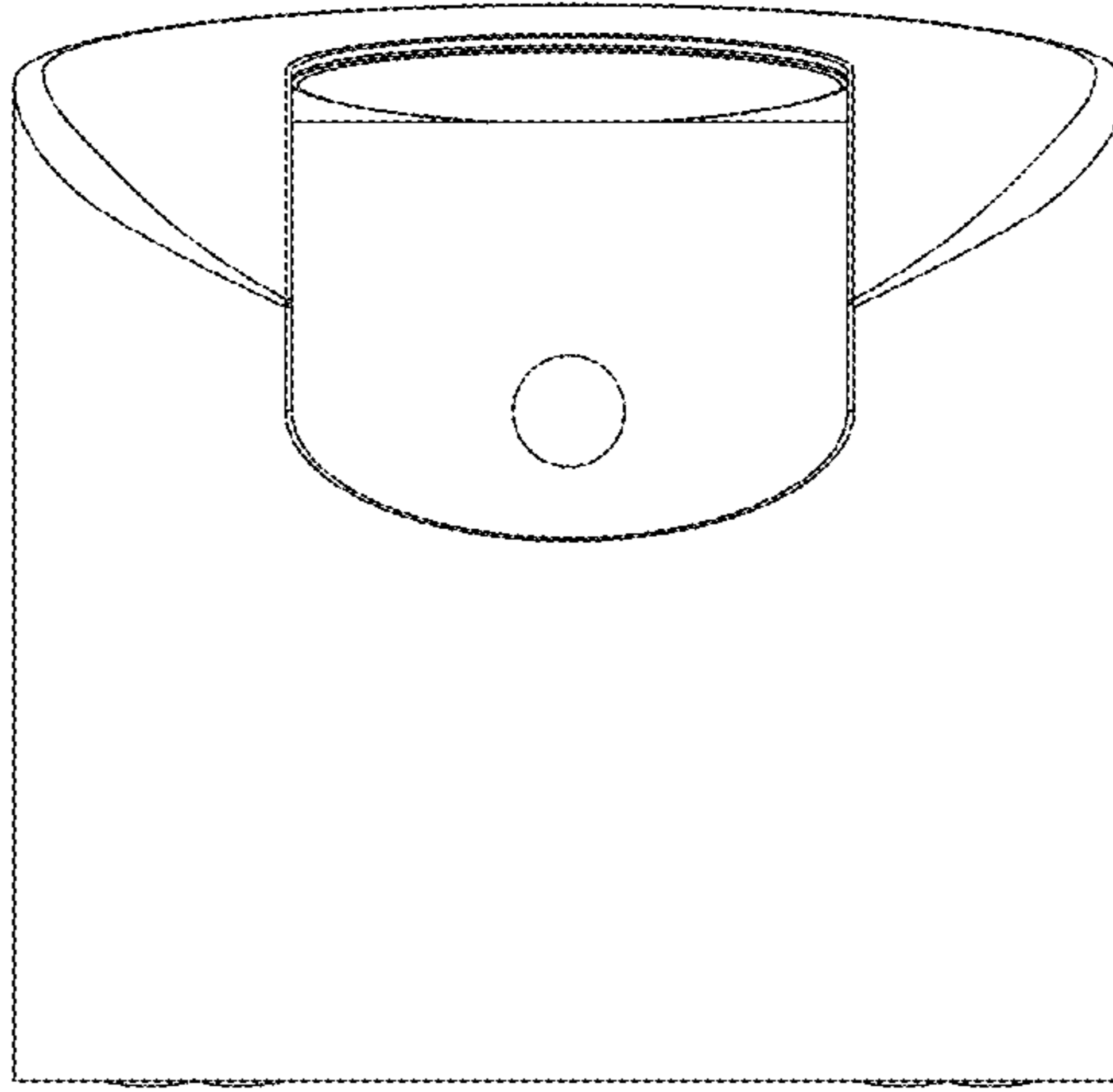


FIG. 15

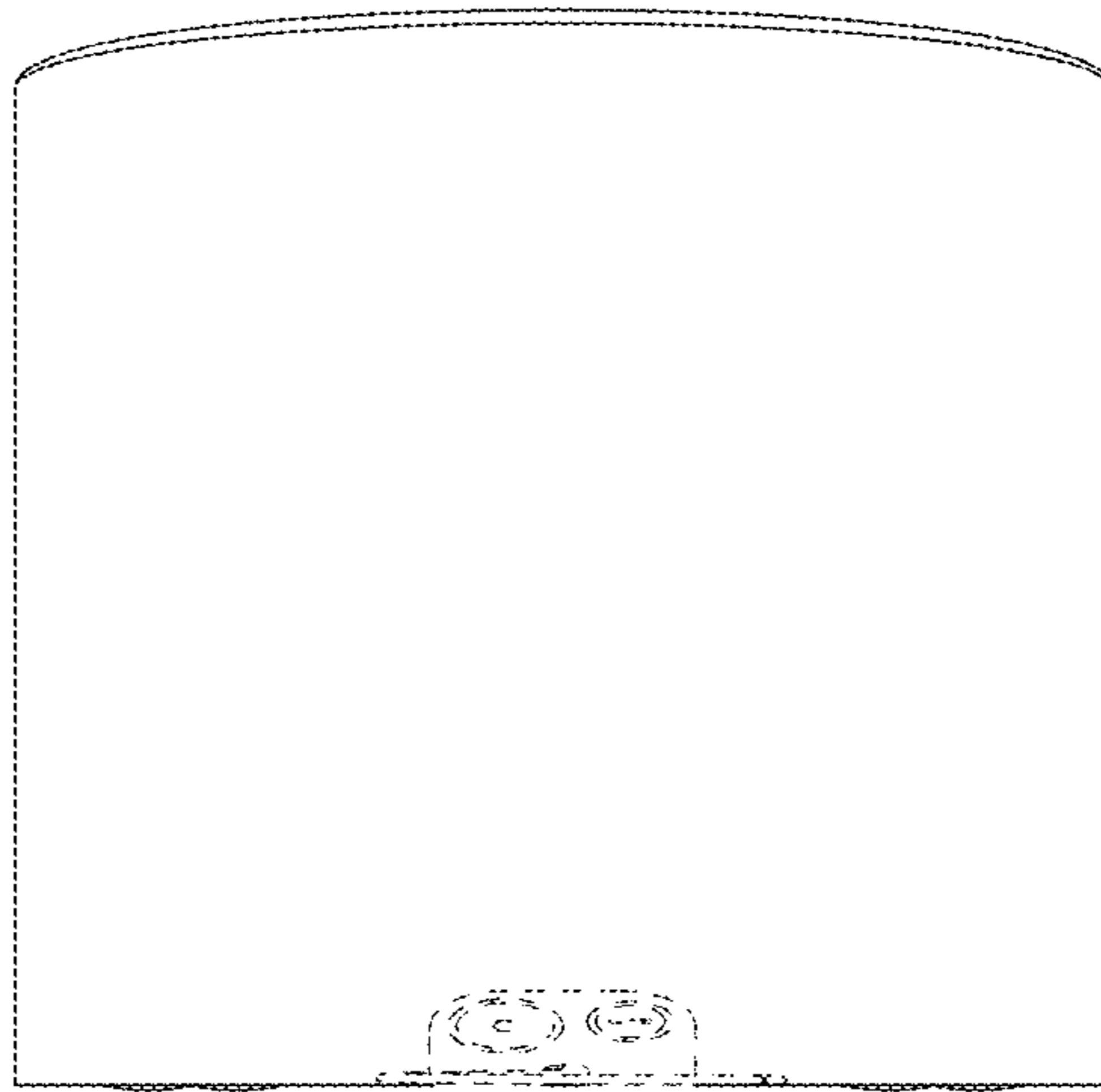


FIG. 16

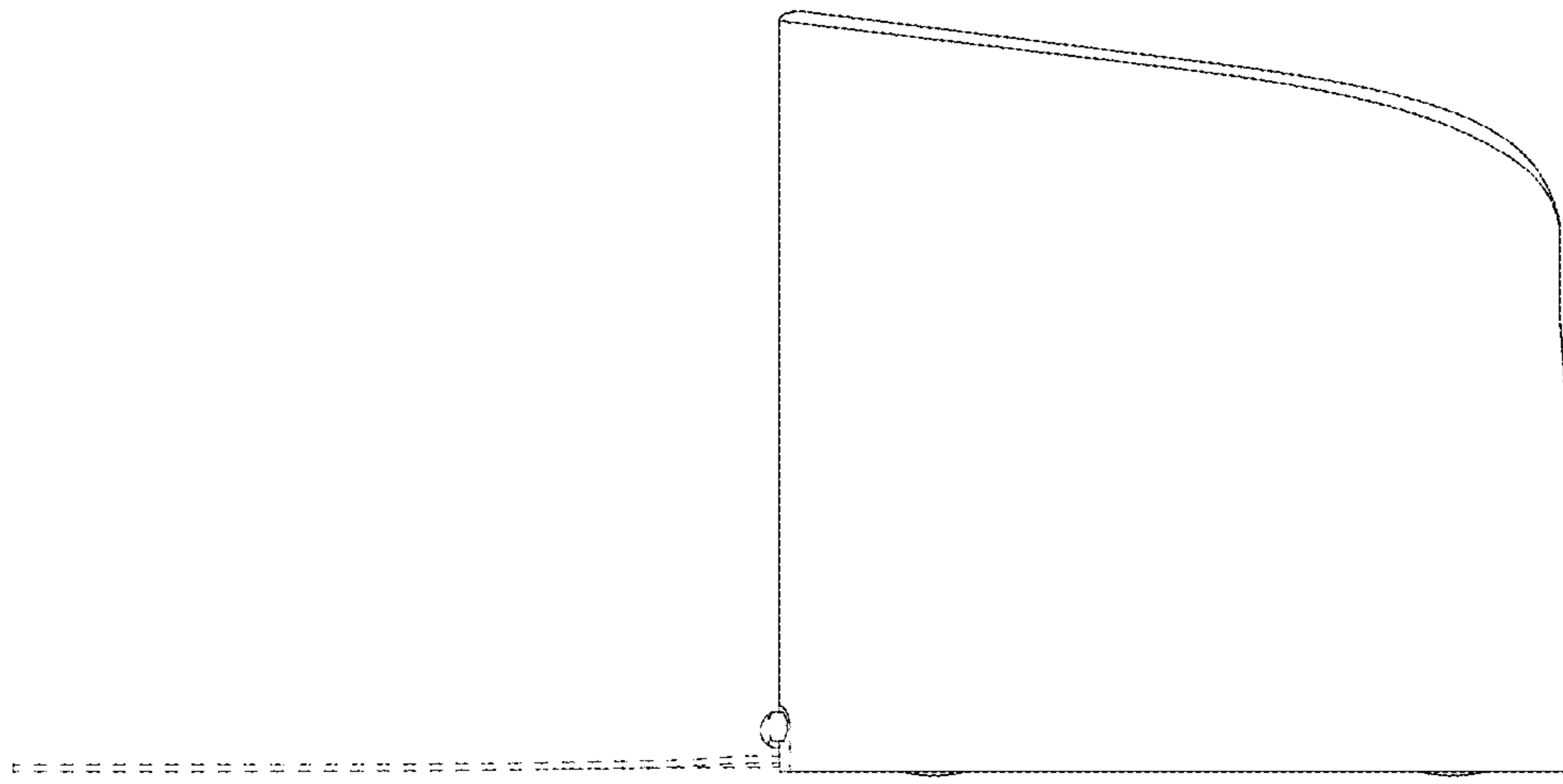


FIG. 17

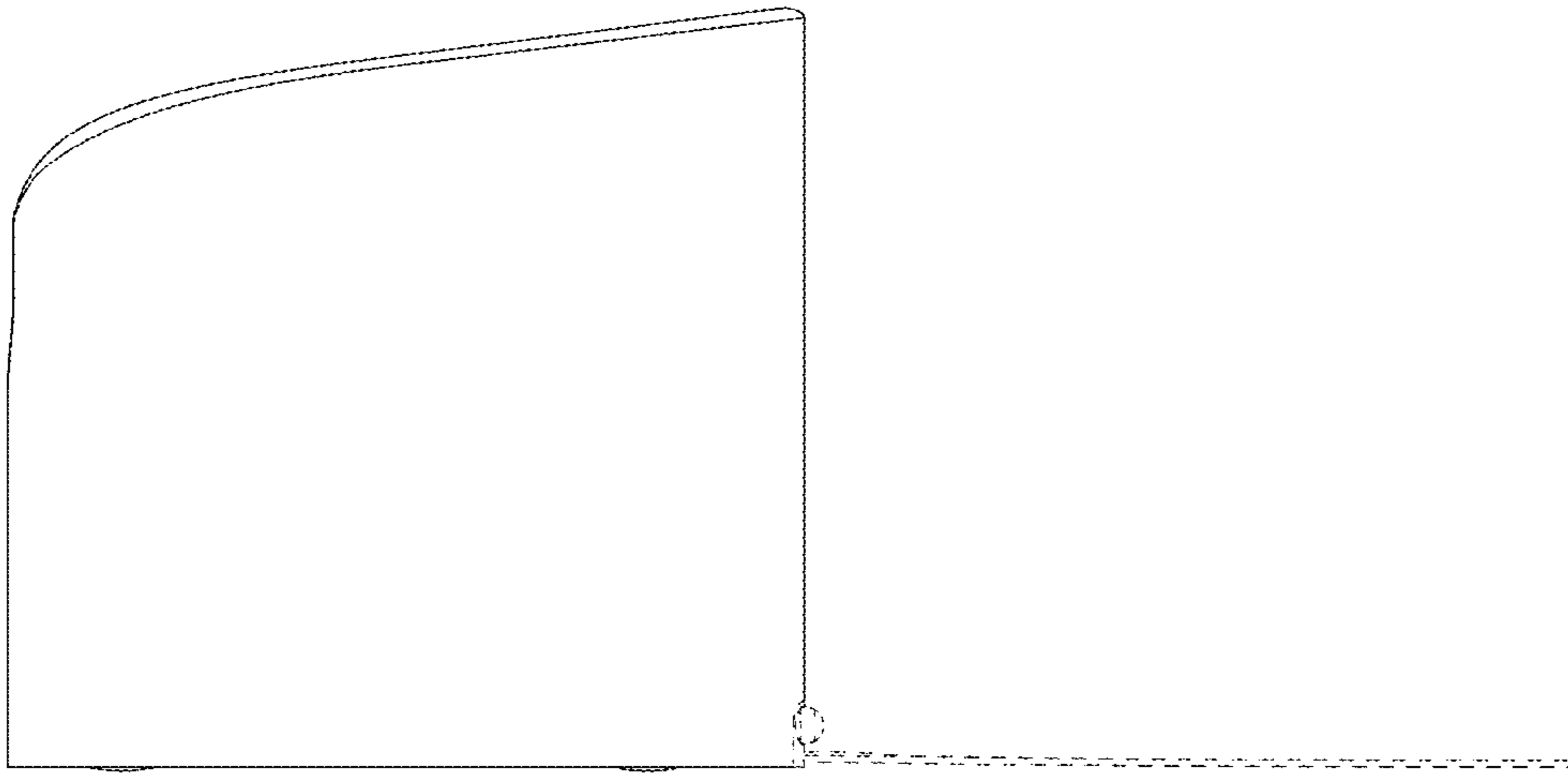


FIG. 18

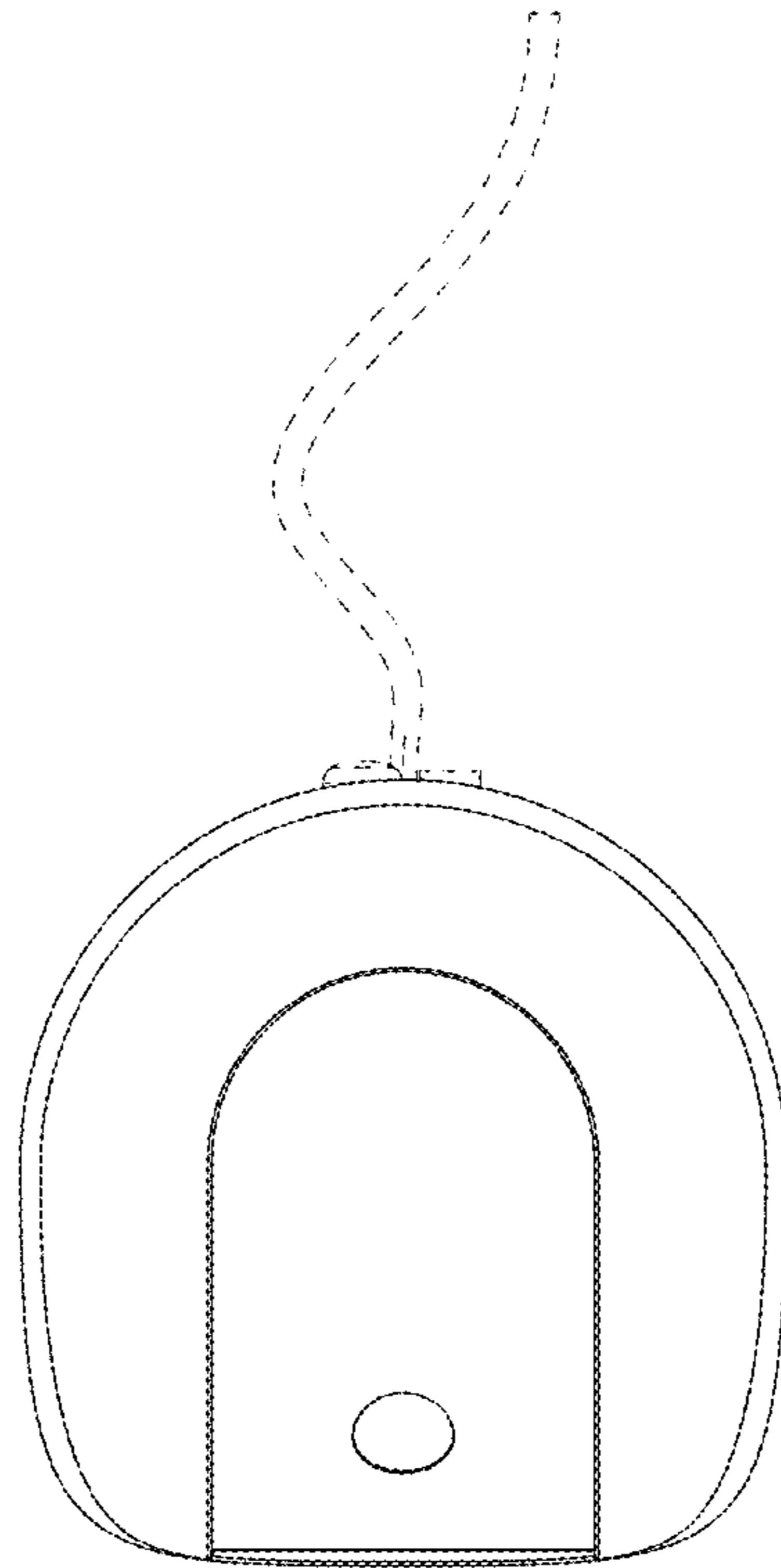


FIG. 19

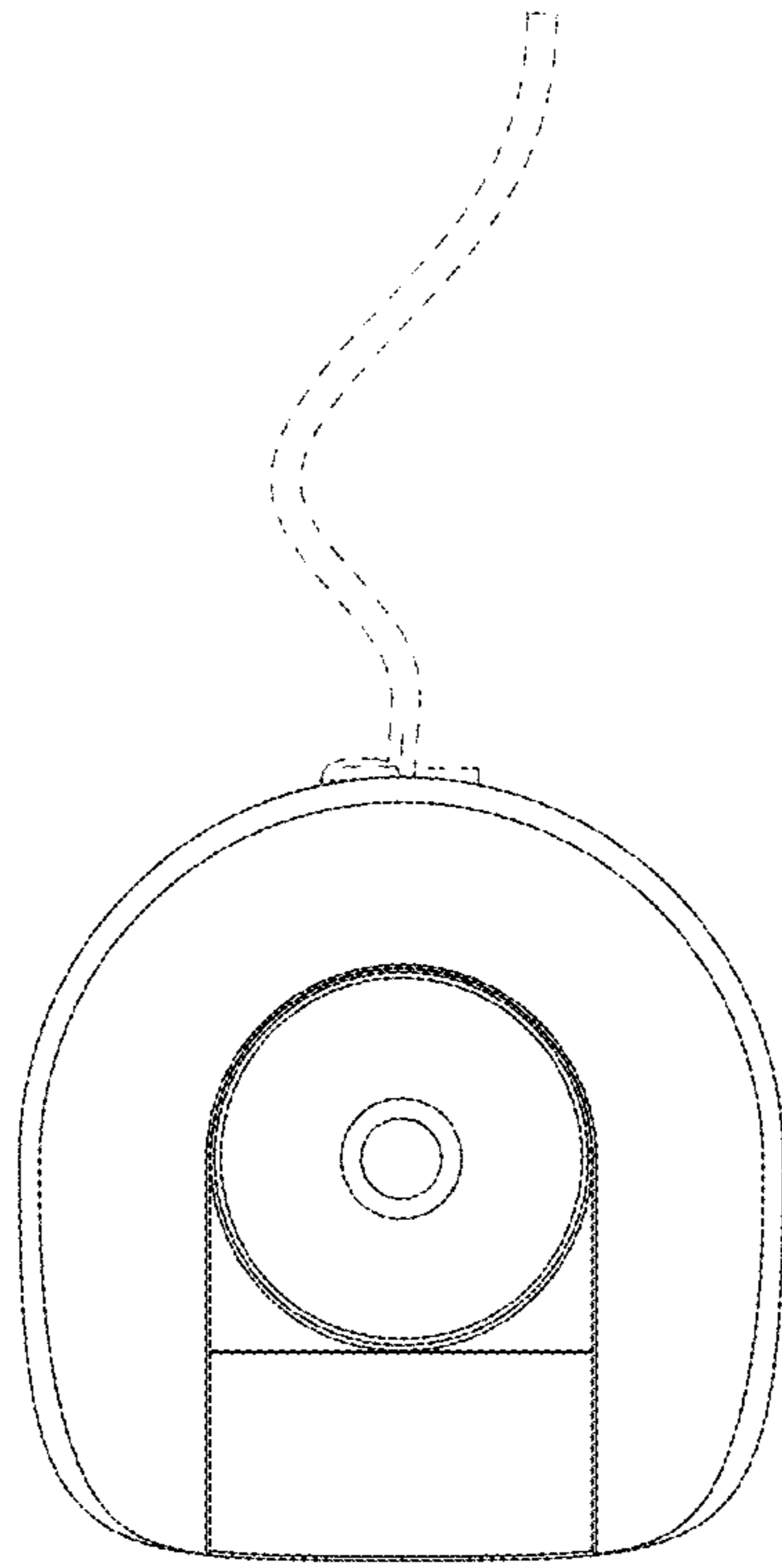


FIG. 20