



US00D815294S

(12) **United States Design Patent**
Bartolotta

(10) **Patent No.:** **US D815,294 S**
(45) **Date of Patent:** **** Apr. 10, 2018**

(54) **KNEE PILLOW**

(71) Applicant: **Nicolas Andrew Bartolotta**, Venice, CA (US)

(72) Inventor: **Nicolas Andrew Bartolotta**, Venice, CA (US)

(**) Term: **15 Years**

(21) Appl. No.: **29/565,538**

(22) Filed: **May 21, 2016**

(51) **LOC (11) Cl.** **24-01**

(52) **U.S. Cl.**
USPC **D24/190**

(58) **Field of Classification Search**
USPC D24/183, 190; D6/601
CPC A47G 9/10; A47G 2009/1018; A47G 9/1045; A47G 9/1054; A47G 9/1009
See application file for complete search history.

(56) **References Cited**

U.S. PATENT DOCUMENTS

D447,568 S *	9/2001	Hall	D24/183
D456,906 S *	5/2002	Graham	5/630
6,931,682 B2 *	8/2005	Kruger, Jr.	A47G 9/10 5/636
D628,298 S *	11/2010	Rubio	D24/183
D706,430 S *	6/2014	Strebeigh	D24/190
D754,990 S *	5/2016	Velasquez	D6/601
D756,687 S *	5/2016	Durkin	D6/601
D771,414 S *	11/2016	Krishtul	D6/601
D771,975 S *	11/2016	Goldfarb Pelletier	D6/601
D775,862 S *	1/2017	Chen	D6/601
2008/0092296 A1 *	4/2008	Guez	A47G 9/10 5/636
2014/0101854 A1 *	4/2014	Watson	A47G 9/1045 5/639

(Continued)

Primary Examiner — George D. Kirschbaum
Assistant Examiner — Jennifer L. Watkins

(74) *Attorney, Agent, or Firm* — Loza & Loza, LLP; Heidi Eisenhut

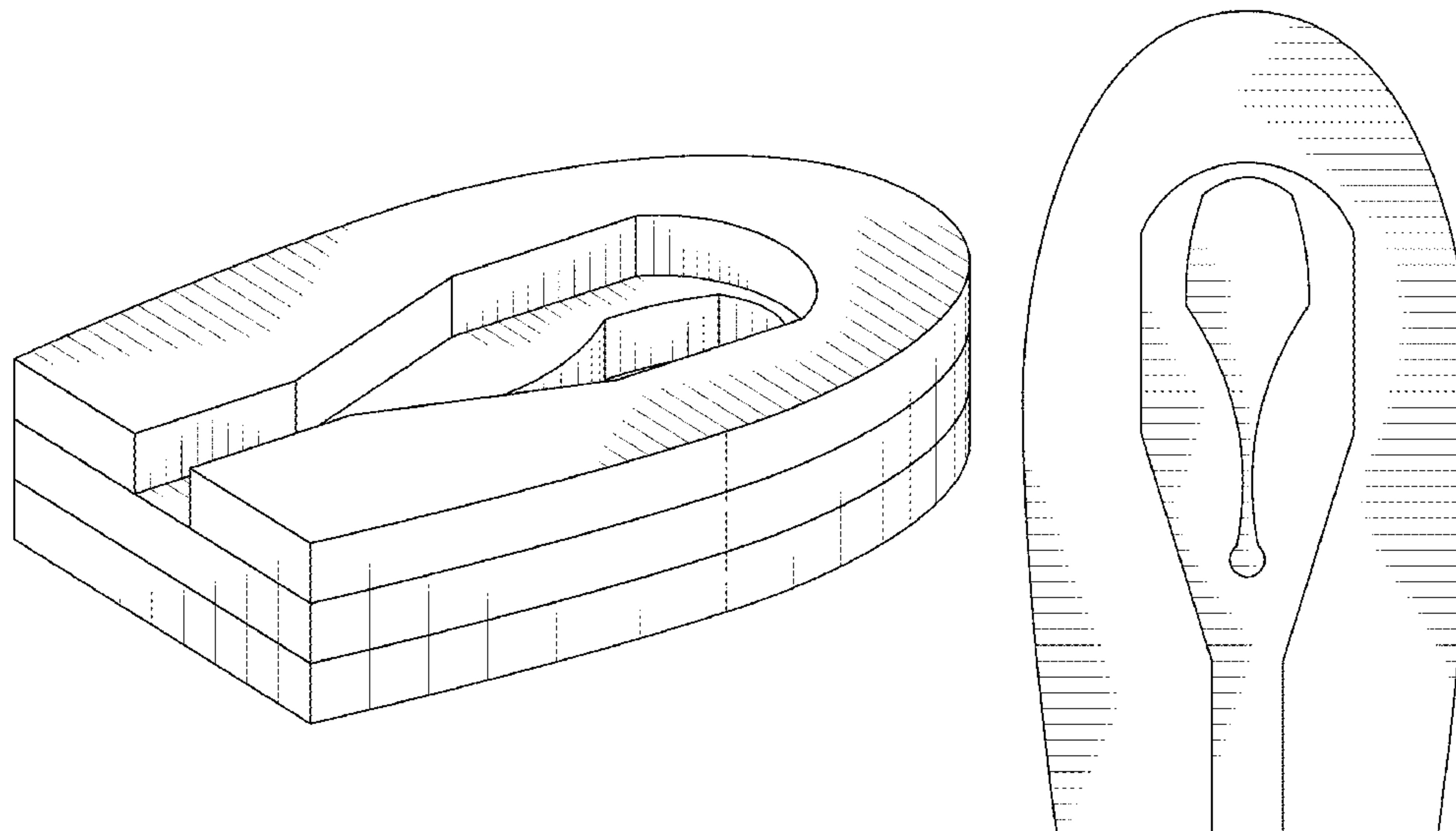
(57) **CLAIM**

The ornamental design for a knee pillow, as shown and described.

DESCRIPTION

FIG. 1 is a top right perspective view of a knee pillow according to one embodiment;
 FIG. 2 is a front elevation view of the knee pillow of FIG. 1;
 FIG. 3 is a back elevation view of the knee pillow of FIG. 1;
 FIG. 4 is a first side elevation view of the knee pillow of FIG. 1, the second side being a mirror image thereof;
 FIG. 5 is a top plan view of the knee pillow of FIG. 1;
 FIG. 6 is a bottom plan view of the knee pillow of FIG. 1;
 FIG. 7 is an environmental view showing the knee pillow of FIG. 1 in a cover;
 FIG. 8 is an exploded view of the knee pillow of FIG. 1;
 FIG. 9 is a top right perspective view of a knee pillow according to one embodiment;
 FIG. 10 is a front elevation view of the knee pillow of FIG. 9;
 FIG. 11 is a back elevation view of the knee pillow of FIG. 9;
 FIG. 12 is a first side elevation view of the knee pillow of FIG. 9, the second side being a mirror image thereof;
 FIG. 13 is a top plan view of the knee pillow of FIG. 9; and,
 FIG. 14 is a bottom plan view of the knee pillow of FIG. 9.
 Dashed lines indicate material disclaimed from the invention and are for purposes of illustration only.
 The broken lines showing a cover in FIG. 7 are for the purpose of illustrating environmental subject matter and form no part of the claim.

1 Claim, 7 Drawing Sheets



(56)

References Cited

U.S. PATENT DOCUMENTS

2015/0201767 A1* 7/2015 Davis A47G 9/10
128/202.18

* cited by examiner

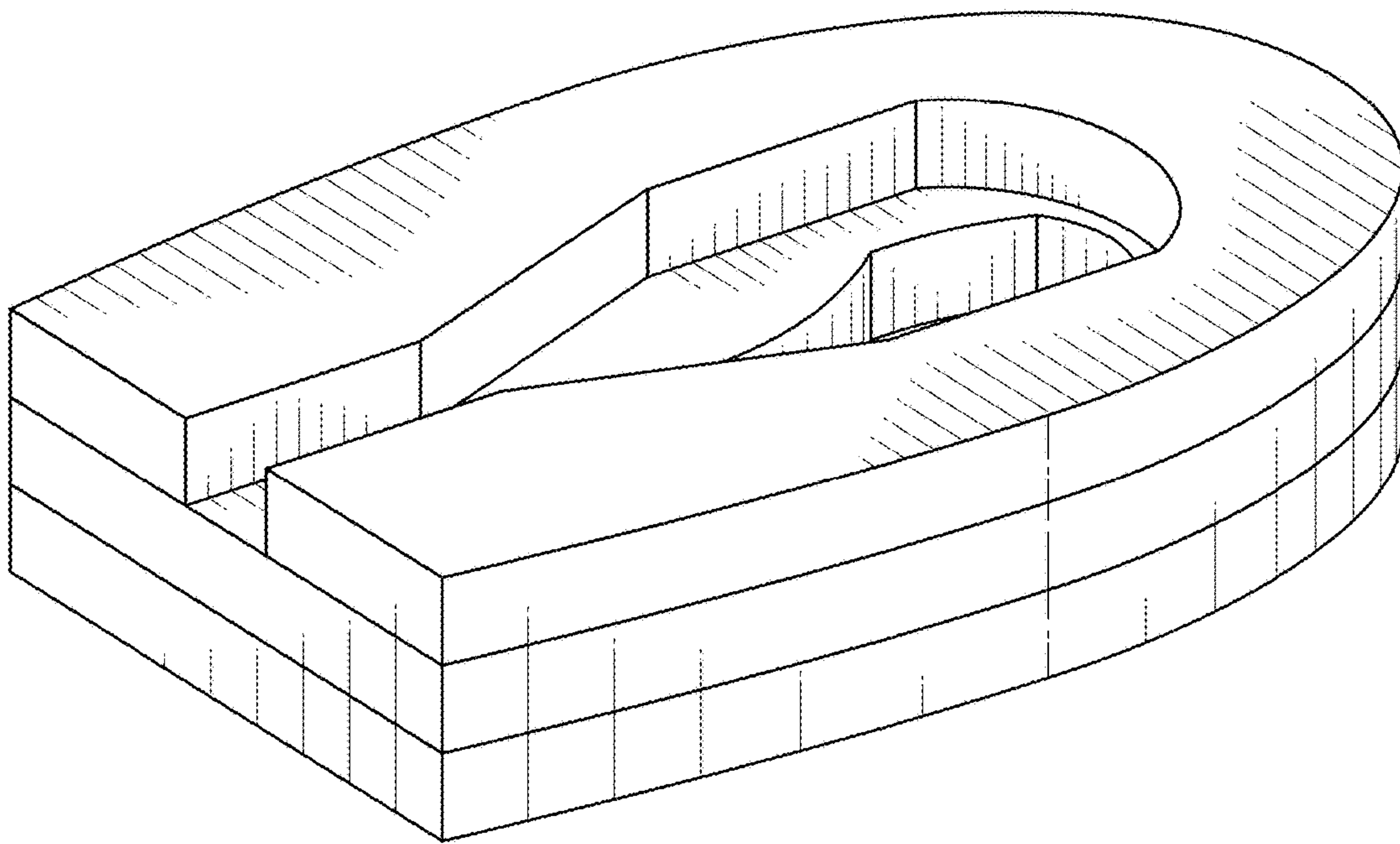


FIG. 1

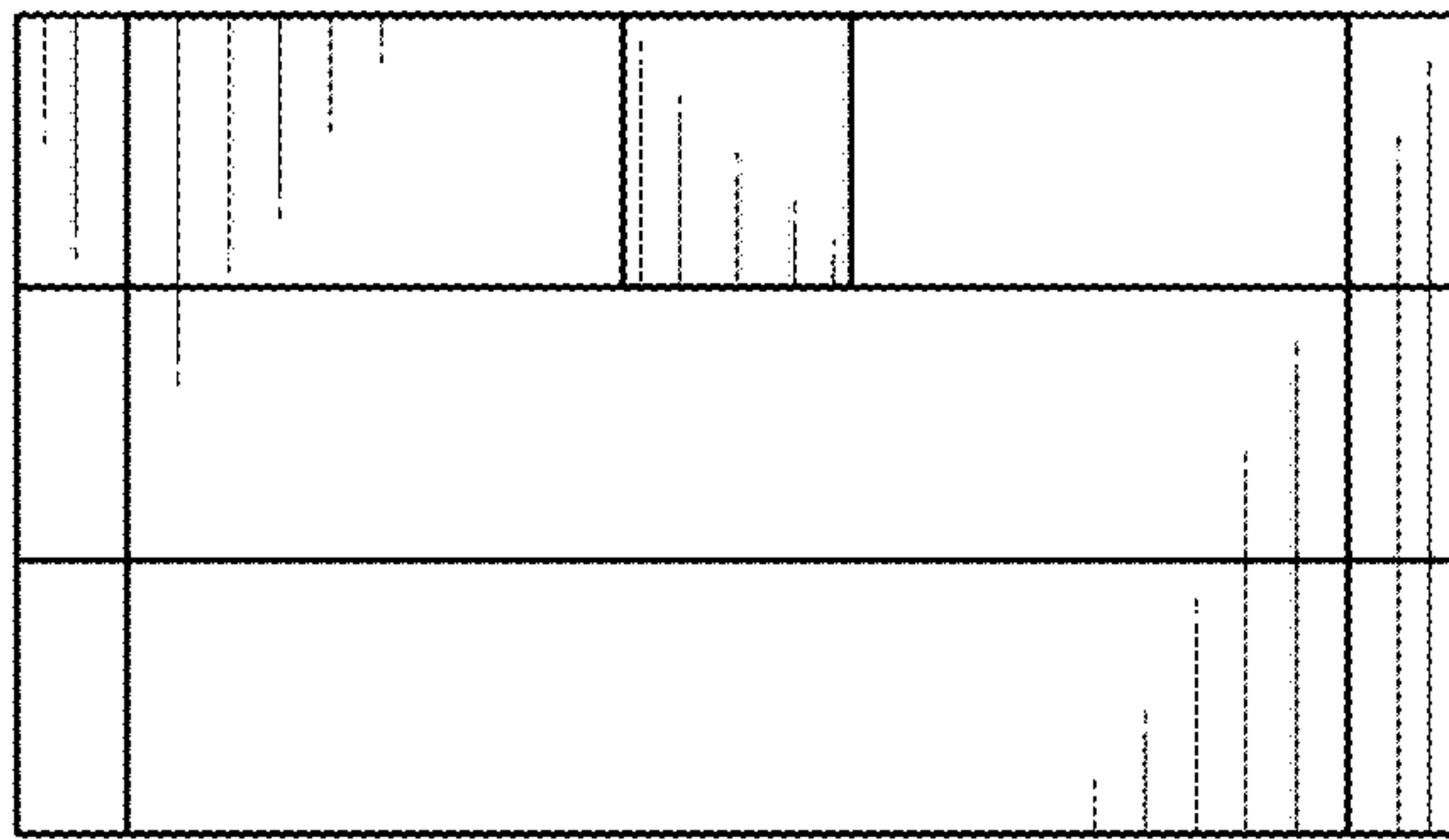


FIG. 2

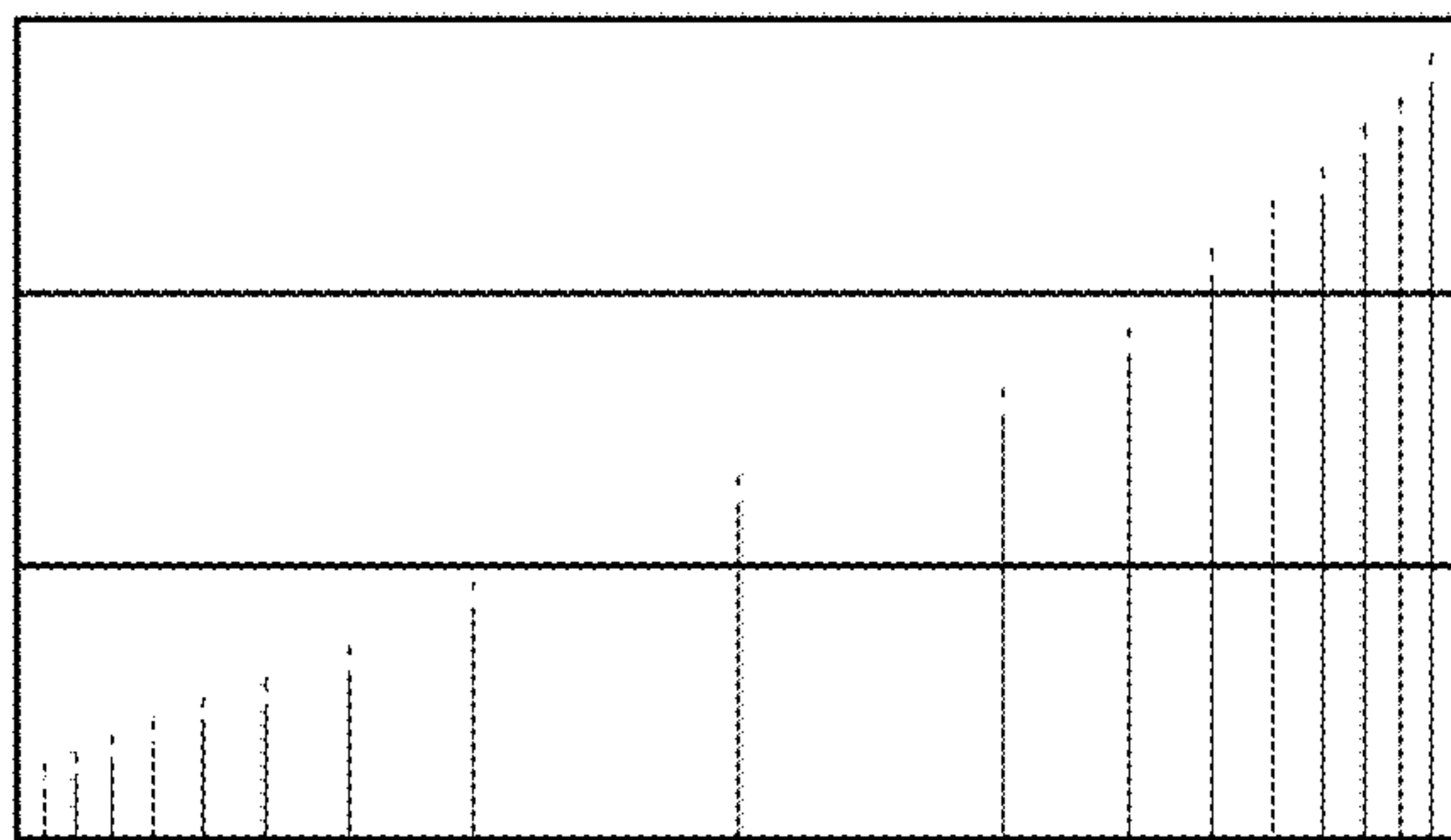


FIG. 3

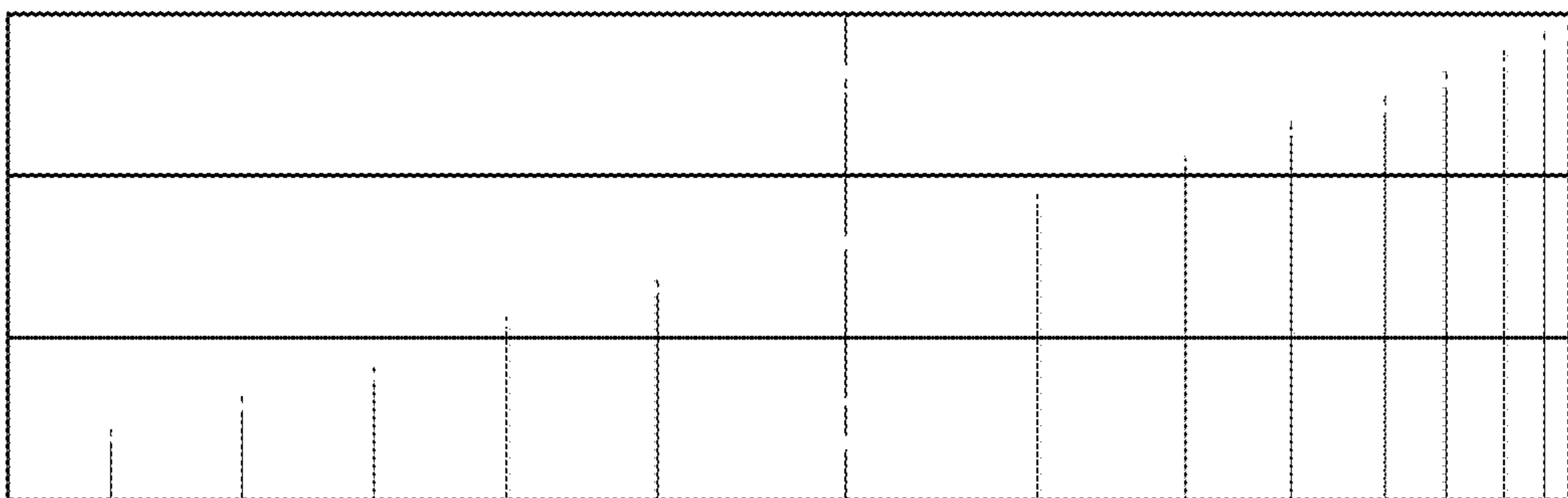


FIG. 4

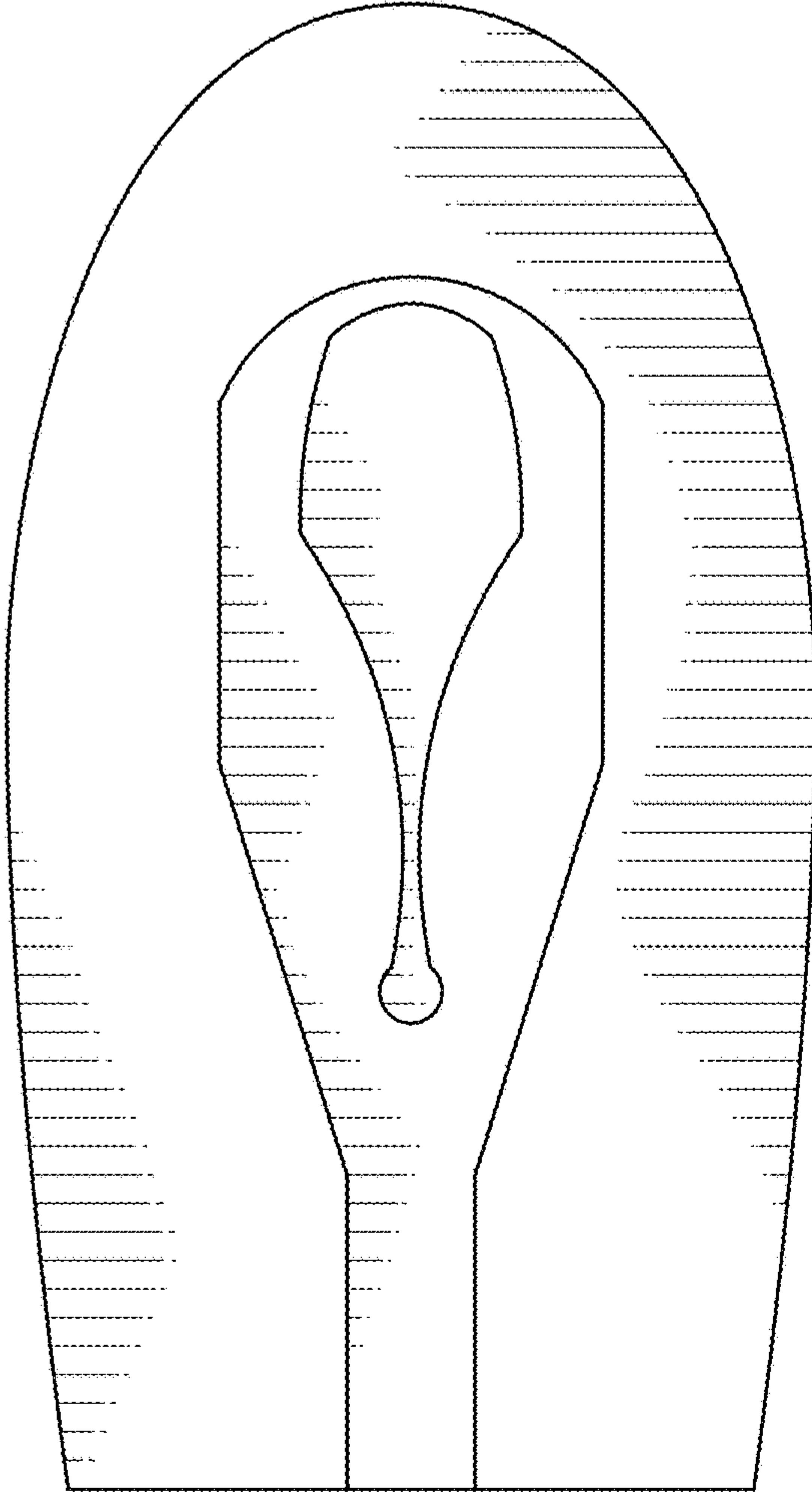


FIG. 5

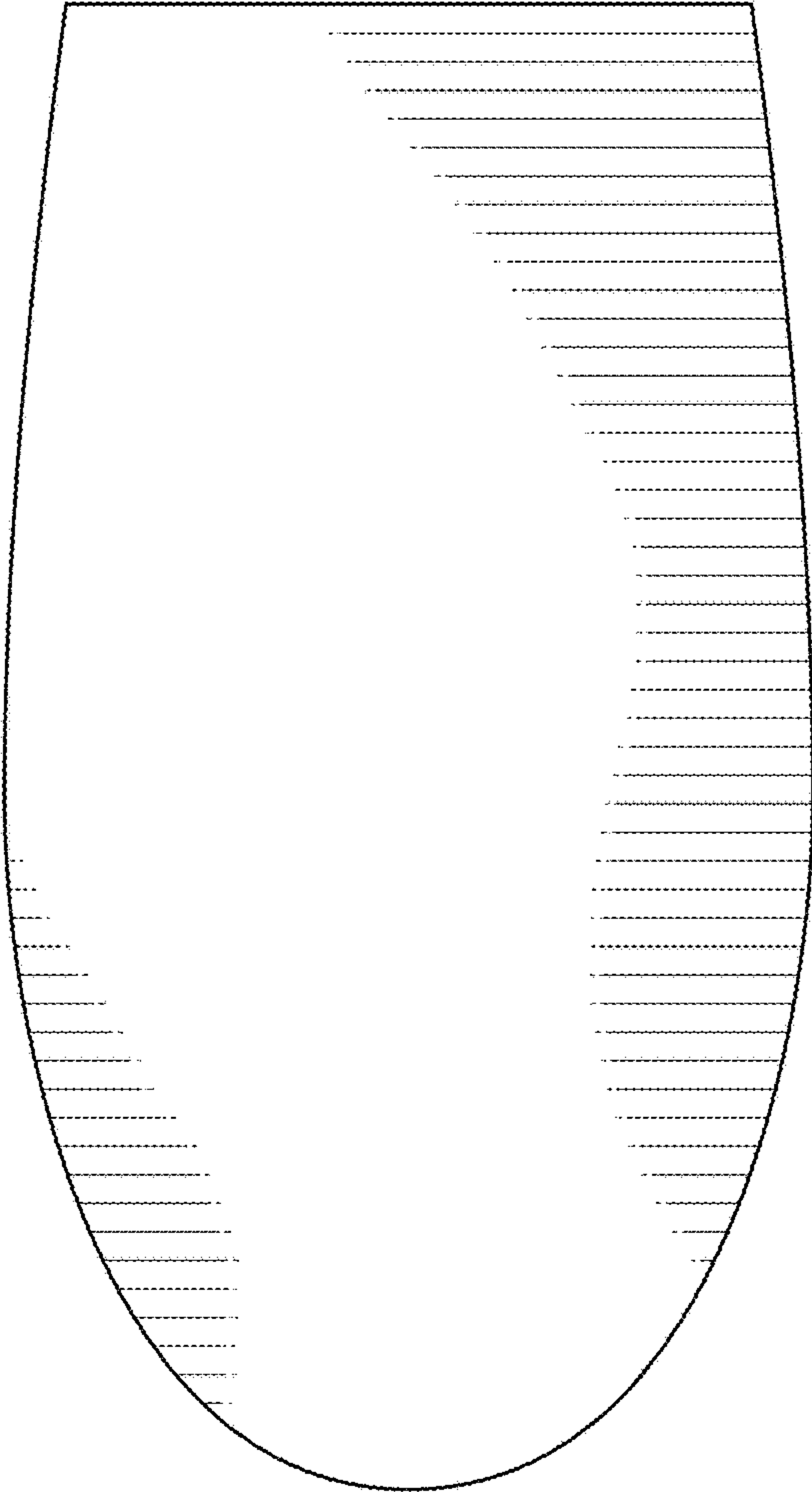


FIG. 6

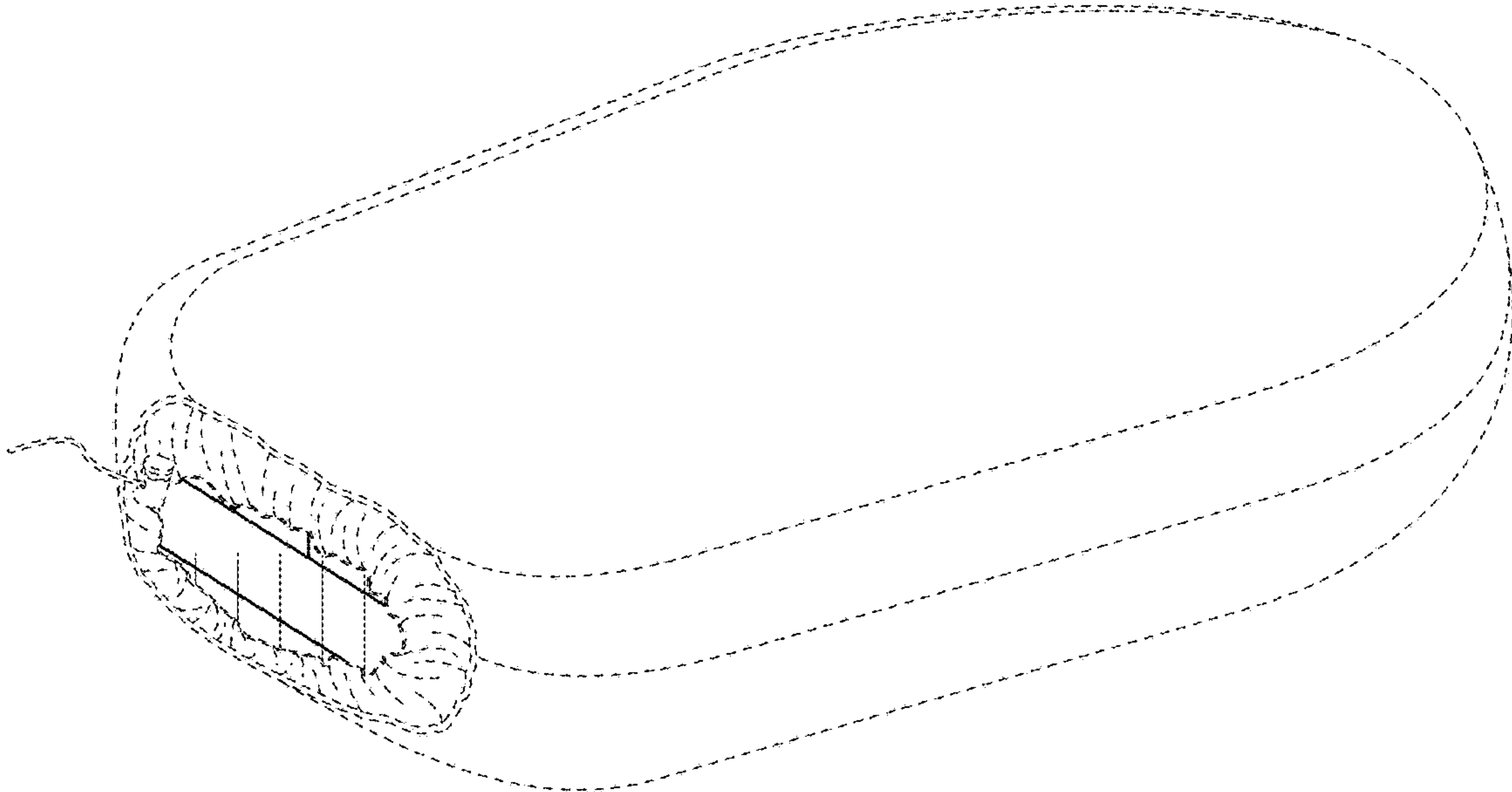


FIG. 7

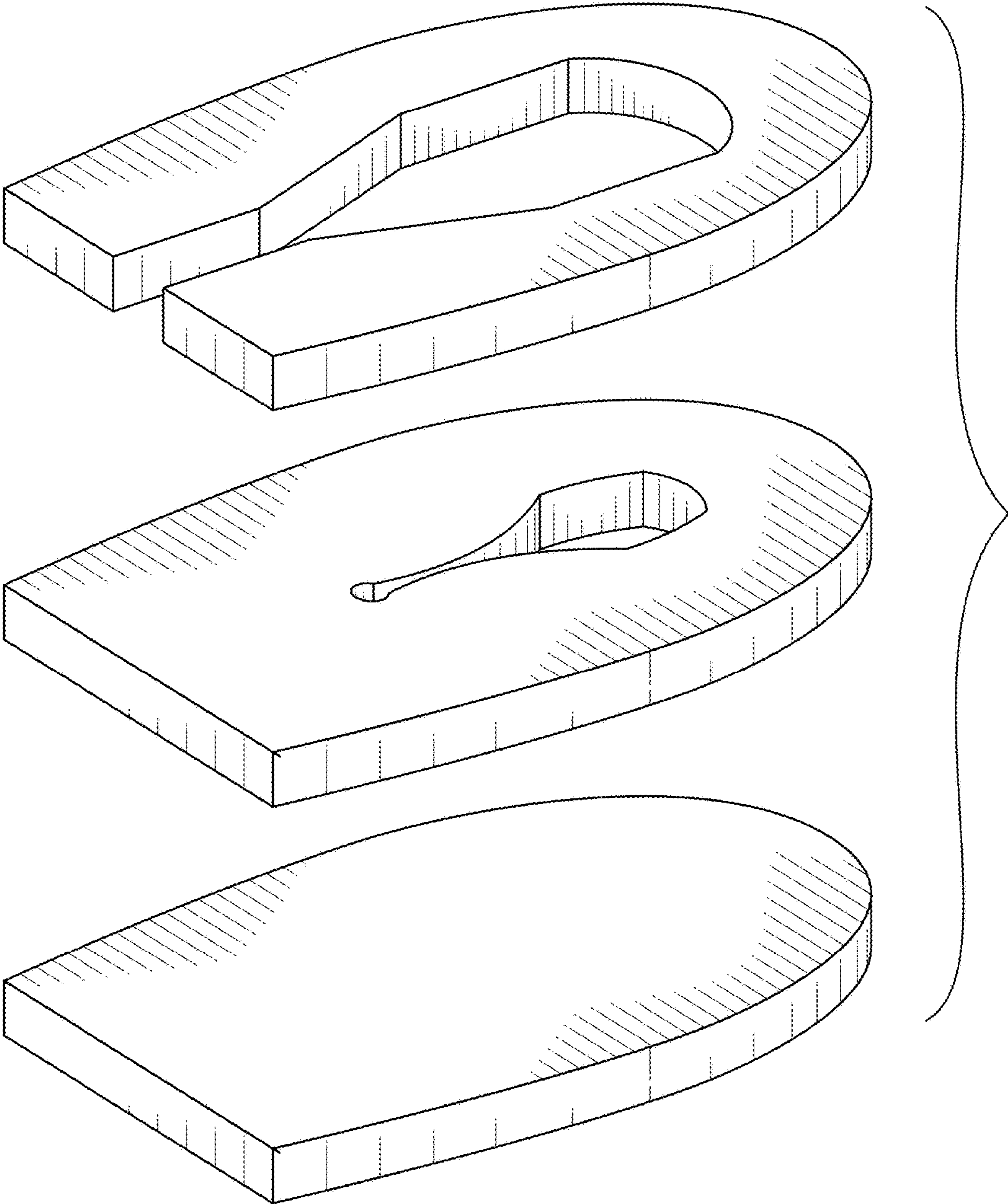


FIG. 8

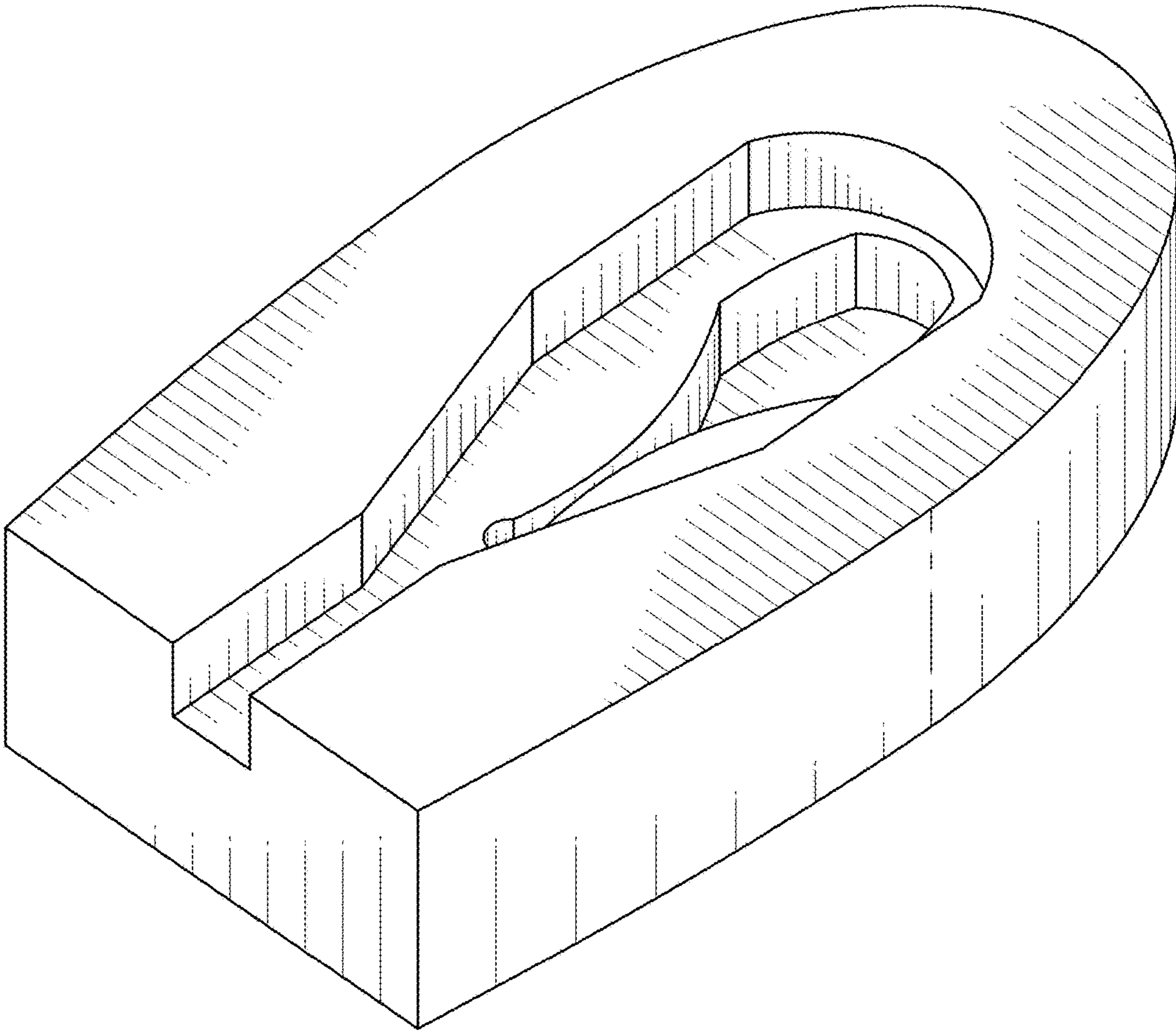


FIG. 9

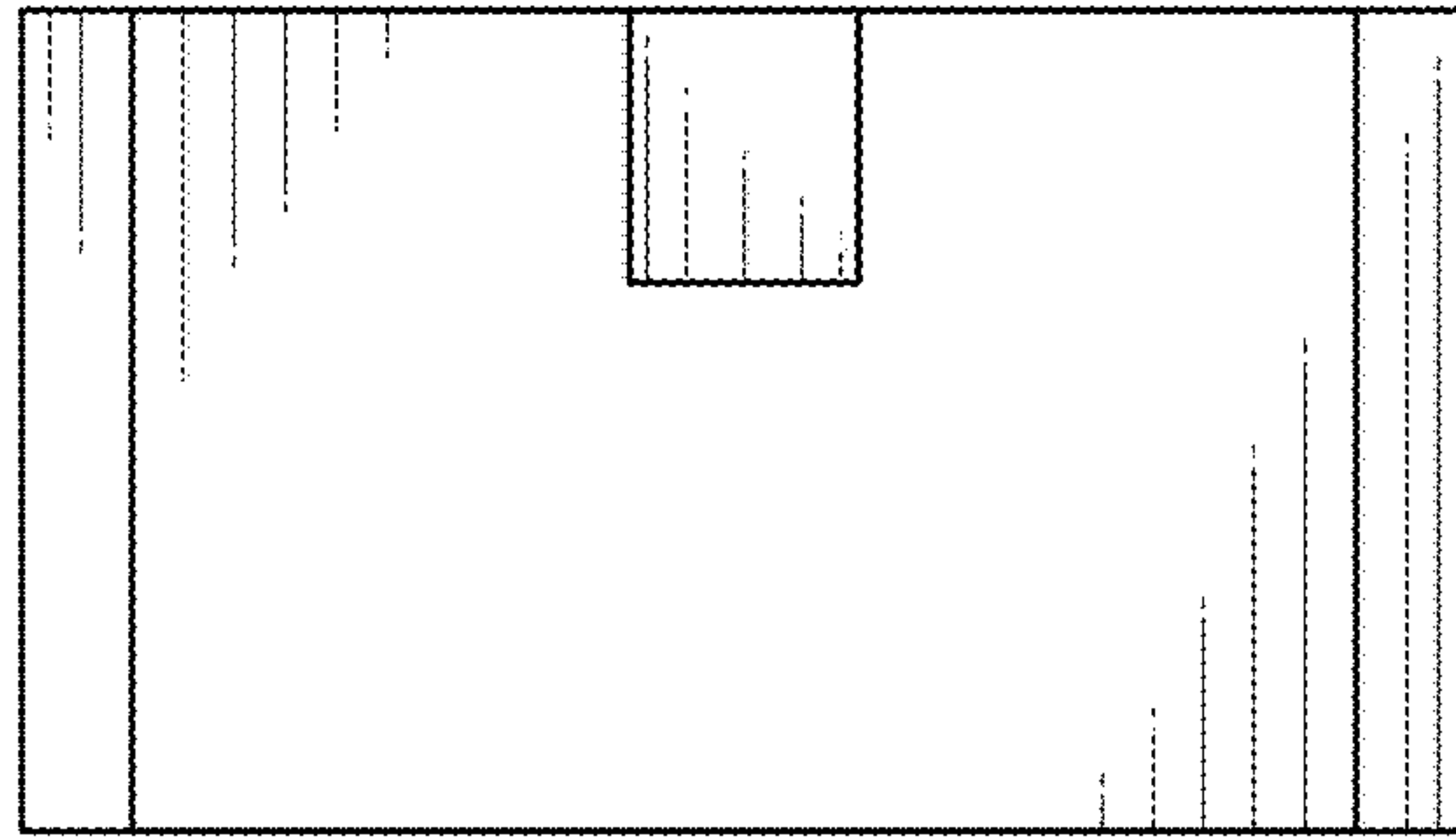


FIG. 10

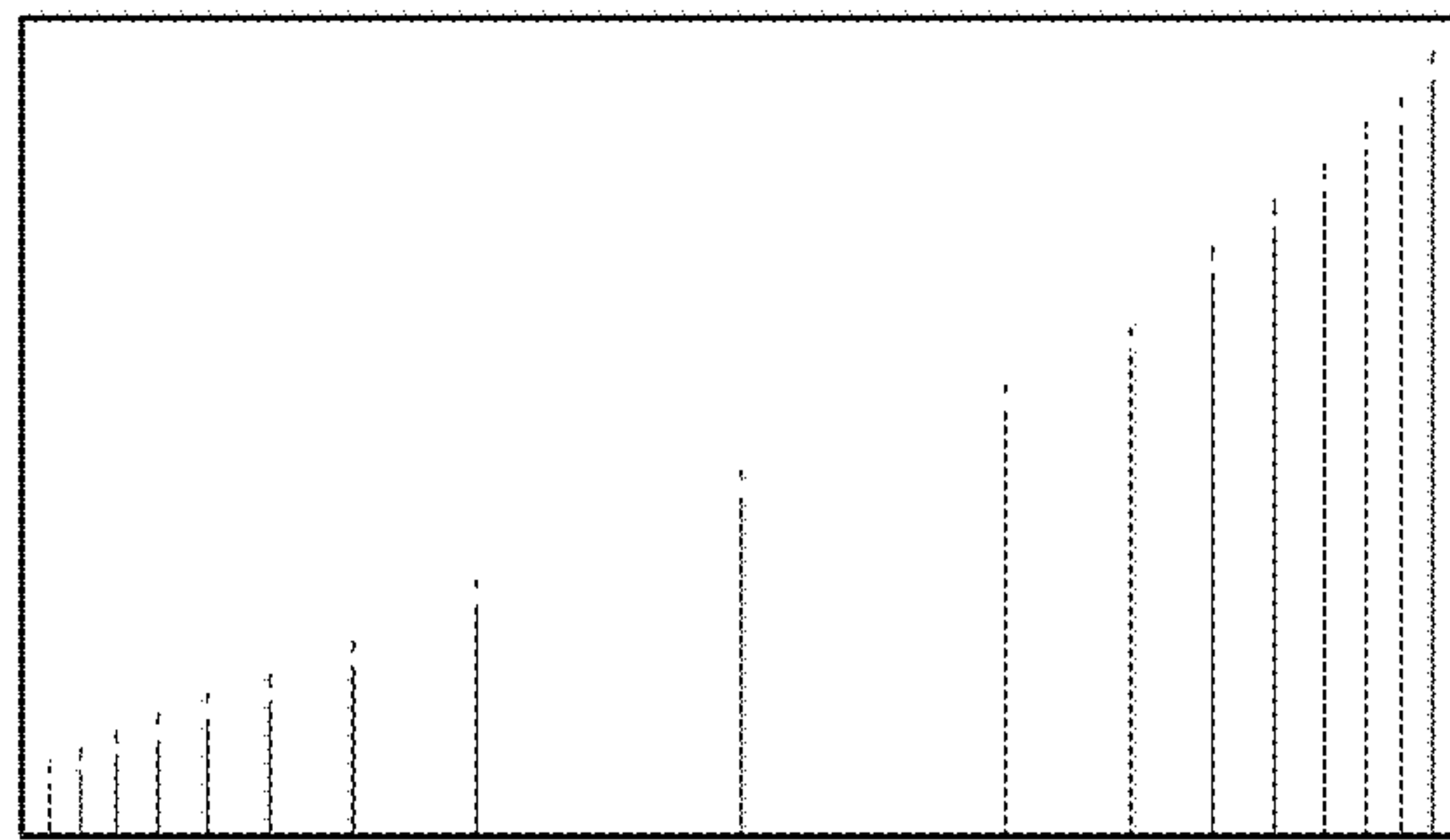


FIG. 11

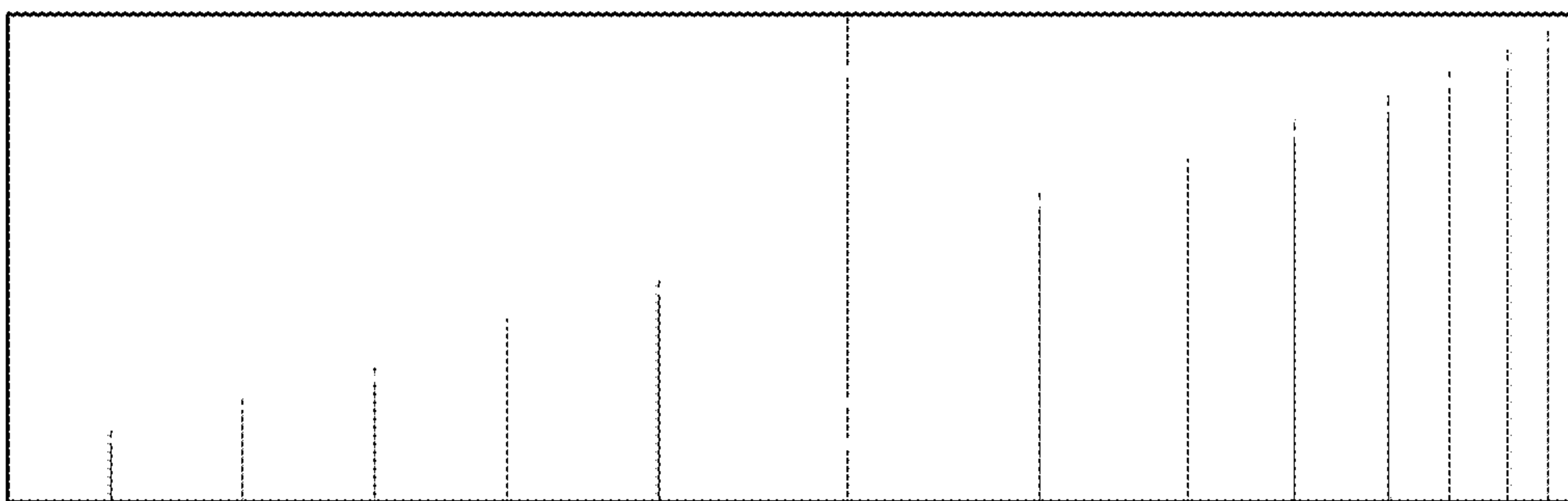


FIG. 12

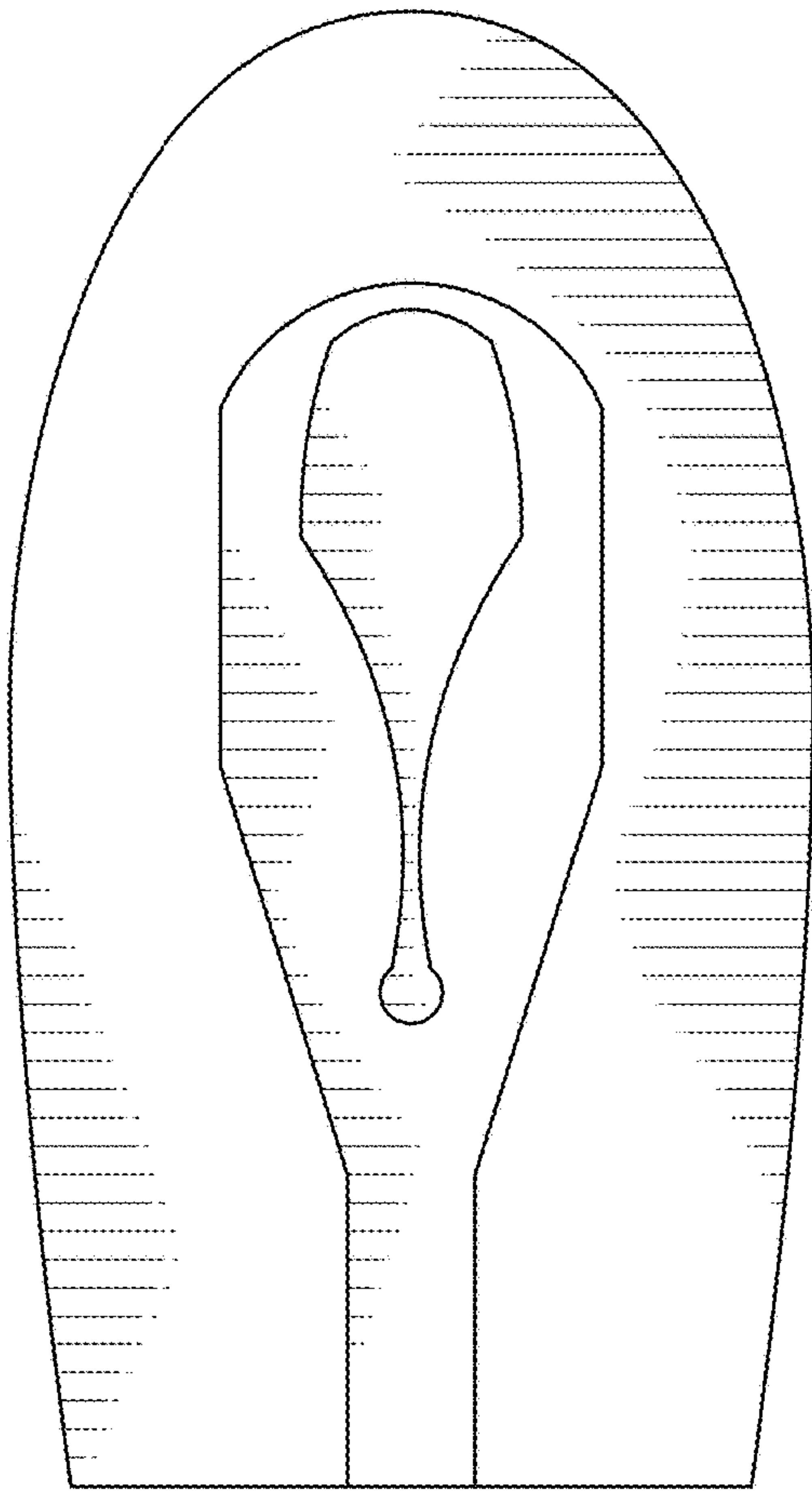


FIG. 13

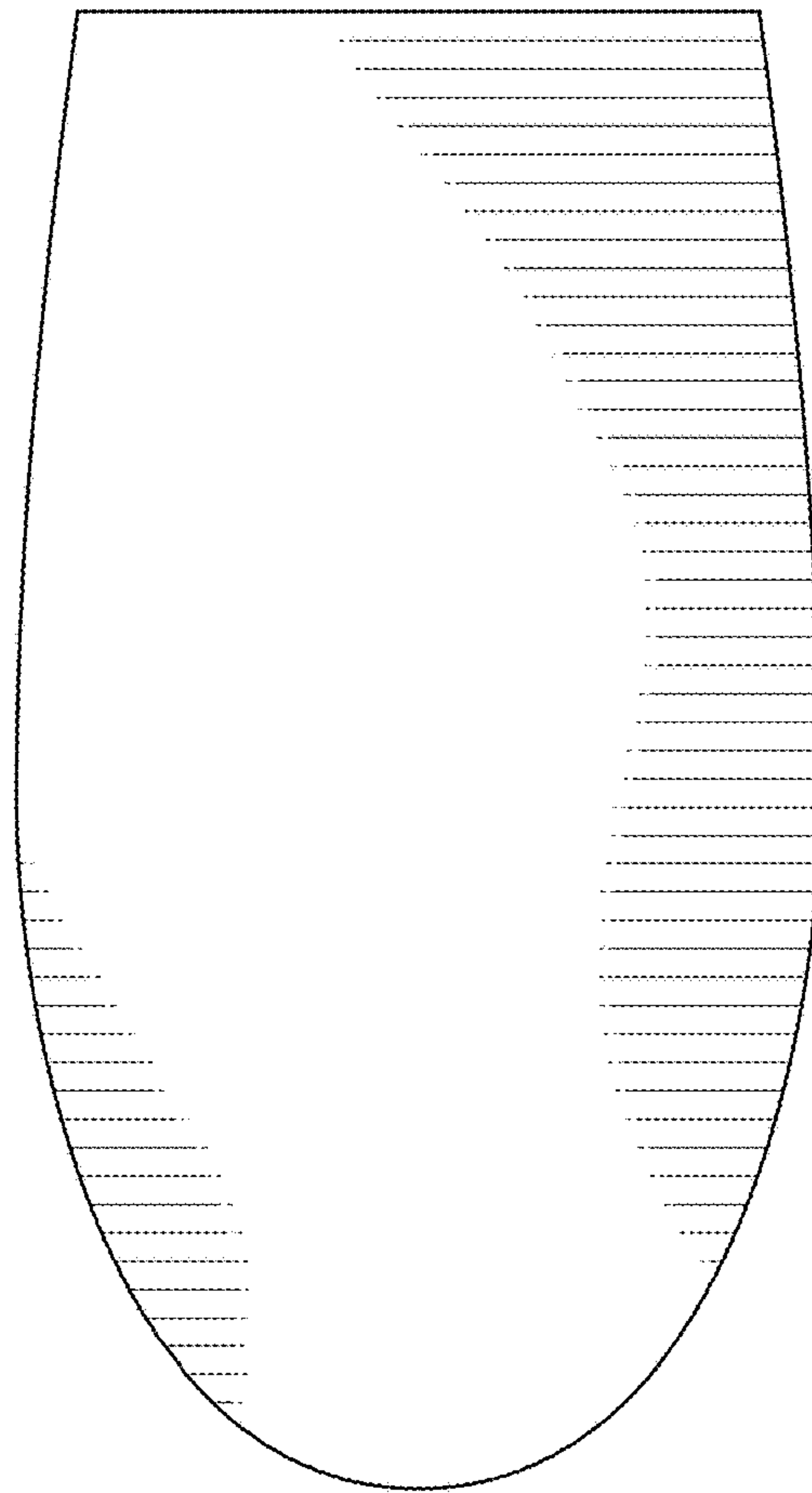


FIG. 14