



US00D815293S

(12) **United States Design Patent** (10) **Patent No.:** **US D815,293 S**
Zhang et al. (45) **Date of Patent:** **** Apr. 10, 2018**

(54) **ULTRASOUND SCANNER**
(71) Applicant: **Clarius Mobile Health Corp.**, Burnaby (CA)

D737,979 S * 9/2015 Selvitelli D24/167
D740,950 S * 10/2015 Osness D24/186
D791,330 S * 7/2017 Moon D24/187

(72) Inventors: **Binda Zhang**, Burnaby (CA); **Ryan Lee**, Victoria (CA)

(73) Assignee: **Clarius Mobile Health Corp.**, Burnaby, British Columbia (CA)

(**) Term: **15 Years**

(21) Appl. No.: **29/583,768**

(22) Filed: **Nov. 8, 2016**

(51) **LOC (11) Cl.** **24-01**

(52) **U.S. Cl.**
USPC **D24/187**

(58) **Field of Classification Search**
USPC D24/133, 137, 138, 141, 158, 160, 164, D24/165, 167, 170, 186-187; D10/57, D10/60, 78, 80; 600/407, 439, 446, 459, 600/461; 378/98.7, 98.8, 189
CPC A61B 8/445; A61B 8/4455; A61B 8/4461; A61B 5/0095; A61B 8/4483; A61B 8/46
See application file for complete search history.

(56) **References Cited**

U.S. PATENT DOCUMENTS

D330,593 S * 10/1992 Moro D10/78
D389,918 S * 1/1998 Ninomiya D24/186
D549,327 S * 8/2007 Aparici D24/133
D616,552 S * 5/2010 Lee D24/186
D629,318 S * 12/2010 Disch D10/78
D639,434 S 6/2011 Wodecki et al.
8,128,050 B1 3/2012 Sliger
D700,701 S * 3/2014 Taylor D24/164
D714,167 S * 9/2014 Hyllbrant D10/46
D716,452 S * 10/2014 Hutchison D24/164

OTHER PUBLICATIONS

Images on Virtually Any Smart Device, posted at clarius.me, posted Jun. 4, 2016, [online], visited Sep. 12, 2017, URL:https://www.clarius.me/ (Year: 2016).*

Clarius Unveils Wireless, Handheld Ultrasound System with App for Physicians, posted at hitconsultant.net, posted Mar. 18, 2016, [online], visited Sep. 12, 2017, URL:http://hitconsultant.net/2016/03/18/32672/ (Year: 2016).*

Clarius: Revolutionary Wireless Ultrasound Scanner, posted at youtube.com, posted Mar. 11, 2016, [online], visited Sep. 12, 2017, URL: https://www.youtube.com/watch?v=azE18v5BPRY (Year: 2016).*

* cited by examiner

Primary Examiner — Anhdao Doan

Assistant Examiner — Mary Malley

(74) *Attorney, Agent, or Firm* — Julian Ho

(57) **CLAIM**

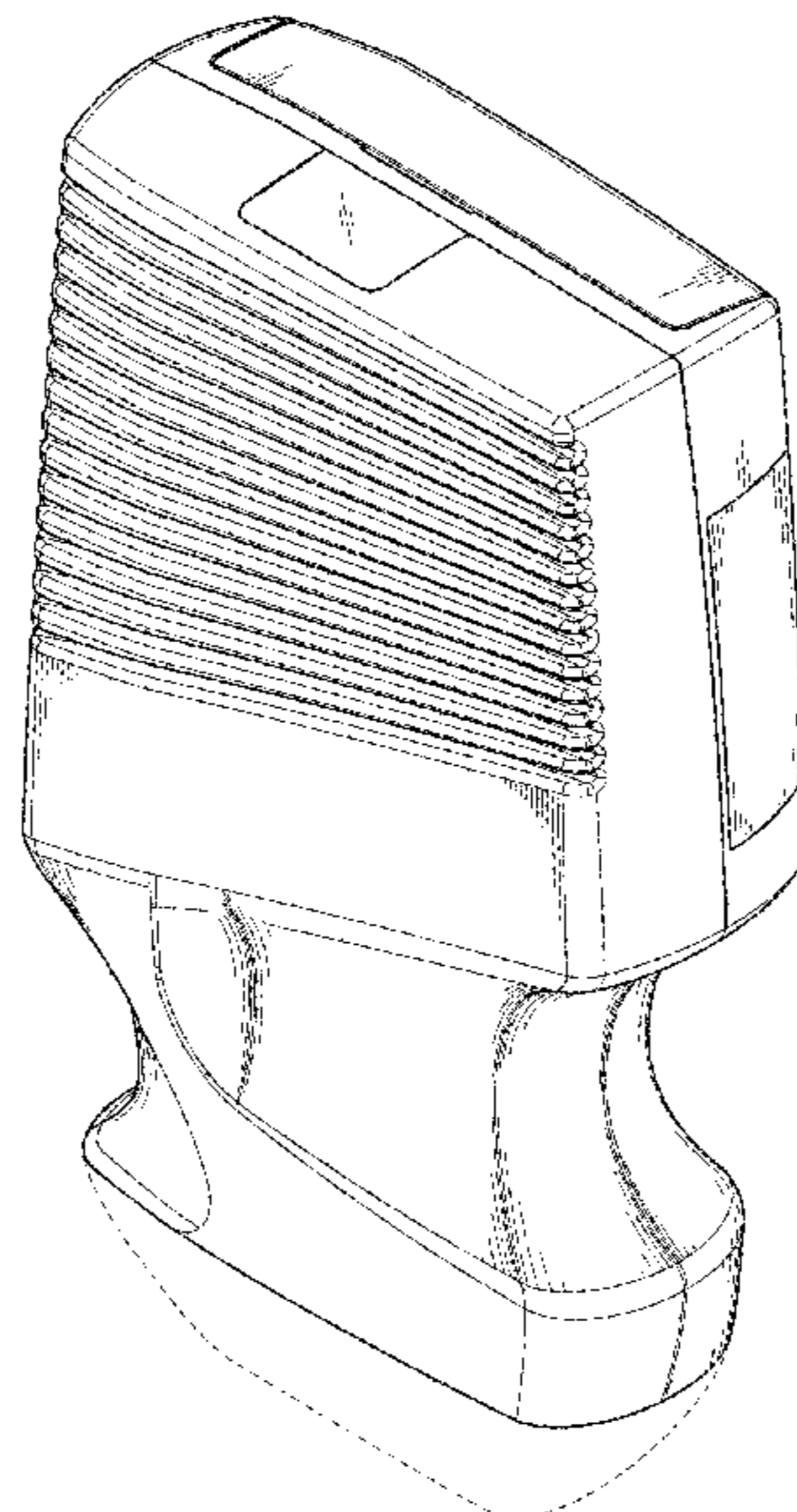
The ornamental design for an ultrasound scanner, as shown and described.

DESCRIPTION

FIG. 1 is a front perspective view of an ultrasound scanner in accordance with the present invention; FIG. 2 is a rear perspective view thereof; FIG. 3 is a front view thereof; FIG. 4 is a rear view thereof; FIG. 5 is a right side view thereof; FIG. 6 is a left side view thereof; FIG. 7 is a top view thereof; and, FIG. 8 is a bottom view thereof.

The broken lines in the figures represent portions of the article which form no part of the claimed design.

1 Claim, 5 Drawing Sheets



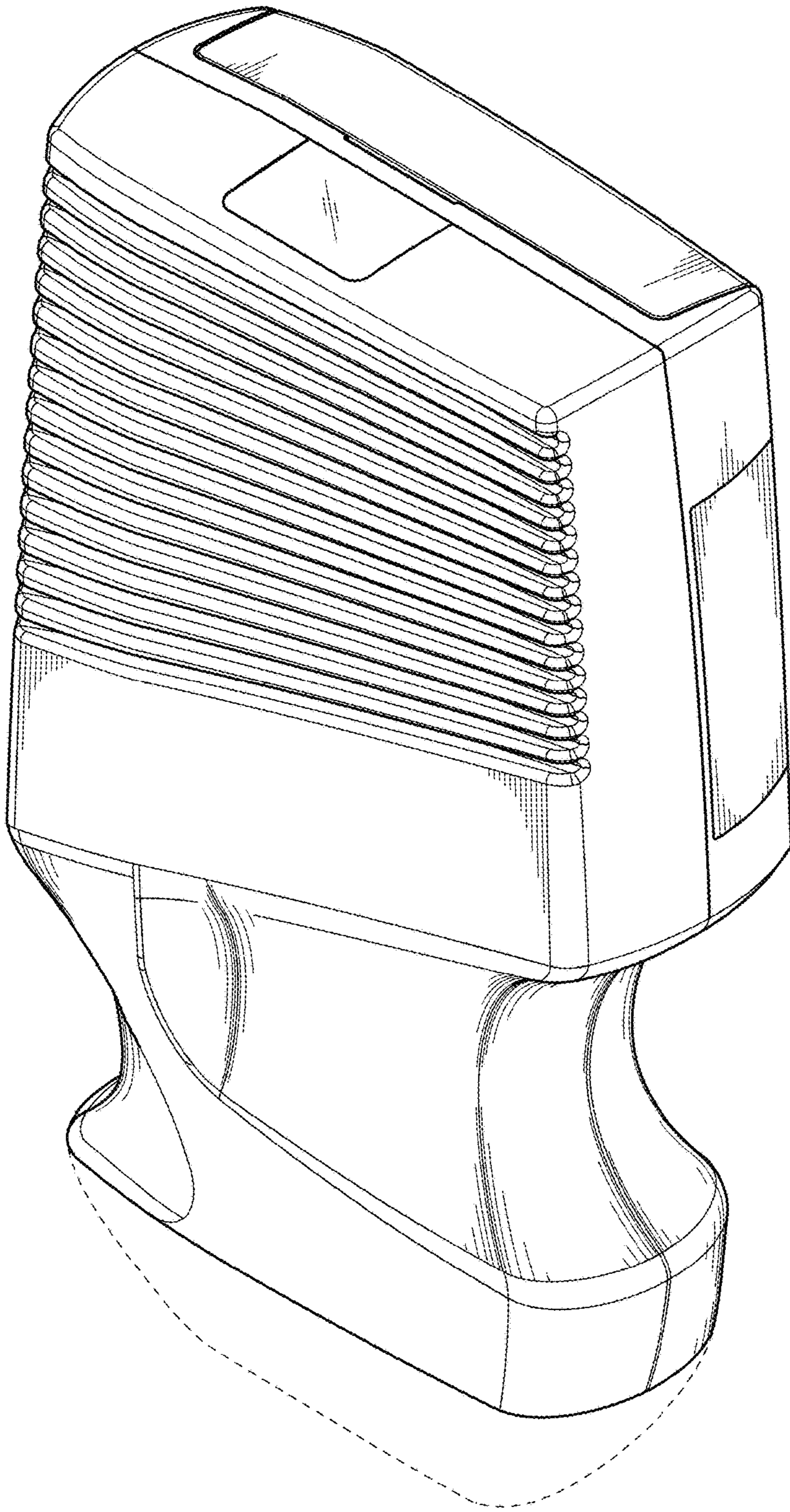


FIG. 1

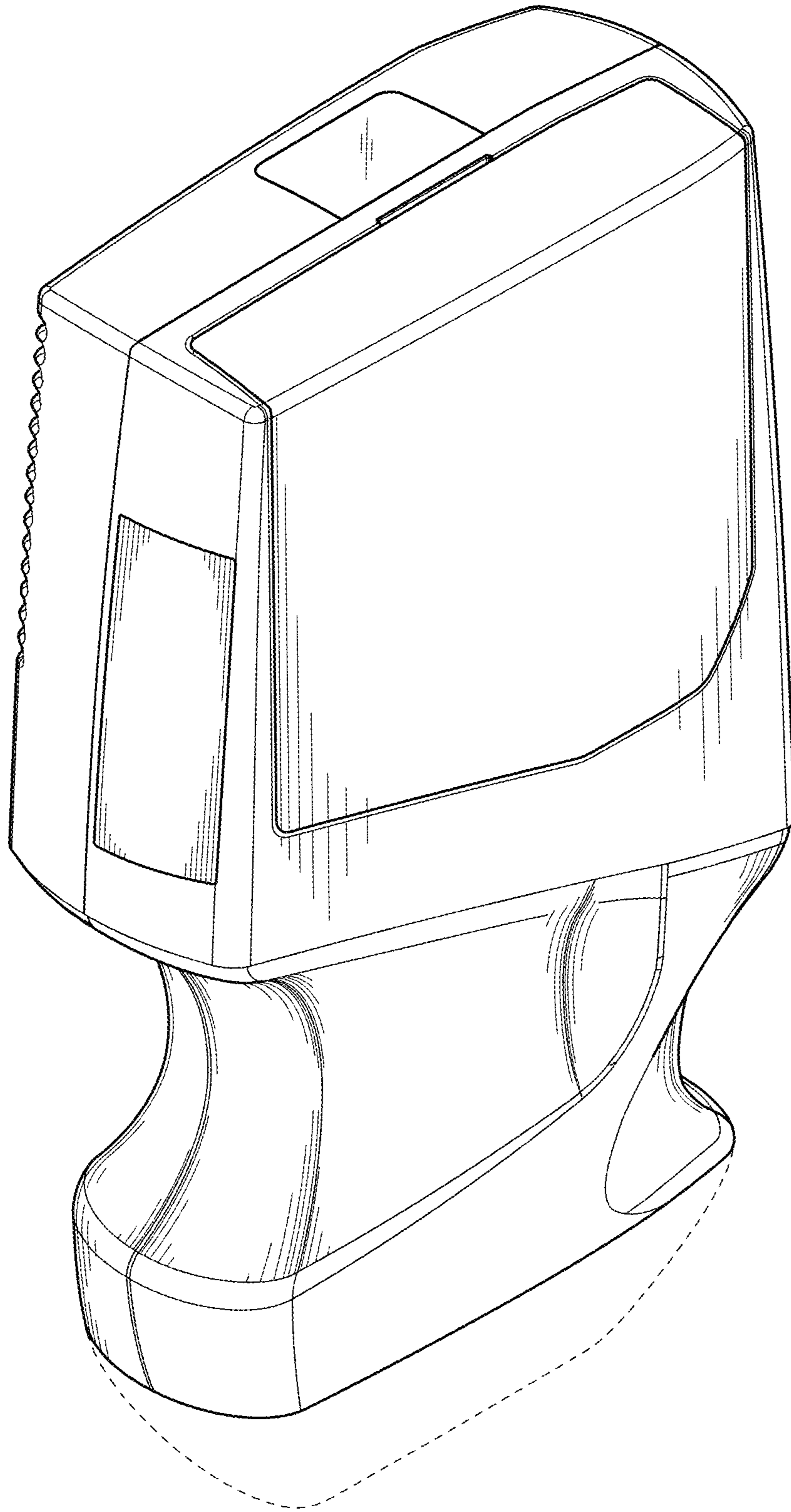


FIG. 2

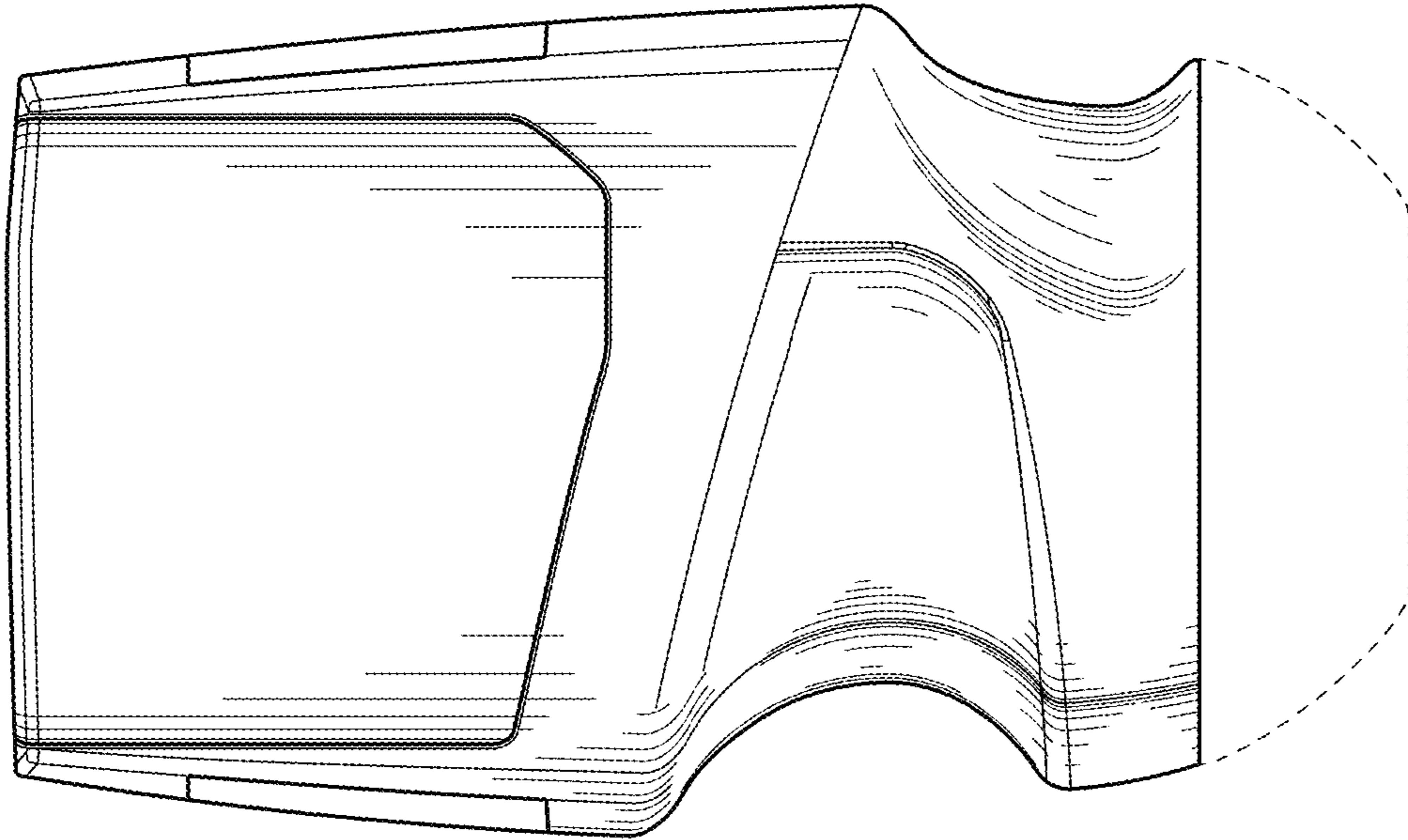


FIG. 4

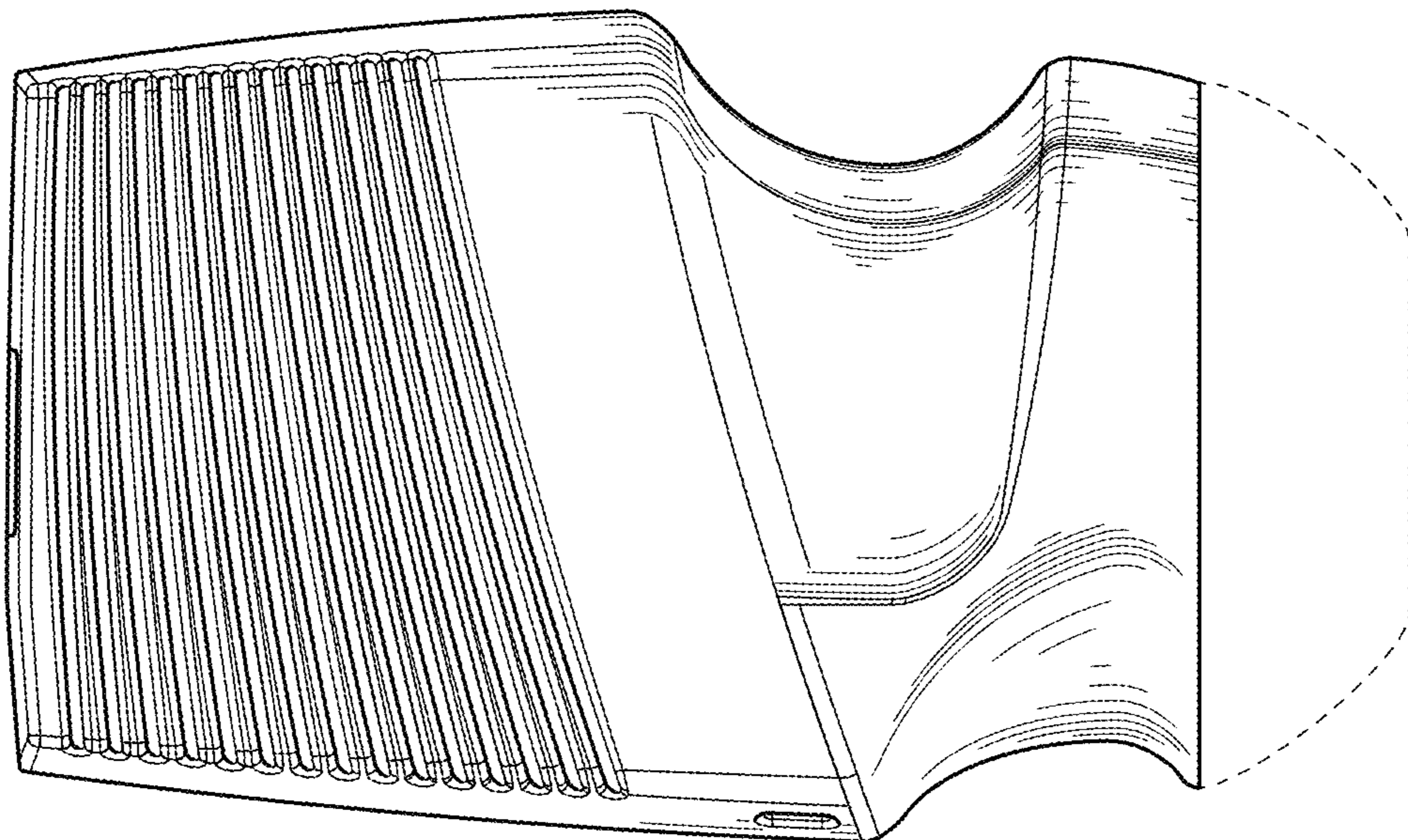


FIG. 3

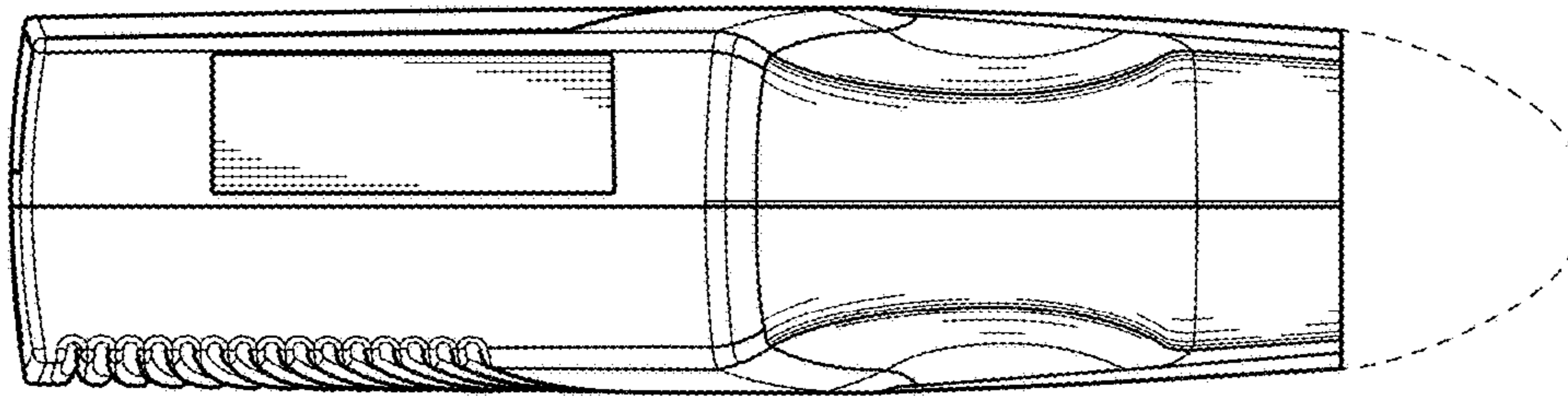


FIG. 5

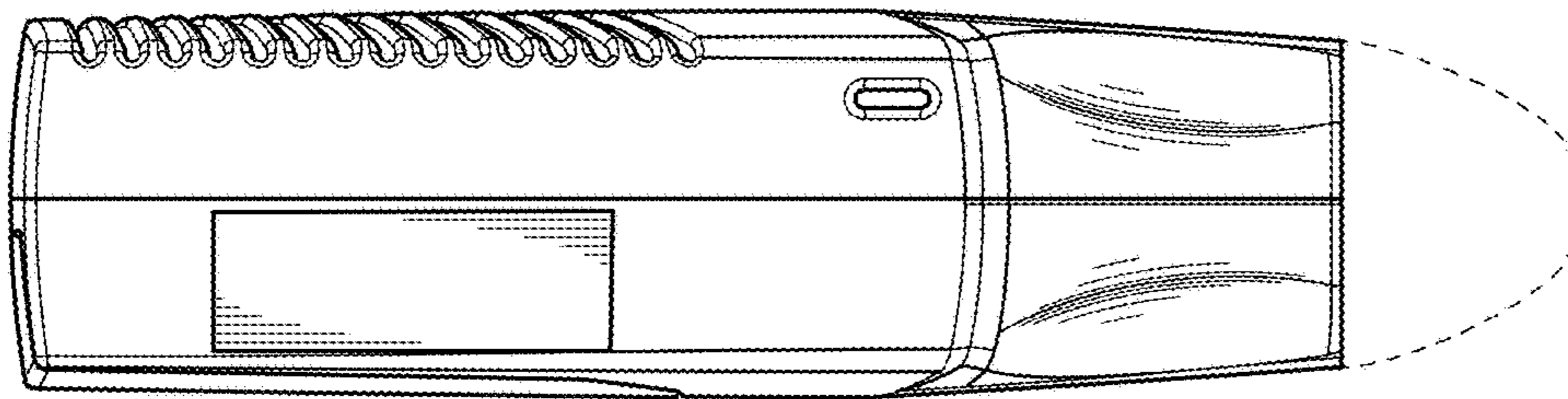


FIG. 6

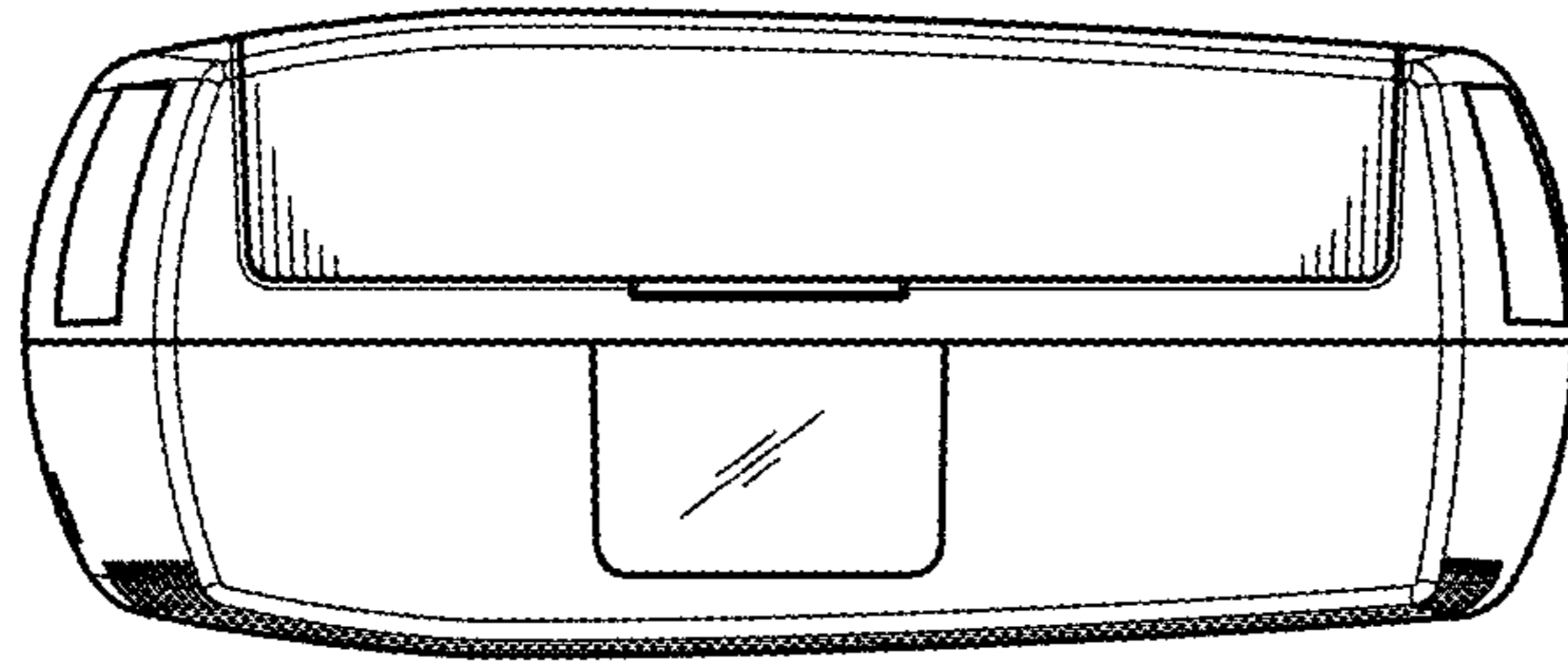


FIG. 7

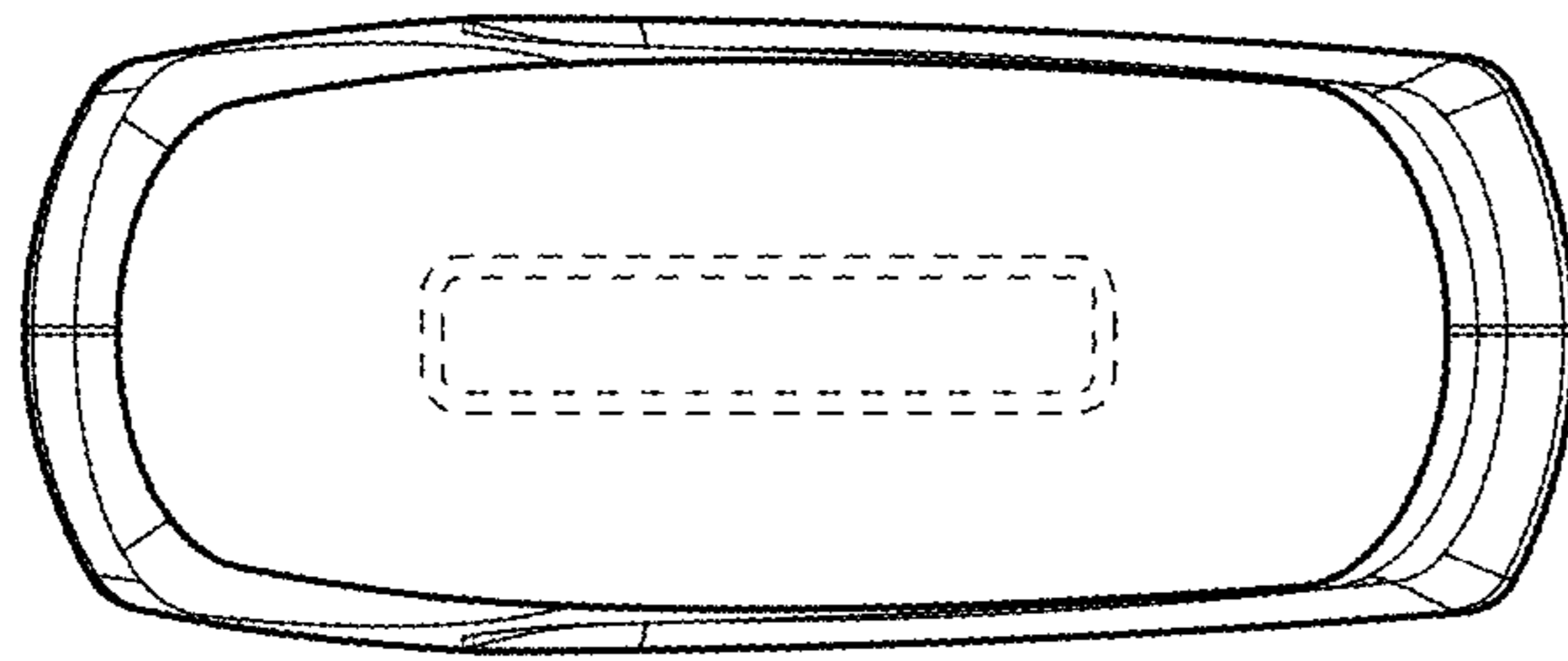


FIG. 8