



US00D815291S

(12) **United States Design Patent**
Farrell

(10) **Patent No.:** **US D815,291 S**

(45) **Date of Patent:** **** Apr. 10, 2018**

(54) **ORTHODONTIC APPLIANCE**

(71) Applicant: **Christopher John Farrell**, Helensvale (AU)

(72) Inventor: **Christopher John Farrell**, Helensvale (AU)

(**) Term: **15 Years**

(21) Appl. No.: **29/574,603**

(22) Filed: **Aug. 17, 2016**

Related U.S. Application Data

(62) Division of application No. 29/517,045, filed on Feb. 9, 2015, now Pat. No. Des. 767,146.

(51) **LOC (11) Cl.** **24-02**

(52) **U.S. Cl.**
USPC **D24/181**

(58) **Field of Classification Search**
USPC D24/155-156, 176, 180-182; D29/108
CPC A63B 71/085; A61C 7/00; A61C 7/08;
A61C 7/10; A61C 7/36; A61F 5/566
See application file for complete search history.

(56) **References Cited**

U.S. PATENT DOCUMENTS

2,827,899 A	3/1958	Altieri
3,207,153 A	9/1965	Goldstein
3,216,527 A	11/1965	Lewis
3,224,443 A	12/1965	Monaghan
3,234,942 A	2/1966	Simor
3,236,235 A	2/1966	Jacobs
3,247,844 A	4/1966	Berghash
3,312,218 A	4/1967	Jacobs
D212,848 S	12/1968	Westlund et al.
D215,685 S	10/1969	Helmer
3,692,025 A	9/1972	Greenberg
D289,795 S	5/1987	Andersson
5,031,638 A	7/1991	Castaldi
5,082,007 A	1/1992	Adell

D328,494 S	8/1992	Schwendeman et al.
5,259,762 A	11/1993	Farrell
5,293,880 A	3/1994	Levitt
5,406,962 A	4/1995	Adell
D358,889 S	5/1995	Wong
5,462,066 A	10/1995	Snyder

(Continued)

FOREIGN PATENT DOCUMENTS

AU	656715	2/1995
AU	676142	3/1997

(Continued)

OTHER PUBLICATIONS

Myofunctional Research Co., Pty. Ltd., Myobrace, Myobrace for Adults, Orthodontics without braces, Myobrace Product Brochure, offered for sale since Aug. 1, 2011, 4 pages.

(Continued)

Primary Examiner — Wan Laymon

(74) *Attorney, Agent, or Firm* — McAndrews, Held & Malloy, Ltd.

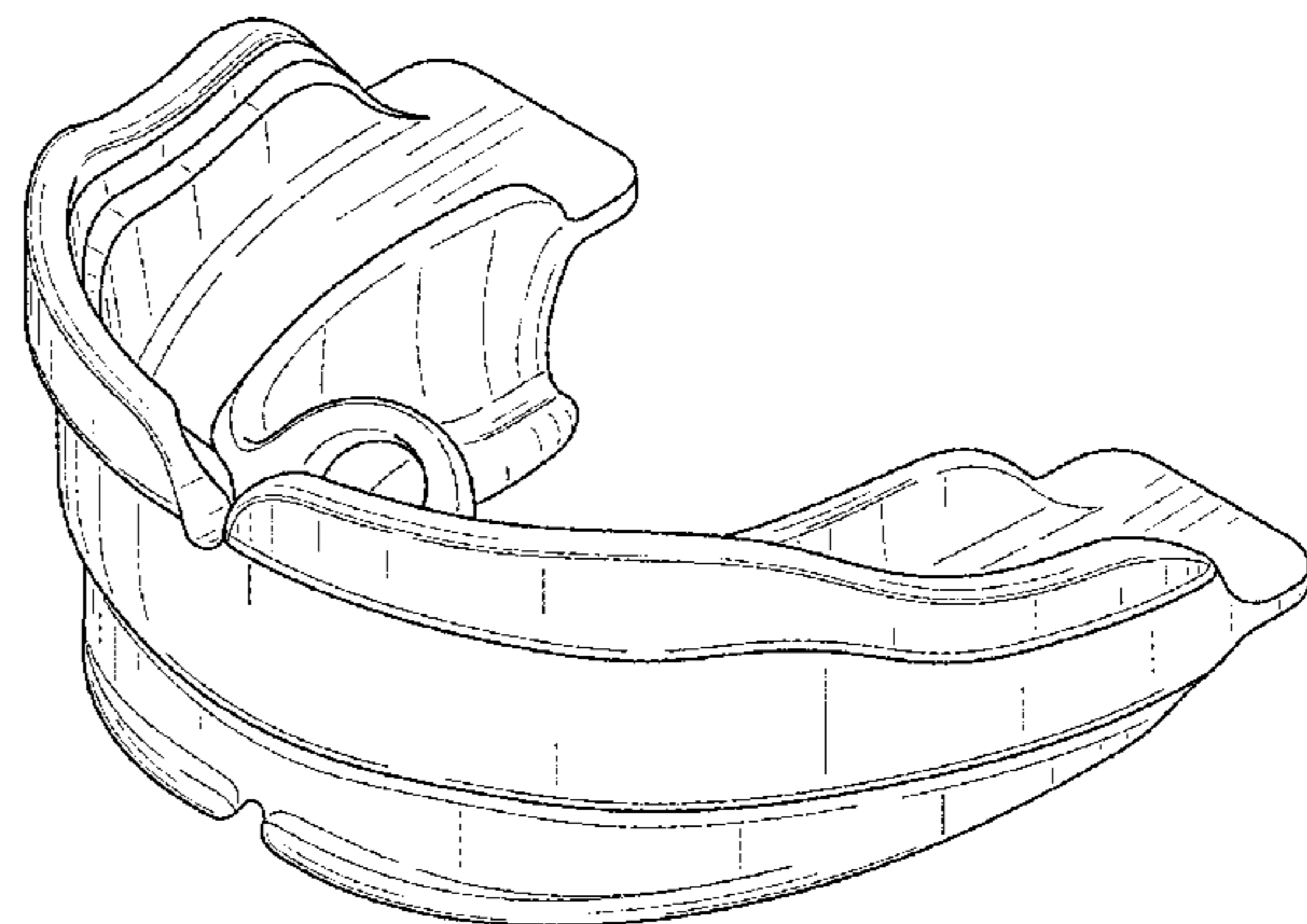
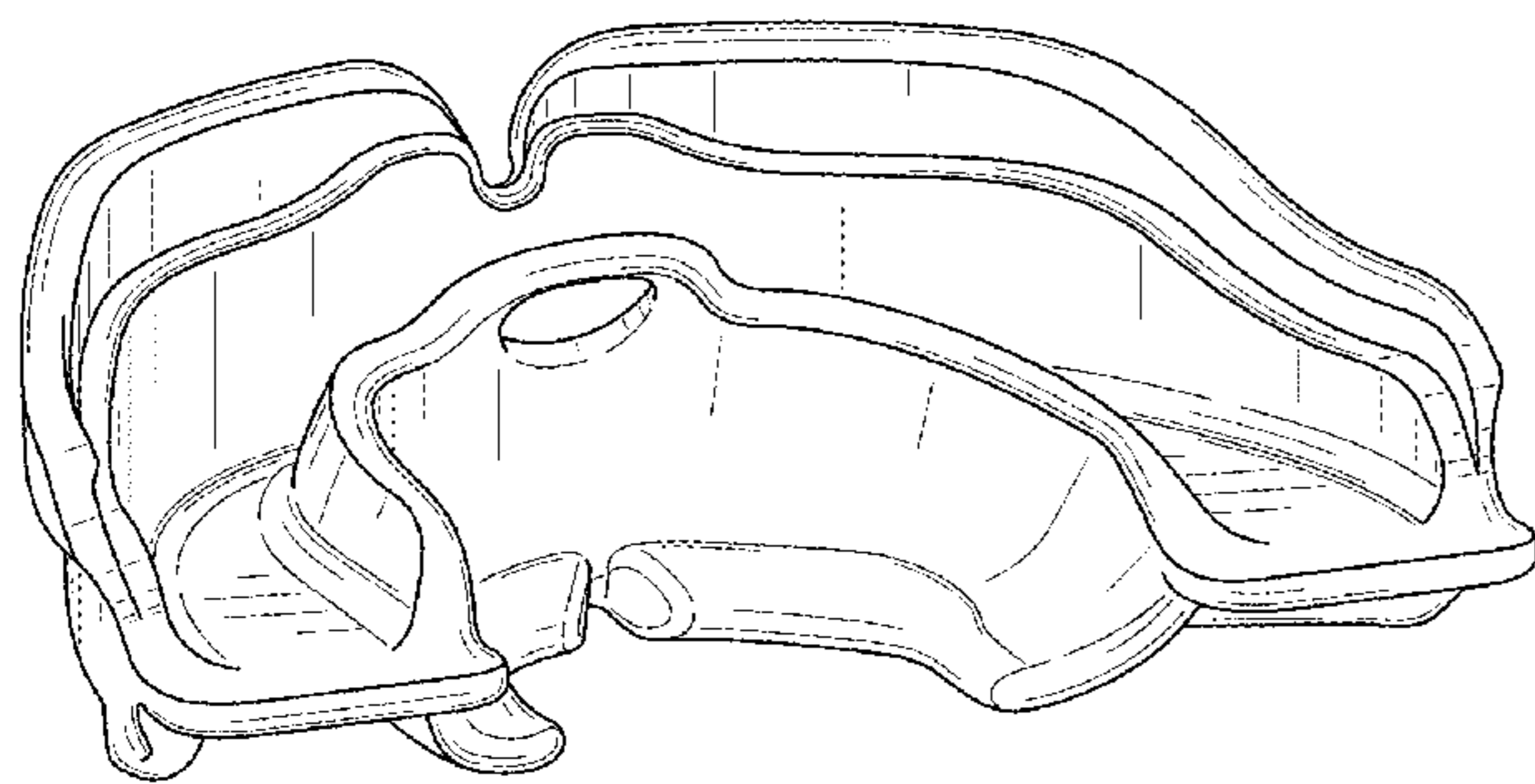
(57) **CLAIM**

The ornamental design for an orthodontic appliance, as shown and described.

DESCRIPTION

FIG. 1 is a top right rear perspective view of orthodontic appliance showing my new design;
FIG. 2 is a top right front perspective view thereof;
FIG. 3 is a rear elevation view thereof;
FIG. 4 is a front elevation view thereof;
FIG. 5 is a left side elevation view thereof;
FIG. 6 is a right side elevation view thereof;
FIG. 7 is a top plan view thereof; and,
FIG. 8 is a bottom plan view thereof.

1 Claim, 4 Drawing Sheets



(56)

References Cited

U.S. PATENT DOCUMENTS

5,592,951 A 1/1997 Castagnaro et al.
 5,624,257 A 4/1997 Farrell
 5,636,379 A 6/1997 Williams
 D382,965 S 8/1997 Wagner
 D406,647 S 3/1999 Wagner
 D408,919 S 4/1999 Cooley
 6,082,363 A 7/2000 Washburn
 6,170,485 B1 1/2001 Orrico
 6,494,210 B1 12/2002 Mams
 6,508,251 B2 1/2003 Kittelsen et al.
 D473,976 S 4/2003 Wilkens
 6,584,978 B1 7/2003 Brett et al.
 6,598,605 B1 7/2003 Kittelsen et al.
 6,637,436 B2 10/2003 Farrell
 D492,785 S 7/2004 Garabito
 D509,028 S 8/2005 Farrell
 6,935,857 B1 8/2005 Farrell
 D530,863 S 10/2006 Manzo et al.
 D537,987 S 3/2007 Manzo et al.
 D539,429 S 3/2007 Wong
 7,210,483 B1 5/2007 Lesniak et al.
 D548,402 S 8/2007 Trodick
 7,404,403 B2 7/2008 Farrell
 D595,413 S 6/2009 Farrell
 D609,347 S 2/2010 Farrell
 D609,348 S 2/2010 Farrell
 7,790,009 B2 9/2010 Moller et al.
 D626,292 S 10/2010 Farrell
 D627,107 S 11/2010 Manzo et al.
 D629,909 S 12/2010 Chiu
 D642,277 S * 7/2011 Farrell D24/181
 D652,576 S 1/2012 Farrell
 8,105,079 B2 1/2012 Farrell
 D654,173 S 2/2012 Farrell
 D654,595 S 2/2012 Farrell
 8,322,344 B2 12/2012 Fisher et al.
 8,459,987 B2 6/2013 Farrell
 8,496,009 B2 7/2013 Manzo
 D717,447 S 11/2014 Farrell
 D717,448 S 11/2014 Farrell

D717,449 S 11/2014 Farrell
 D717,450 S 11/2014 Farrell
 D717,451 S 11/2014 Farrell
 8,920,163 B2 12/2014 Farrell
 D722,171 S 2/2015 Bergersen
 9,022,903 B2 5/2015 Rafih
 2003/0101999 A1 6/2003 Kittelsen et al.
 2004/0154625 A1 8/2004 Foley
 2005/0115571 A1 6/2005 Jacobs
 2006/0065277 A1 3/2006 Jacobs
 2006/0084024 A1 4/2006 Farrell
 2007/0254256 A1 11/2007 Farrell
 2008/0029585 A1 2/2008 Driessen
 2010/0196837 A1 8/2010 Farrell
 2011/0091833 A1 4/2011 Farrell
 2013/0059262 A1 3/2013 Farrell
 2013/0244195 A1 9/2013 Farrell
 2014/0352704 A1 12/2014 Farrell
 2014/0363781 A1* 12/2014 Farrell A61C 7/08
 433/6

FOREIGN PATENT DOCUMENTS

AU 319889 6/2008
 AU 319890 6/2008
 AU 2013205854 3/2014
 EM 000883541-0001 4/2008
 EM 000883541-0002 4/2008
 WO 2006/108209 10/2006
 WO 2009/026659 3/2009

OTHER PUBLICATIONS

Myofunctional Research Co., Pty. Ltd., Myobrace Orthodontics without braces, Appliance Catalogue, (Myobrace A Series appliance, see p. 6) offered for sale since Aug. 1, 2011, 8 pages.
 International Search Report from PCT/AU2005/001598, dated Oct. 10, 2005.
 International Search Report from PCT/AU2008/001293, dated Dec. 22, 2008.

* cited by examiner

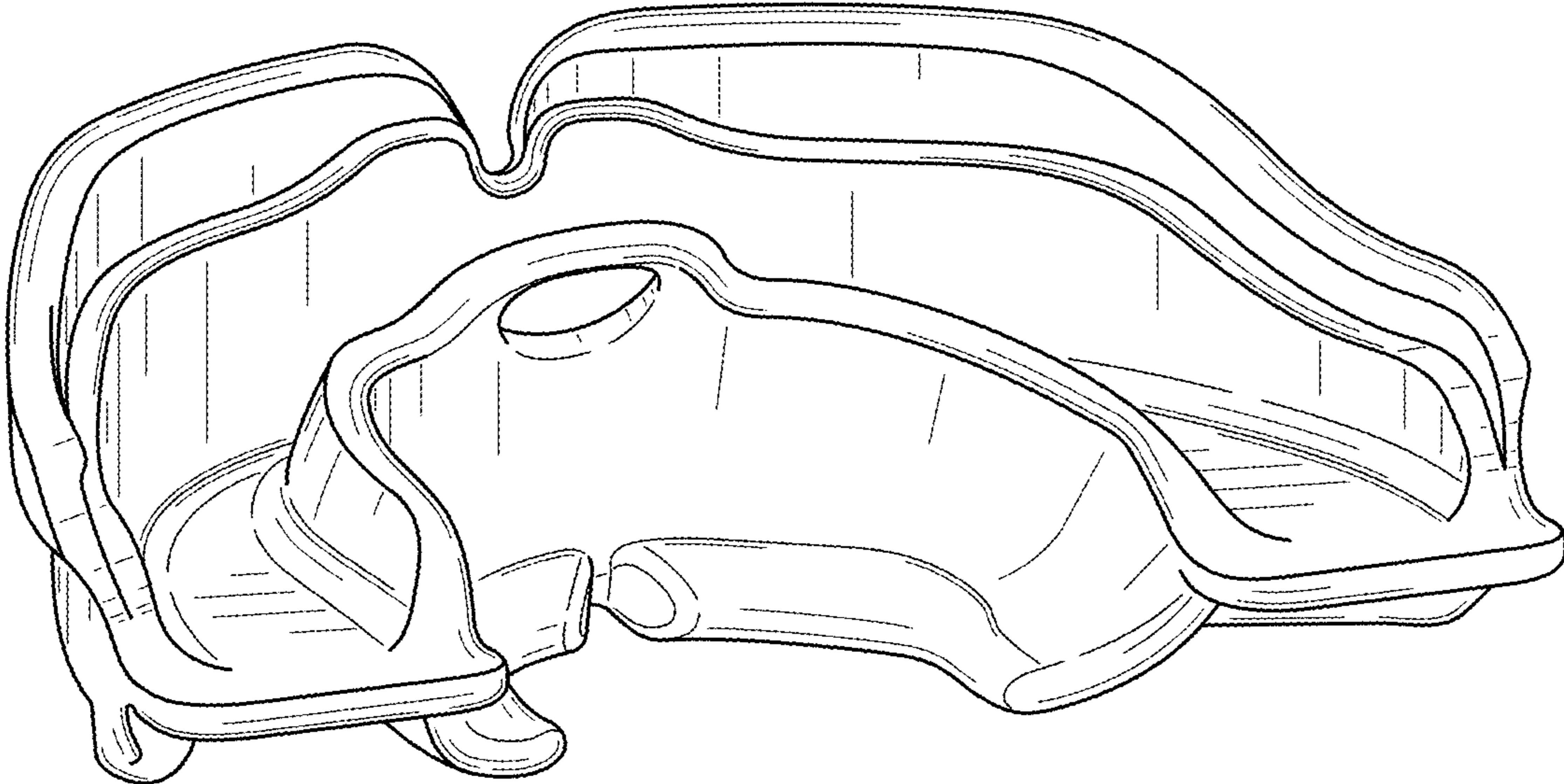


FIG. 1

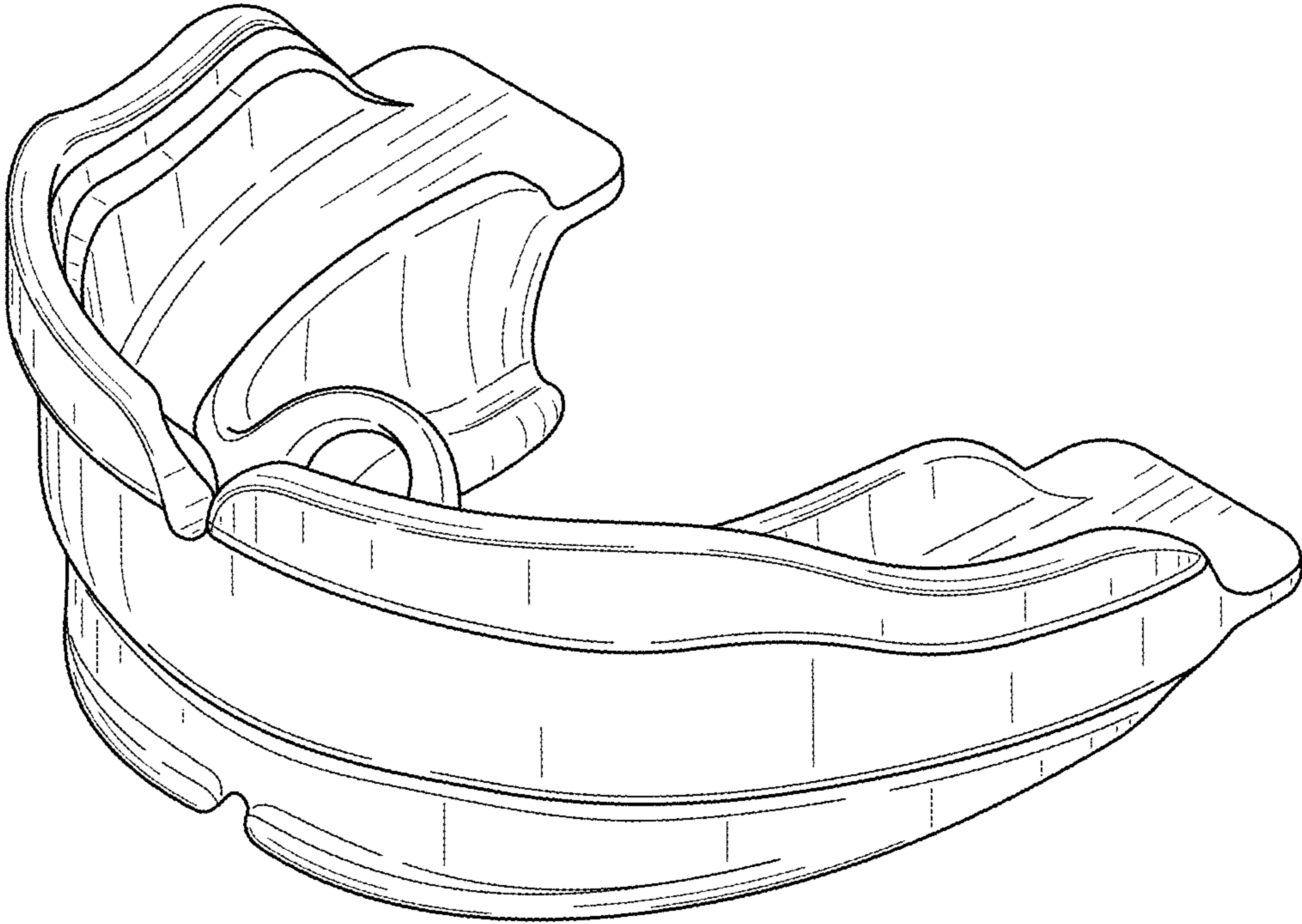


FIG. 2

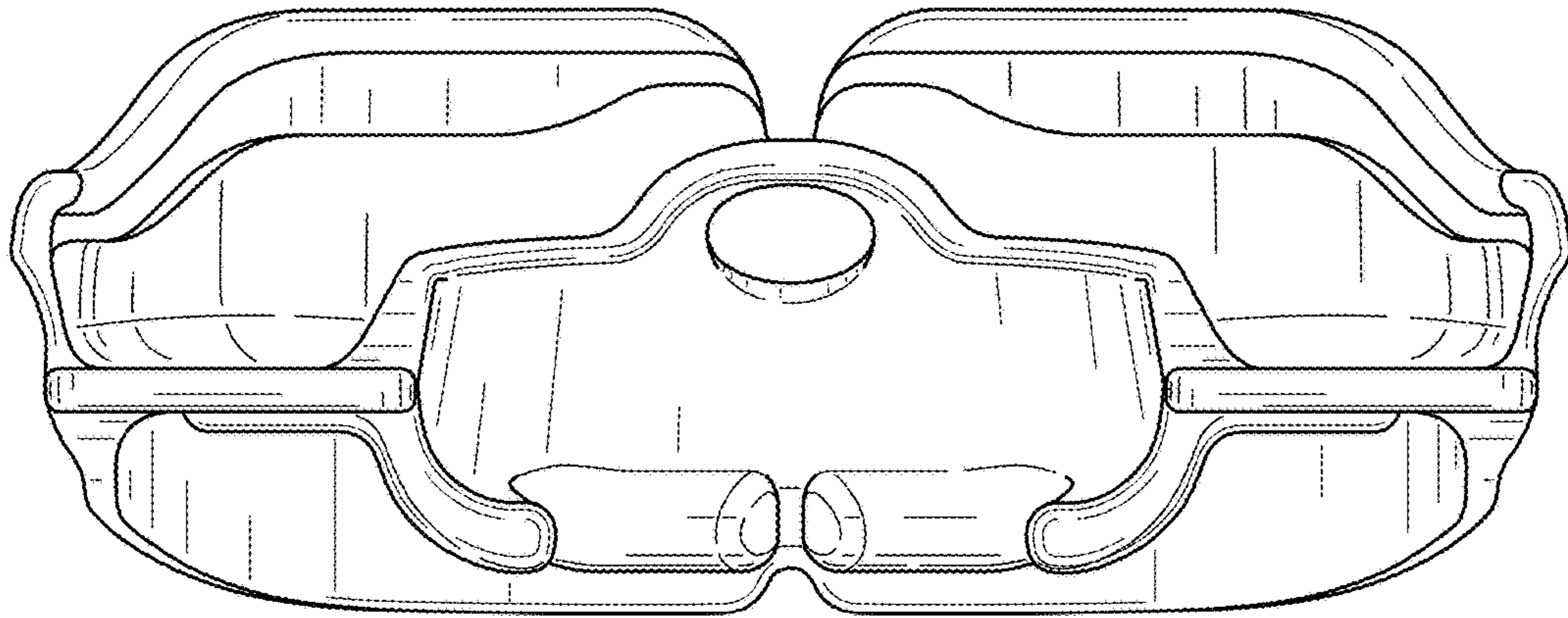


FIG. 3

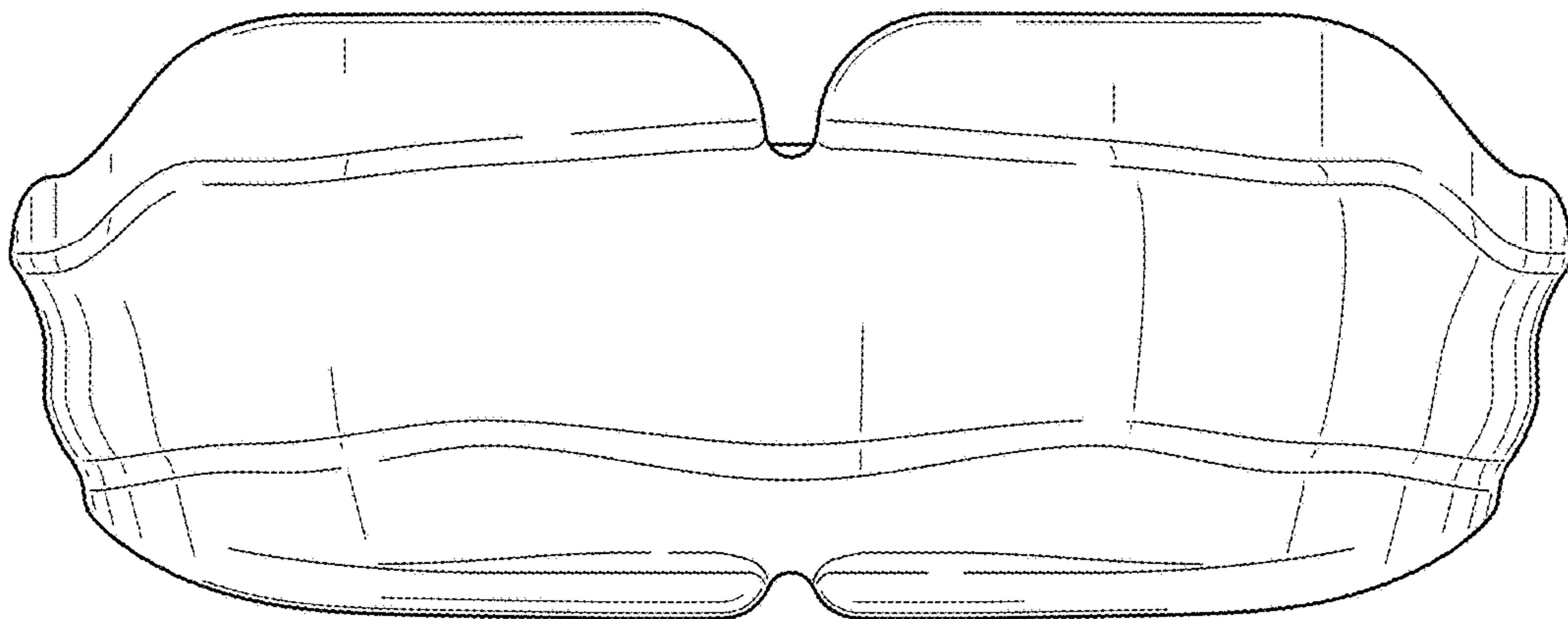


FIG. 4

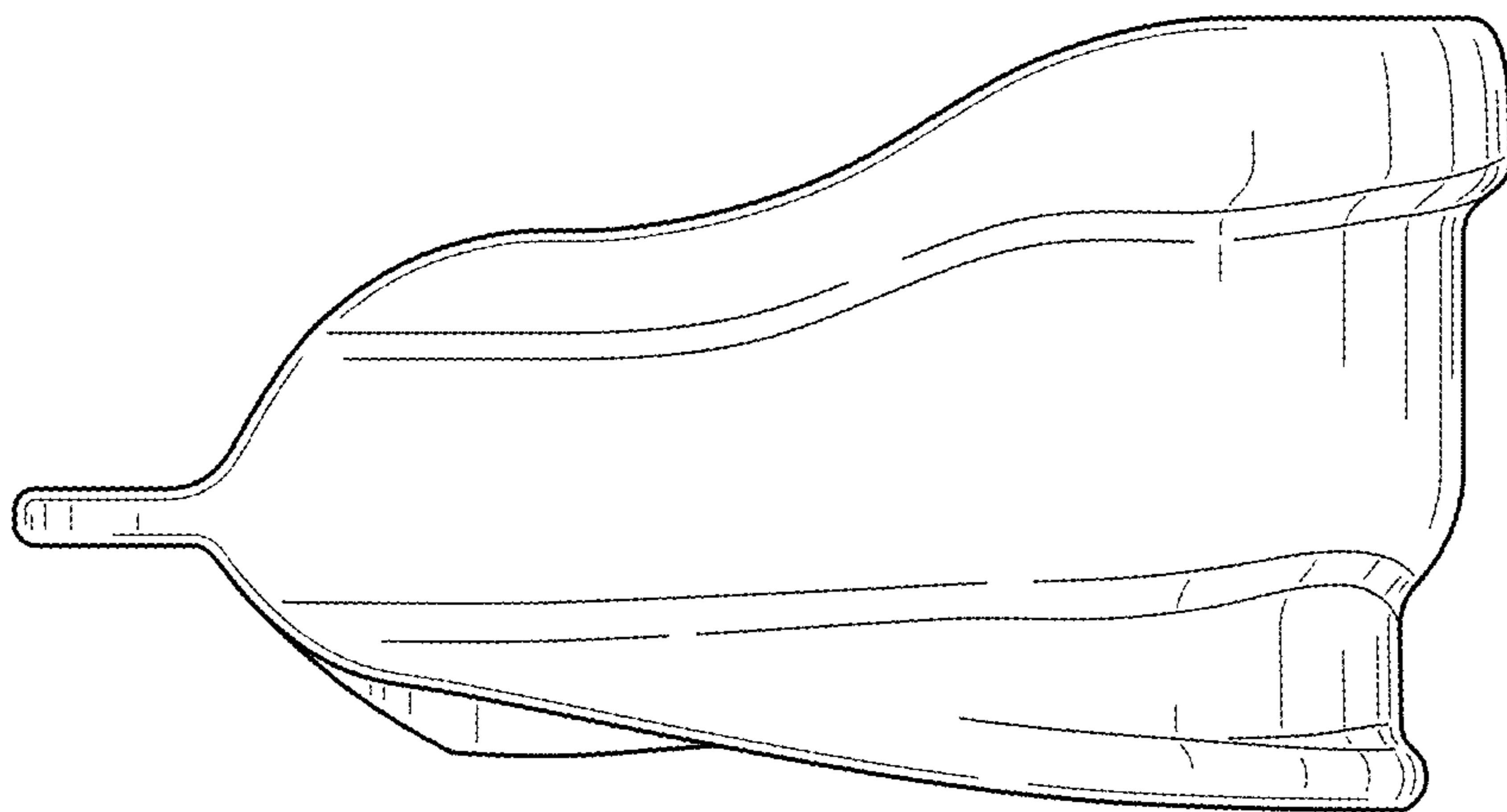


FIG. 5

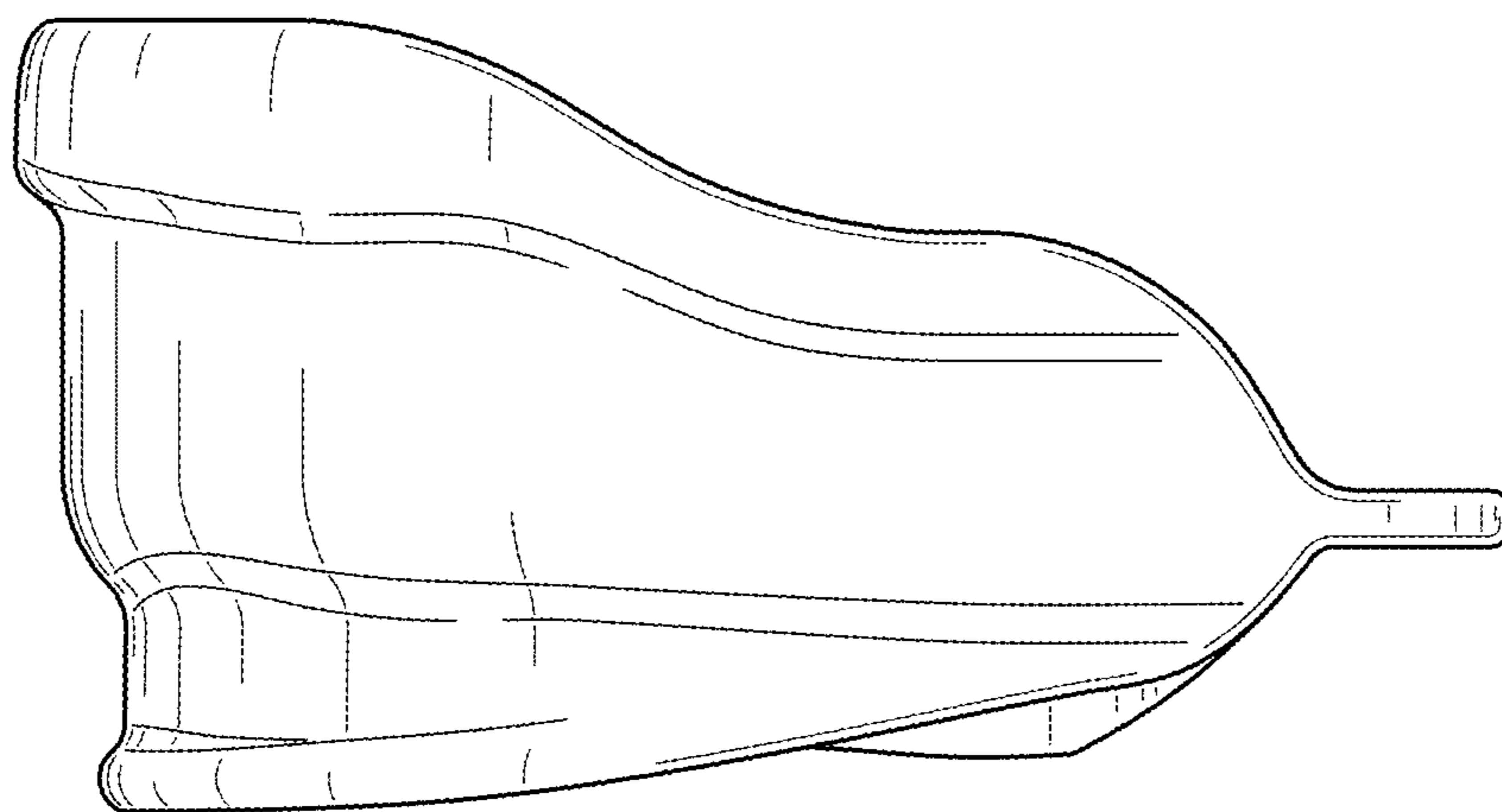


FIG. 6

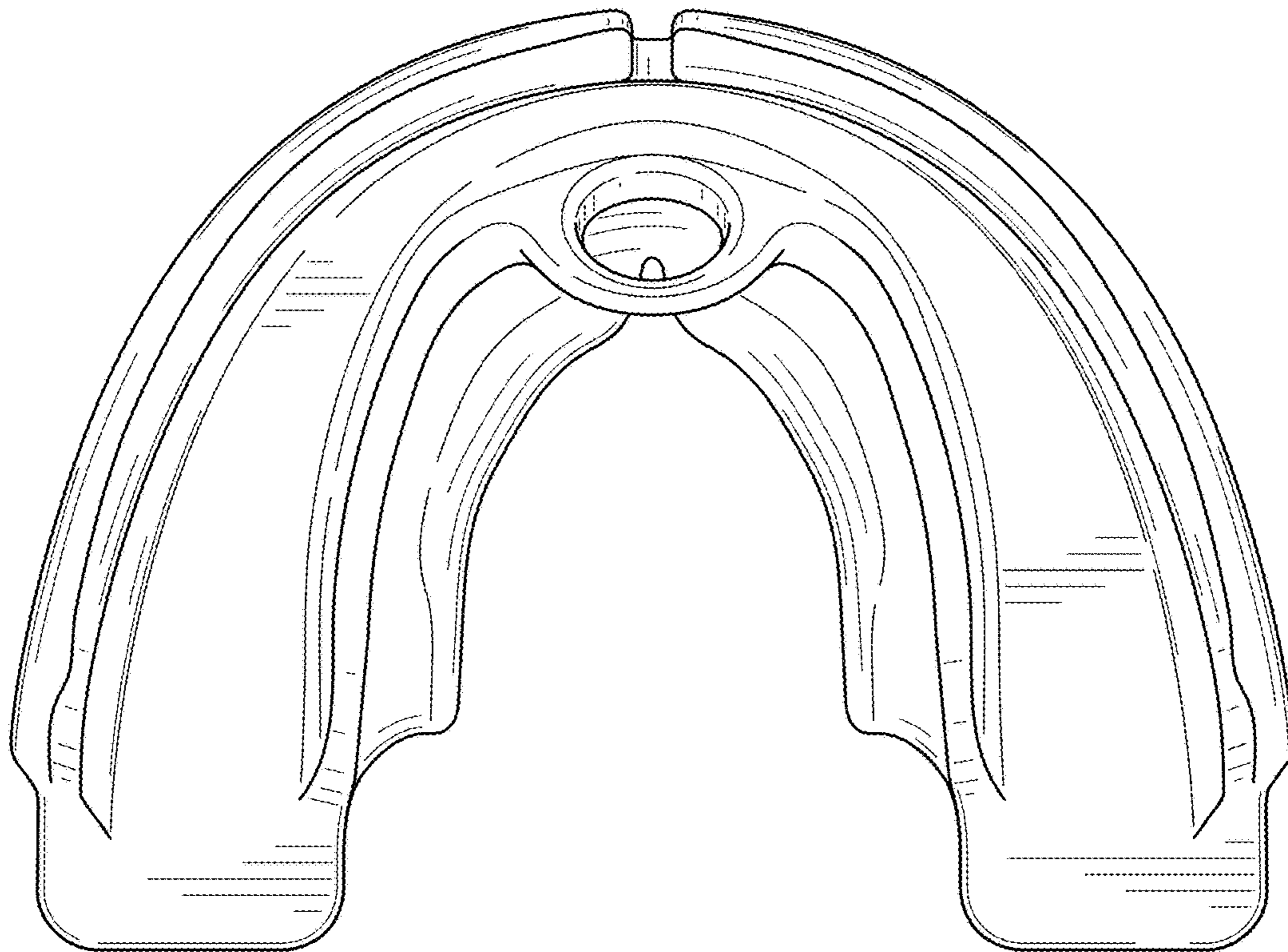


FIG. 7

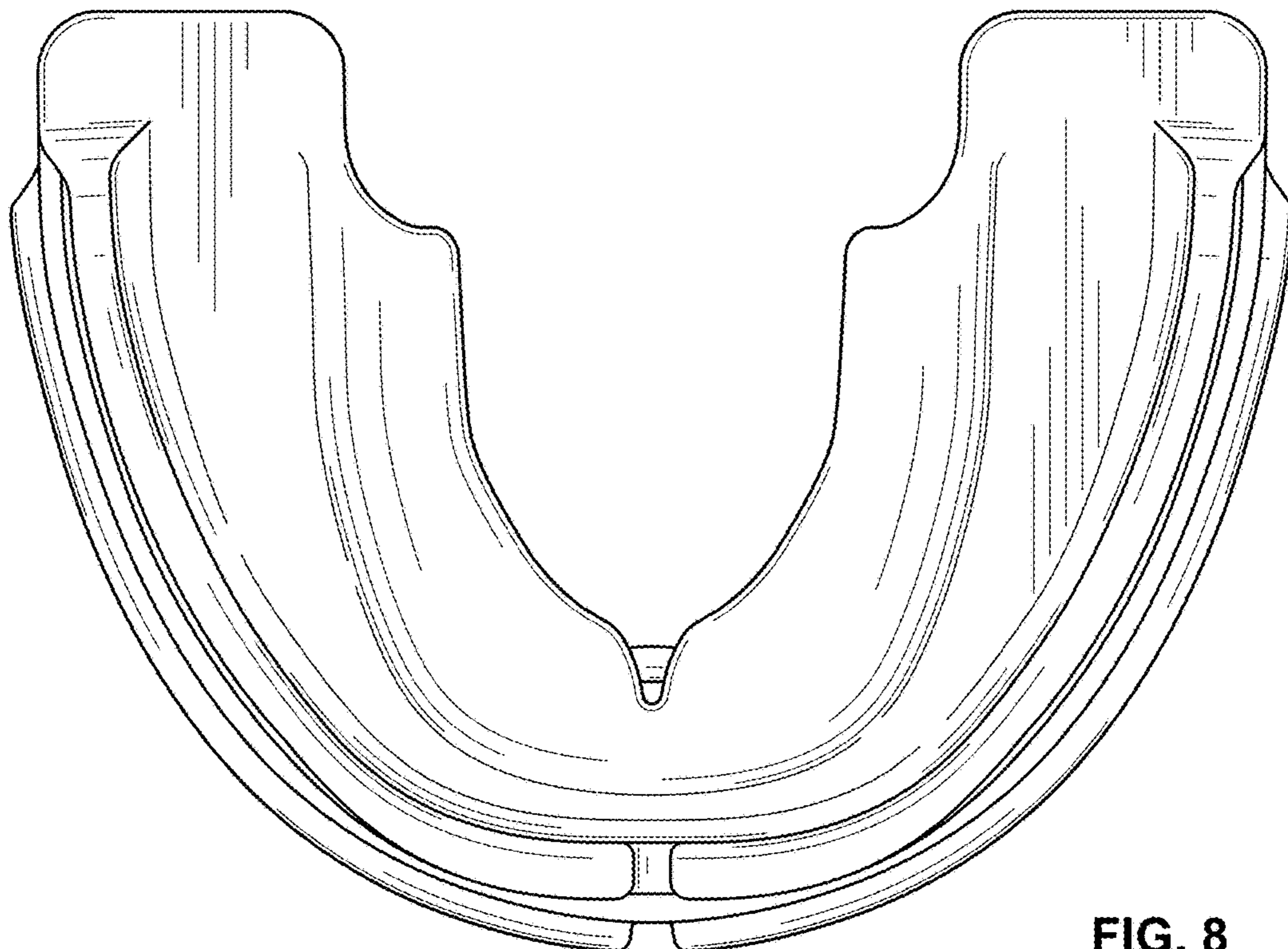


FIG. 8