



US00D815287S

(12) **United States Design Patent**
Hampe et al.

(10) **Patent No.:** **US D815,287 S**
(45) **Date of Patent:** **** *Apr. 10, 2018**

(54) **INCUBATOR FOR NEWBORN INFANTS**
(71) Applicant: **Drägerwerk AG & Co. KGaA**, Lübeck (DE)
(72) Inventors: **Markus Hampe**, Lübeck (DE); **Rene de Jonge**, Delft (NL); **Caroline Noordijk**, Delft (NL); **Marcel Plug**, Delft (NL)
(73) Assignee: **DRÄGERWERK AG & CO. KGAA**, Lübeck (DE)

D607,106 S * 12/2009 Chen D24/163
D706,931 S * 6/2014 Matsubara D24/163
D722,381 S * 2/2015 Mareguddi D24/163
2010/0222638 A1 * 9/2010 Chilton, III A61G 11/00
600/22
2010/0286471 A1 * 11/2010 Matsubara A61G 11/00
600/22
2013/0217981 A1 * 8/2013 Kneuer A61B 5/01
600/301
2016/0158085 A1 * 6/2016 Matsubara A61G 11/006
600/22

* cited by examiner

(*) Notice: This patent is subject to a terminal disclaimer.

Primary Examiner — Anhdao Doan

(**) Term: **15 Years**

(74) *Attorney, Agent, or Firm* — Taft Stettinius & Hollister LLP; Stephen F. Rost

(21) Appl. No.: **29/585,126**

(22) Filed: **Nov. 21, 2016**

(57) **CLAIM**

(30) **Foreign Application Priority Data**

May 24, 2016 (EM) 003148667-0011

The ornamental design for an incubator for newborn infants, as shown and described.

(51) **LOC (11) Cl.** **24-01**

DESCRIPTION

(52) **U.S. Cl.**
USPC **D24/163**

(58) **Field of Classification Search**
USPC D24/163, 164, 185, 186, 206, 107;
D30/108, 117, 199

FIG. 1 is a perspective view of an incubator for newborn infants that illustrates the novel design;
FIG. 2 is a front view thereof;
FIG. 3 is a left view thereof;
FIG. 4 is a right view thereof;
FIG. 5 is a top view thereof;
FIG. 6 is a bottom view thereof; and,
FIG. 7 is a rear view thereof.

CPC A61G 11/00; A61G 11/002; A61G 11/005;
A61G 11/009; A01K 41/00; A01K 41/02;
A01K 41/04

See application file for complete search history.

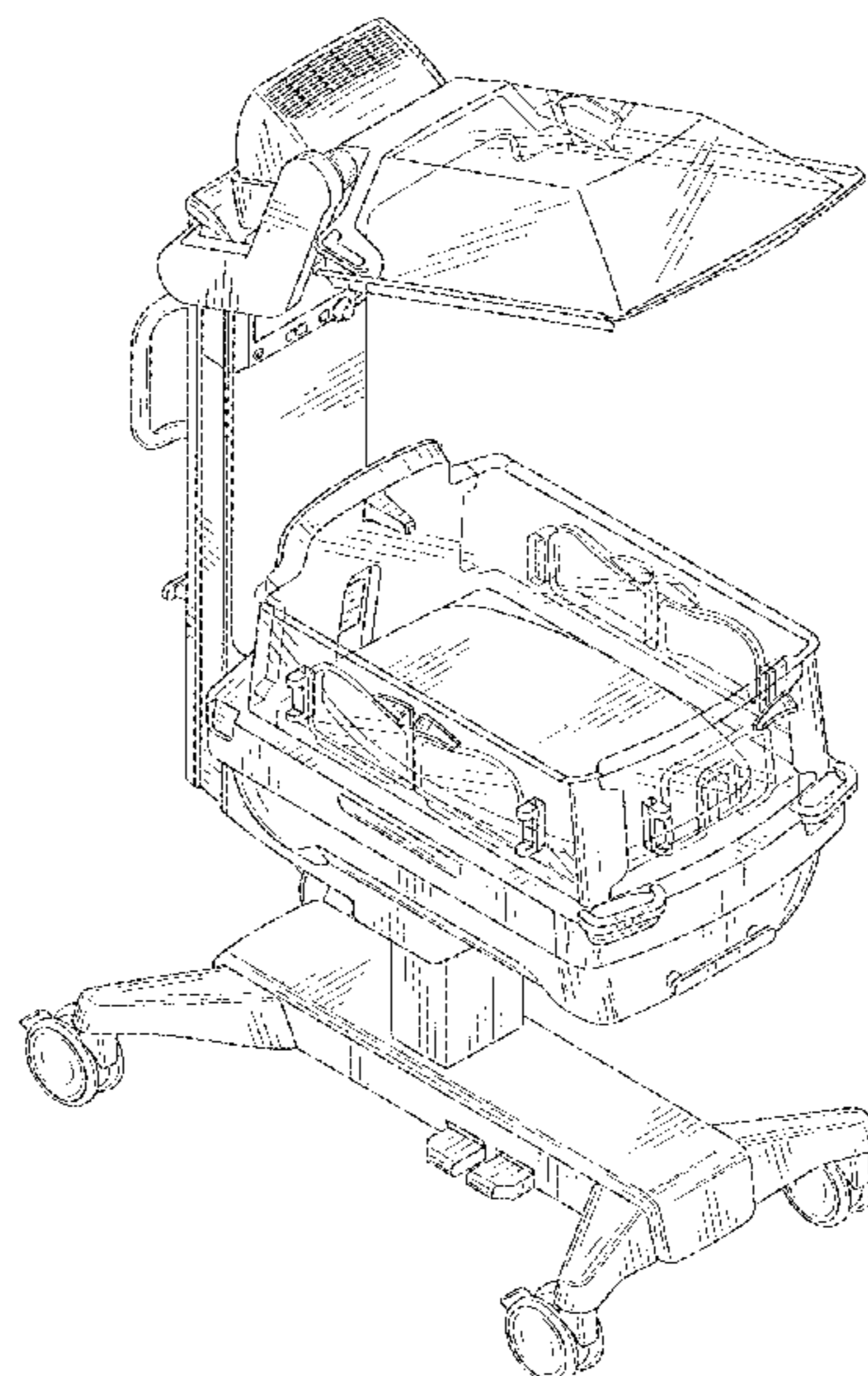
The broken lines illustrate portions of the incubator for newborn infants that form no part of the claimed design.

(56) **References Cited**

U.S. PATENT DOCUMENTS

D601,704 S * 10/2009 Chilton, III D24/163
D604,416 S * 11/2009 Chilton, III A61G 11/00
D24/163

1 Claim, 7 Drawing Sheets



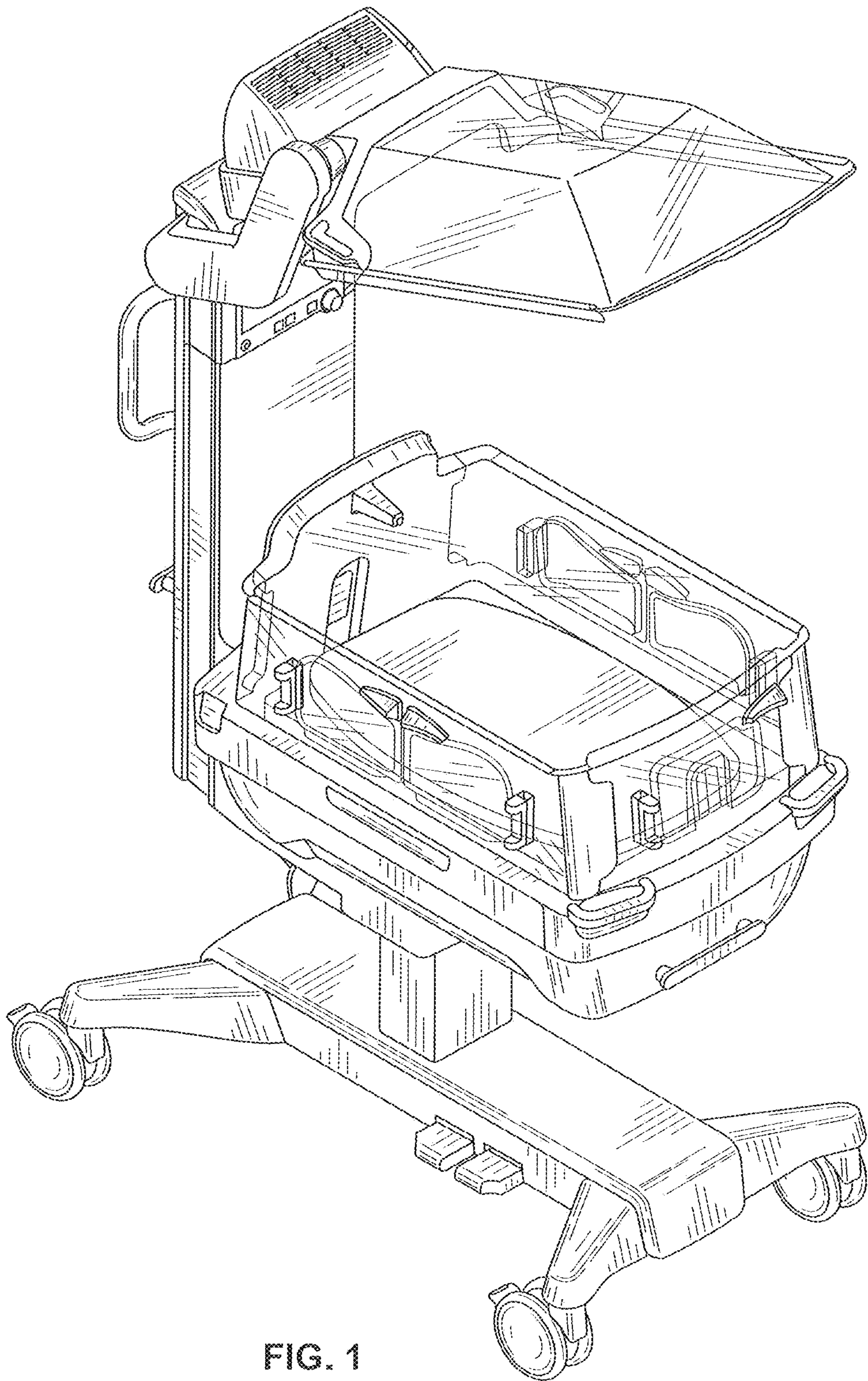


FIG. 1

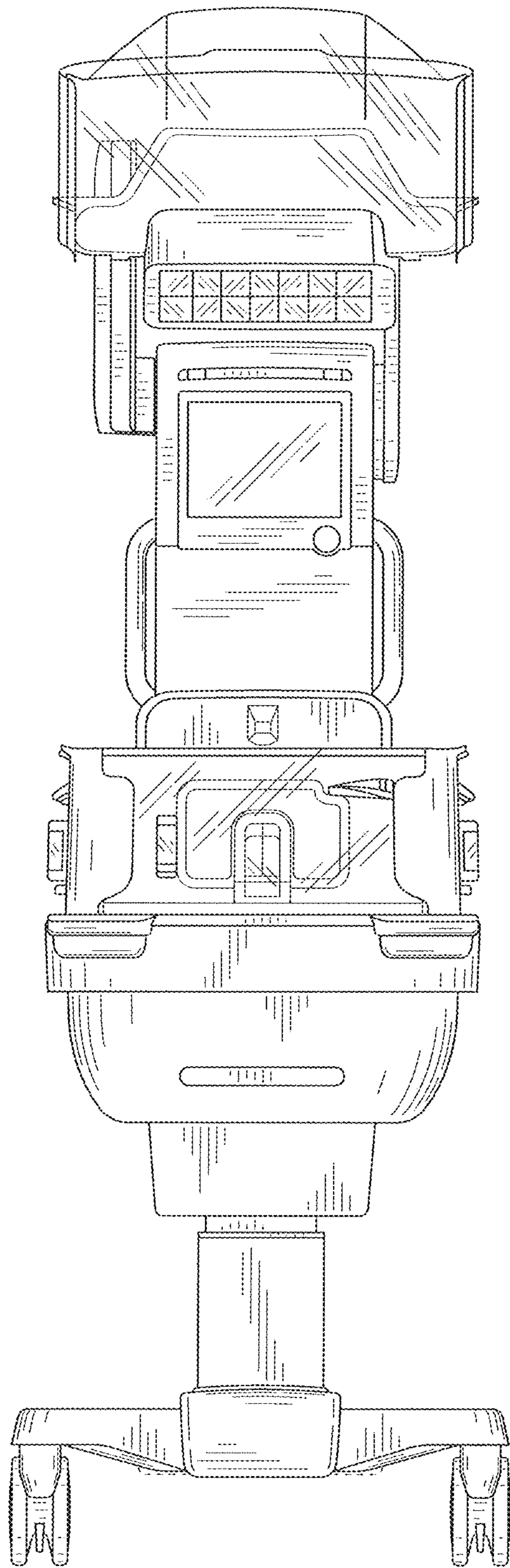


FIG. 2

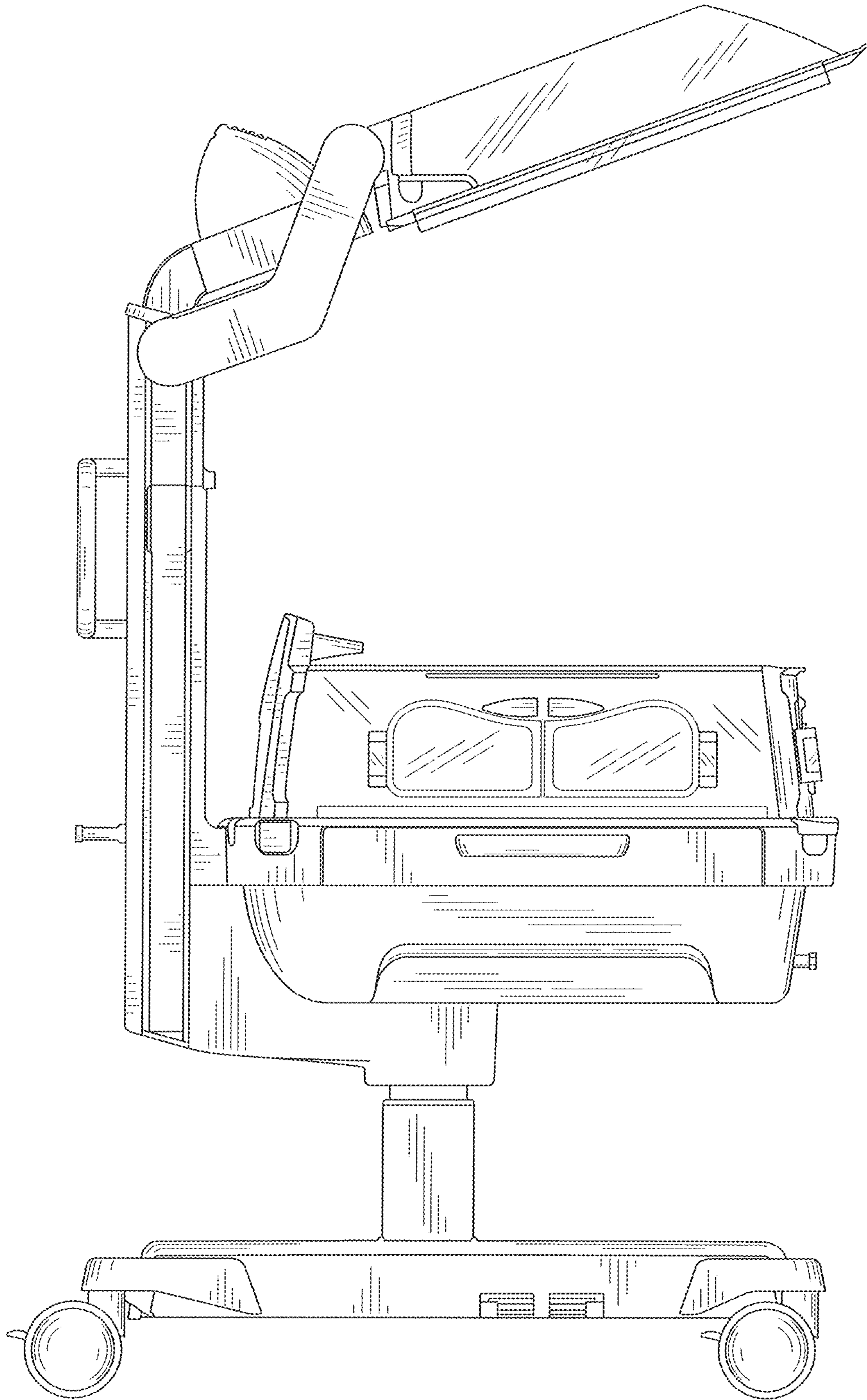


FIG. 3

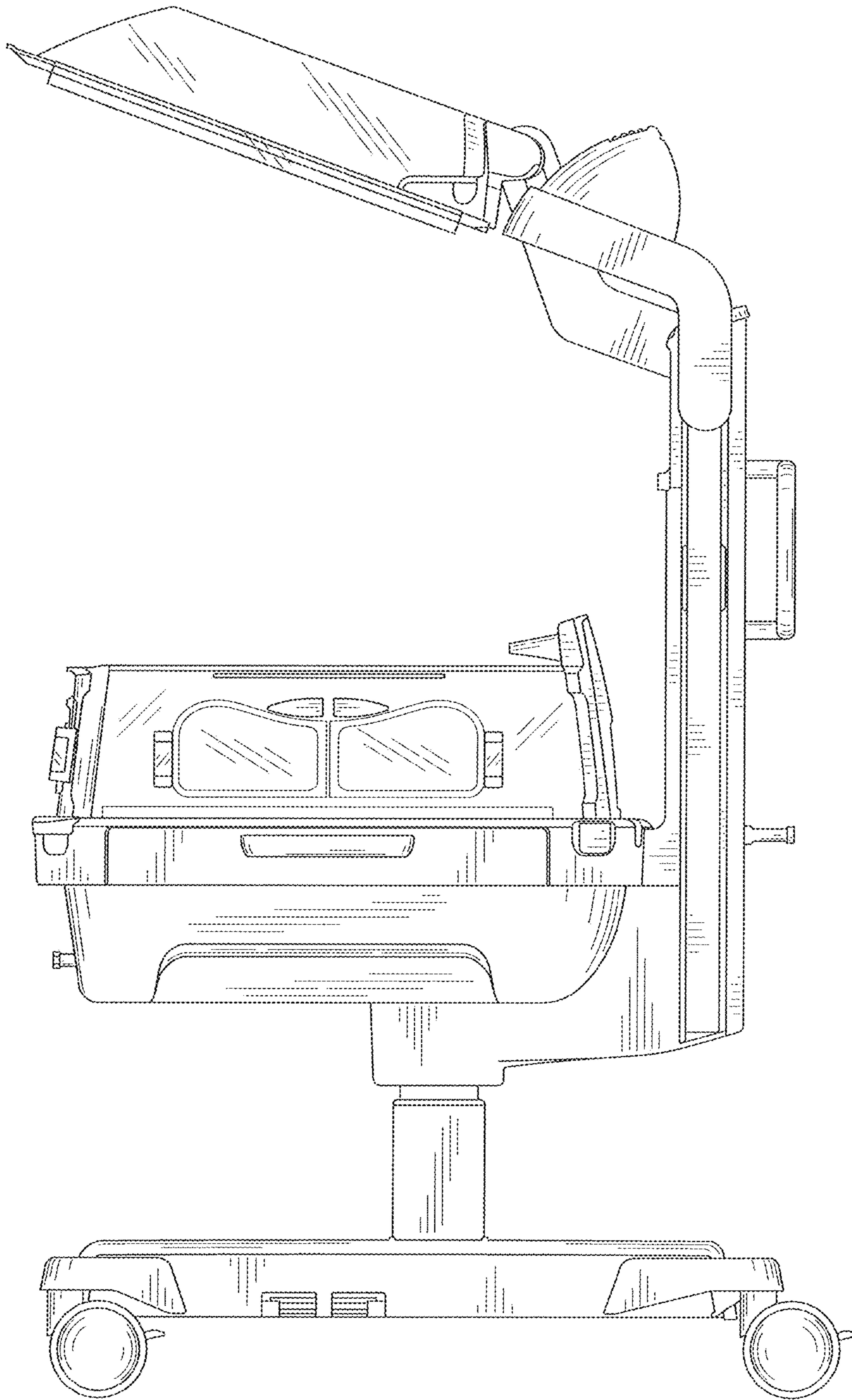


FIG. 4

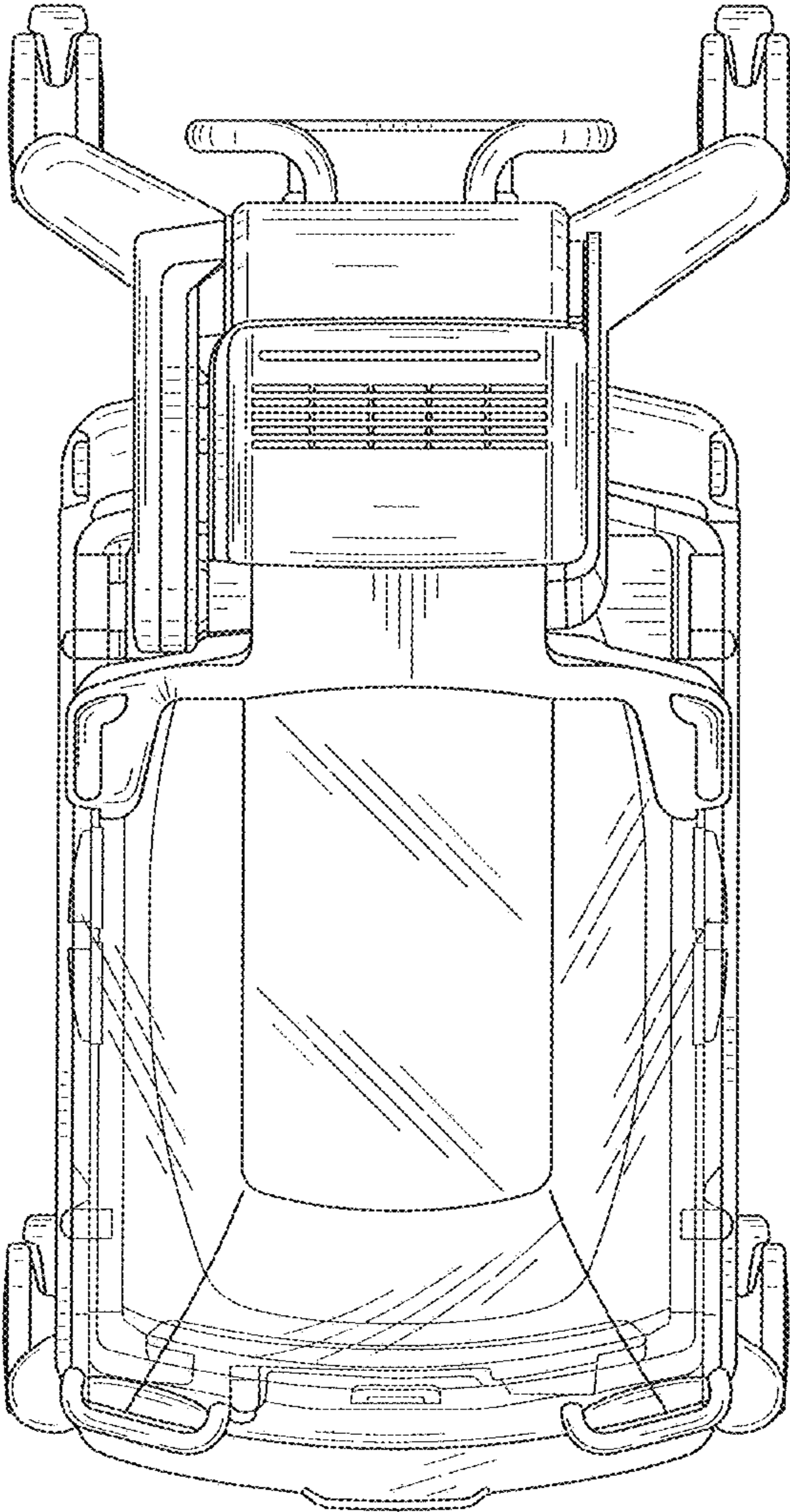


FIG. 5

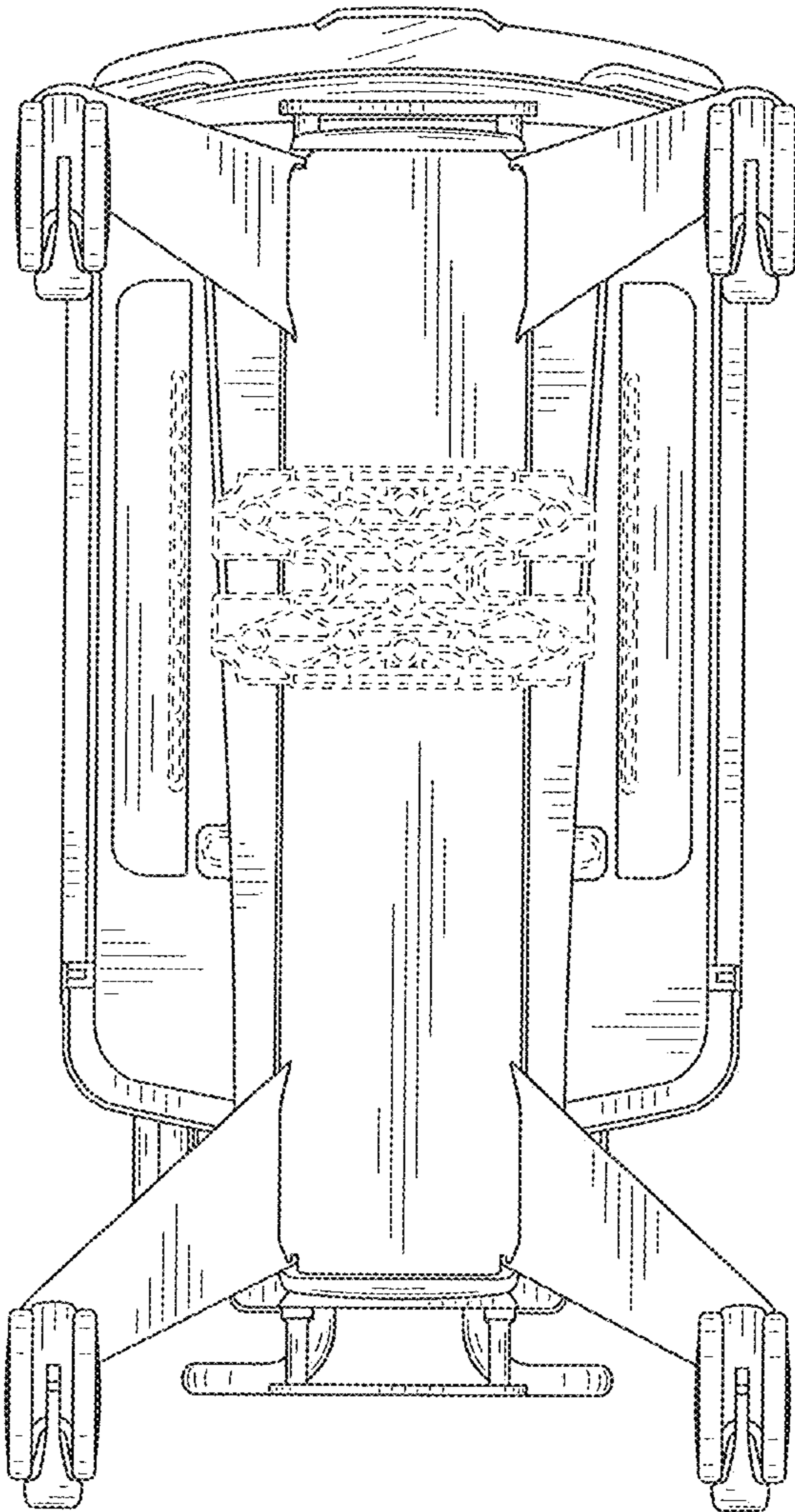


FIG. 6

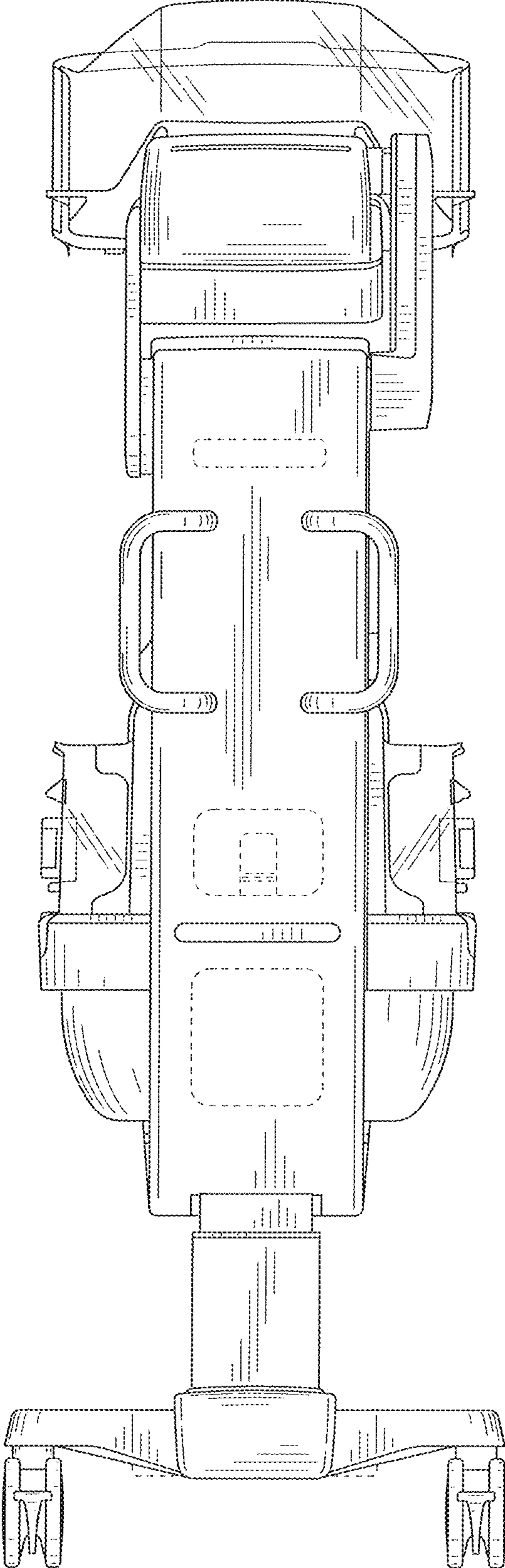


FIG. 7