



US00D815286S

(12) **United States Design Patent**
Underwood

(10) **Patent No.:** **US D815,286 S**
(45) **Date of Patent:** **** Apr. 10, 2018**

(54) **MONITOR FOR AN INCUBATOR**

- (71) Applicant: **General Electric Company**,
Schenectady, NY (US)
- (72) Inventor: **Thomas Underwood**, Sykesville, MD
(US)
- (73) Assignee: **General Electric Company**,
Schenectady, NY (US)
- (**) Term: **15 Years**

- (21) Appl. No.: **29/538,946**
- (22) Filed: **Sep. 9, 2015**
- (51) **LOC (11) Cl.** **24-01**
- (52) **U.S. Cl.**
USPC **D24/163**
- (58) **Field of Classification Search**
USPC D24/163, 164, 185, 186, 206, 107;
D30/108, 117, 199; D14/129, 371, 374,
D14/336, 448-450; D10/106.6
CPC A61G 11/00; A61G 11/002; A61G 11/005;
A61G 11/009; A01K 41/00; A01K 41/02;
A01K 41/04
See application file for complete search history.

(56) **References Cited**

U.S. PATENT DOCUMENTS

D414,870 S *	10/1999	Saltzstein	D24/186
D521,962 S	5/2006	Voege et al.		
D536,012 S *	1/2007	Dayan	D14/129
D540,795 S *	4/2007	Takahashi	D14/317
D638,014 S *	5/2011	Chong	D14/336
D638,015 S *	5/2011	Chong	D14/341
D662,578 S *	6/2012	Blanking	D23/366
D697,215 S *	1/2014	Billard	D24/186
D710,848 S *	8/2014	Paulsen	D14/341

(Continued)

FOREIGN PATENT DOCUMENTS

JP 1144405 S 6/2002

OTHER PUBLICATIONS

“MobiCam Digital DL Audio/Video Color Monitoring System,”
Toys R US Website, Retrieved Online from www.toysrus.com/product/prodpop.jsp?LargeImageURL=http%3A//TRUS.imageg.net/graphics/product_images/pTRU1-10200436dt.jpg&displayTab=enh&productId=11577223&totCount=0,
As available Dec. 2011, 6 pages.

Primary Examiner — Anhdao Doan

(74) *Attorney, Agent, or Firm* — McCoy Russell LLP

(57) **CLAIM**

The ornamental design for a monitor for an incubator, as shown and described.

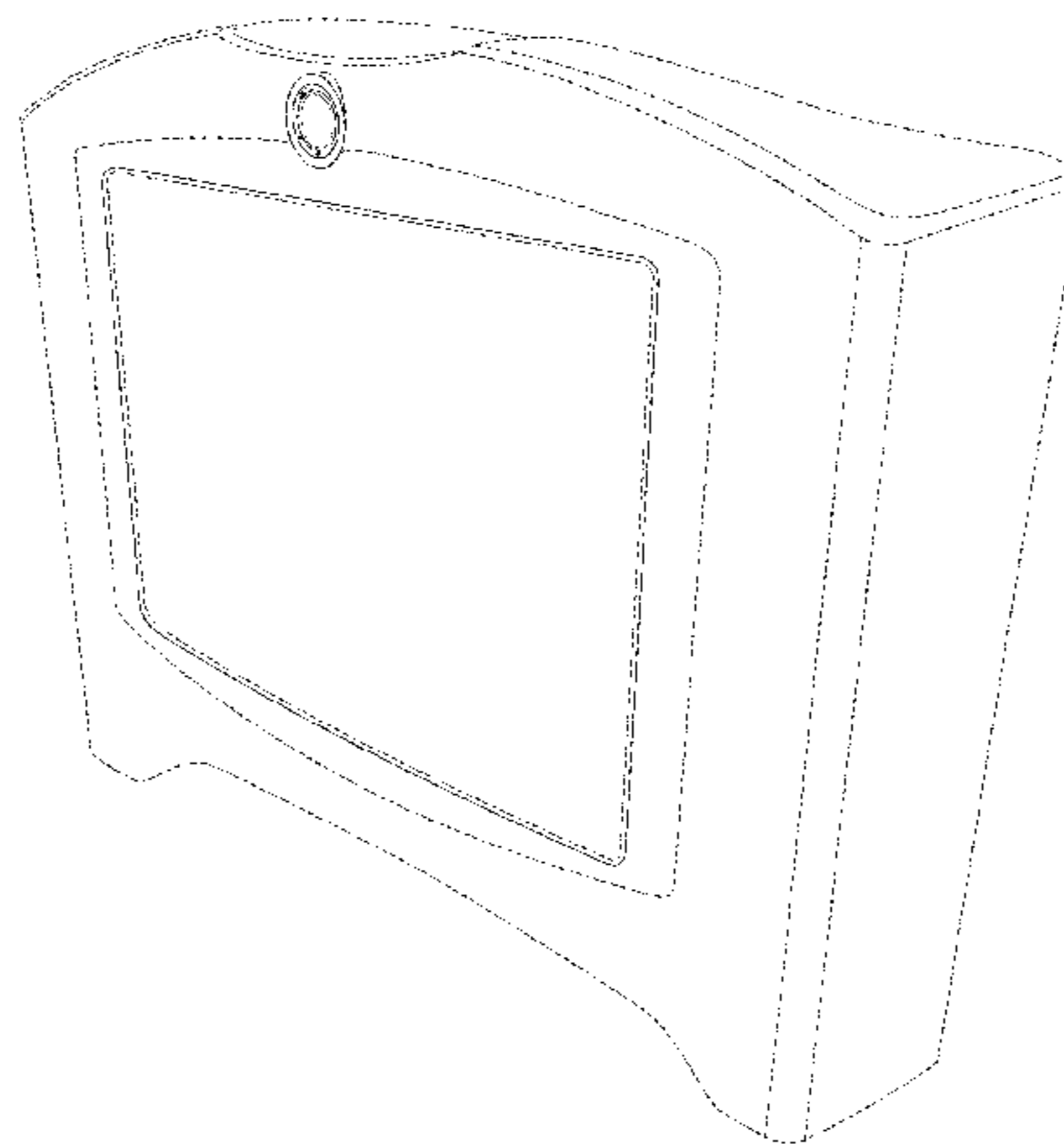
DESCRIPTION

FIG. 1 is a front perspective view of a design for a monitor for an incubator including a position of a motion sensor.
 FIG. 2 is an enlarged front perspective view of the design for the monitor for an incubator of FIG. 1.
 FIG. 3 is a front view of the monitor for an incubator of FIG. 1.
 FIG. 4 is an enlarged partial front view of the monitor for an incubator of FIG. 3.
 FIG. 5 is a back view of the monitor for an incubator of FIG. 1.
 FIG. 6 is a top view of the monitor for an incubator of FIG. 1.
 FIG. 7 is a bottom view of the monitor for an incubator of FIG. 1.
 FIG. 8 is a right side view of the monitor for an incubator of FIG. 1; and,
 FIG. 9 is a left side view of the monitor for an incubator of FIG. 1.

The broken lines in the drawing views are included for the purpose of illustrating portions of the monitor that form no part of the claimed design.

Surfaces adjacent to the edge line of the display screen in FIGS. 1-4 form no part of the claimed design.

1 Claim, 9 Drawing Sheets



(56)

References Cited

U.S. PATENT DOCUMENTS

D753,657 S	*	4/2016	Zuccarino	D14/317
D759,254 S	*	6/2016	Knieriem	D24/186
D762,862 S	*	8/2016	Kim	D24/186

* cited by examiner

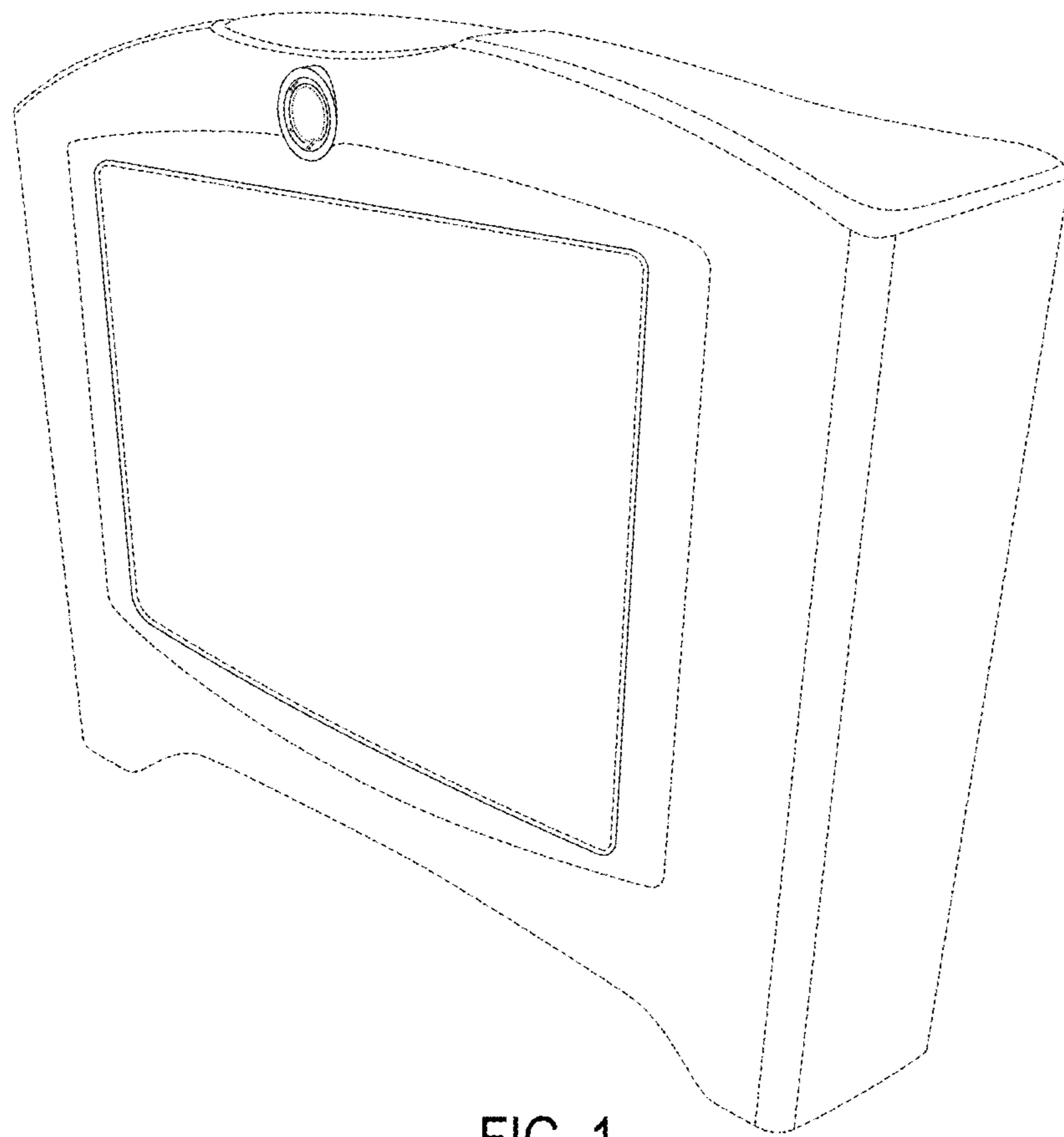


FIG. 1

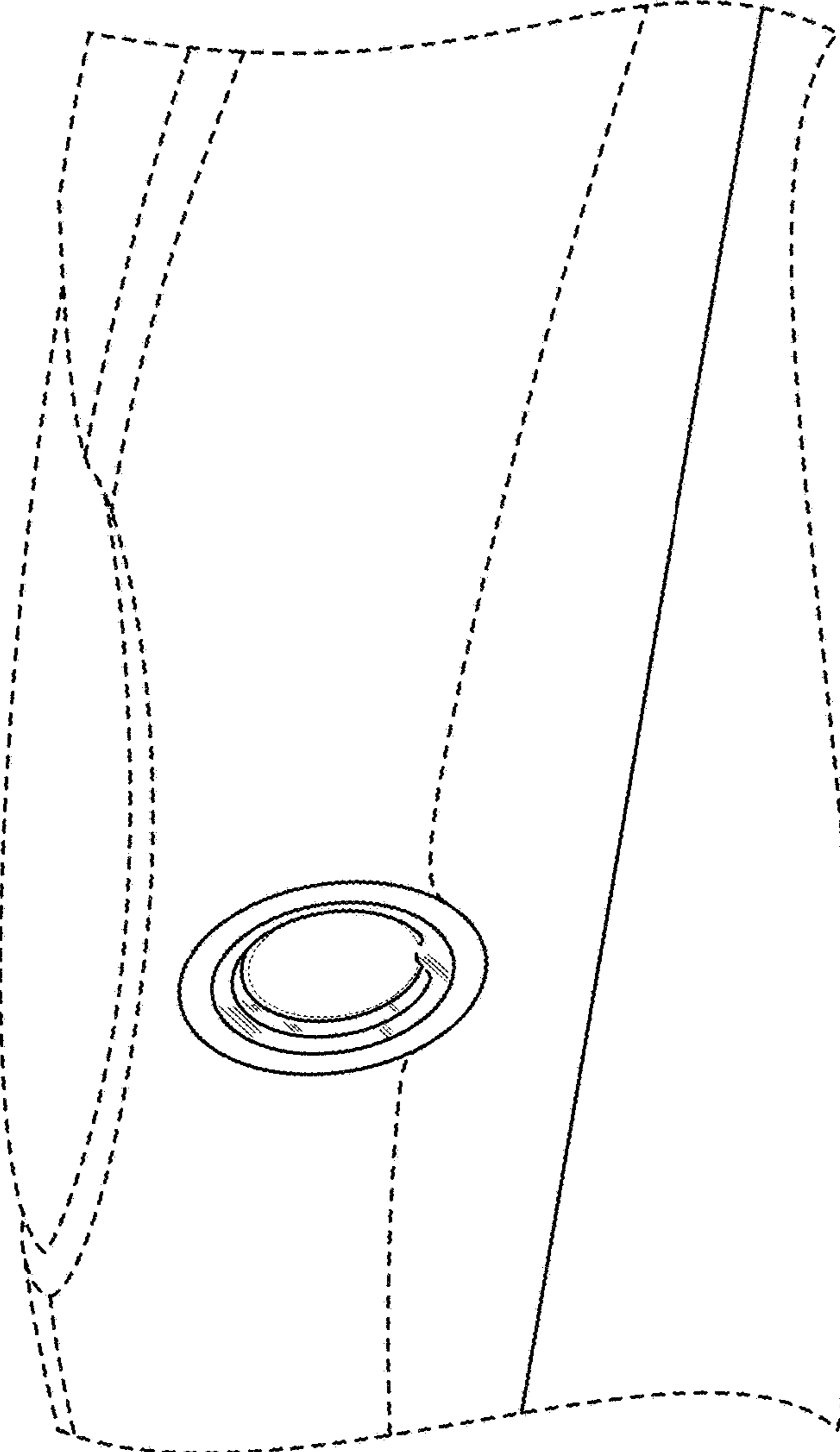


FIG. 2

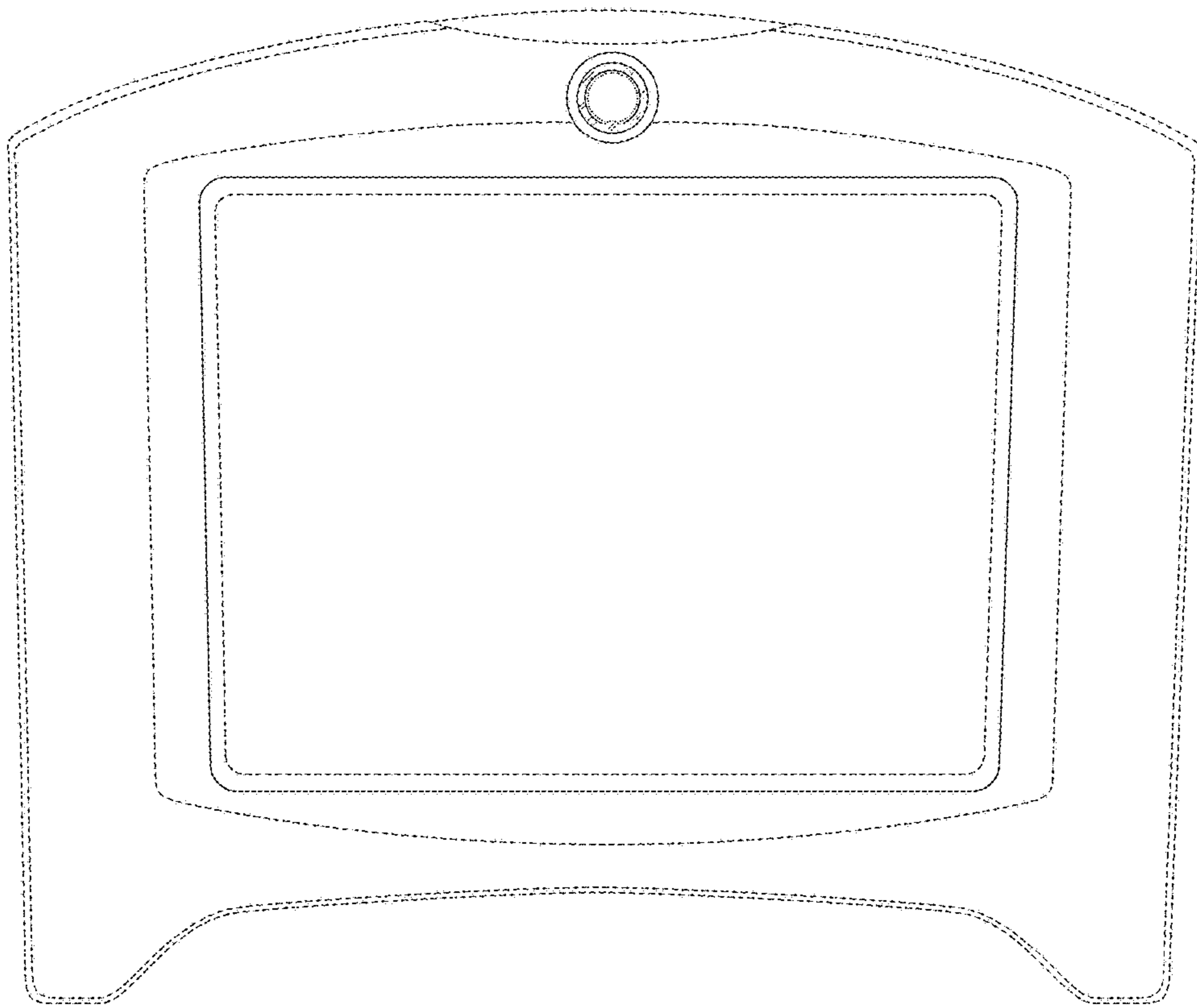


FIG. 3

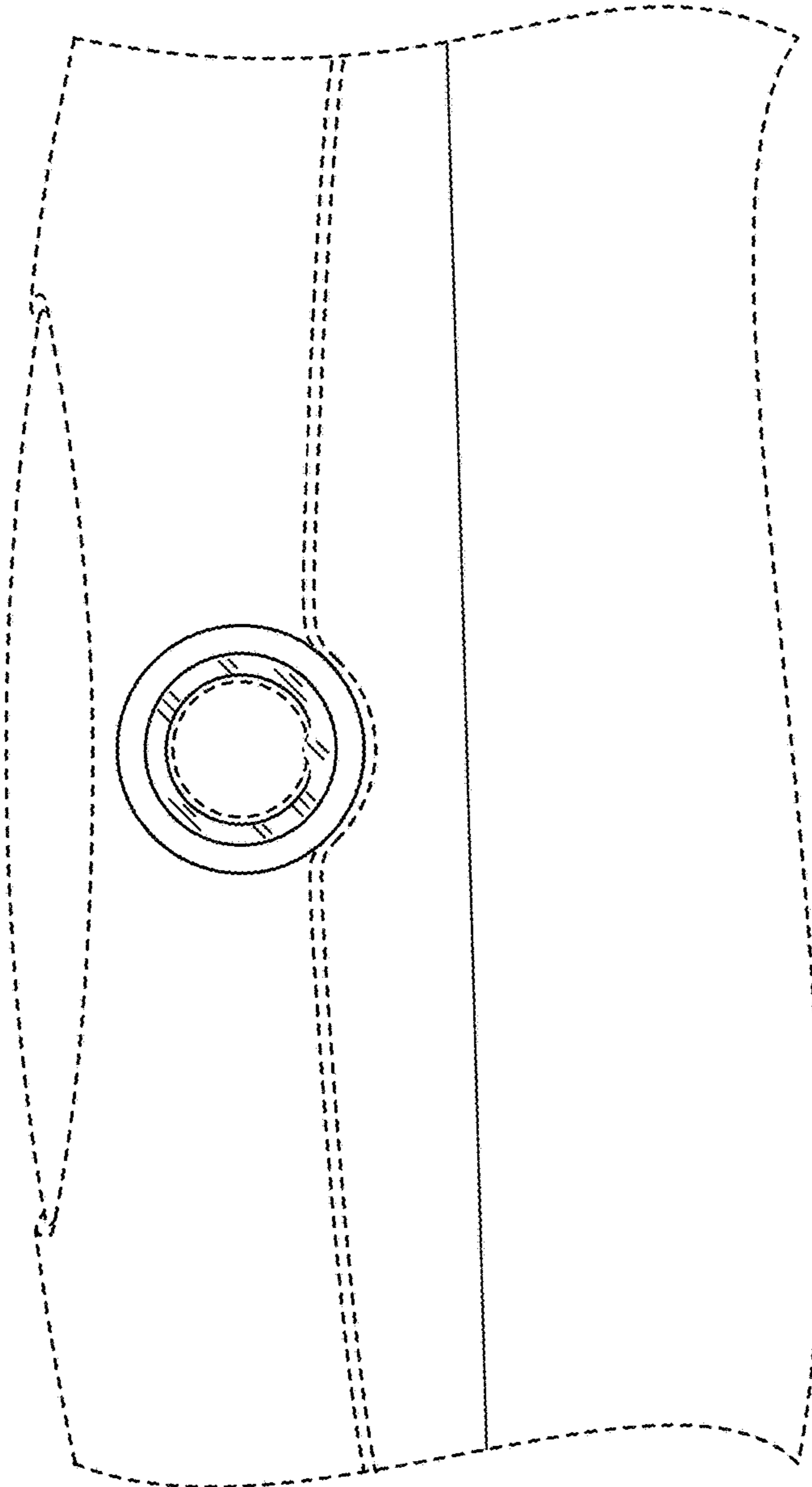


FIG. 4

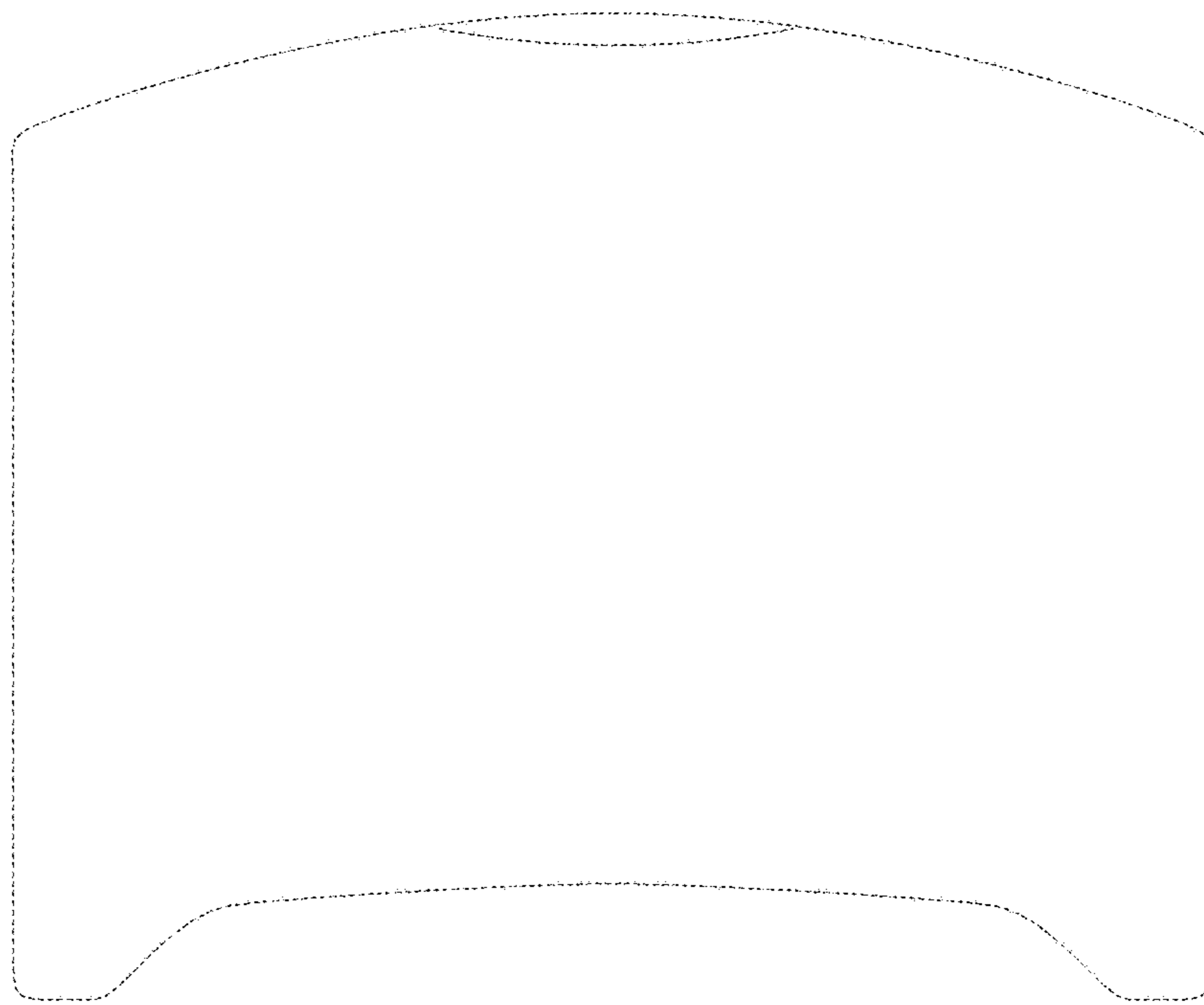


FIG. 5

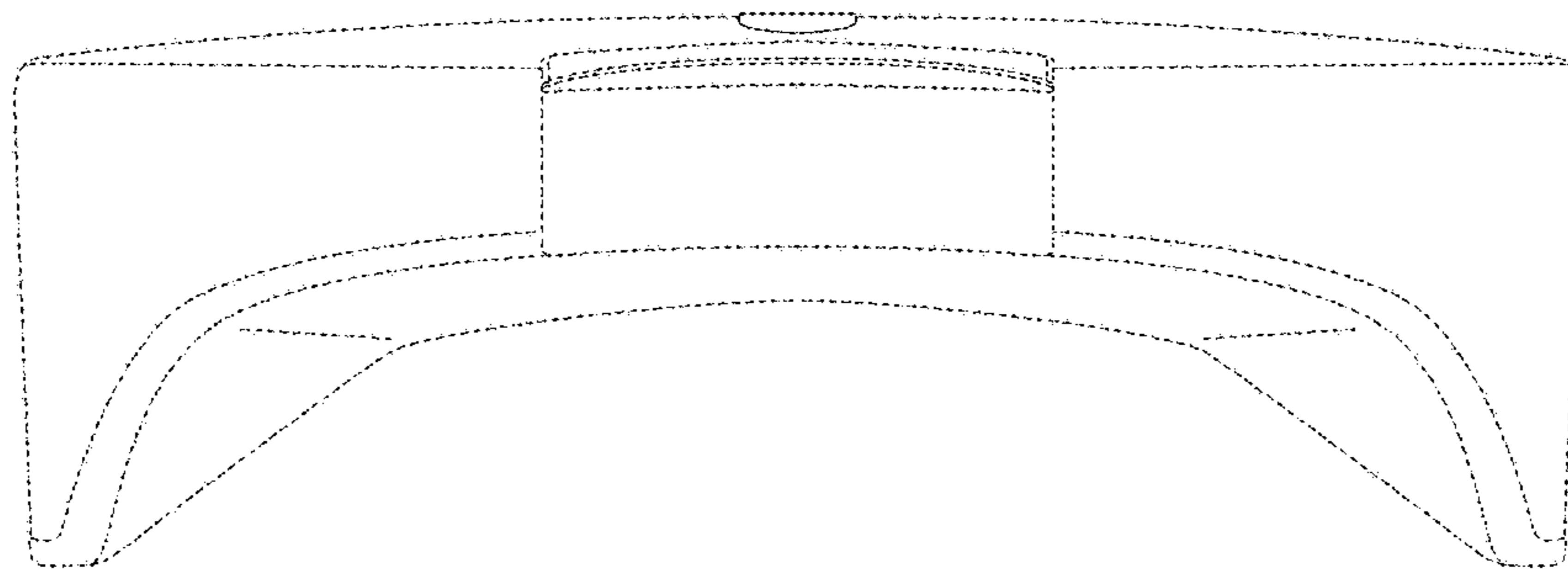


FIG. 6

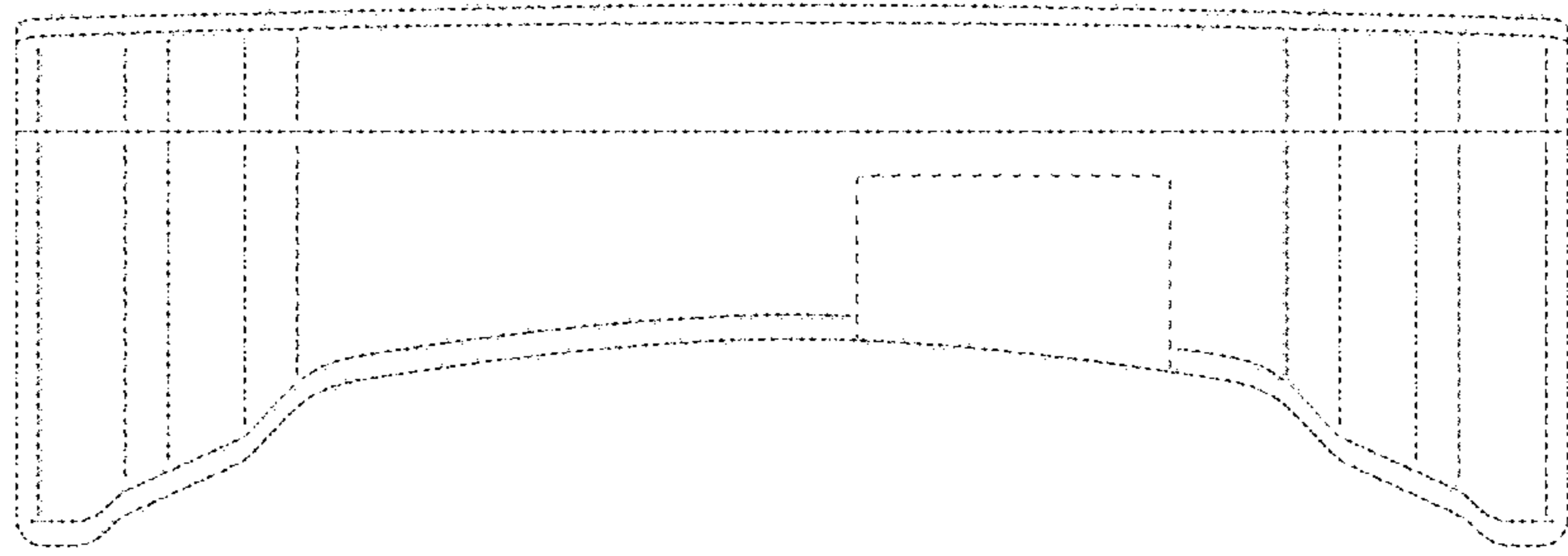


FIG. 7

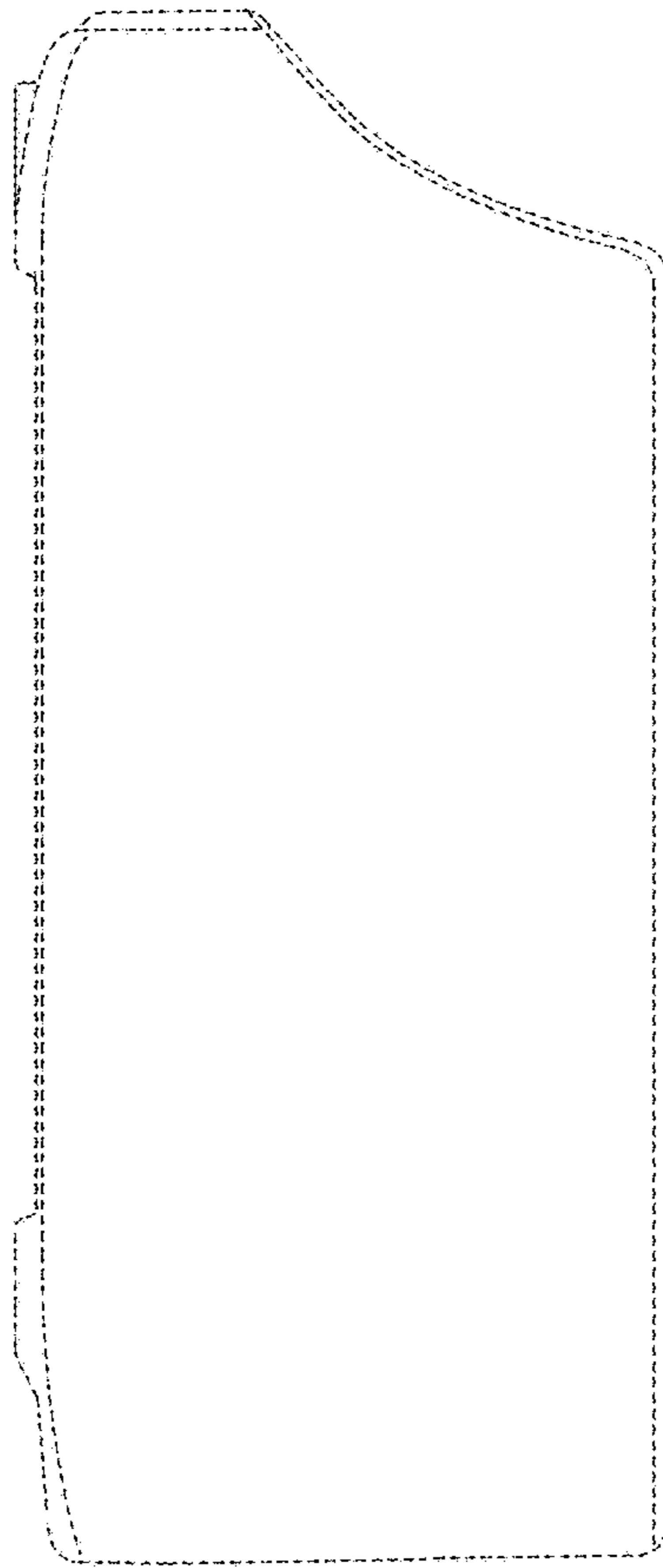


FIG. 8

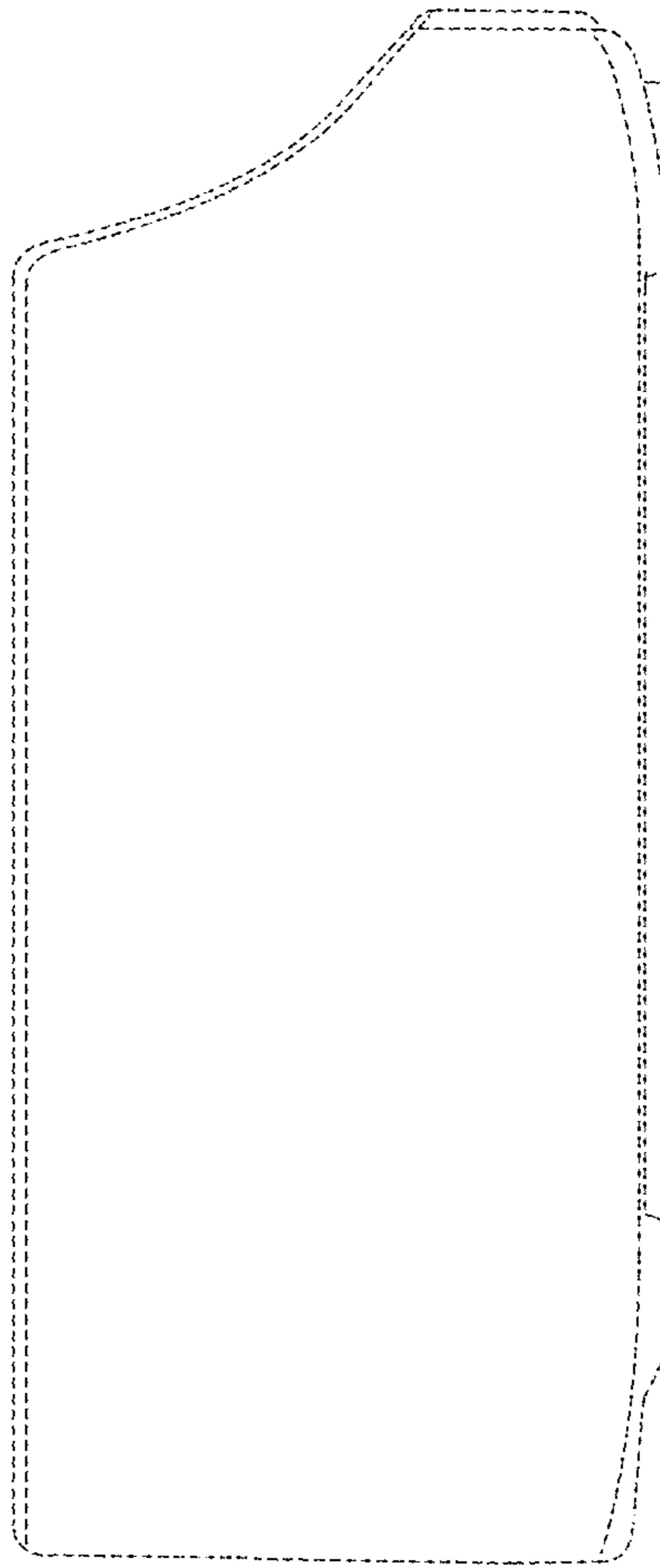


FIG. 9