



US00D815285S

(12) **United States Design Patent** (10) **Patent No.:** **US D815,285 S**
Lohrenz et al. (45) **Date of Patent:** **** Apr. 10, 2018**

- (54) **BRACHYTHERAPY DEVICE**
- (71) Applicant: **SALUTARIS MEDICAL DEVICES, INC.**, Tucson, AZ (US)
- (72) Inventors: **Ryan L. Lohrenz**, Vail, AZ (US); **Laurence J. Marsteller**, Tucson, AZ (US); **Tianna D. Benson**, Tucson, AZ (US); **Samuel S. Hyman**, Tucson, AZ (US); **Mary E. Drew**, Oro Valley, AZ (US); **Russell J. Hamilton**, Tucson, AZ (US); **Wendell Lutz**, Tucson, AZ (US)
- (73) Assignee: **SALUTARIS MEDICAL DEVICES, INC.**, Tucson, AZ (US)

- 3,974,322 A 8/1976 Drabkina
- 4,248,354 A 2/1981 Metzger
- 4,300,557 A 11/1981 Refojo et al.
- D272,089 S 1/1984 Glassman
- 4,925,450 A 5/1990 Imonti et al.
- 4,976,266 A 12/1990 Huffman et al.
- 5,007,689 A 4/1991 Kelly et al.
- 5,109,844 A 5/1992 de Juan, Jr. et al.

(Continued)

FOREIGN PATENT DOCUMENTS

- AU 323700 S 1/2009
- AU 323701 S 1/2009

(Continued)

OTHER PUBLICATIONS

Tanner et al.; Posterior sub-Tenon's triamcinolone injections in the treatment of uveitis; Royal College of Ophthalmologists; 1998; pp. 679-685.

(Continued)

Primary Examiner — Anhdao Doan

- (**) Term: **15 Years**
 - (21) Appl. No.: **29/564,249**
 - (22) Filed: **May 11, 2016**
 - (51) **LOC (11) Cl.** **24-01**
 - (52) **U.S. Cl.**
USPC **D24/158**
 - (58) **Field of Classification Search**
USPC D24/107, 158-161, 185, 186, 187, 231, D24/128, 133, 140, 150, 172
CPC A61N 5/1014; A61N 5/1017; A61N 2005/101; A61N 2005/1007; A61N 2005/1009
- See application file for complete search history.

(57) **CLAIM**

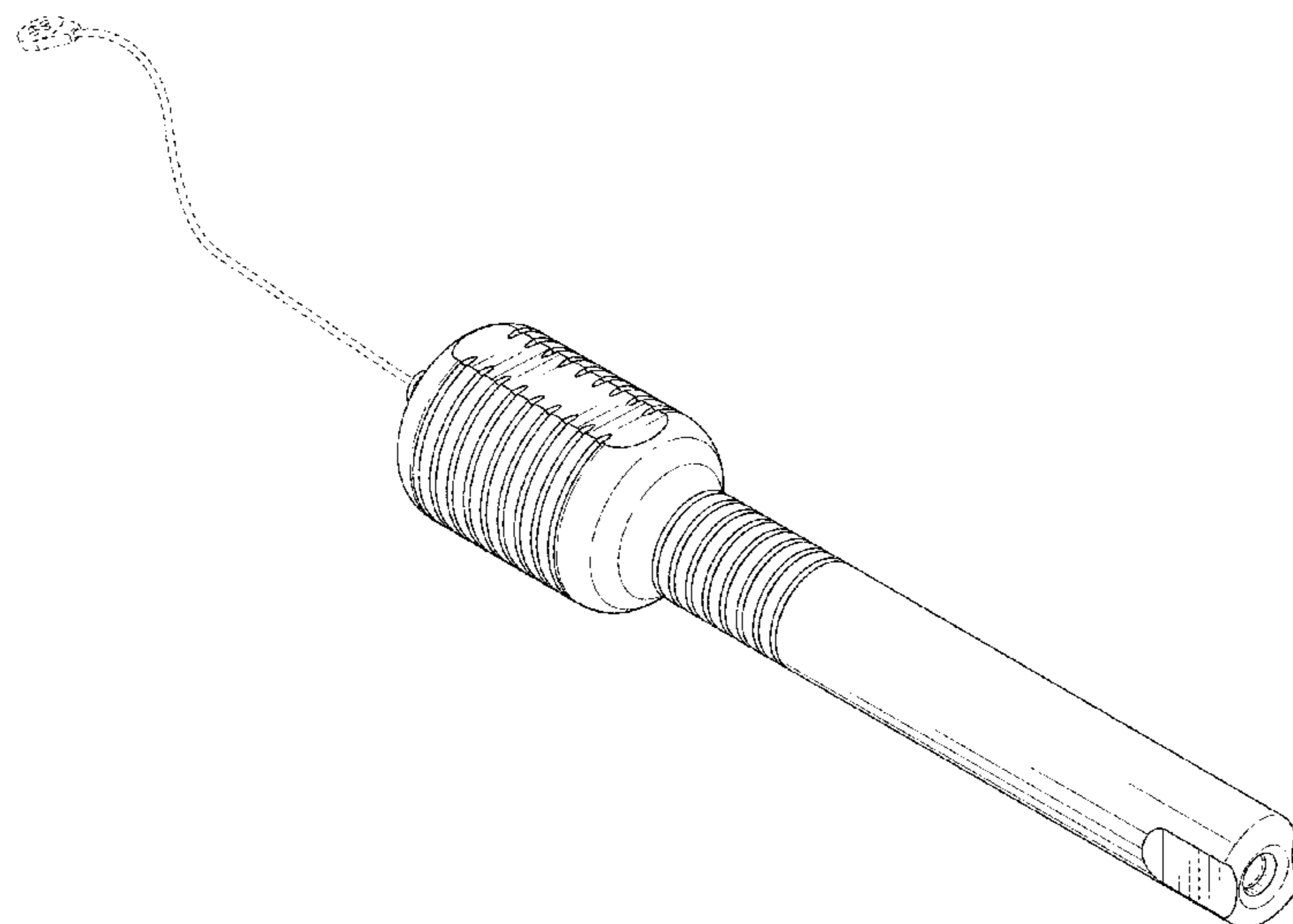
The ornamental design for a brachytherapy device, as shown and described.

DESCRIPTION

FIG. 1 is a perspective in-use view of a brachytherapy device showing our new design; FIG. 2 is a bottom view thereof; FIG. 3 is a side view thereof; FIG. 4 is an opposite side view thereof; FIG. 5 is a top view thereof; FIG. 6 is a front view thereof; and, FIG. 7 is a back view thereof. The broken lines illustrate portions of the brachytherapy device that form no part of the claimed design.

1 Claim, 3 Drawing Sheets

- (56) **References Cited**
U.S. PATENT DOCUMENTS
- 2,309,302 A 1/1943 Butler et al.
- 2,559,793 A 7/1951 Pregel
- D183,820 S 10/1958 Yohe
- 3,169,527 A 2/1965 Sheridan
- 3,662,882 A 5/1972 Obermayer
- D235,171 S 5/1975 Boone
- D235,172 S 5/1975 Boone
- D236,920 S 9/1975 Sheridan



(56)

References Cited

U.S. PATENT DOCUMENTS

5,127,831 A	7/1992	Bab	7,547,323 B2	6/2009	Lavigne
5,167,647 A	12/1992	Wijkamp et al.	7,560,460 B2	7/2009	Fotsch et al.
5,199,939 A	4/1993	Dake et al.	7,563,222 B2	7/2009	Larsen et al.
D340,111 S	10/1993	Yoshikawa	7,571,004 B2	8/2009	Roy et al.
D342,313 S *	12/1993	Hood D24/133	7,579,347 B2	8/2009	Bo et al.
D345,417 S	3/1994	Sharipov	7,600,533 B2	10/2009	Tai et al.
D347,473 S	5/1994	Nitzsche	7,654,716 B1	2/2010	Bhadra et al.
5,342,283 A	8/1994	Good	7,661,676 B2	2/2010	Smith et al.
5,364,374 A	11/1994	Morrison et al.	7,684,868 B2	3/2010	Tai et al.
5,392,914 A	2/1995	Lemieux et al.	D615,645 S	5/2010	Brigatti et al.
5,399,298 A	3/1995	Kelly et al.	D616,087 S	5/2010	Brigatti et al.
5,407,441 A	4/1995	Greenbaum	D616,088 S	5/2010	Brigatti et al.
5,637,073 A	6/1997	Freire	D616,540 S	5/2010	Brigatti et al.
D390,656 S	2/1998	Linder	7,729,739 B2	6/2010	Acar et al.
5,871,481 A	2/1999	Kannenberget al.	7,744,520 B2	6/2010	Larsen et al.
5,893,873 A	4/1999	Rader et al.	7,774,931 B2	8/2010	Tai et al.
5,935,155 A	8/1999	Humayun et al.	7,794,437 B2	9/2010	Humayun et al.
5,944,747 A	8/1999	Greenberg et al.	7,803,102 B2	9/2010	Larsen et al.
5,947,891 A	9/1999	Morrison	7,803,103 B2	9/2010	Hillstead et al.
5,970,457 A	10/1999	Brant et al.	7,810,233 B2	10/2010	Kruevitch et al.
6,013,020 A	1/2000	Meloul et al.	7,827,038 B2	11/2010	Richard et al.
6,053,900 A	4/2000	Brown et al.	7,831,309 B1	11/2010	Humayun et al.
6,059,714 A	5/2000	Armini et al.	7,842,686 B2	11/2010	Anderson et al.
D428,140 S	7/2000	Swan	7,846,954 B2	12/2010	Zimmermann et al.
6,135,984 A	10/2000	Dishier	7,879,564 B2	2/2011	Brice et al.
6,149,643 A	11/2000	Herekar et al.	7,883,717 B2	2/2011	Varner et al.
6,159,205 A	12/2000	Herekar et al.	7,887,508 B2	2/2011	Meng et al.
6,183,410 B1	2/2001	Jacobsen et al.	7,909,816 B2	3/2011	Buzawa
6,183,435 B1	2/2001	Bumbalough et al.	D642,266 S	7/2011	Marsteller et al.
6,278,975 B1	8/2001	Brant et al.	8,430,804 B2 *	4/2013	Brigatti A61N 5/1017 600/3
6,302,839 B1	10/2001	Chernomorsky et al.	D691,267 S	10/2013	Marsteller et al.
6,402,734 B1	6/2002	Weiss	D691,268 S	10/2013	Marsteller et al.
6,413,245 B1	7/2002	Yaacobi et al.	D691,269 S	10/2013	Marsteller et al.
6,443,881 B1	9/2002	Finger	D691,270 S	10/2013	Marsteller et al.
6,450,938 B1	9/2002	Miller	8,597,169 B2	12/2013	Brigatti et al.
6,527,692 B1	3/2003	Weinberger	8,602,959 B1	12/2013	Park et al.
6,575,887 B1	6/2003	Schrayer	8,608,632 B1	12/2013	Brigatti et al.
6,613,026 B1	9/2003	Palasis et al.	9,056,201 B1	6/2015	Hamilton et al.
6,641,518 B2	11/2003	Wolfson et al.	D755,385 S *	5/2016	Fairbanks D24/158
6,676,590 B1	1/2004	Urlick et al.	2001/0008950 A1	7/2001	Vitali et al.
6,719,750 B2	4/2004	Varner et al.	2001/0049464 A1	12/2001	Ganz
6,749,553 B2	6/2004	Brauckman et al.	2002/0002362 A1	1/2002	Humayun et al.
6,755,338 B2	6/2004	Hahnen et al.	2002/0026174 A1	2/2002	Wallace
D492,778 S	7/2004	Narini	2002/0062136 A1	5/2002	Hillstead et al.
6,800,076 B2	10/2004	Humayun	2002/0065448 A1	5/2002	Bradshaw et al.
6,824,532 B2	11/2004	Gillis et al.	2002/0077687 A1	6/2002	Ahn
6,830,174 B2	12/2004	Hillstead et al.	2002/0099363 A1	7/2002	Woodward et al.
6,875,165 B2	4/2005	DeJuan, Jr. et al.	2002/0115902 A1	8/2002	DeJuan, Jr. et al.
6,918,894 B2	7/2005	Fleury et al.	2002/0164061 A1	11/2002	Paik et al.
6,958,055 B2	10/2005	Donnan et al.	2002/0198511 A1	12/2002	Varner et al.
6,964,653 B2	11/2005	Negron	2003/0014306 A1	1/2003	Marko
6,977,264 B2	12/2005	Fotsch et al.	2003/0045900 A1	3/2003	Hahnen et al.
7,070,556 B2	7/2006	Anderson et al.	2003/0103945 A1	6/2003	Chen et al.
7,103,416 B2	9/2006	Ok et al.	2003/0153804 A1	8/2003	Tornes et al.
7,115,607 B2	10/2006	Fotsch et al.	2003/0171722 A1	9/2003	Paques et al.
7,153,316 B1	12/2006	McDonald	2003/0184859 A1	10/2003	Liang et al.
D534,650 S	1/2007	Inman et al.	2003/0195201 A1	10/2003	Bo et al.
D543,626 S	5/2007	Watschke et al.	2003/0220324 A1	11/2003	Fotsch et al.
7,217,263 B2	5/2007	Humayun et al.	2004/0006067 A1	1/2004	Fotsch et al.
7,220,225 B2	5/2007	DeJuan, Jr. et al.	2004/0039312 A1	2/2004	Hillstead et al.
7,223,225 B2	5/2007	DeJuan, Jr. et al.	2004/0053309 A1	3/2004	Holt et al.
7,228,181 B2	6/2007	Greenberg et al.	2004/0076579 A1	4/2004	Coniglione
7,252,006 B2	8/2007	Tai et al.	2004/0133155 A1	7/2004	Varner et al.
7,273,445 B2	9/2007	Pulido et al.	2004/0138515 A1	7/2004	White et al.
D553,738 S	10/2007	Simpson	2004/0224777 A1	11/2004	Smith et al.
7,276,019 B2	10/2007	DeJuan, Jr. et al.	2004/0243176 A1	12/2004	Hahnen et al.
7,308,487 B1	12/2007	Dansie et al.	2005/0059956 A1	3/2005	Varner et al.
7,321,796 B2	1/2008	Fink et al.	2005/0085415 A1	4/2005	Wiesner et al.
7,351,193 B2	4/2008	Foreman et al.	2005/0101824 A1	5/2005	Stubbs
7,357,770 B1	4/2008	Cutrer et al.	2005/0107824 A1	5/2005	Hillstead et al.
7,402,155 B2	7/2008	Palasis et al.	2005/0148948 A1	7/2005	Caputa
D575,396 S	8/2008	Wu	2005/0149286 A1	7/2005	Acar et al.
7,485,113 B2	2/2009	Varner et al.	2005/0177019 A1	8/2005	DeJuan, Jr. et al.
7,503,474 B2	3/2009	Hillstead et al.	2005/0203331 A1	9/2005	Szapucki et al.
7,537,593 B2	5/2009	Humayun	2005/0227986 A1	10/2005	Bo et al.
			2005/0272931 A1	12/2005	Bo et al.
			2005/0277802 A1	12/2005	Larsen et al.
			2006/0009493 A1	1/2006	Koenig et al.

(56)

References Cited

U.S. PATENT DOCUMENTS

2006/0030618 A1 2/2006 Bo et al.
 2006/0047255 A1 3/2006 Kiehlbauch et al.
 2006/0052796 A1 3/2006 Perez et al.
 2006/0078087 A1 4/2006 Forman et al.
 2006/0110428 A1 5/2006 deJuan et al.
 2006/0111605 A1 5/2006 Larsen et al.
 2006/0142629 A1 6/2006 DeJuan, Jr. et al.
 2006/0189838 A1 8/2006 Dejuan, Jr. et al.
 2006/0223026 A1 10/2006 Kuroiwa et al.
 2006/0235877 A1 10/2006 Richard et al.
 2006/0257451 A1 11/2006 Varner et al.
 2006/0287662 A1 12/2006 Berry et al.
 2007/0019790 A1 1/2007 Lewis et al.
 2007/0055089 A1 3/2007 Larsen et al.
 2007/0118010 A1 5/2007 Hillstead et al.
 2007/0179471 A1 8/2007 Christian et al.
 2007/0191863 A1 8/2007 De Juan
 2007/0219546 A1 9/2007 Mody et al.
 2007/0233037 A1 10/2007 Gifford, III et al.
 2007/0248545 A1 10/2007 Brice et al.
 2007/0265248 A1 11/2007 Fotsch et al.
 2007/0265485 A1 11/2007 DeJuan, Jr. et al.
 2008/0027266 A1 1/2008 Lebovic et al.
 2008/0089480 A1 4/2008 Gertner
 2008/0108933 A1 5/2008 Yu et al.
 2008/0154204 A1 6/2008 Varner et al.
 2008/0161762 A1 7/2008 Stehr et al.
 2008/0172086 A1 7/2008 Hillstead et al.
 2008/0200747 A1 8/2008 Wagner et al.
 2008/0214887 A1 9/2008 Heanue et al.
 2008/0221653 A1 9/2008 Agrawal et al.
 2008/0249412 A1 10/2008 Huang et al.
 2008/0262512 A1 10/2008 Humayun et al.
 2008/0262569 A1 10/2008 Greenberg et al.
 2008/0262570 A1 10/2008 Greenberg et al.
 2008/0262571 A1 10/2008 Greenberg et al.
 2008/0272023 A1 11/2008 McCormick et al.
 2008/0281142 A1 11/2008 Lubock et al.
 2008/0281254 A1 11/2008 Humayun et al.
 2008/0288036 A1 11/2008 Greenberg et al.
 2008/0294223 A1 11/2008 Greenberg et al.
 2008/0305320 A1 12/2008 Laude et al.
 2008/0306611 A1 12/2008 Rowley et al.
 2008/0319319 A1 12/2008 Humayun et al.
 2009/0016075 A1 1/2009 Bhadri et al.
 2009/0030323 A1 1/2009 Fawzi et al.
 2009/0036827 A1 2/2009 Cazzini
 2009/0069340 A1 3/2009 Balestra et al.
 2009/0088784 A1 4/2009 DeBoer et al.
 2009/0088843 A1 4/2009 Lu et al.
 2009/0101841 A1 4/2009 Boyden et al.
 2009/0104960 A1 4/2009 Kelly et al.
 2009/0104987 A1 4/2009 Kelly et al.
 2009/0112287 A1 4/2009 Greenberg et al.
 2009/0131175 A1 5/2009 Kelly et al.
 2009/0143124 A1 6/2009 Hughes et al.
 2009/0143633 A1 6/2009 Edmundson et al.
 2009/0143734 A1 6/2009 Humayun et al.
 2009/0146583 A1 6/2009 Bhadri et al.
 2009/0149915 A1 6/2009 Greenberg et al.
 2009/0177245 A1 7/2009 Ameri et al.
 2009/0192493 A1 7/2009 Meng et al.
 2009/0227856 A1 9/2009 Russell et al.
 2009/0228086 A1 9/2009 Greenberg et al.
 2009/0240215 A1 9/2009 Humayun et al.
 2009/0264424 A1 10/2009 Bo et al.
 2009/0287276 A1 11/2009 Greenberg et al.
 2009/0306585 A1 12/2009 Pang et al.
 2009/0306594 A1 12/2009 Pang et al.

2009/0306595 A1 12/2009 Shih et al.
 2009/0311133 A1 12/2009 Pang et al.
 2009/0312742 A1 12/2009 Pang et al.
 2010/0004499 A1 1/2010 Brigatti et al.
 2010/0004581 A1 1/2010 Brigatti et al.
 2010/0004639 A1 1/2010 Pang et al.
 2010/0025613 A1 2/2010 Tai et al.
 2010/0026957 A1 2/2010 Tanguay, Jr. et al.
 2010/0030010 A1 2/2010 Vermeere et al.
 2010/0076271 A1 3/2010 Humayun
 2010/0100104 A1 4/2010 Yu et al.
 2010/0105454 A1 4/2010 Weber et al.
 2010/0114039 A1 5/2010 Cazzini
 2010/0119696 A1 5/2010 Yu et al.
 2010/0121248 A1 5/2010 Yu et al.
 2010/0121249 A1 5/2010 Yu et al.
 2010/0131075 A1 5/2010 Ludlow et al.
 2010/0157620 A1 6/2010 Bhadri et al.
 2010/0168646 A1 7/2010 Greenbaum et al.
 2010/0174415 A1 7/2010 Humayun et al.
 2010/0197826 A1 8/2010 Agrawal et al.
 2010/0228119 A1 9/2010 Brennan et al.
 2010/0228123 A1 9/2010 Brennan et al.
 2010/0228124 A1 9/2010 Brennan et al.
 2010/0228132 A1 9/2010 Brennan et al.
 2010/0228238 A1 9/2010 Brennan et al.
 2010/0229384 A1 9/2010 Krulevitch et al.
 2010/0238288 A1 9/2010 Klaerner et al.
 2010/0267647 A1 10/2010 Greenbaum et al.
 2010/0268013 A1 10/2010 Larsen et al.
 2010/0294041 A1 11/2010 Tai et al.
 2010/0305550 A1 12/2010 Meng et al.
 2011/0004045 A1 1/2011 Larsen et al.
 2011/0021906 A1 1/2011 Hillstead et al.
 2011/0207987 A1 8/2011 DiCarlo
 2013/0243158 A1 9/2013 Gertner et al.
 2013/0267758 A1 10/2013 Brigatti et al.
 2015/0105601 A1* 4/2015 Finger A61N 5/1017
 600/1
 2015/0265850 A1 9/2015 Finger et al.
 2016/0375267 A1 12/2016 Lutz et al.

FOREIGN PATENT DOCUMENTS

AU 323703 S 1/2009
 AU 323704 S 1/2009
 WO 200128473 A1 4/2001
 WO 2005016258 A2 2/2005
 WO 2007059208 A2 5/2007
 WO 2008076544 A1 6/2008
 WO 2009089288 A1 7/2009
 WO 2011053908 A1 5/2011
 WO 2015105539 A2 7/2015

OTHER PUBLICATIONS

Sou-Tung Chiu-Tsao, PH.D., Episcleral Eye Plaques for Treatment of Intraocular Malignancies and Benign Diseases; Chapter 34; pp. 673-705.
 Sou-Tung Chiu-Tsao, PH.D., Pterygium Brachytherapy Physics; Chapter 35; pp. 707-717.
 Hokkanen, J.; Heikkonen, J.; Holmberg, P.; Theoretical calculations of dose distributions for beta-ray eye applicators; Med. Phys. 24 (2); Feb. 1997pp. 211-213.
 Jaakkola, Aino; Heikkonen, Jorma; Tommila, Petri; Laatikainen, Leila; Immonen, Ilkka; Strontium plaque irradiation of subfoveal neovascular membranes in age-related macular degeneration; Graefe's Arch Clin Exp Ophthalmol (1998); 236; pp. 24-30.

* cited by examiner

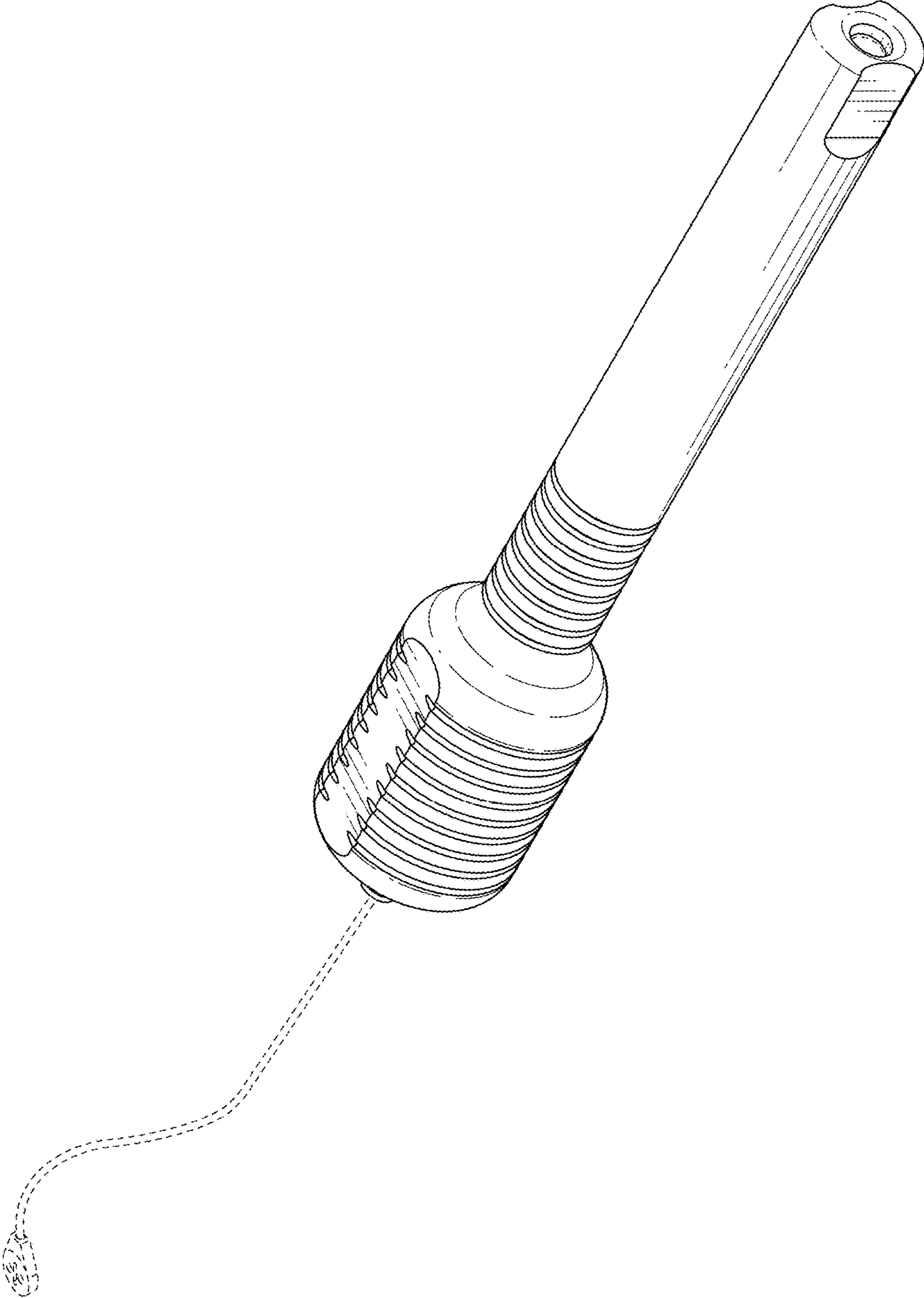


FIG. 1

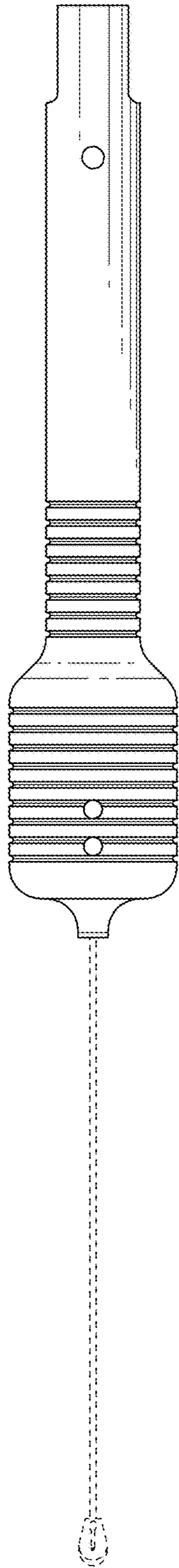


FIG. 2

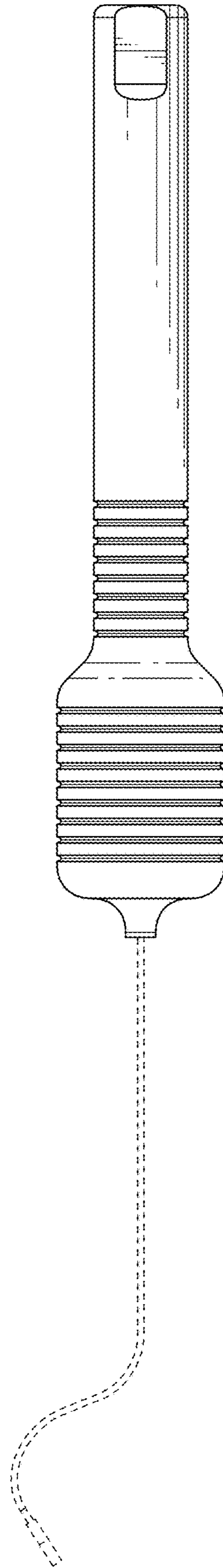


FIG. 3

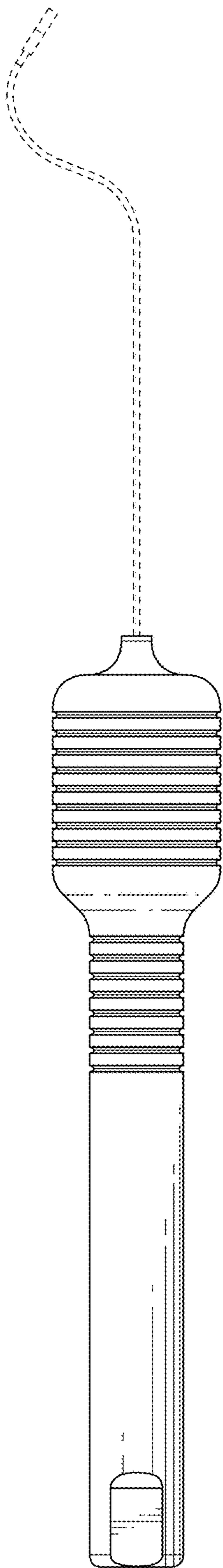


FIG. 4

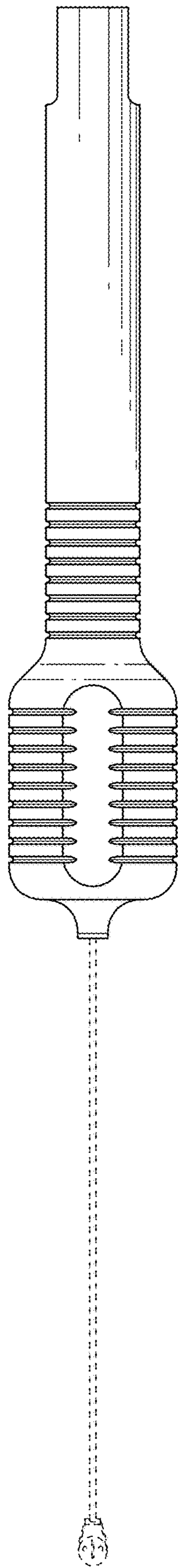


FIG. 5

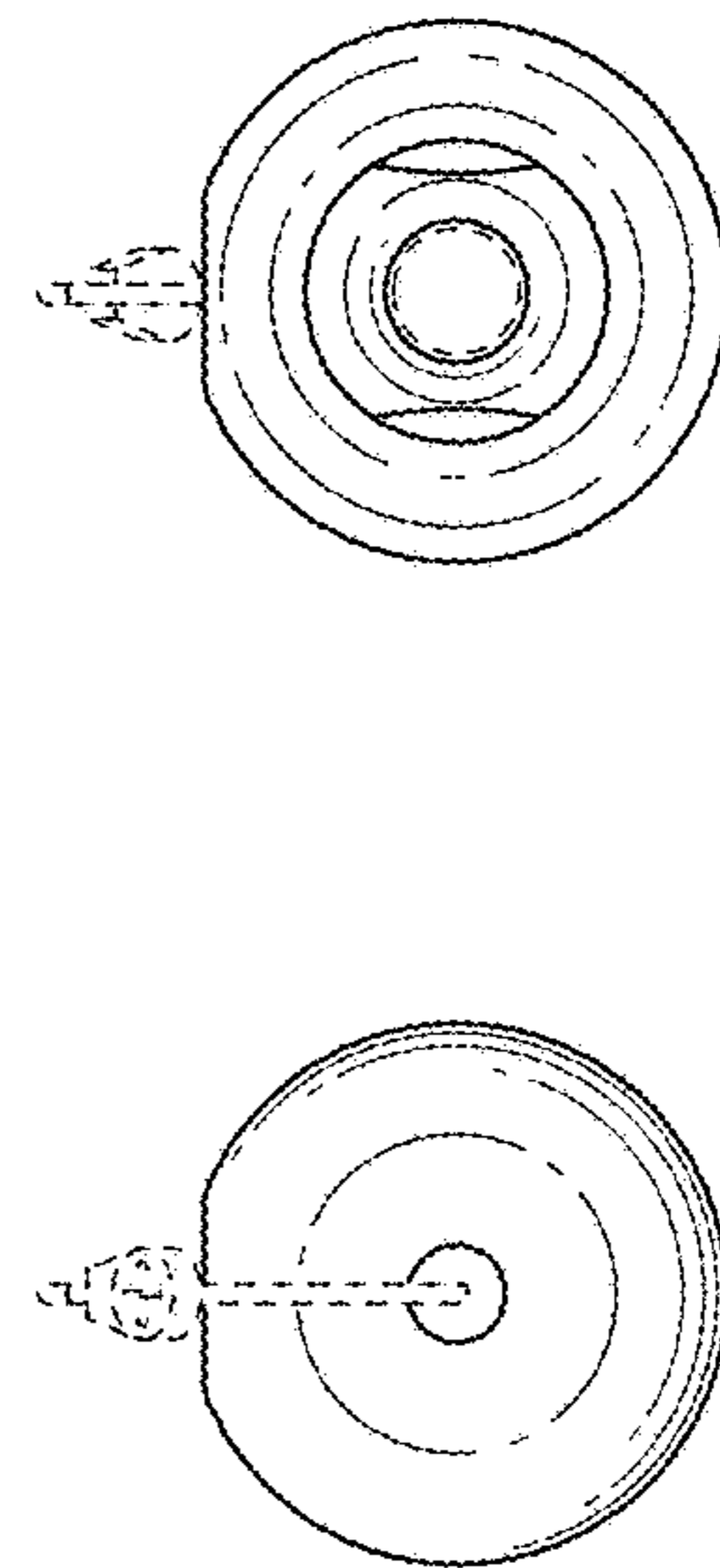


FIG. 6

FIG. 7