



US00D815284S

(12) **United States Design Patent**
Fairbanks et al.

(10) **Patent No.:** **US D815,284 S**
(45) **Date of Patent:** **** Apr. 10, 2018**

- (54) **BRACHYTHERAPY TEMPLATE**
- (71) Applicant: **Kobold LLC**, Veradale, WA (US)
- (72) Inventors: **Robert K. Fairbanks**, Greenacres, WA (US); **Spencer J. Fillmore**, Greenacres, WA (US); **Wayne T. Lamoreaux**, Greenacres, WA (US); **Christopher M. Lee**, Greenacres, WA (US)
- (73) Assignee: **Kobold LLC**, Veradale, WA (US)
- (**) Term: **15 Years**
- (21) Appl. No.: **29/557,949**
- (22) Filed: **Mar. 14, 2016**

D634,010 S 3/2011 DeCarlo
 D656,424 S 3/2012 Bentley
 8,834,339 B2 9/2014 Hannoun-Levi et al.
 (Continued)

OTHER PUBLICATIONS

Liberty Medical Inc, Disposable Prostate Templates, retrieved from the Internet Sep. 15, 2015, <http://www.libertymedicalinc.com>, 1 page.

(Continued)

Primary Examiner — Anhdao Doan
(74) *Attorney, Agent, or Firm* — Justin Cassell; Workman Nydegger

(57) **CLAIM**

The ornamental design for a brachytherapy template, as shown and described.

Related U.S. Application Data

- (63) Continuation of application No. 29/467,657, filed on Sep. 20, 2013, now Pat. No. Des. 755,385.
- (51) **LOC (11) Cl.** **24-01**
- (52) **U.S. Cl.**
USPC **D24/158**
- (58) **Field of Classification Search**
USPC D24/158–161, 140; D10/64, 65, 70, 71; 378/162–165; 600/414, 420, 426, 1–8, 600/427, 428, 439; 606/130
CPC A61N 5/1007; A61N 2005/1012; A61B 2017/3411
See application file for complete search history.

DESCRIPTION

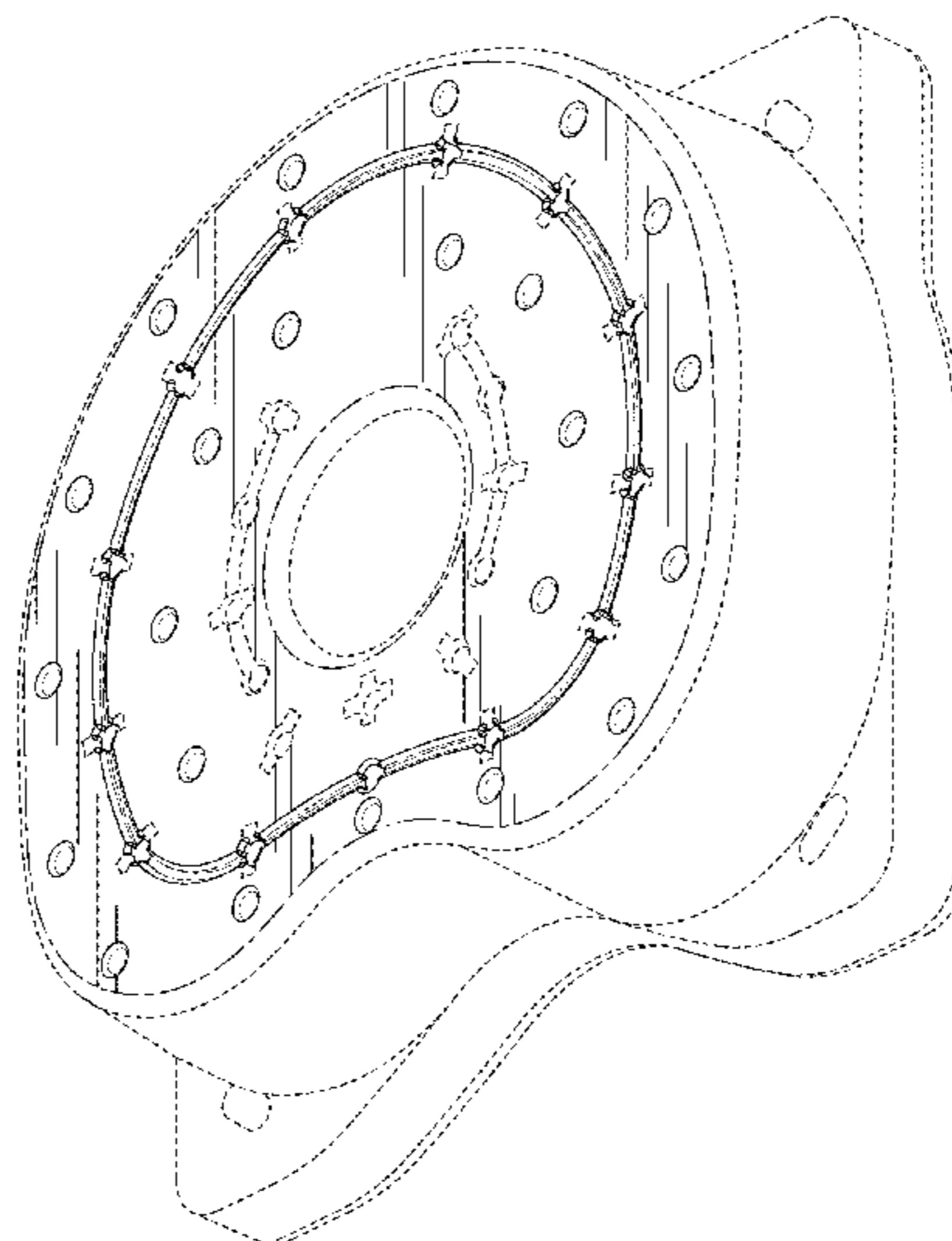
FIG. 1 is a front perspective view of a brachytherapy template showing our design.
 FIG. 2 is a second front perspective view of the brachytherapy template of FIG. 1.
 FIG. 3 is a front elevational view of the brachytherapy template of FIG. 1.
 FIG. 4 is a back elevational view of the brachytherapy template of FIG. 1.
 FIG. 5 is a first side elevational view of the brachytherapy template of FIG. 1.
 FIG. 6 is a second side elevational view of the brachytherapy template of FIG. 1.
 FIG. 7 is a top view of the brachytherapy template of FIG. 1; and,
 FIG. 8 is a bottom view of the brachytherapy template of FIG. 1.
 Portions in broken lines for the purpose of illustrating environmental structure and form no part of the claimed design. The dot-dash broken lines define, but are not included in, the boundaries of the claim design.

(56) **References Cited**

U.S. PATENT DOCUMENTS

- D320,074 S 9/1991 Frost et al.
- 6,036,632 A 3/2000 Whitmore, III et al.
- D448,801 S 10/2001 Lariviere, Jr. et al.
- 6,530,873 B1 * 3/2003 Lee A61N 5/1031
600/1
- 6,579,262 B1 6/2003 Mick et al.

1 Claim, 6 Drawing Sheets



(56)

References Cited

U.S. PATENT DOCUMENTS

D717,437 S 11/2014 Yamada
D726,922 S 4/2015 Ishihara
2009/0014015 A1* 1/2009 Tutar A61N 5/1027
128/898
2010/0268014 A1 10/2010 Pitman
2013/0012757 A1 1/2013 Helle et al.

OTHER PUBLICATIONS

Product Catalog: "Best Medical International, healthcare for everyone, Team Best, Your True Partner", 120 pages, relevant pp. 104-118, 2013.

Product Catalog: Varian Medical Systems, "Varian Brachytherapy Applicators and Accessories", Copyright 2011 Varian Medical Systems, Inc., 147 pages, relevant pp. 64-69.

* cited by examiner

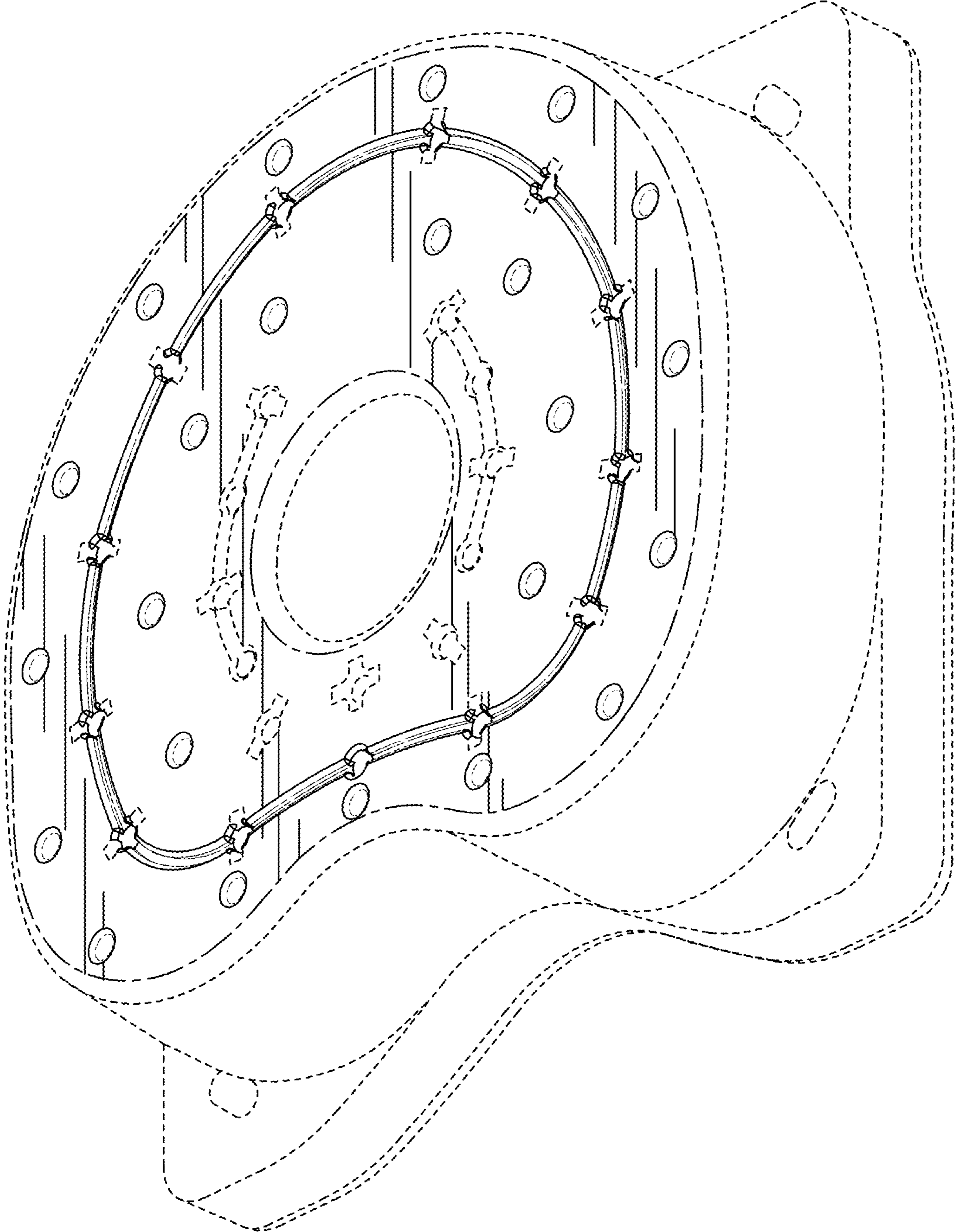


FIG. 1

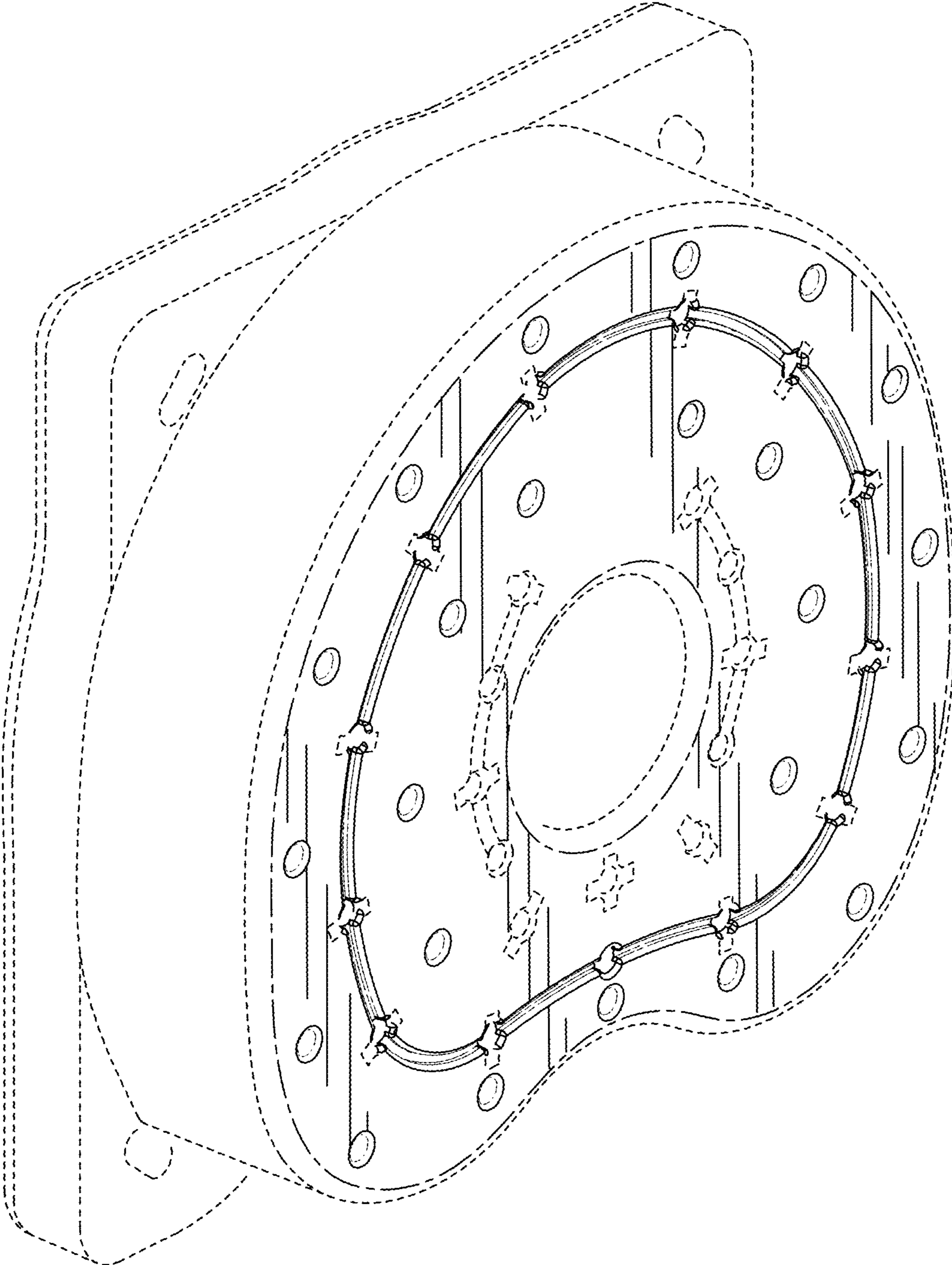


FIG. 2

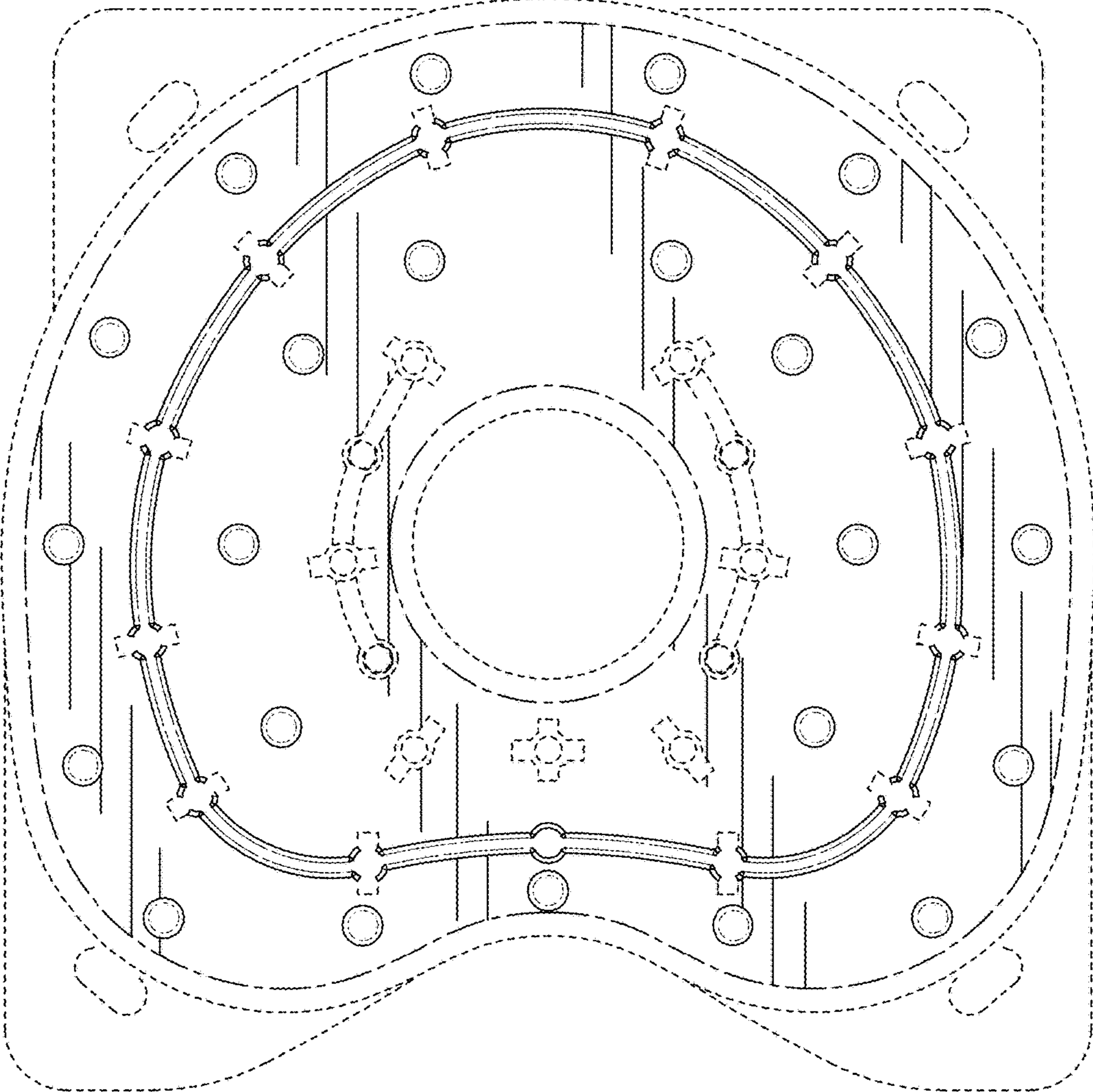


FIG. 3

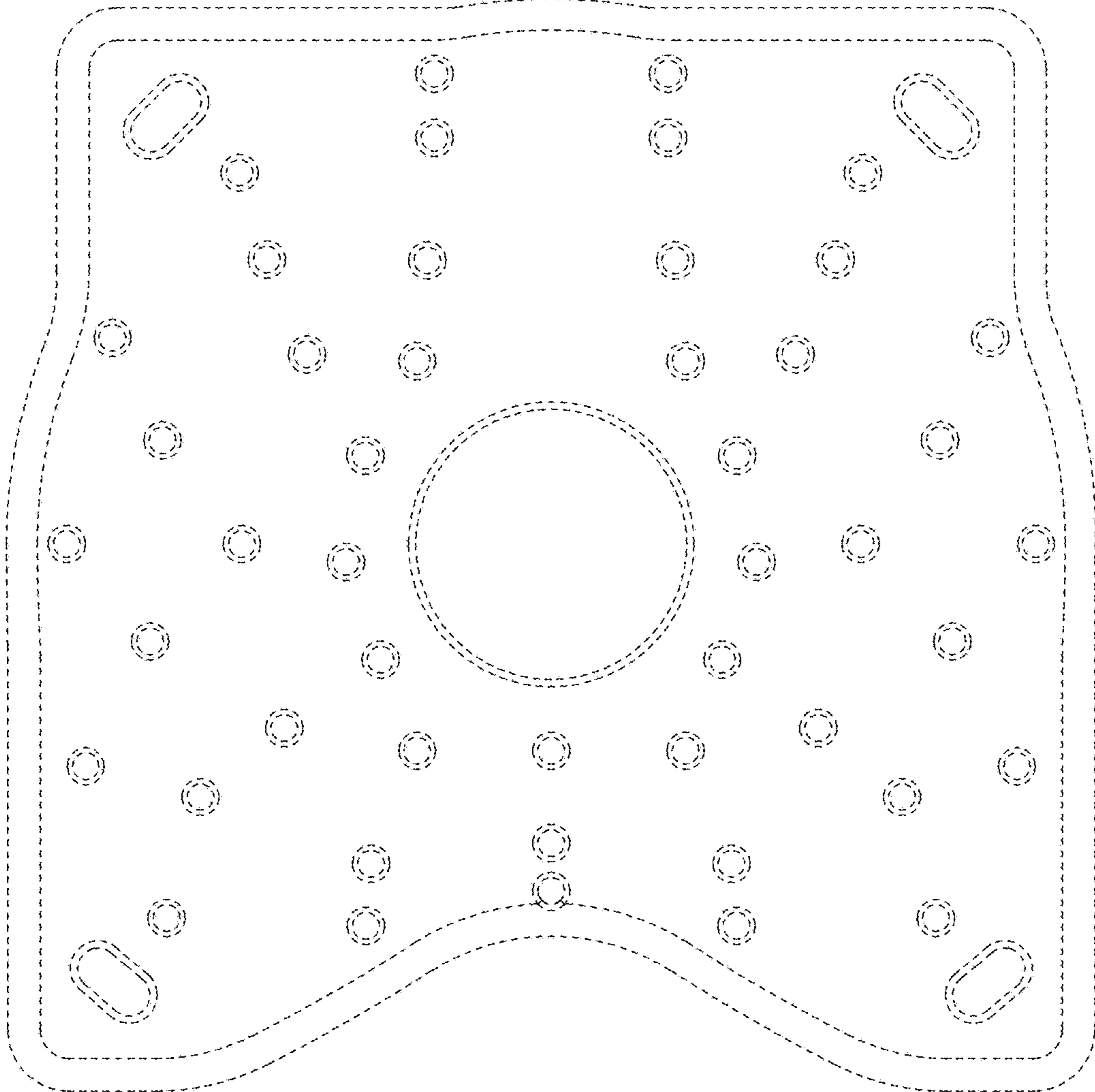


FIG. 4

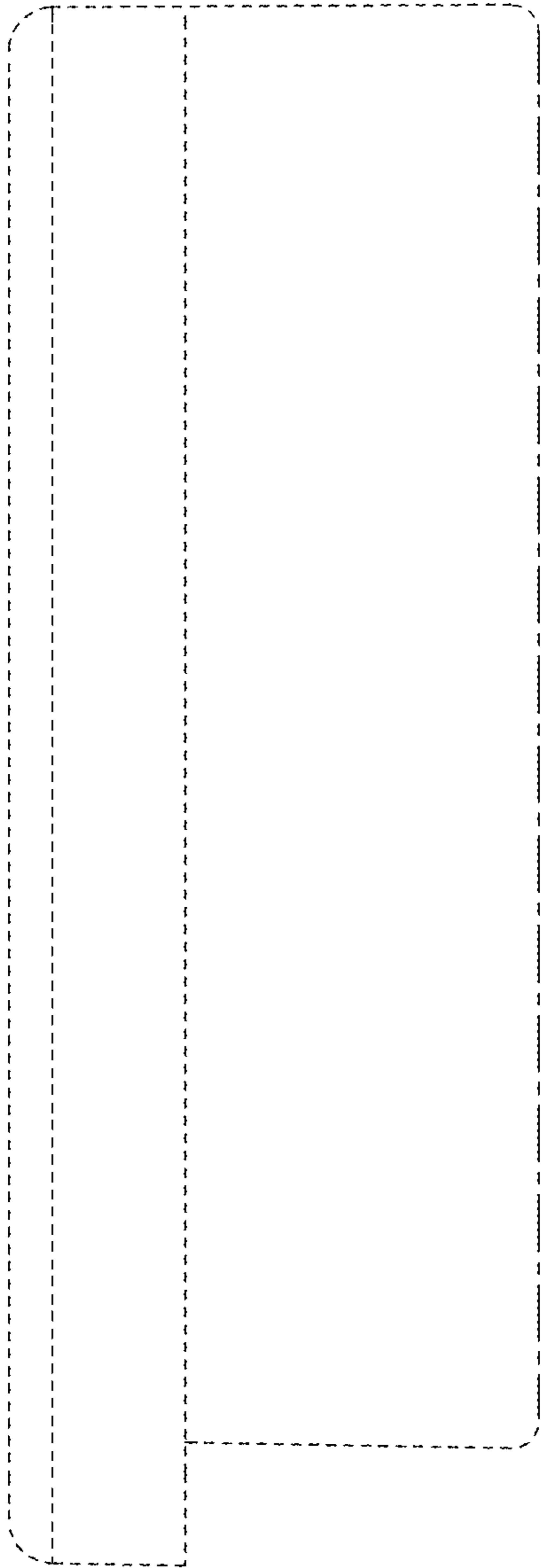


FIG. 5

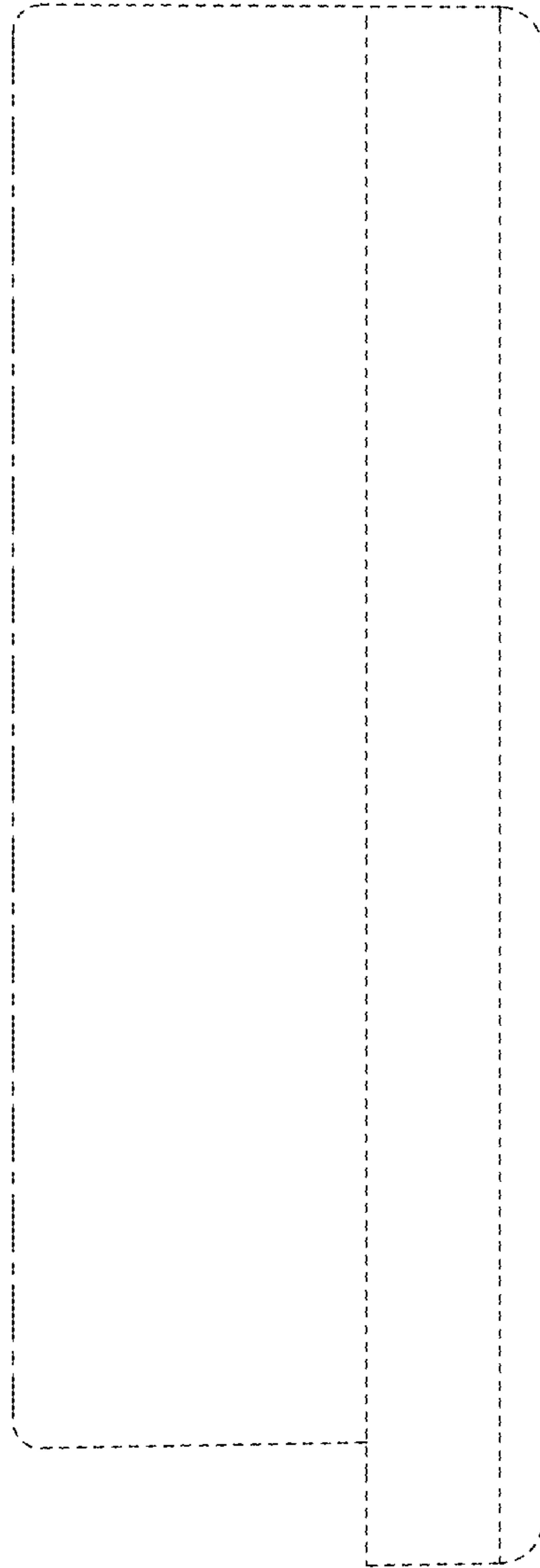


FIG. 6

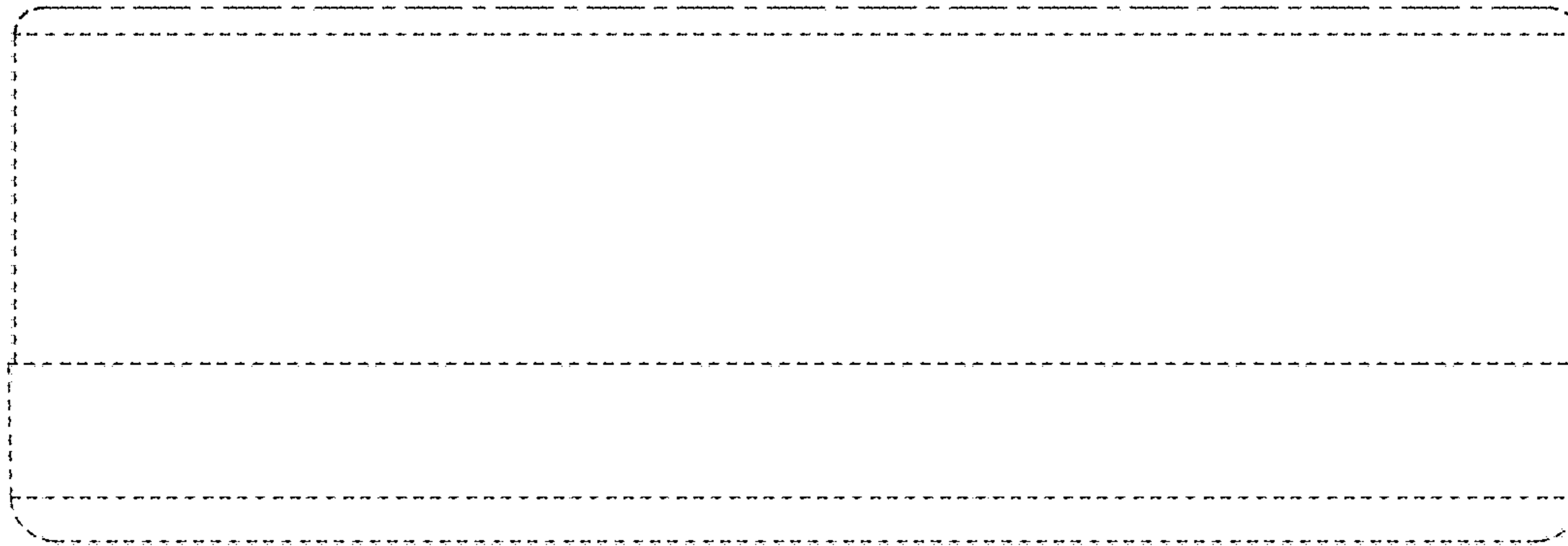


FIG. 7

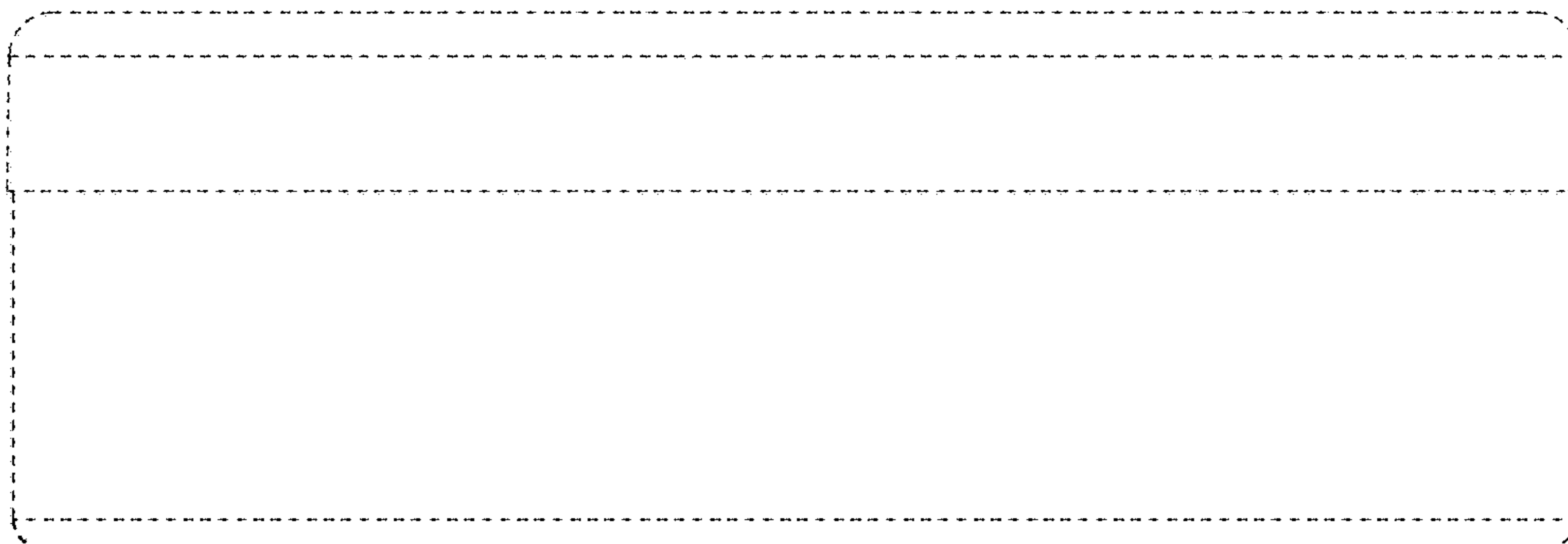


FIG. 8