



US00D815283S

(12) **United States Design Patent**  
**Noack**

(10) **Patent No.: US D815,283 S**  
(45) **Date of Patent: \*\* Apr. 10, 2018**

(54) **PROSTHESIS**  
(71) Applicant: **OTTO BOCK HEALTHCARE GMBH**, Duderstadt (DE)  
(72) Inventor: **Christian Noack**, Göttingen (DE)  
(73) Assignee: **OTTO BOCK HEALTHCARE GMBH**, Duderstadt (DE)  
(\*\*) Term: **15 Years**  
(21) Appl. No.: **35/500,869**  
(22) Filed: **Oct. 28, 2015**  
(80) **Hague Agreement Data**  
Int. Filing Date: **Oct. 28, 2015**  
Int. Reg. No.: **DM/088538**  
Int. Reg. Date: **Oct. 28, 2015**  
Int. Reg. Pub. Date: **Apr. 29, 2016**

(30) **Foreign Application Priority Data**  
Apr. 29, 2015 (EM) ..... 002692087  
(51) **LOC (11) Cl.** ..... **24-03**  
(52) **U.S. Cl.**  
USPC ..... **D24/155**  
(58) **Field of Classification Search**  
USPC ..... D24/155, 171; 623/29, 33, 27, 37, 39;  
264/219, 511  
CPC .. A61F 2/5046; A61F 2/60; A61F 2/78; A61F  
2/64  
See application file for complete search history.

(56) **References Cited**  
U.S. PATENT DOCUMENTS  
3,422,462 A \* 1/1969 Finnieston ..... A61F 2/60  
623/33  
3,909,855 A \* 10/1975 Barredo ..... A61F 2/60  
623/27

4,911,724 A \* 3/1990 Fikes ..... A61F 2/60  
623/37  
5,152,800 A \* 10/1992 Rothschild ..... A61F 2/60  
623/33  
5,376,127 A \* 12/1994 Swanson ..... A61F 2/78  
264/511  
D383,542 S \* 9/1997 Wellershaus ..... D24/155  
5,880,964 A \* 3/1999 Schall ..... A61F 2/5046  
623/27  
6,153,139 A \* 11/2000 Marquette ..... A61F 2/5046  
264/219  
6,597,965 B2 \* 7/2003 Graves ..... A61F 2/5046  
623/27  
D499,487 S \* 12/2004 Bedard ..... D24/155  
D501,925 S \* 2/2005 Bedard ..... D24/155  
D566,275 S \* 4/2008 Morrison ..... D24/155  
7,438,725 B2 \* 10/2008 Slemker ..... A61F 2/64  
623/39  
D592,749 S \* 5/2009 Muhlenberend ..... D24/155  
7,797,072 B2 \* 9/2010 Summit ..... A61F 2/5046  
623/29  
D629,903 S \* 12/2010 Fletcher ..... D24/155

(Continued)

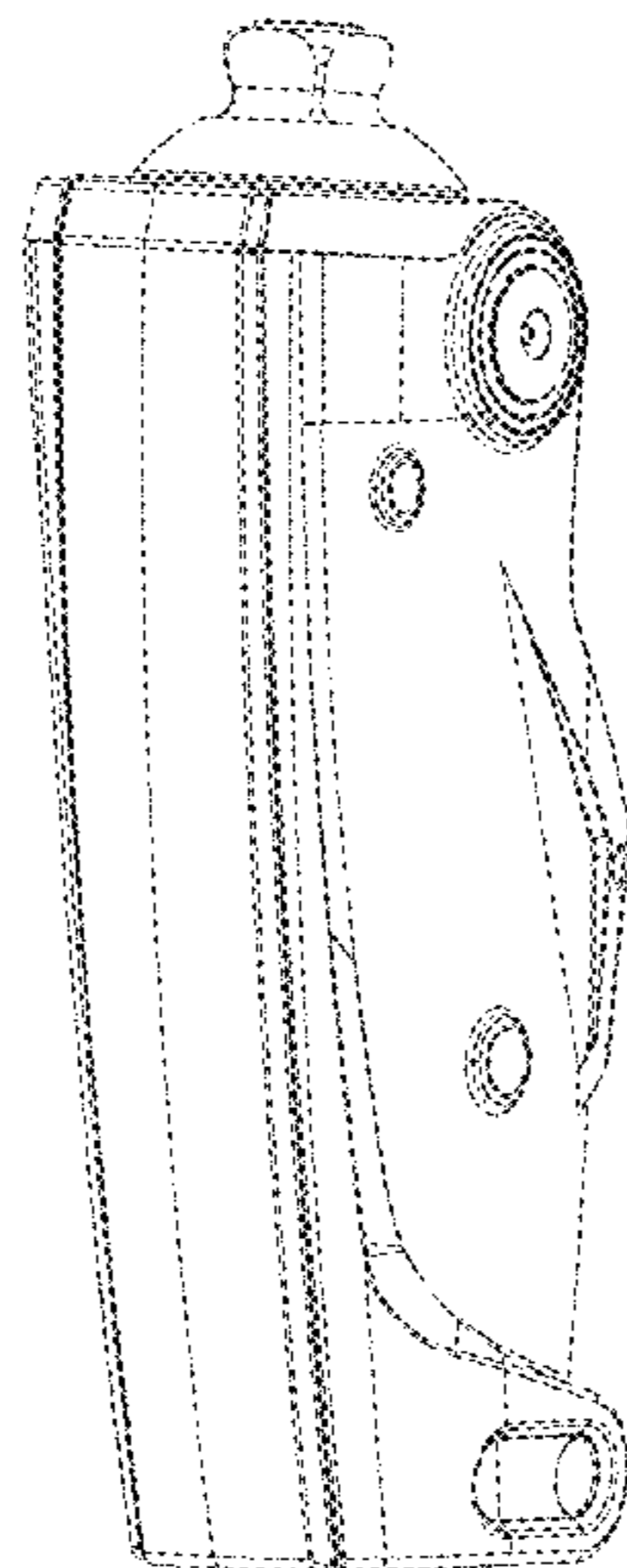
*Primary Examiner* — Rhea Shields  
(74) *Attorney, Agent, or Firm* — Holland & Hart

(57) **CLAIM**  
The ornamental design for a prosthesis, as shown and described.

**DESCRIPTION**

1. Prosthesis  
1.1 is a front perspective view;  
1.2 is a front view;  
1.3 is a right side view;  
1.4 is a left side view;  
1.5 is a rear view;  
1.6 is a bottom view; and  
1.7 is a top view.  
In the drawings, the broken lines are for the purpose of illustrating environment only and form no part of the claimed design.

**1 Claim, 7 Drawing Sheets**



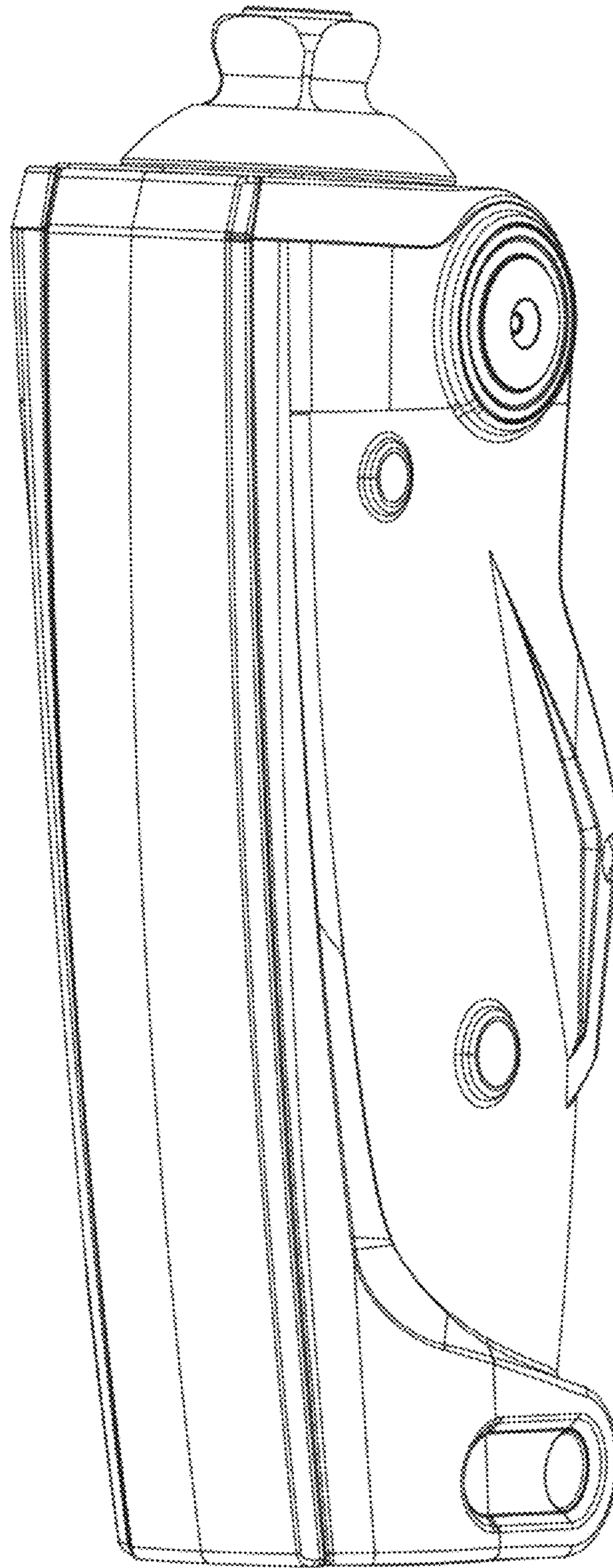
(56)

**References Cited**

U.S. PATENT DOCUMENTS

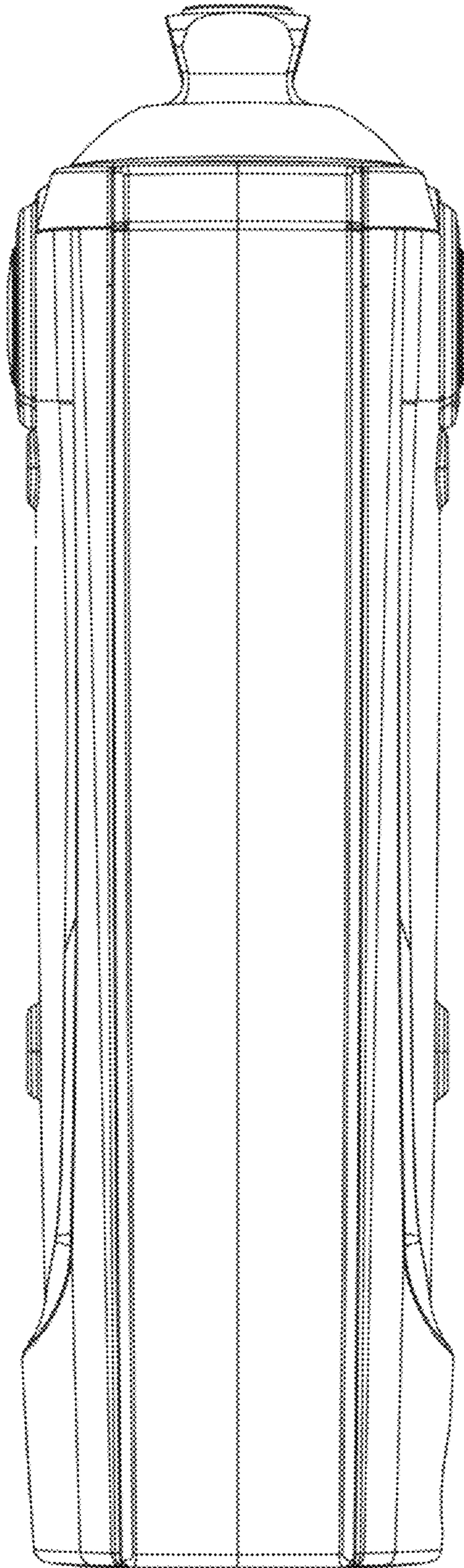
D632,790	S	*	2/2011	Cheng	.....	D24/155
D721,810	S	*	1/2015	Sigurdsson	.....	D24/155
D731,653	S	*	6/2015	Smith	.....	D24/155
D732,167	S	*	6/2015	Terleski	.....	D24/155
D732,168	S	*	6/2015	Terleski	.....	D24/155
D733,883	S	*	7/2015	Omarsson	.....	D24/155
D735,862	S	*	8/2015	Noack	.....	D24/155
D736,385	S	*	8/2015	Nakaya	.....	D24/155
D736,931	S	*	8/2015	Thomas	.....	D24/155
D745,157	S	*	12/2015	Humphrey	.....	D24/155
D745,161	S	*	12/2015	Wanner	.....	D24/155
D745,677	S	*	12/2015	Sigurdsson	.....	D24/155
D748,790	S	*	2/2016	Kampas	.....	D24/155
D748,791	S	*	2/2016	Kampas	.....	D24/155
D750,250	S	*	2/2016	Noack	.....	D24/155
D757,269	S	*	5/2016	Prybyla	.....	A61F 2/34 D24/155
D765,853	S	*	9/2016	Blain	.....	D24/155
D766,435	S	*	9/2016	Link	.....	D24/155

\* cited by examiner

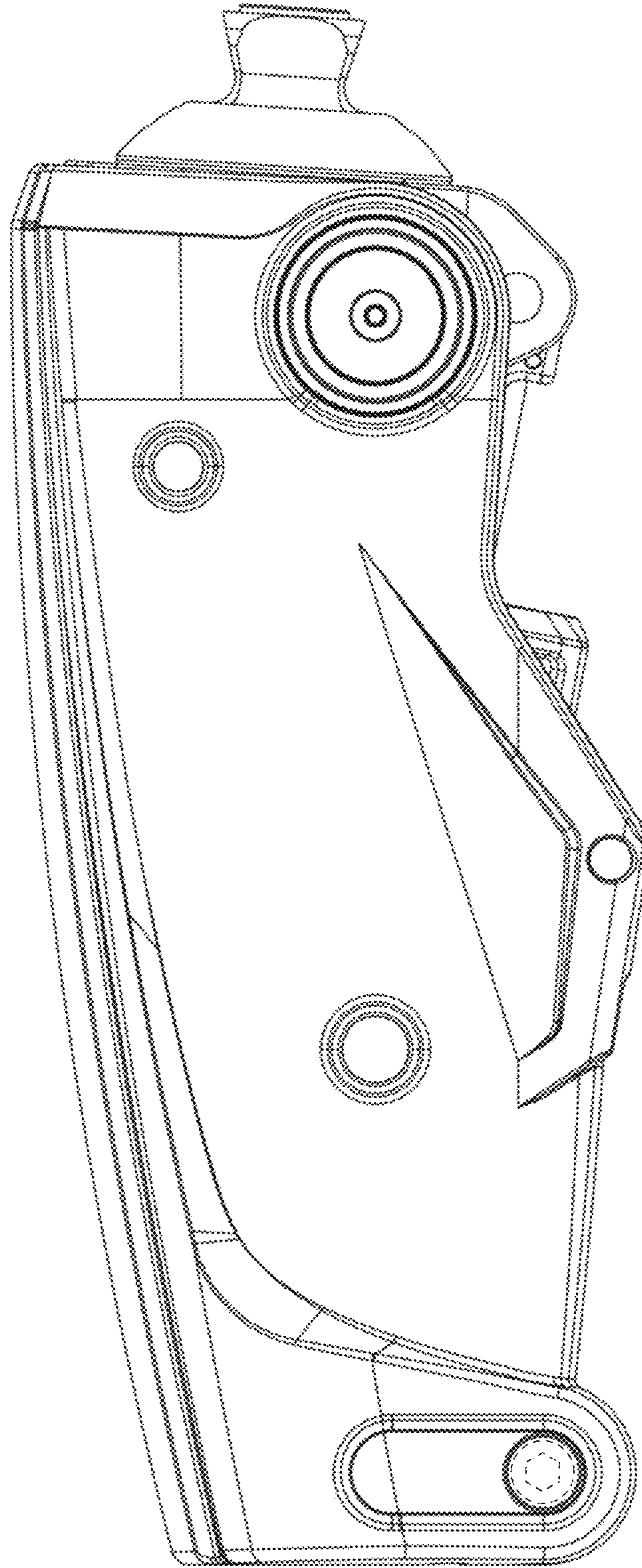


**1.1**

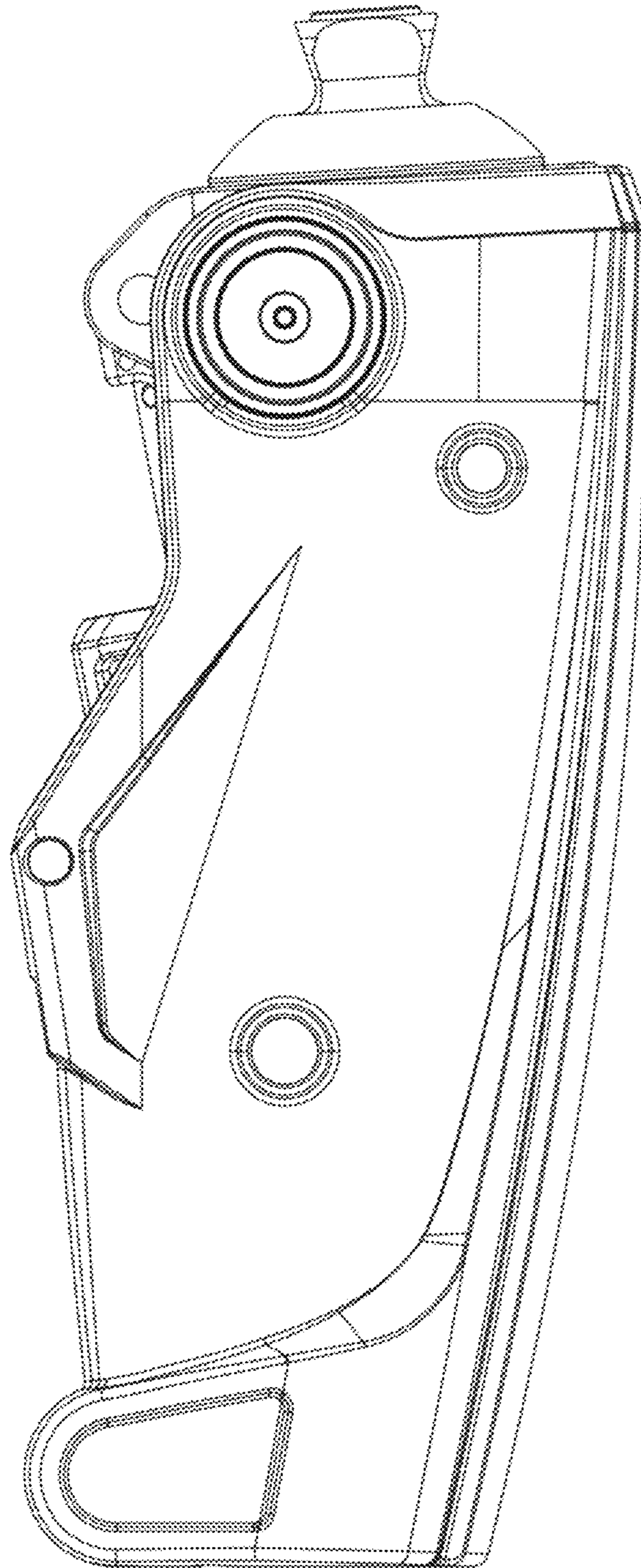




1.2

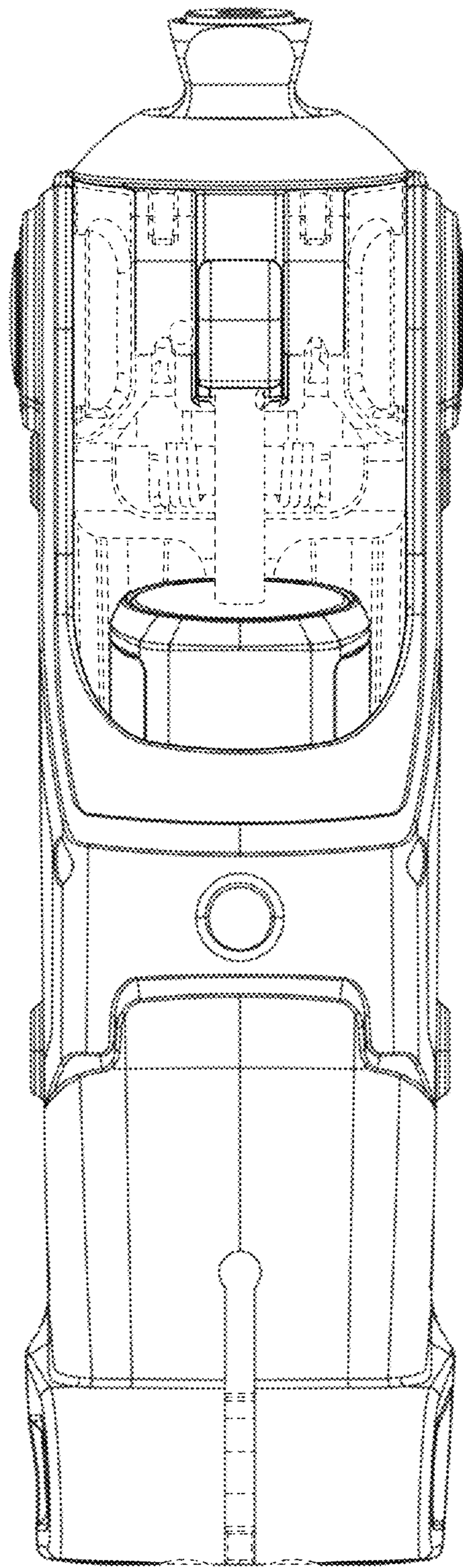


**1.3**

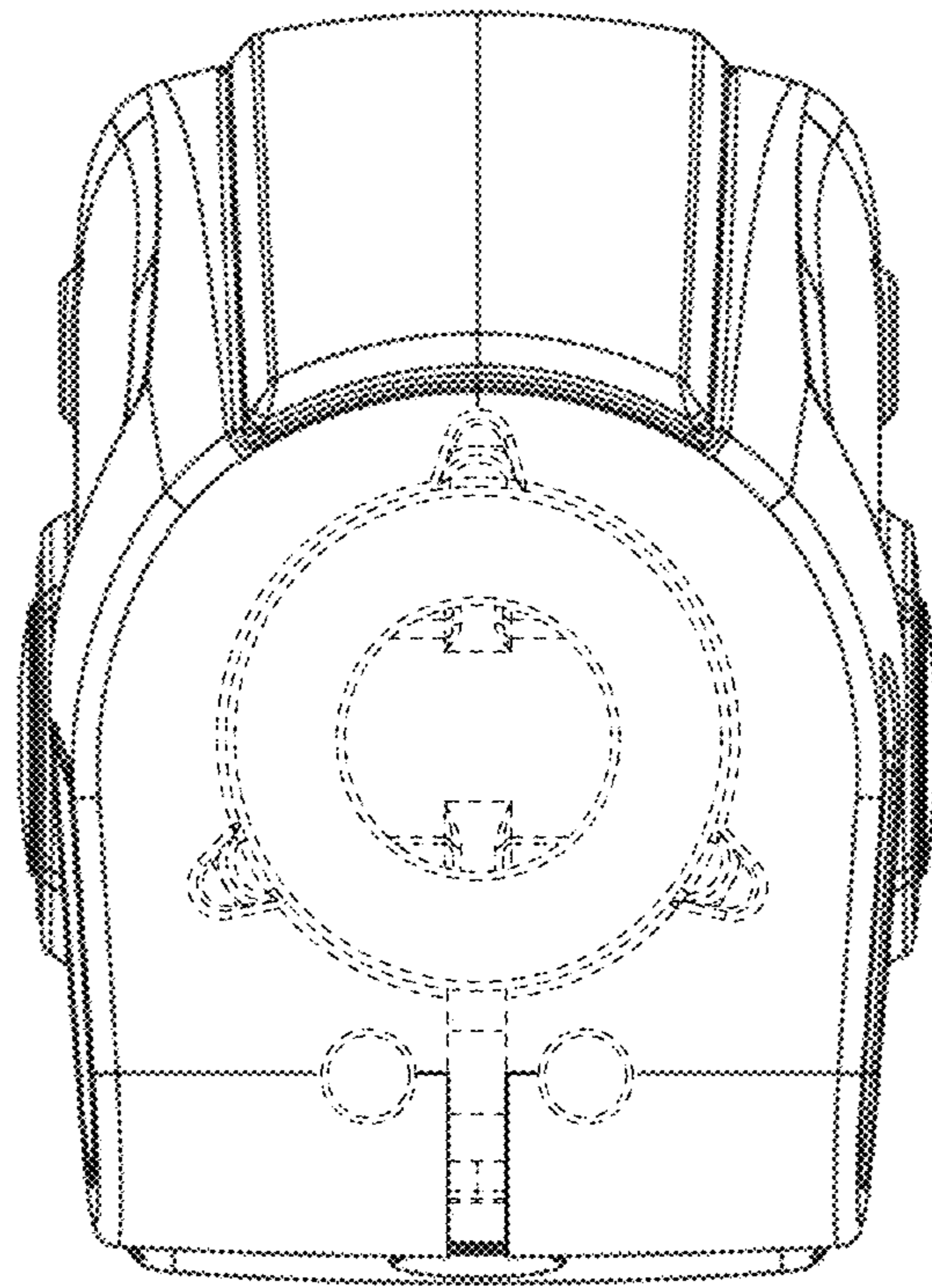


1.4



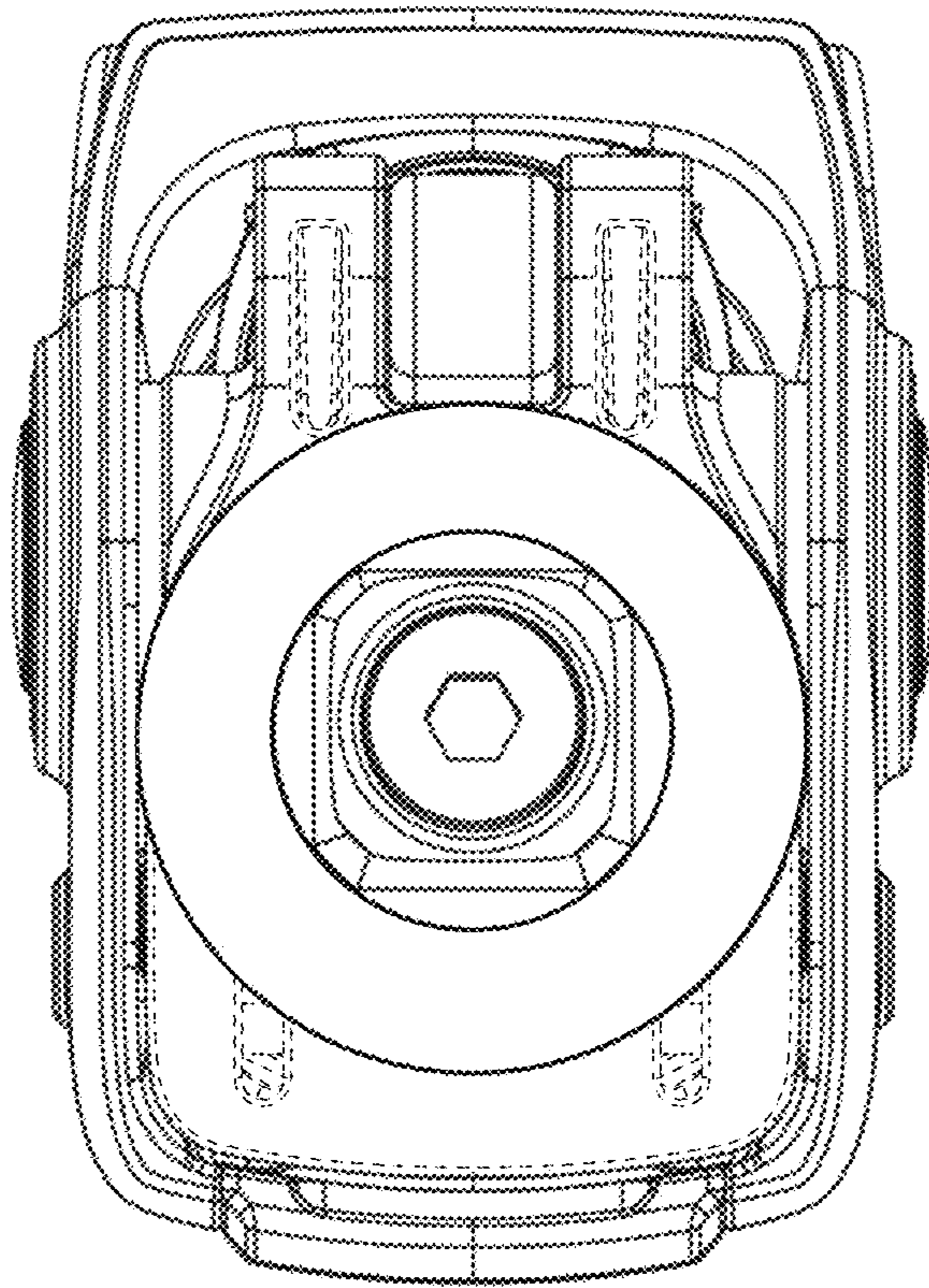


1.5



**1.6**





1.7