



US00D815282S

(12) **United States Design Patent**
Choi et al.

(10) **Patent No.:** **US D815,282 S**

(45) **Date of Patent:** **** Apr. 10, 2018**

(54) **DRUG DELIVERY DEVICE**

(56) **References Cited**

(71) Applicant: **NEW YORK SOCIETY FOR THE RUPTURED AND CRIPPLED MAINTAINING THE HOSPITAL FOR SPE**, New York, NY (US)

U.S. PATENT DOCUMENTS

D578,218 S	*	10/2008	Purga	D24/156
D588,699 S	*	3/2009	Aldecoa	D24/156
D601,703 S	*	10/2009	Kandemann	D24/156
D603,513 S	*	11/2009	Emanuelli	D24/156
D604,851 S	*	11/2009	Ishikawa	D24/156
D605,291 S	*	12/2009	Ishikawa	D24/156
D620,117 S	*	7/2010	Dawson	D24/156
D659,247 S	*	5/2012	Lussi	D24/156
D668,764 S	*	10/2012	Lussi	D24/156
D748,263 S	*	1/2016	Ishiwata	D24/156

(72) Inventors: **Daniel S. Choi**, Flushing, NY (US);
Joseph Lipman, New York, NY (US);
Mark P. Figgie, Riverside, CT (US);
Robert Hotchkiss, Riverside, CT (US)

* cited by examiner

(73) Assignee: **NEW YORK SOCIETY FOR THE RUPTURED AND CRIPPLED MAINTAINING THE HOSPITAL FOR SPECIAL SURGERY**, New York, NY (US)

Primary Examiner — Charles D Hanson

(74) *Attorney, Agent, or Firm* — Leason Ellis LLP

(**) Term: **15 Years**

(57) **CLAIM**

The ornamental design for a drug delivery device, as shown and described.

(21) Appl. No.: **29/575,256**

DESCRIPTION

(22) Filed: **Aug. 23, 2016**

(51) **LOC (11) Cl.** **24-02**

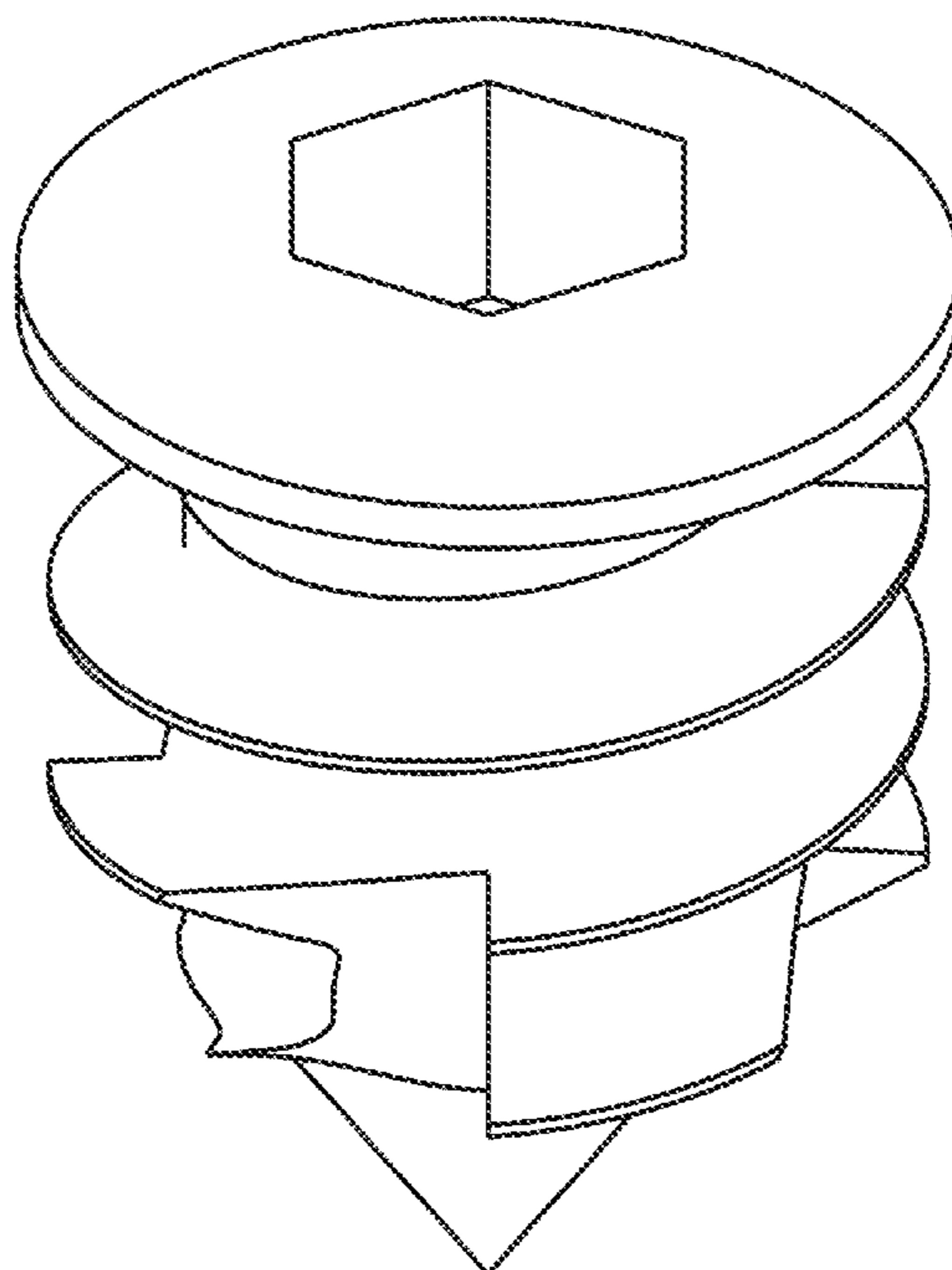
(52) **U.S. Cl.**
USPC **D24/155**

(58) **Field of Classification Search**
USPC D24/155-157
CPC A61B 17/7037; A61B 17/7032; A61B 17/7291; A61B 17/8605; A61B 17/864; A61B 17/8685; A61B 17/70; A61B 17/7011; A61B 17/7035; A61B 17/7082

FIG. 1 is a top and side perspective view of a drug delivery device according to our design;
FIG. 2 is a front perspective view thereof;
FIG. 3 is a rear perspective view thereof;
FIG. 4 is a left side elevation view thereof;
FIG. 5 is a right side elevation view thereof;
FIG. 6 is a top plan view thereof; and,
FIG. 7 is a bottom plan view thereof.
The broken line showing is included for the purpose of illustrating unclaimed subject matter and forms no part of the claimed design.

See application file for complete search history.

1 Claim, 4 Drawing Sheets



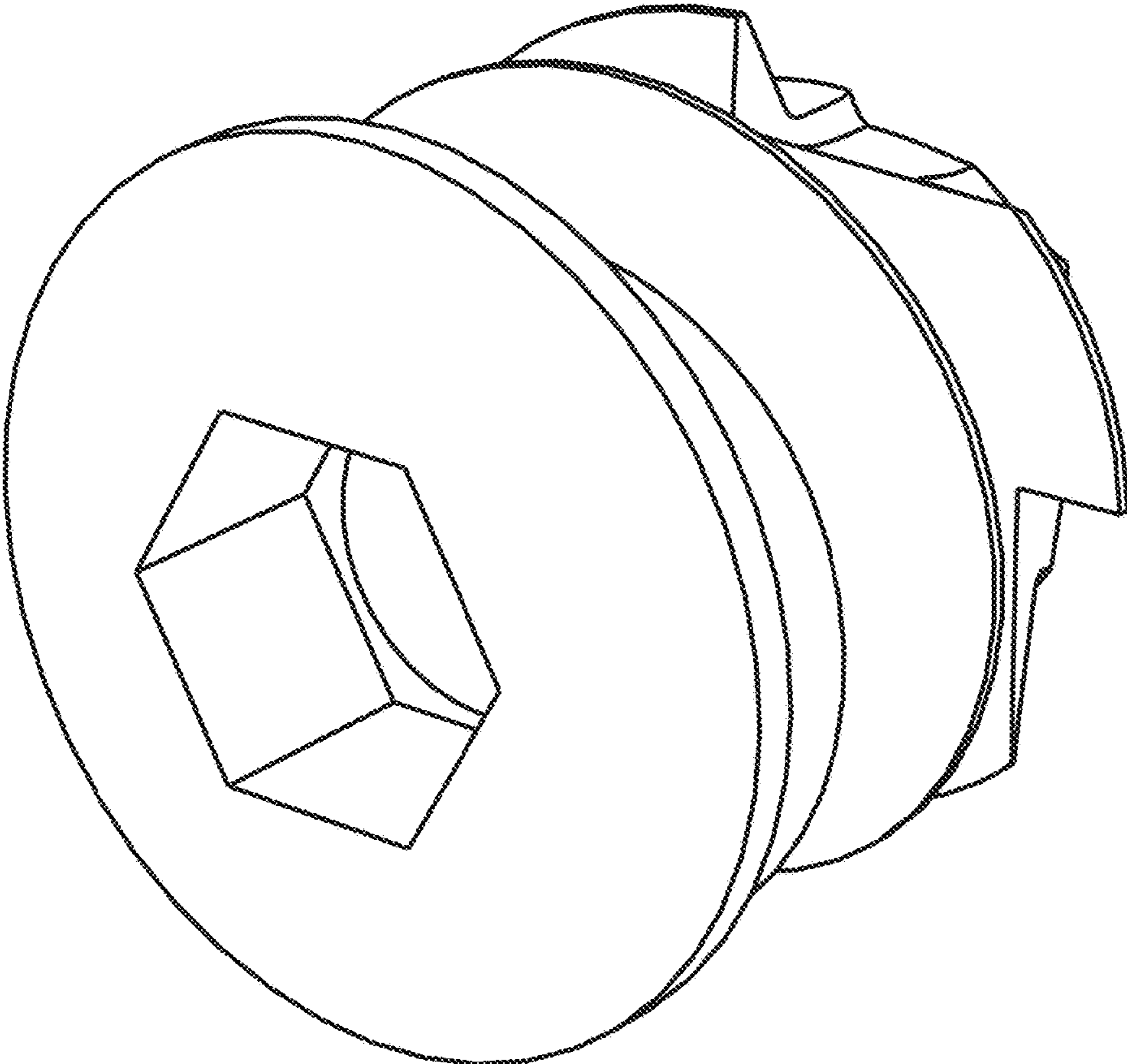


FIG. 1

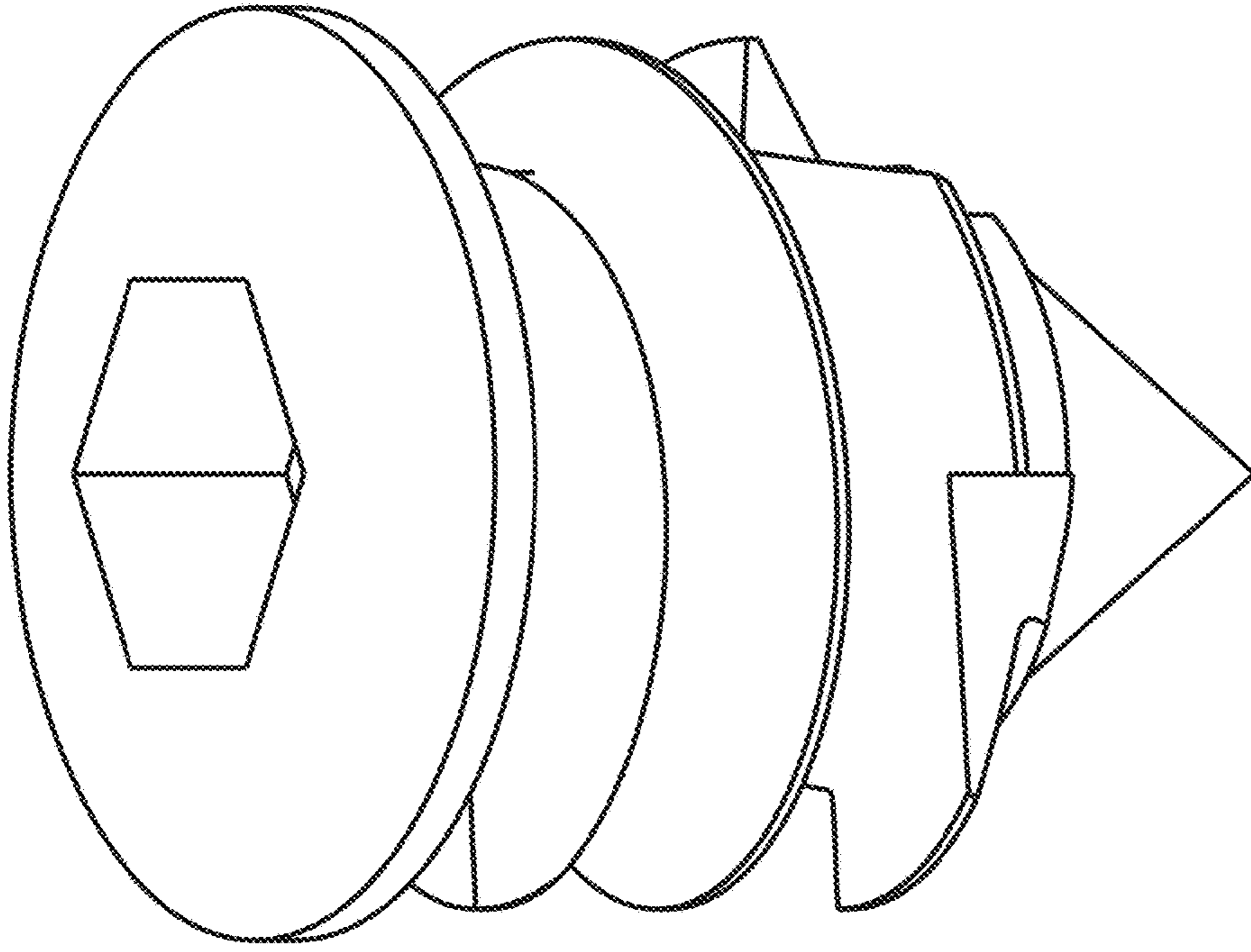


FIG. 2

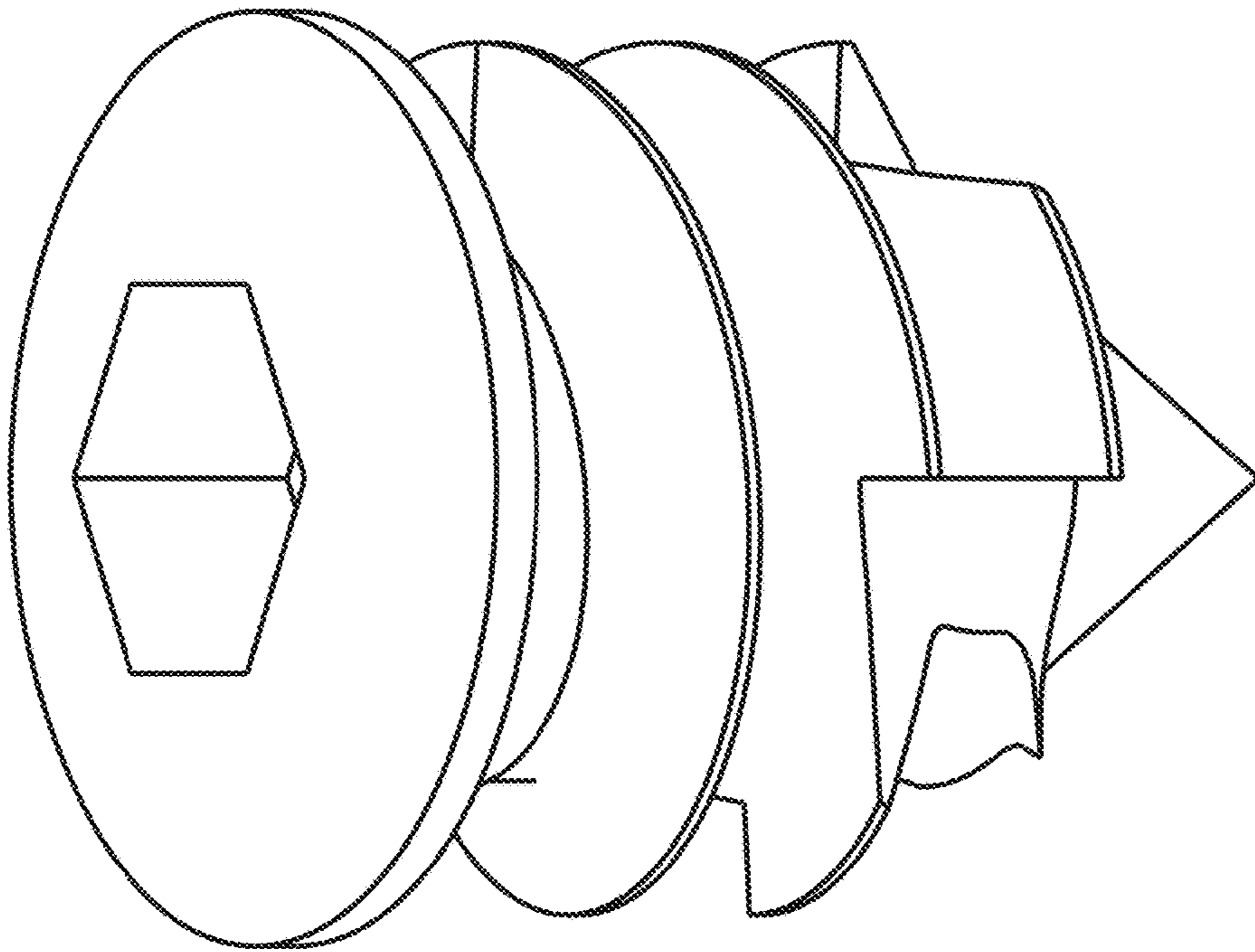


FIG. 3

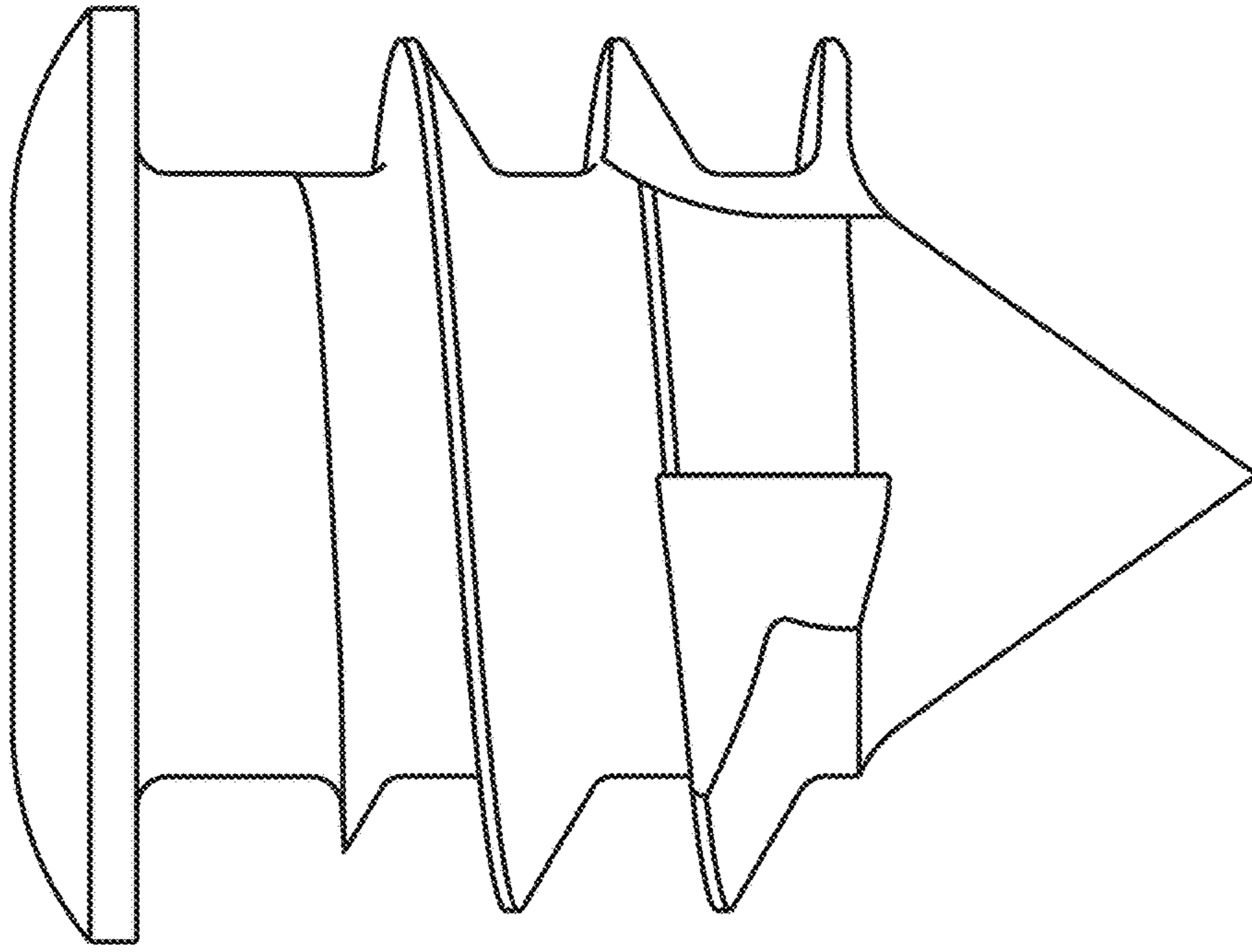


FIG. 5

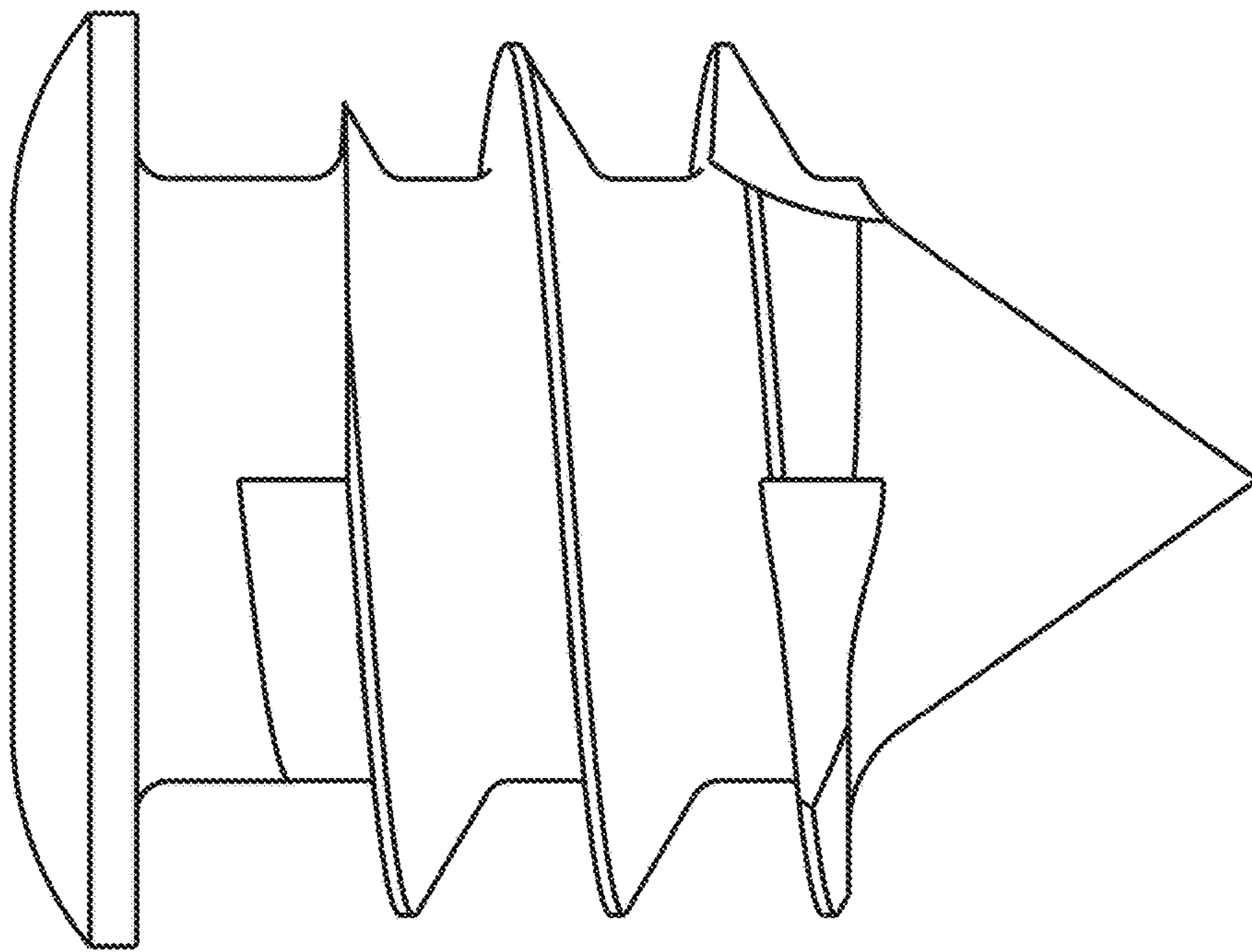


FIG. 4

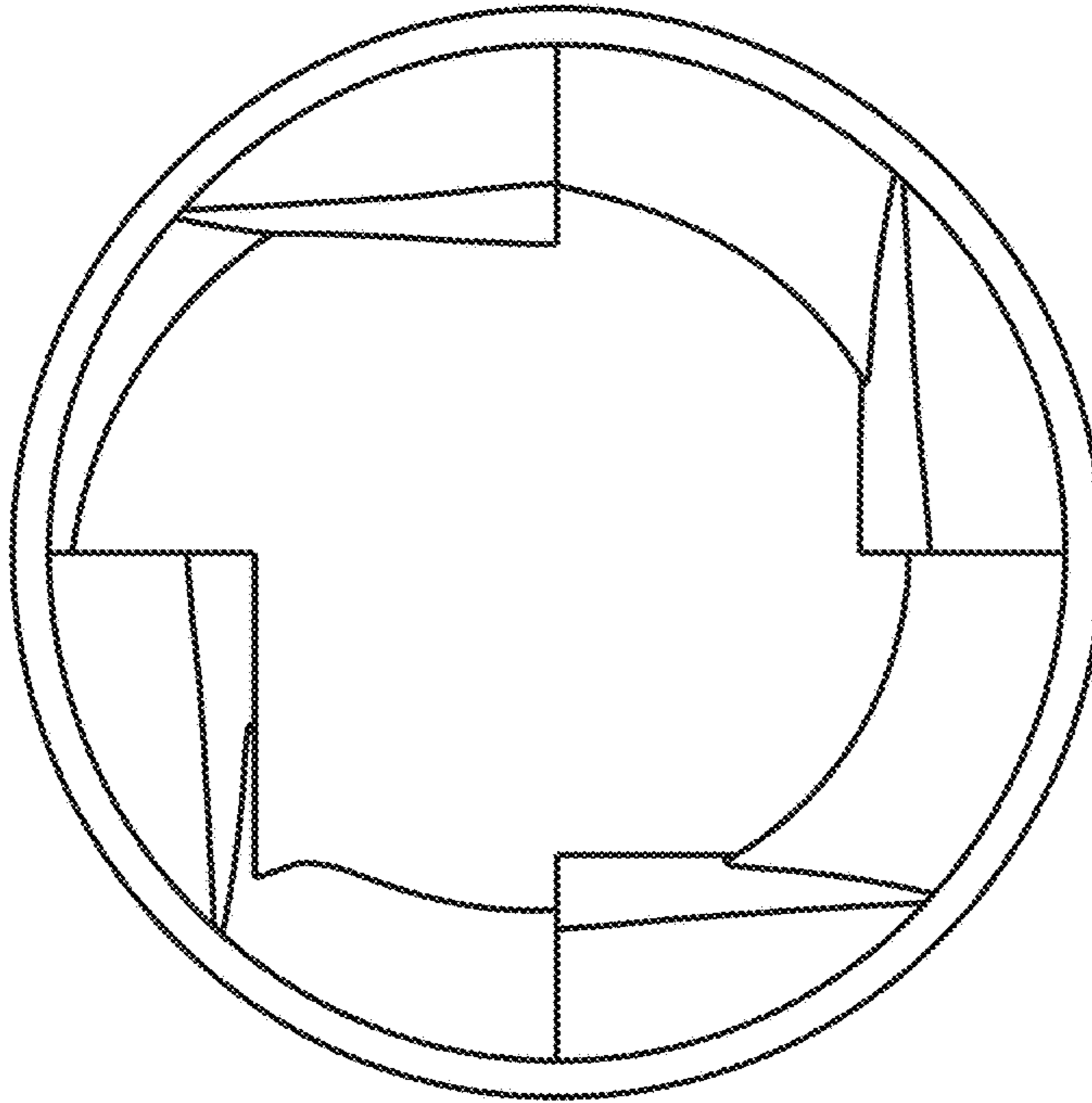


FIG. 6

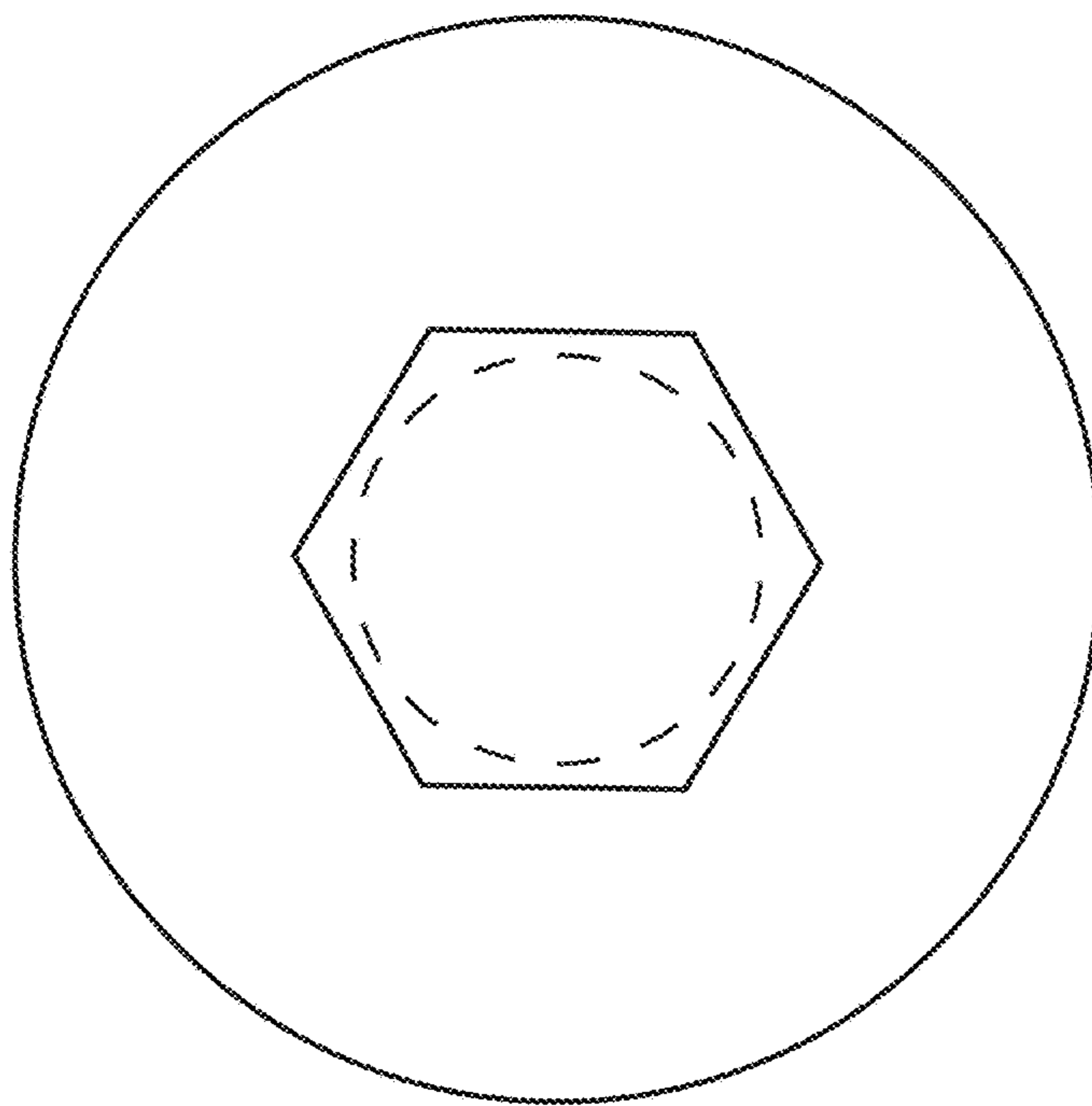


FIG. 7