



US00D815281S

(12) **United States Design Patent** (10) **Patent No.:** **US D815,281 S**
Chang et al. (45) **Date of Patent:** **** Apr. 10, 2018**

(54) **CERVICAL INTERBODY FUSION DEVICE**
(71) Applicant: **Vertera, Inc.**, Atlanta, GA (US)
(72) Inventors: **Wei-Hsiang Chang**, Duluth, GA (US);
Stephen Lee Laffoon, Atlanta, GA (US); **Christopher S. D. Lee**, Atlanta, GA (US); **David Lee Safranski**, Atlanta, GA (US)

4,549,920 A 10/1985 Cogswell et al.
4,764,427 A 8/1988 Hara et al.
4,778,469 A 10/1988 Lin et al.
4,863,604 A 9/1989 Lo et al.
5,326,354 A 7/1994 Kwarteng
5,453,237 A 9/1995 Padovani
5,865,845 A * 2/1999 Thalgott A61F 2/442
623/17.16
5,981,619 A 11/1999 Shikinami et al.
6,183,873 B1 2/2001 Clarke
(Continued)

(73) Assignee: **Vertera, Inc.**, Atlanta, GA (US)
(**) Term: **15 Years**

FOREIGN PATENT DOCUMENTS

(21) Appl. No.: **29/531,125**

DE 10054089 C1 7/2002
DE 102006014174 A1 9/2007
(Continued)

(22) Filed: **Jun. 23, 2015**

OTHER PUBLICATIONS

(51) **LOC (11) Cl.** **24-02**

International Search Report and Written Opinion dated Sep. 23, 2015 in International Application No. PCT/US2015/038181.

(52) **U.S. Cl.**

USPC **D24/155**

(58) **Field of Classification Search**

USPC D24/155-157

CPC A61F 2/4611; A61F 2/442; A61F 2/447;
A61F 2220/0025; A61F 2310/00023;
A61F 2310/00017; A61F 2002/4475;
A61F 2002/30841; A61F 2002/2835;
A61F 2002/30904; A61F 2002/30785;
A61F 2002/443; A61F 2002/30578

See application file for complete search history.

(Continued)

Primary Examiner — Charles D Hanson

(57) **CLAIM**

The ornamental design for a cervical interbody fusion device, as shown and described.

DESCRIPTION

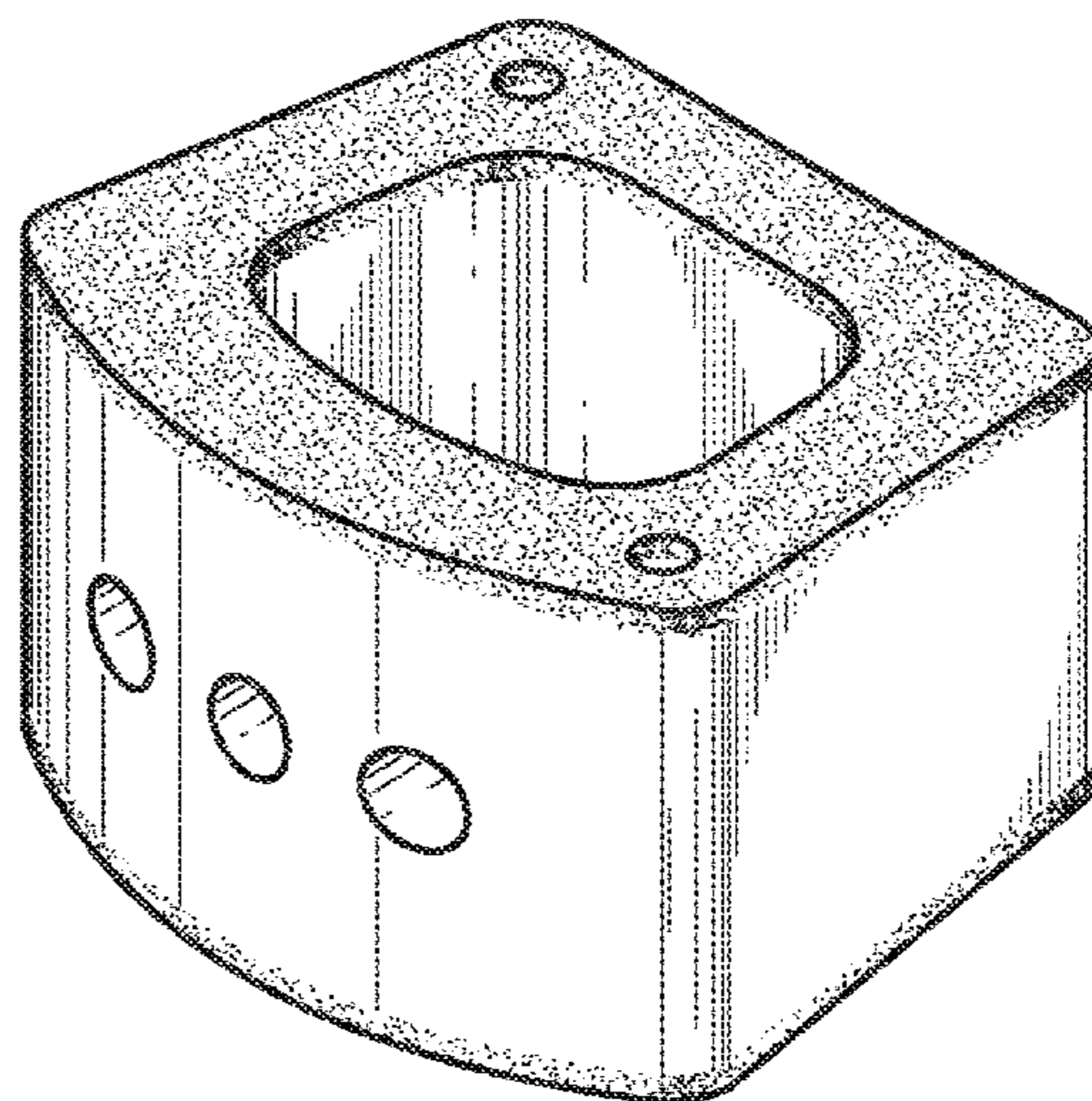
(56) **References Cited**

U.S. PATENT DOCUMENTS

699,026 A 4/1902 Shaler
3,059,275 A 10/1962 Vogt
3,445,553 A 5/1969 Hardigg
3,679,538 A 7/1972 Druin et al.
3,924,995 A 12/1975 Crooks et al.
3,947,212 A 3/1976 Griner et al.
4,043,733 A 8/1977 De Mets
4,164,794 A 8/1979 Spector et al.
4,351,069 A 9/1982 Ballintyn et al.
4,487,731 A 12/1984 Kobayashi

FIG. 1 is a perspective view of a cervical interbody fusion device showing our new design;
FIG. 2 is a side view thereof;
FIG. 3 is a front view thereof;
FIG. 4 is a back view thereof;
FIG. 5 is a top view thereof; and,
FIG. 6 is a partial cross sectional view of a top or bottom portion of the device.
The stipple hatching shown depicts a porous surface.

1 Claim, 3 Drawing Sheets



(56)

References Cited

U.S. PATENT DOCUMENTS

6,241,771 B1 * 6/2001 Gresser A61F 2/30965
606/77
6,277,149 B1 * 8/2001 Boyle A61F 2/4465
623/16.11
6,503,278 B1 1/2003 Phjonon et al.
6,689,608 B1 2/2004 Mikos et al.
6,719,942 B1 4/2004 Triplett et al.
D530,423 S * 10/2006 Miles D24/155
D623,747 S * 9/2010 Horton A61F 2/442
D24/155
7,819,650 B2 10/2010 Meskendahl et al.
D631,967 S * 2/2011 Horton D24/155
7,964,206 B2 6/2011 Suokas et al.
D692,136 S * 10/2013 Tyber D24/155
D735,859 S * 8/2015 Palinchik D24/155
D735,860 S * 8/2015 Palinchik D24/155
D735,861 S * 8/2015 Embleton D24/155
D736,384 S * 8/2015 Palinchik D24/155
9,345,817 B2 5/2016 Papangelou et al.
9,498,922 B2 11/2016 Chang et al.
D794,796 S * 8/2017 Lin D24/155
2001/0015152 A1 8/2001 Dohr et al.
2001/0020757 A1 9/2001 Fried et al.
2003/0086973 A1 5/2003 Sowden et al.
2003/0138516 A1 7/2003 Hess
2004/0026811 A1 2/2004 Murphy et al.
2004/0138058 A1 7/2004 Sambasivan et al.
2004/0152974 A1 8/2004 Solomon
2004/0171924 A1 9/2004 Mire et al.
2005/0220932 A1 10/2005 Van Der Eerden et al.
2005/0225008 A1 10/2005 Deardurff et al.
2005/0246021 A1 11/2005 Ringeisen et al.
2007/0191962 A1 8/2007 Jones et al.
2007/0266542 A1 11/2007 Melsheimer
2007/0275863 A1 11/2007 Whitmarsh
2008/0185748 A1 8/2008 Kalkanoglu
2008/0185752 A1 8/2008 Cerwin et al.
2008/0208325 A1 8/2008 Helmus et al.
2008/0211128 A1 9/2008 Lucier et al.
2009/0104420 A1 4/2009 Nadella et al.
2009/0222091 A1 9/2009 Morrisette et al.
2010/0040902 A1 2/2010 Mizrahi
2010/0087925 A1 * 4/2010 Kostuik A61F 2/447
623/17.16
2010/0151114 A1 6/2010 Parrott
2010/0173036 A1 7/2010 Haynes et al.
2010/0225033 A1 9/2010 Kwasniewski et al.
2010/0256804 A1 10/2010 Freeman
2011/0144480 A1 6/2011 Lu et al.
2011/0177320 A1 7/2011 Mehrabi et al.
2011/0230970 A1 9/2011 Lynn et al.
2011/0290674 A1 12/2011 Shanley, IV

2012/0040037 A1 2/2012 Kwasniewski et al.
2012/0077010 A1 3/2012 Manesis et al.
2012/0310137 A1 12/2012 Silvestrini
2012/0323339 A1 12/2012 Olade Graells et al.
2013/0053688 A1 2/2013 Watschke et al.
2013/0119584 A1 5/2013 Vantrease
2013/0164403 A1 6/2013 Boogers et al.
2013/0211541 A1 8/2013 Kerb et al.
2013/0282135 A1 10/2013 Sun et al.
2013/0345827 A1 12/2013 Wallick
2014/0102161 A1 4/2014 Stewart
2014/0324213 A1 10/2014 Stewart
2014/0346716 A1 11/2014 Zhang
2015/0373381 A1 12/2015 Rouhana, Jr.
2016/0166301 A1 6/2016 Papangelou et al.
2016/0361837 A1 12/2016 Hayes et al.

FOREIGN PATENT DOCUMENTS

EP 0512401 A2 11/1992
EP 0714869 A2 6/1996
EP 1162047 A1 12/2001
FR 1171658 A 1/1959
GB 829811 A 3/1960
WO 1999064361 A1 12/1999
WO 2002068373 A2 9/2002
WO 2003024626 A1 3/2003
WO 2003-074227 A1 9/2003
WO 2003080119 A1 10/2003
WO 2004020362 A1 3/2004
WO 2004082333 A1 9/2004
WO 2007090131 A1 8/2007

OTHER PUBLICATIONS

International Search Report and Written Opinion for International Application No. PCT/US2009/047286 filed Jun. 12, 2009.
International Preliminary Search Report on Patentability for International Application No. PCT/US2009/047286 filed Jun. 12, 2009.
International Search Report and Written Opinion for International Application No. PCT/US2013/055656 filed Aug. 20, 2013.
International Search Report and Written Opinion for International Application No. PCT/US2013/055655 filed Aug. 20, 2013.
FortiCore® Cervical—Nanovis Inc. Retrieved Mar. 10, 2016, from <http://www.nanovisinc.com/forticore-cervical/>.
Non-Final Office Action dated Mar. 4, 2016 in related U.S. Appl. No. 14/985,226.
Non-Final Office Action dated Mar. 3, 2016 in related U.S. Appl. No. 14/985,206.
Hitachi, "DSC Measurement of Polypropylene", Aug. 2008, Hitachi High-Tech Science Corporation, TA No. 86, pp. 1-2.

* cited by examiner

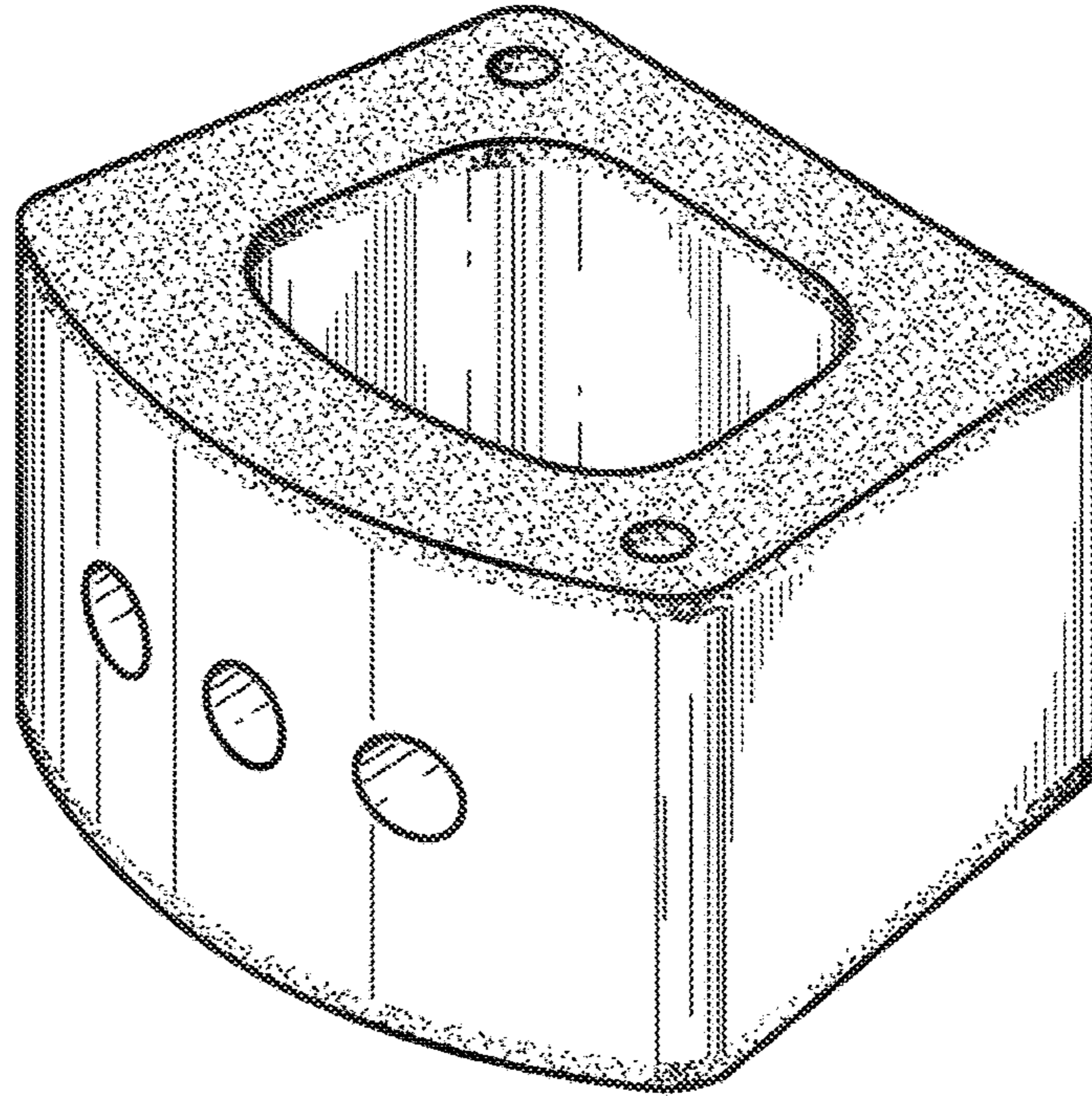


FIG. 1

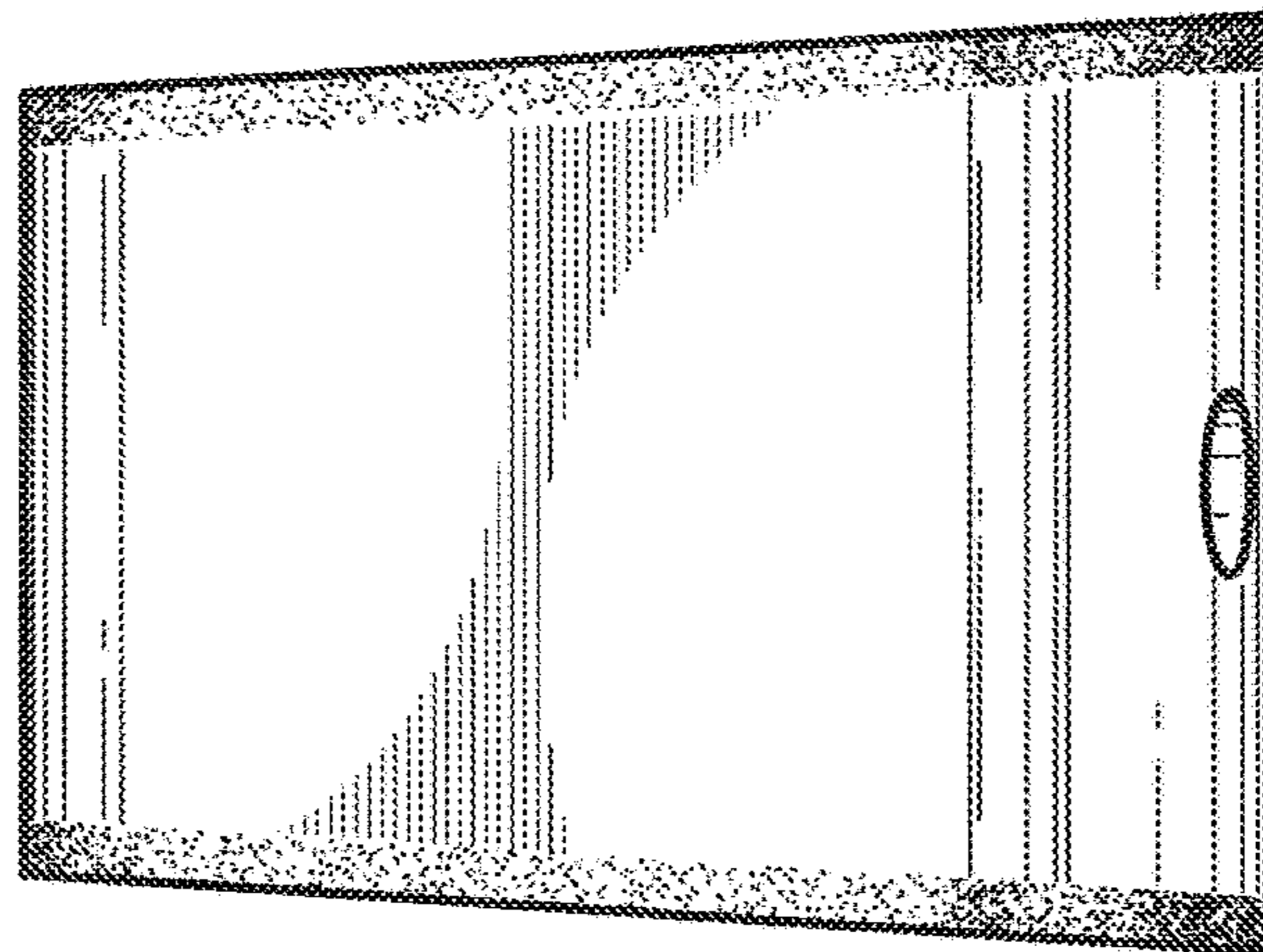


FIG. 2

FIG. 3

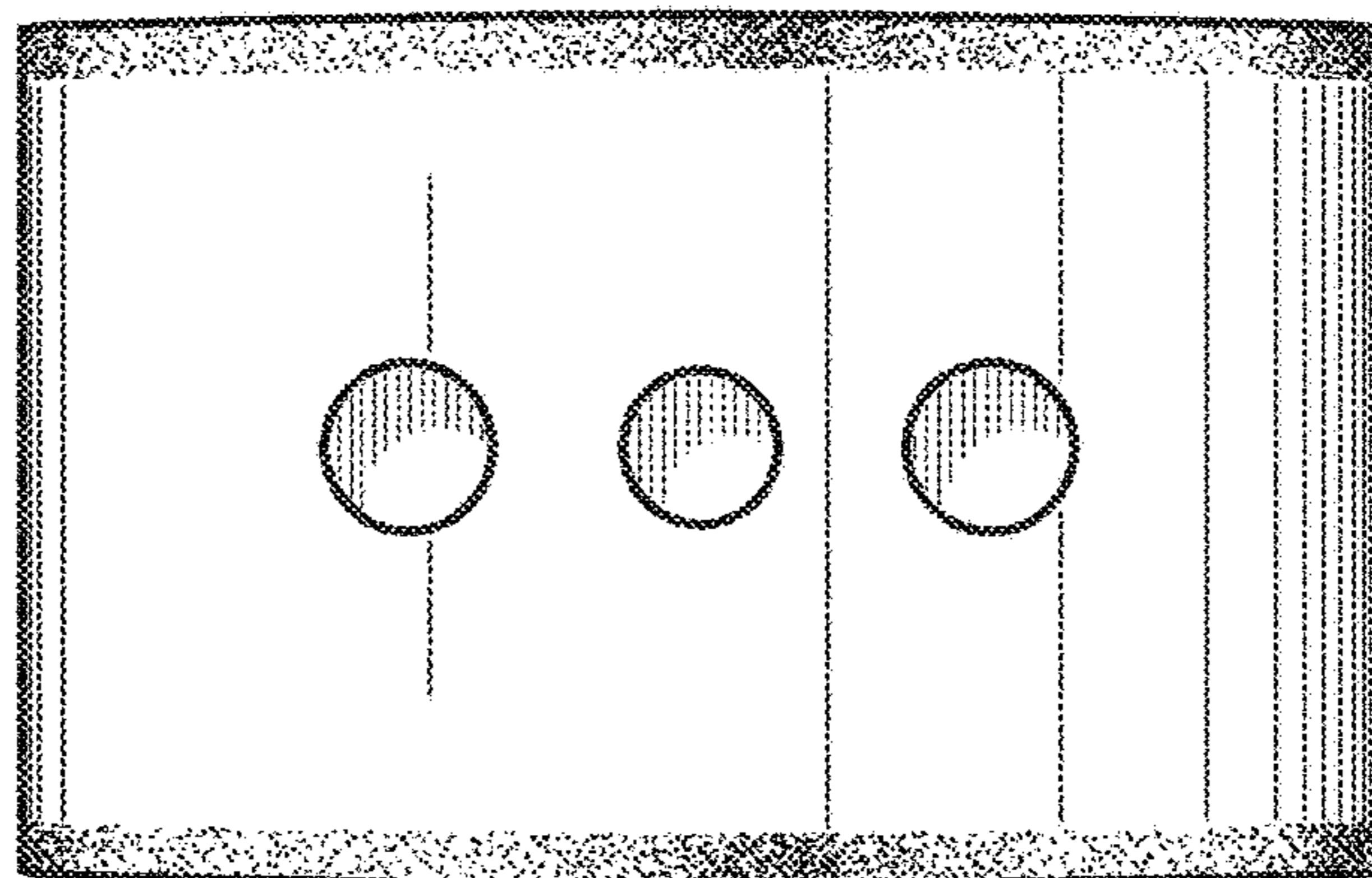


FIG. 4

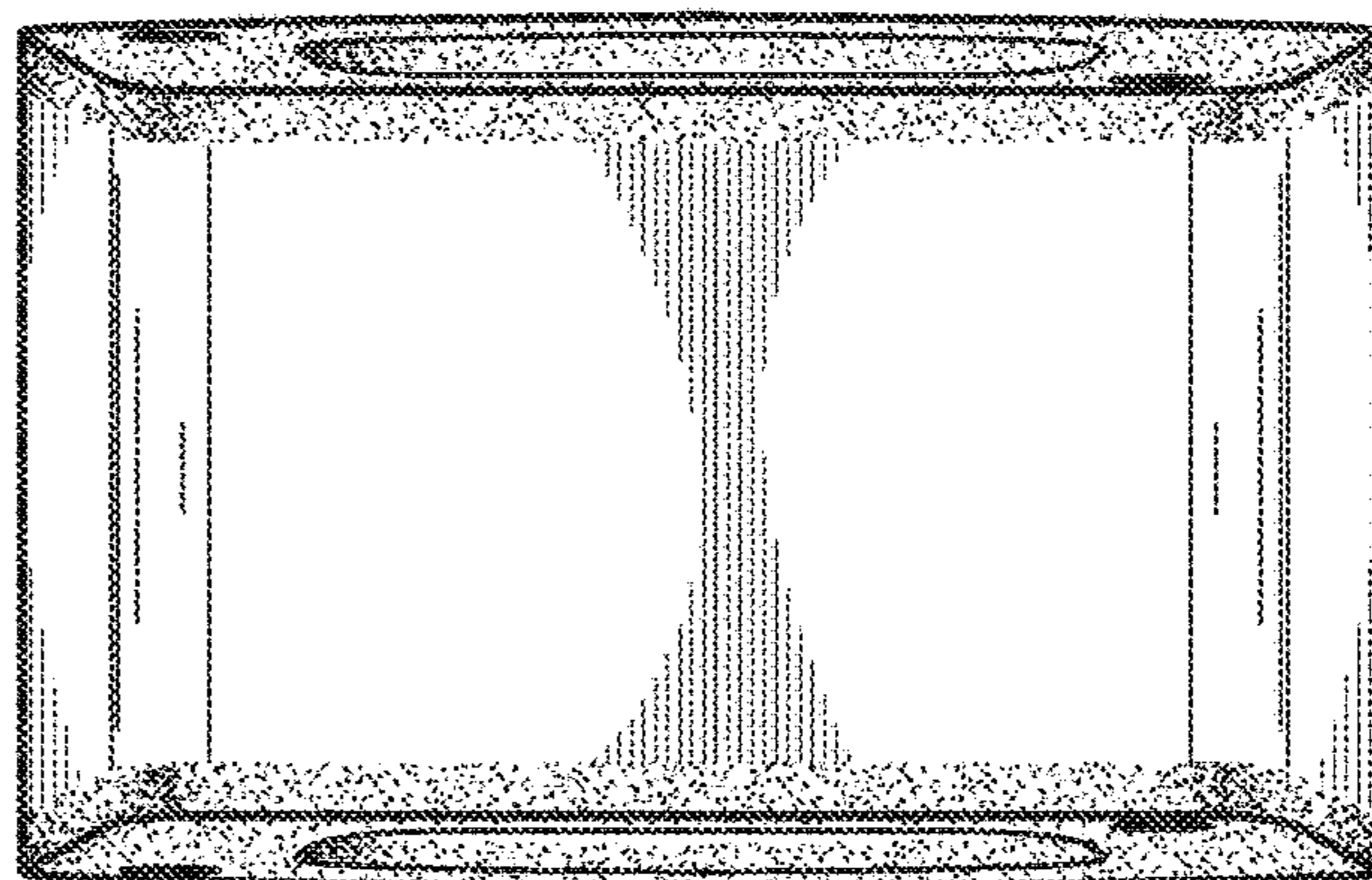
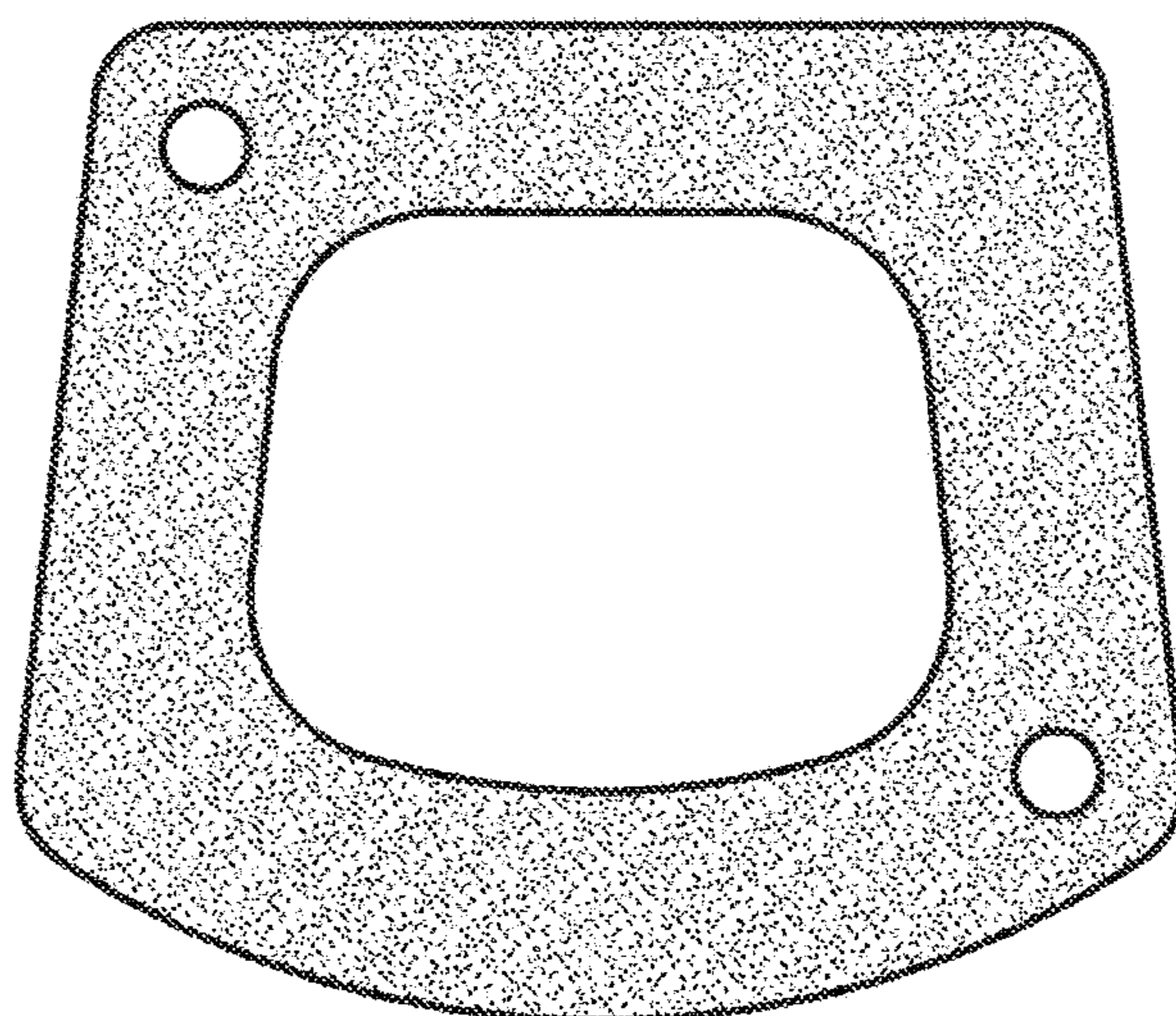


FIG. 5



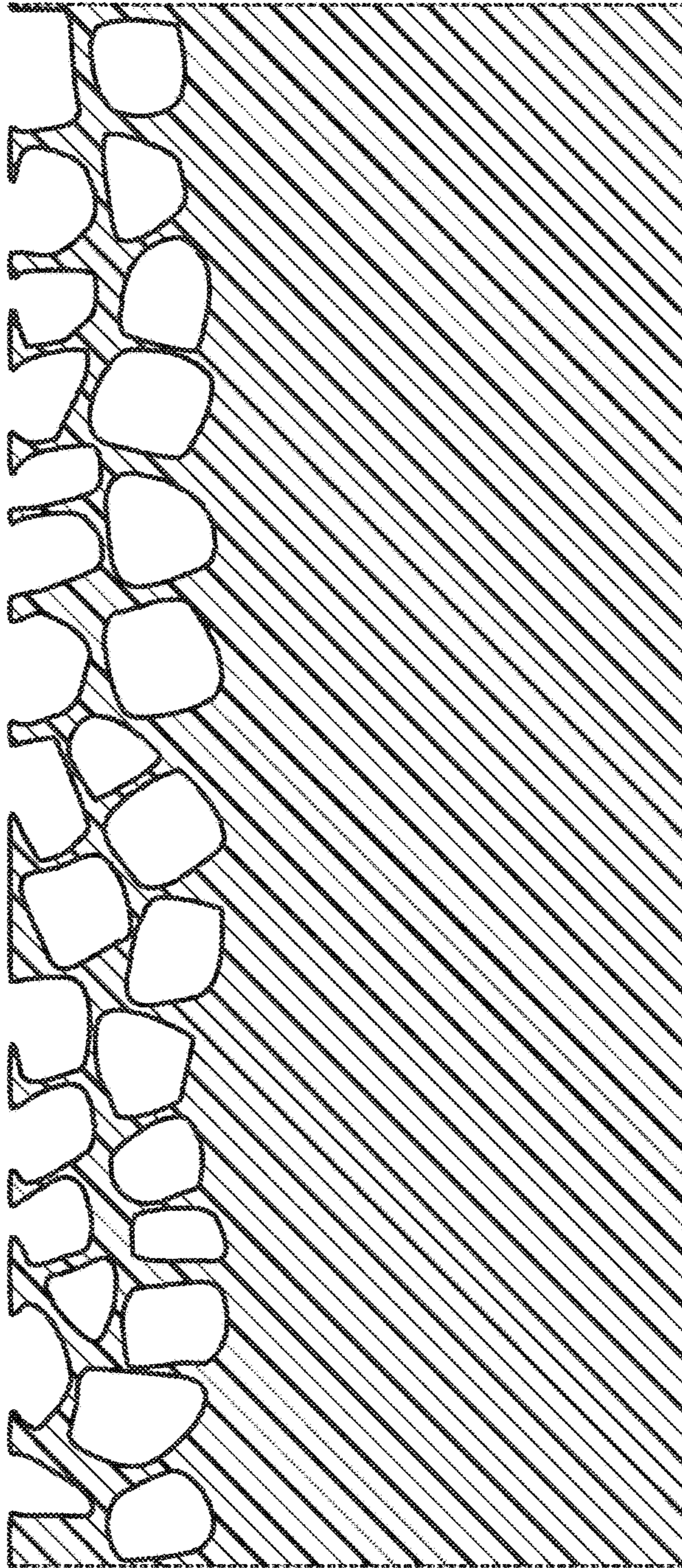


FIG. 6