



US00D815278S

(12) **United States Design Patent** (10) **Patent No.:** **US D815,278 S**
Pak (45) **Date of Patent:** **** Apr. 10, 2018**

(54) **VALVE STOPPER FOR SYRINGE**
(71) Applicant: **Jae Woo Pak**, Seoul (KR)
(72) Inventor: **Jae Woo Pak**, Seoul (KR)
(**) Term: **15 Years**
(21) Appl. No.: **29/566,021**
(22) Filed: **May 26, 2016**
(30) **Foreign Application Priority Data**
Nov. 27, 2015 (KR) 30-2015-0060002

(51) **LOC (11) Cl.** **24-02**
(52) **U.S. Cl.**
USPC **D24/130**
(58) **Field of Classification Search**
USPC D24/127-131, 112-114, 133, 186;
606/181, 185; 604/264, 272, 115, 232,
604/187, 158, 164.08, 192, 263, 163, 181,
604/184, 198, 227; 600/101, 139, 143;
128/200.24, 207.14, 207.15
CPC Y10T 436/2575; A61M 5/31596; B01J
19/0046; B01J 2219/00527
See application file for complete search history.

(56) **References Cited**
U.S. PATENT DOCUMENTS
D303,710 S * 9/1989 Neill D23/262
5,176,126 A * 1/1993 Chikama A61B 1/0055
138/120
D335,349 S * 5/1993 Lyon D24/151
D347,894 S * 6/1994 Hansen D24/114
D437,412 S * 2/2001 Maeji D24/127
6,482,182 B1 * 11/2002 Carroll A61N 1/0539
604/164.04
D480,640 S * 10/2003 Oyama D24/129
D486,224 S * 2/2004 Gay, III D24/109

7,316,679 B2 * 1/2008 Bierman A61M 39/10
128/DIG. 26
D603,502 S * 11/2009 Petersen D24/133
D616,090 S * 5/2010 Kawamura D24/127
7,842,008 B2 * 11/2010 Clarke A61M 5/158
604/115
7,857,284 B2 * 12/2010 Kimball A61M 39/045
251/149.2
D639,940 S * 6/2011 Cushner D24/129
D660,960 S * 5/2012 Gronberg D24/129
D665,498 S * 8/2012 Tamura D24/130
D737,961 S * 9/2015 Schultz D24/129
D737,962 S * 9/2015 Schultz D24/129
D743,044 S * 11/2015 Jackson D24/129
D750,775 S * 3/2016 Carrel D24/130
D761,421 S * 7/2016 Nakagami D24/129

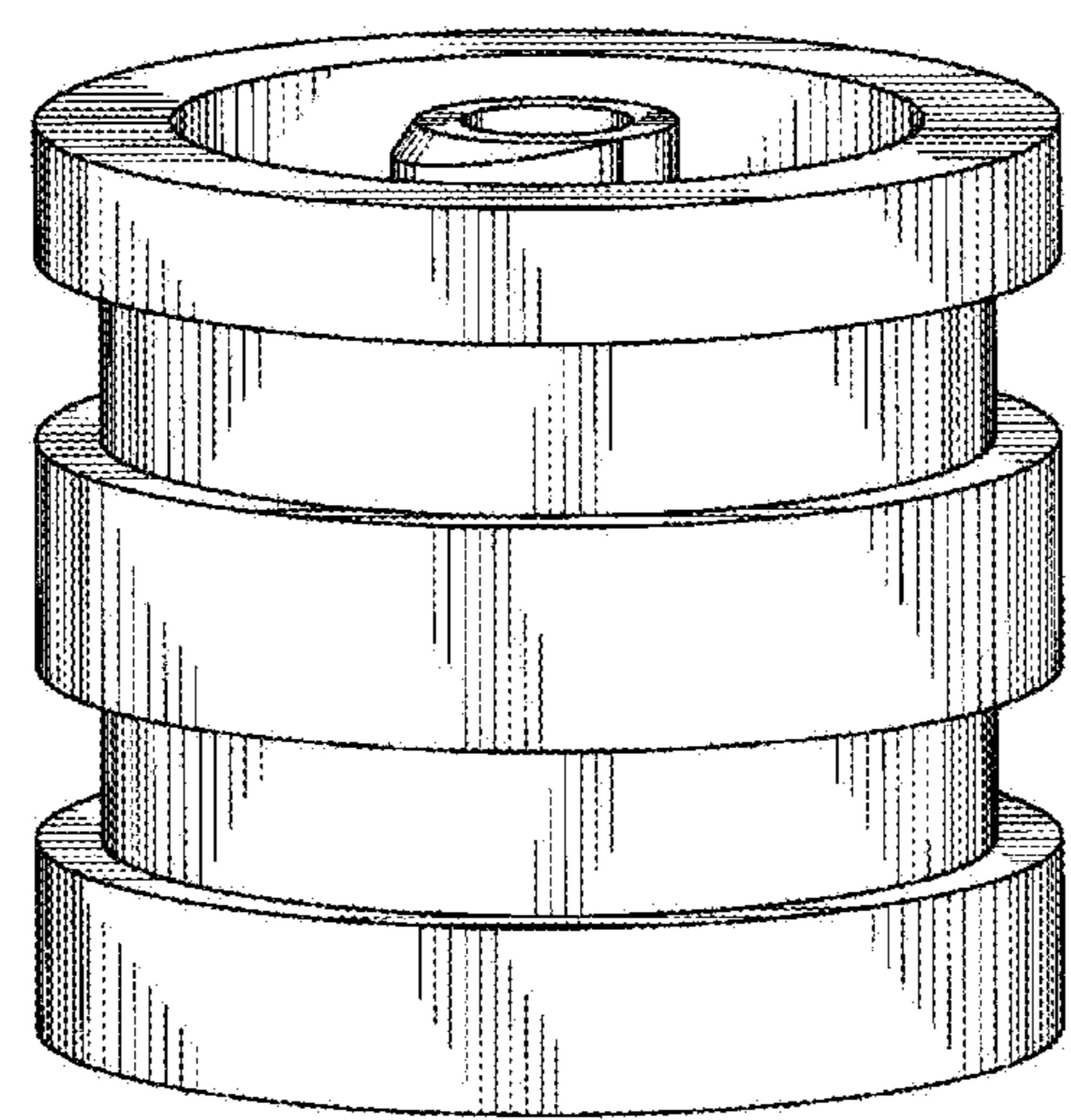
(Continued)

Primary Examiner — David Muller
Assistant Examiner — Nathan Johnston
(74) *Attorney, Agent, or Firm* — LRK Patent Law Firm

(57) **CLAIM**
The ornamental design for valve stopper for syringe, as shown and described.

DESCRIPTION
FIG. 1 is a perspective view of the valve stopper for syringe showing our new design;
FIG. 2 is a front elevational view thereof;
FIG. 3 is a rear elevational view thereof;
FIG. 4 is a left side elevational view thereof;
FIG. 5 is a right, side elevational view thereof;
FIG. 6 is a top plan view thereof;
FIG. 7 is a bottom view thereof;
FIG. 8 is a cross sectional view thereof which is taken along the line 8-8 in FIG. 6;
FIG. 9 is an environmental perspective view thereof; and,
FIG. 10 is an environmental perspective view thereof.
The features shown in broken lines depict environmental subject matter only and form no part of the claimed design.

1 Claim, 10 Drawing Sheets



(56)

References Cited

U.S. PATENT DOCUMENTS

D773,660 S * 12/2016 Shiozaki D24/130
2002/0133124 A1 * 9/2002 Leinsing A61M 39/26
604/256
2007/0167804 A1 * 7/2007 Park A61B 5/0066
600/459
2008/0200900 A1 * 8/2008 Aeschlimann A61M 39/1011
604/523
2009/0287237 A1 * 11/2009 Nicholls A61B 5/150916
606/182

* cited by examiner

FIG. 1

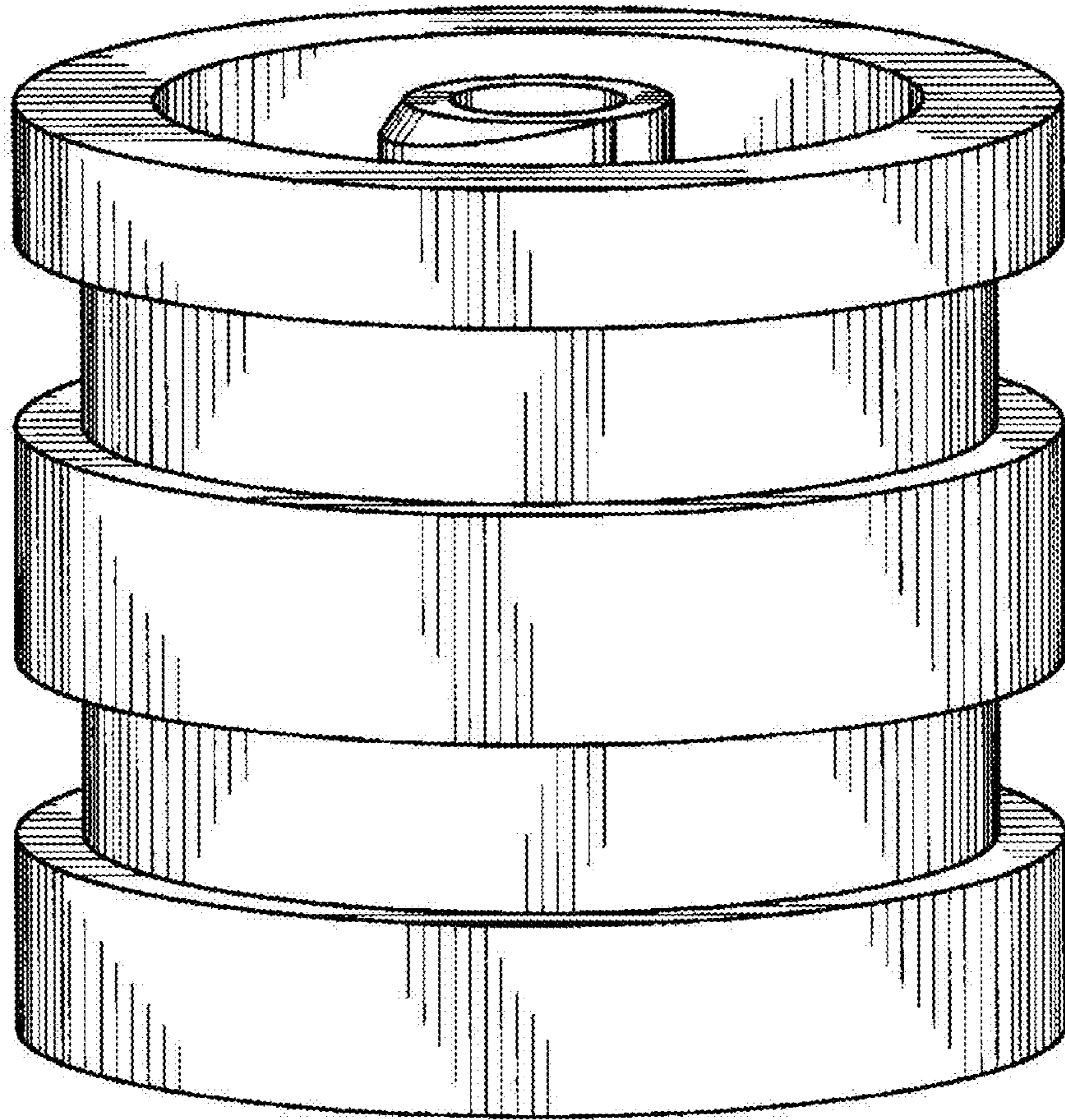


FIG. 2

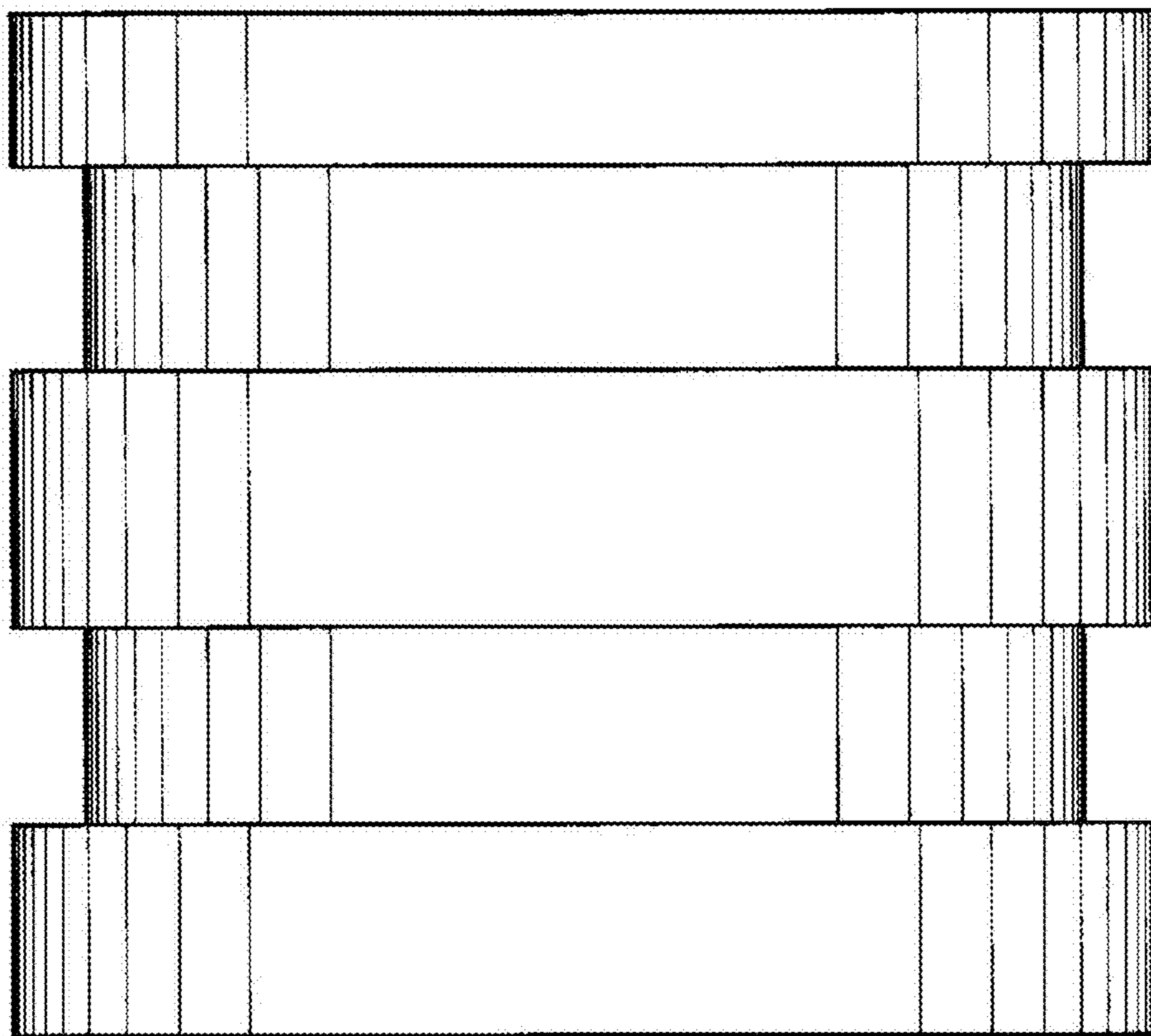


FIG. 3

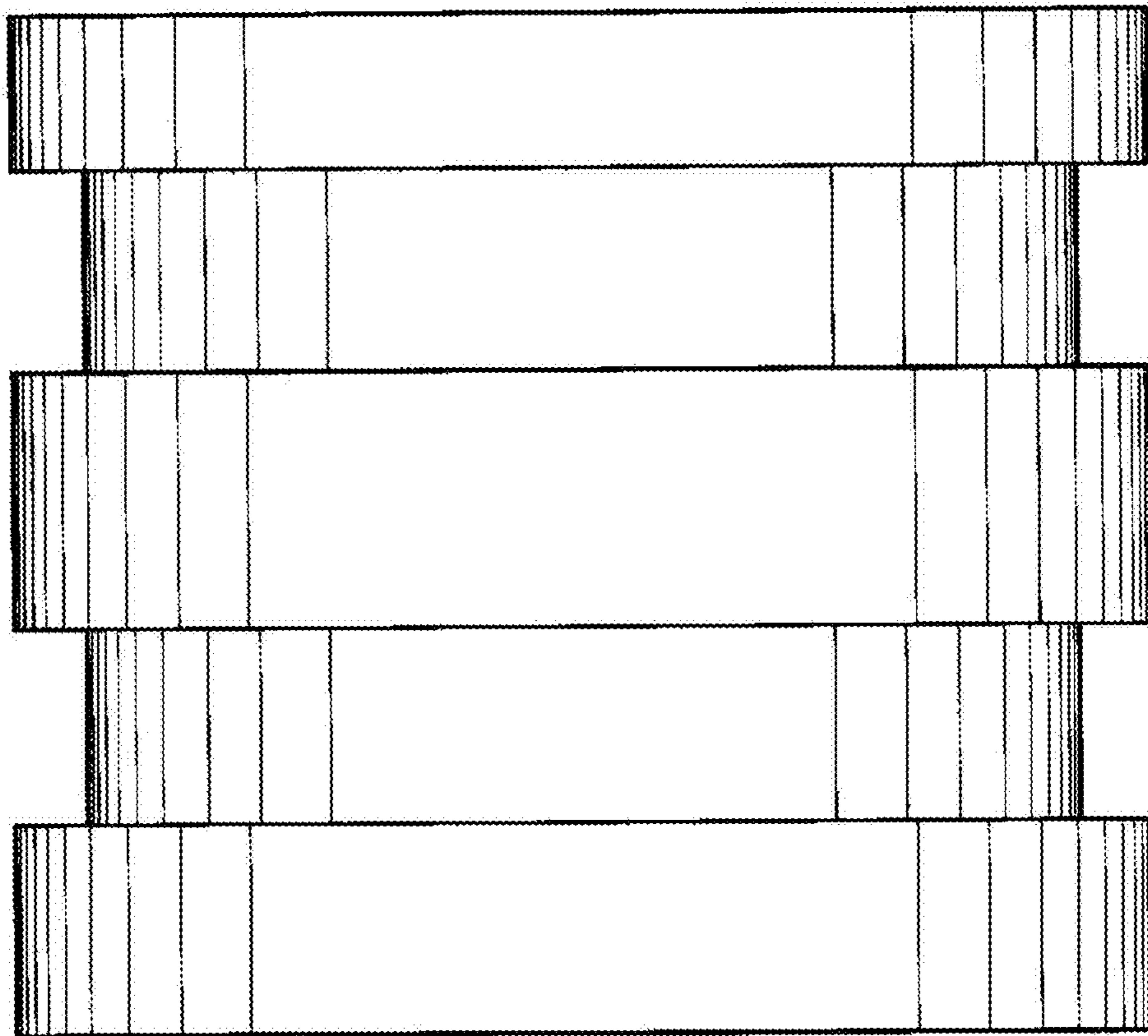


FIG. 4

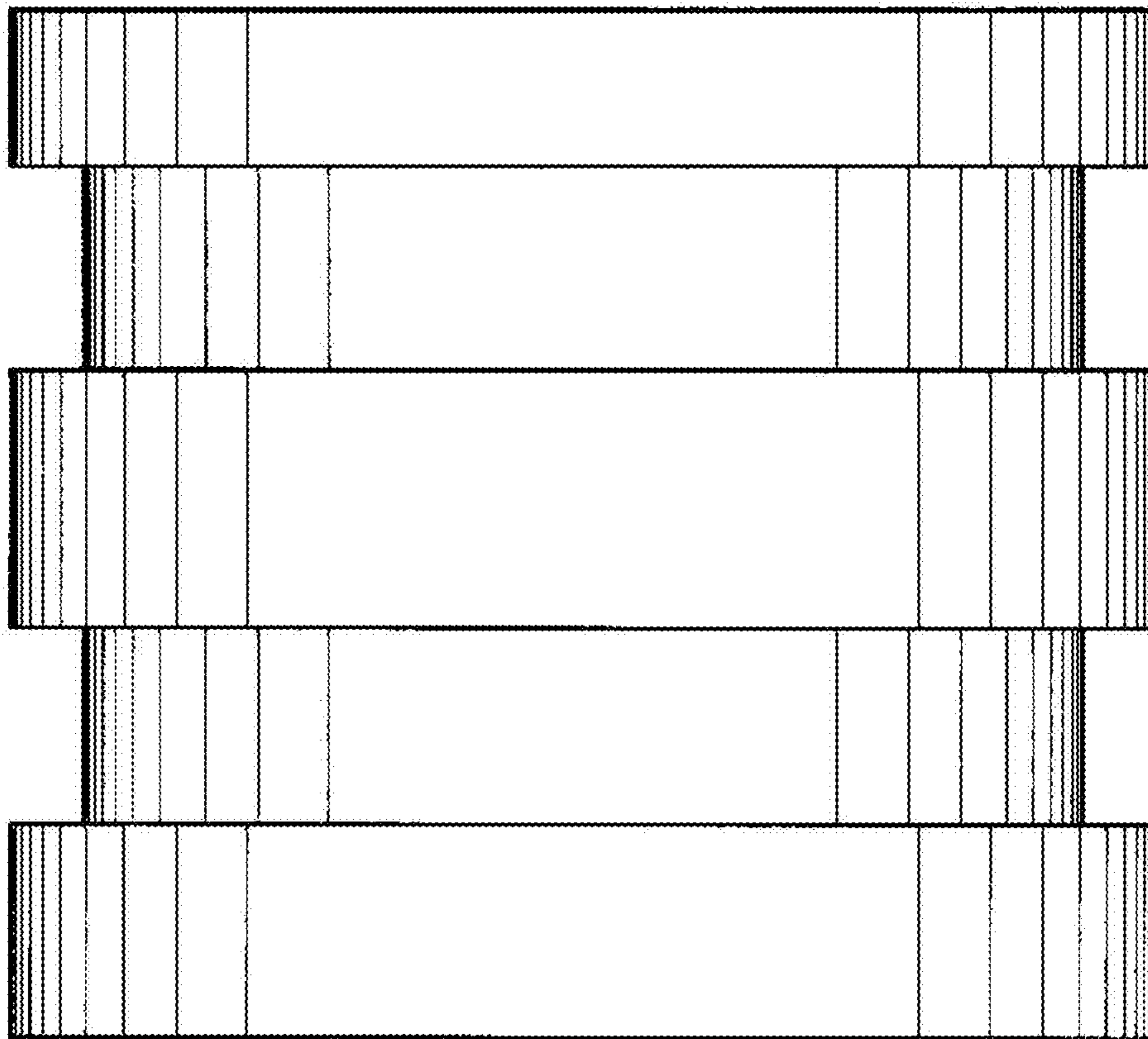


FIG. 5

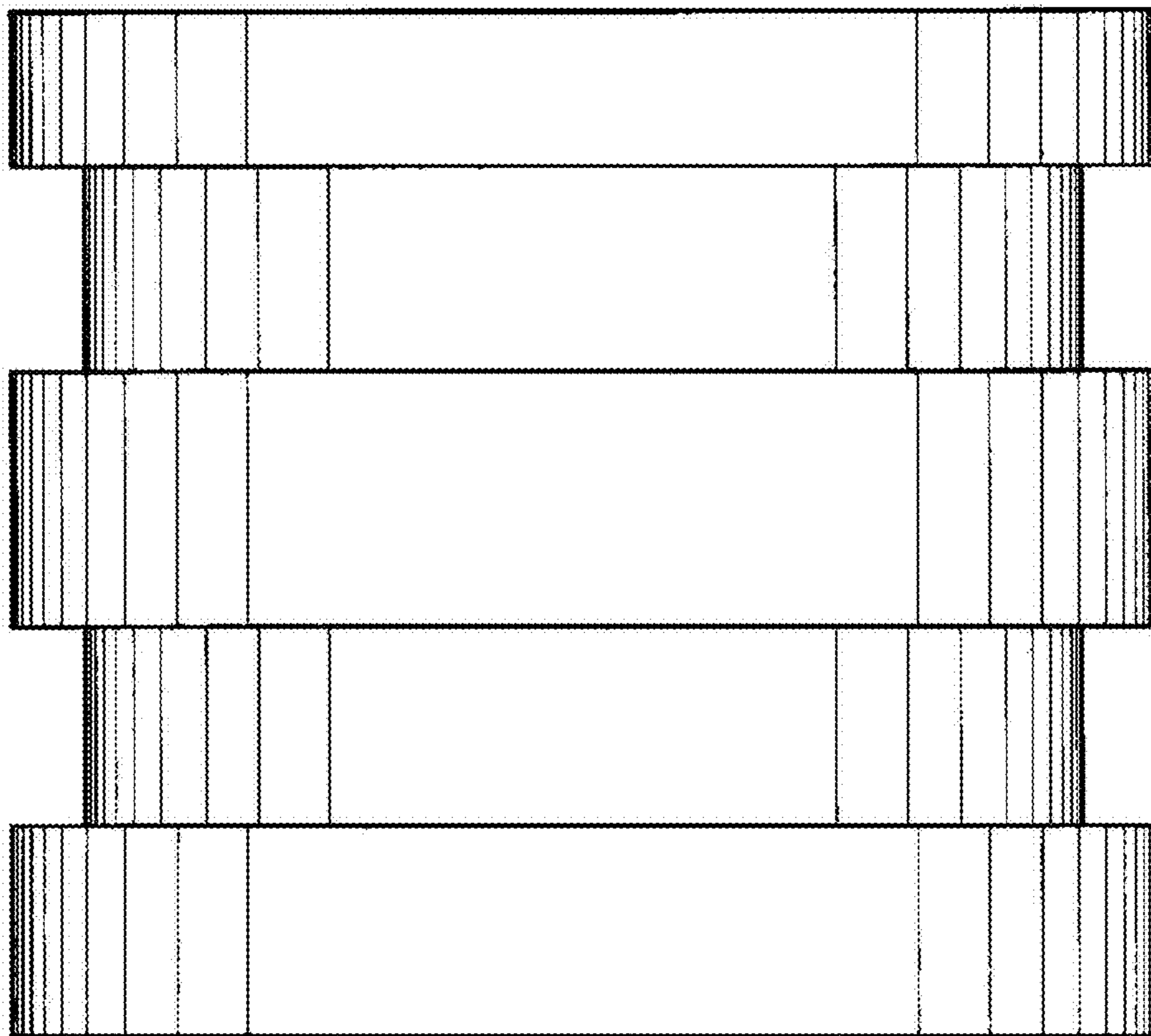


FIG. 6

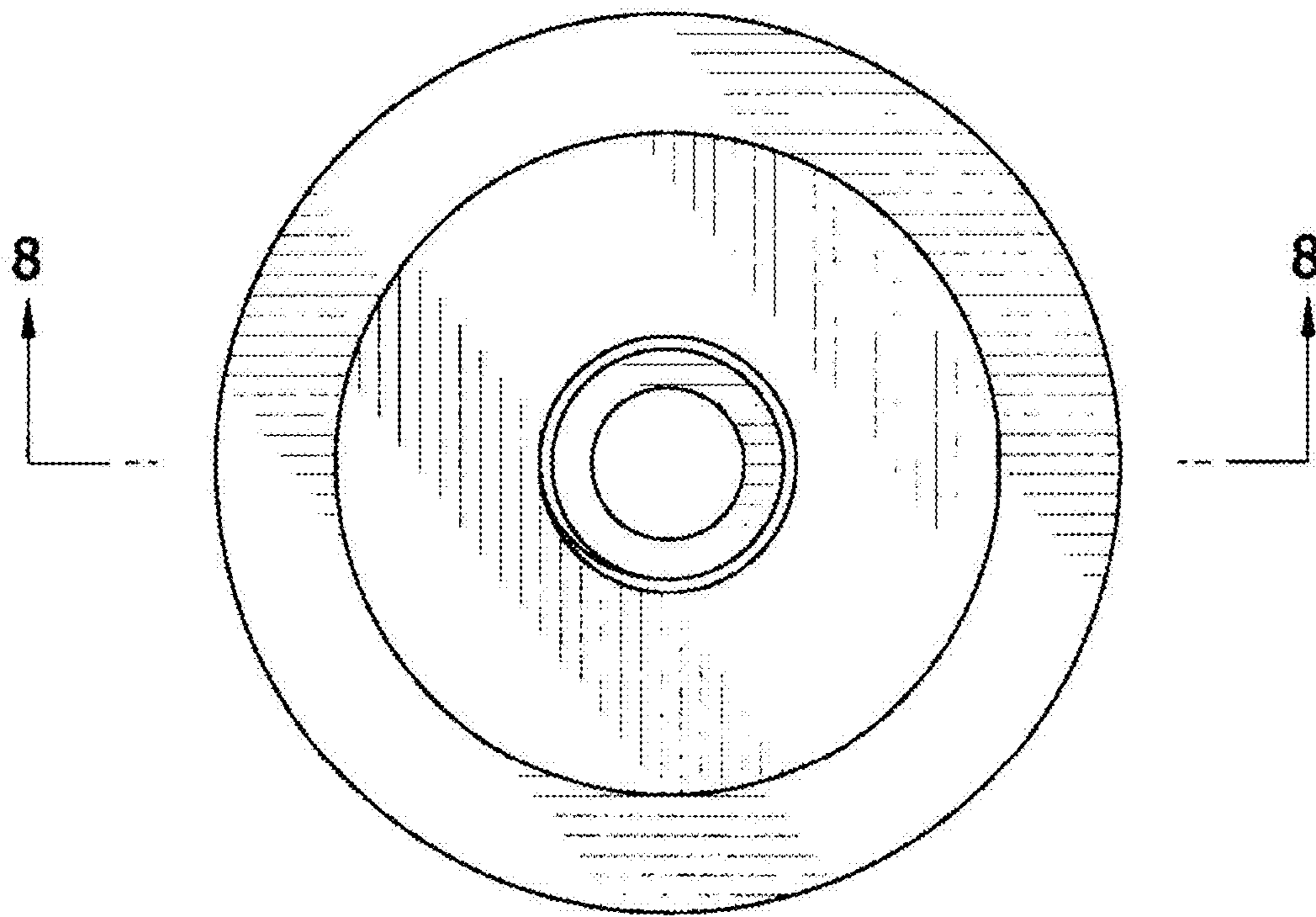


FIG. 7

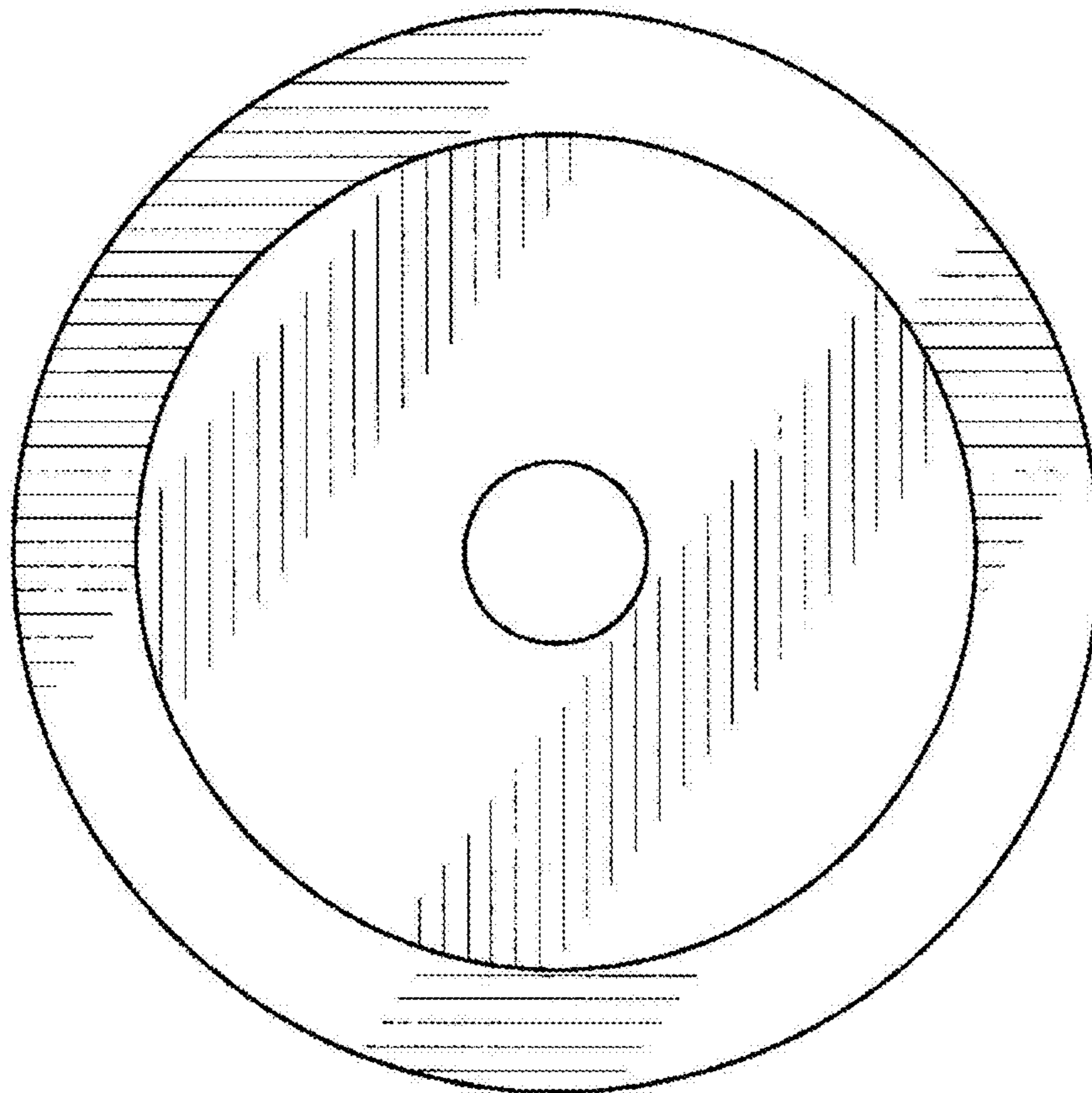


FIG. 8

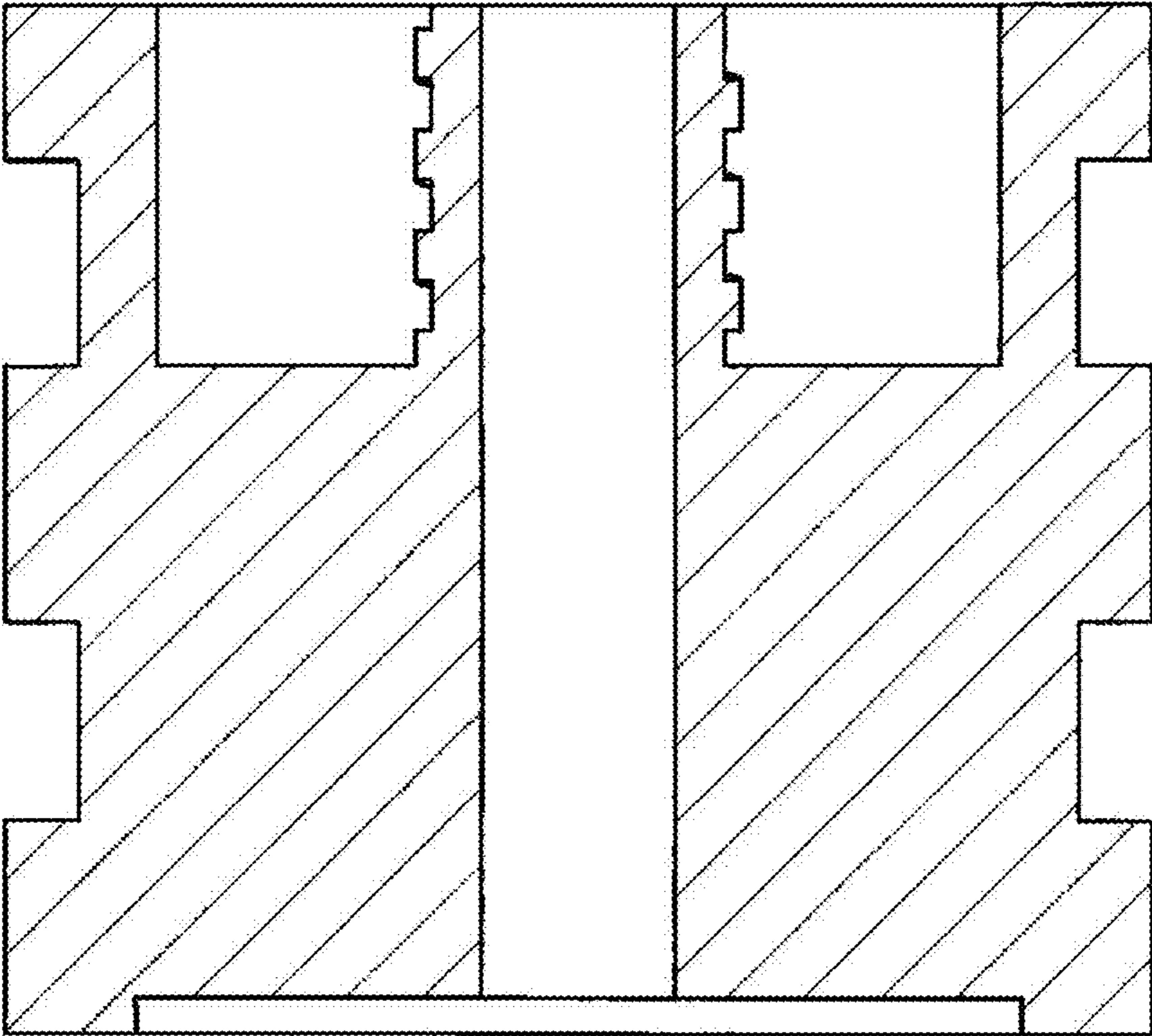


FIG. 9

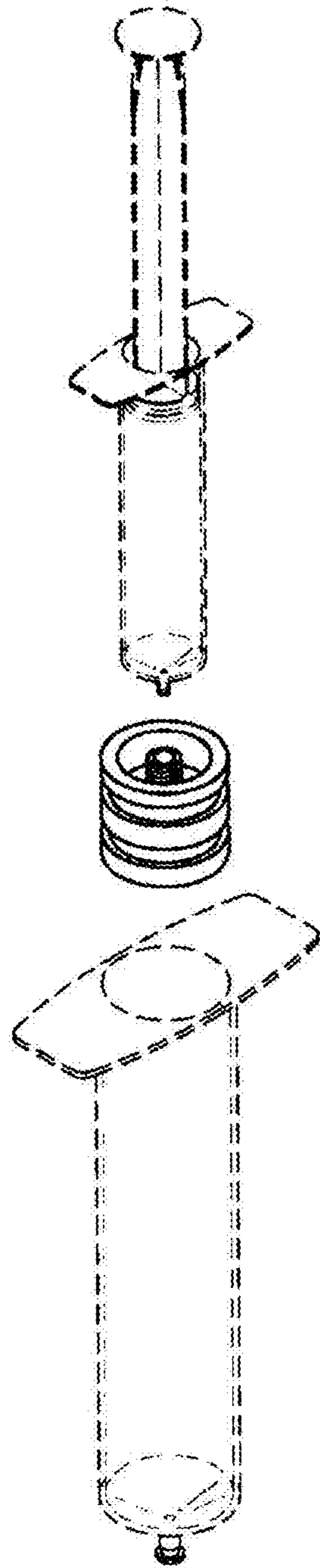


FIG. 10

