



US00D815277S

(12) **United States Design Patent**
Eury et al.

(10) **Patent No.:** **US D815,277 S**
(45) **Date of Patent:** **** Apr. 10, 2018**

(54) **ADAPTOR FOR POSITIVE AIRWAY PRESSURE TUBE**

(71) Applicant: **KONINKLIJKE PHILIPS N.V.**,
Eindhoven (NL)

(72) Inventors: **Matthew Paul Eury**, Latrobe, PA (US);
Jonathan Paul McCaslin, Renfrew, PA (US)

(73) Assignee: **KONINKLIJKE PHILIPS N.V.**,
Eindhoven (NL)

(**) Term: **15 Years**

(21) Appl. No.: **29/585,921**

(22) Filed: **Nov. 30, 2016**

(51) **LOC (11) Cl.** **24-02**

(52) **U.S. Cl.**
USPC **D24/129**

(58) **Field of Classification Search**
USPC D24/110.5, 110.6, 128-130, 172;
D7/397, 387, 398; D8/363, 396
CPC A61J 1/2048; A61J 1/2013; A61J 1/2055;
A61J 1/2089; A61J 1/2096; A61M
16/0816
See application file for complete search history.

(56) **References Cited**

U.S. PATENT DOCUMENTS

2,420,826 A * 5/1947 Irrgang H02G 3/065
16/108
3,300,163 A * 1/1967 Randolph H02G 3/065
174/665

4,000,875 A * 1/1977 Jemison H02G 3/0625
174/153 G
4,919,370 A * 4/1990 Martin F16L 5/00
174/153 G
5,676,339 A * 10/1997 Simon H02G 3/065
174/153 G
5,803,285 A * 9/1998 Hirota B65D 39/16
215/296
D543,620 S * 5/2007 Chu D24/110.1
D652,913 S * 1/2012 Selvarajan D24/110.1
9,739,952 B2 * 8/2017 Fletcher G02B 6/3825
2017/0202742 A1 * 7/2017 Cheng A61J 1/2082

* cited by examiner

Primary Examiner — Sheryl Lane

Assistant Examiner — Calvin E Vasant

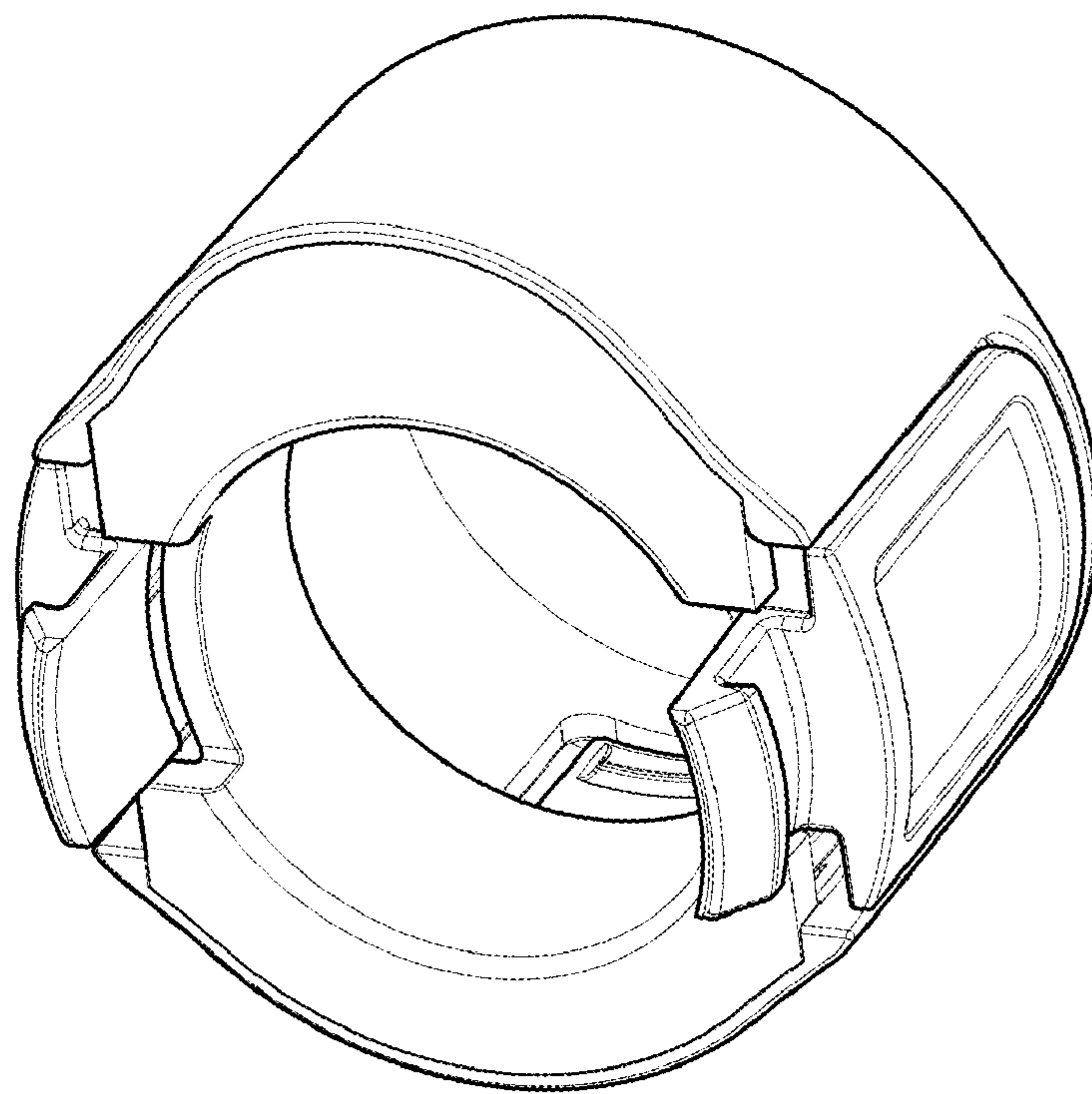
(57) **CLAIM**

The ornamental design for a adaptor for positive airway pressure tube, as shown.

DESCRIPTION

FIG. 1 is a perspective view showing my design;
FIG. 2 is a front elevational view thereof;
FIG. 3 is a rear elevational view thereof;
FIG. 4 is a right side elevational view thereof;
FIG. 5 is a left side elevational view thereof;
FIG. 6 is a top plan view thereof; and,
FIG. 7 is a bottom plan view thereof.

1 Claim, 4 Drawing Sheets



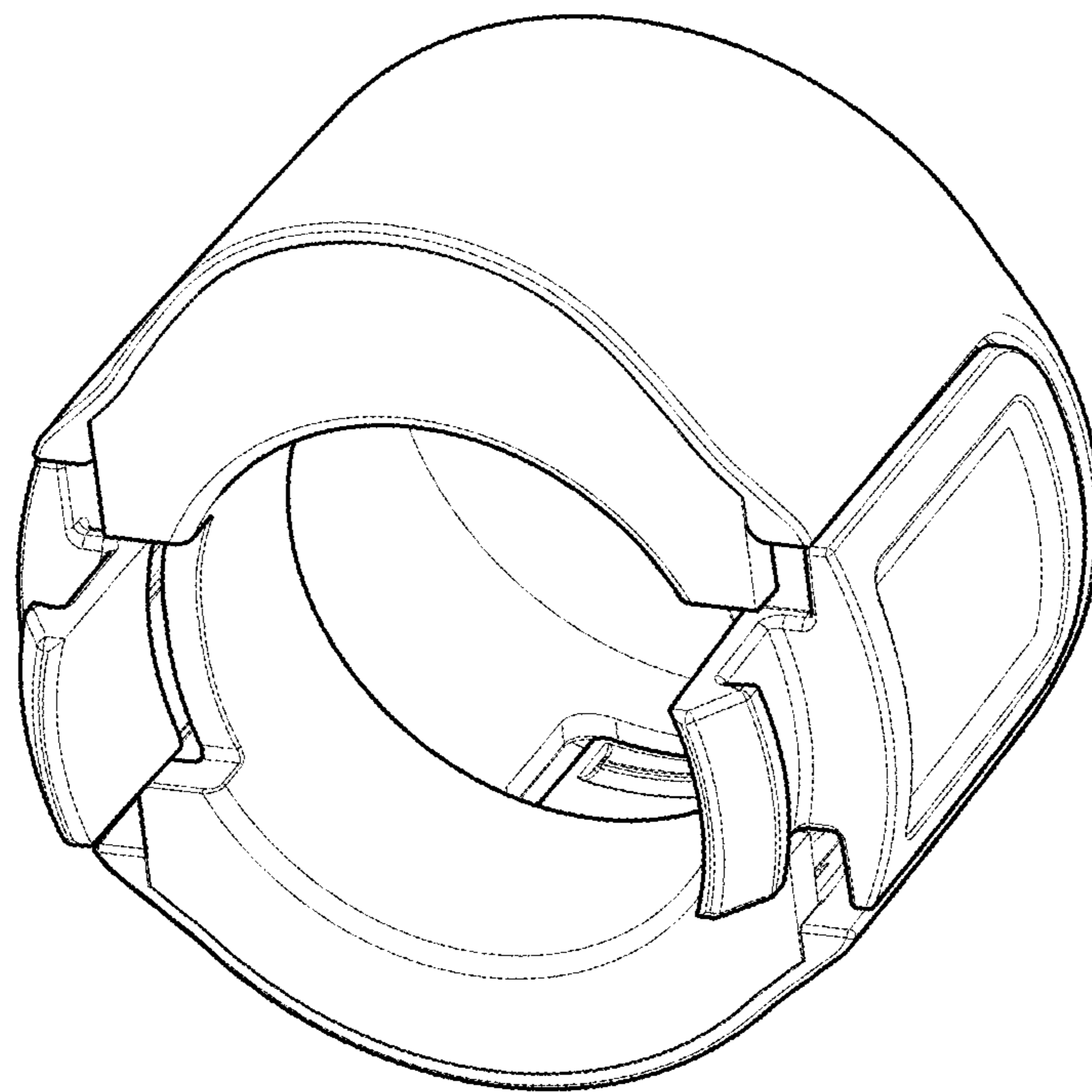


FIG. 1

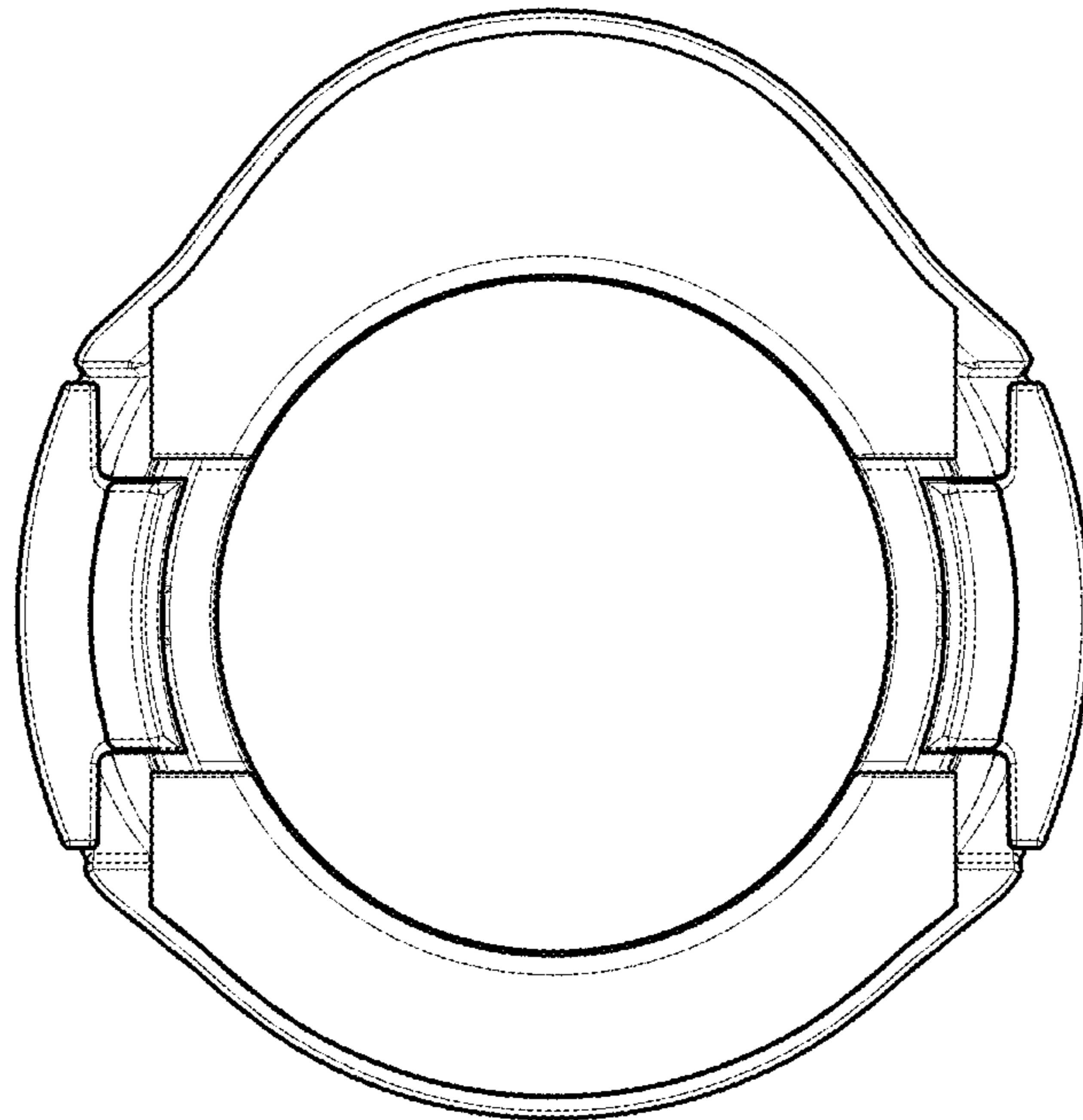


FIG. 2

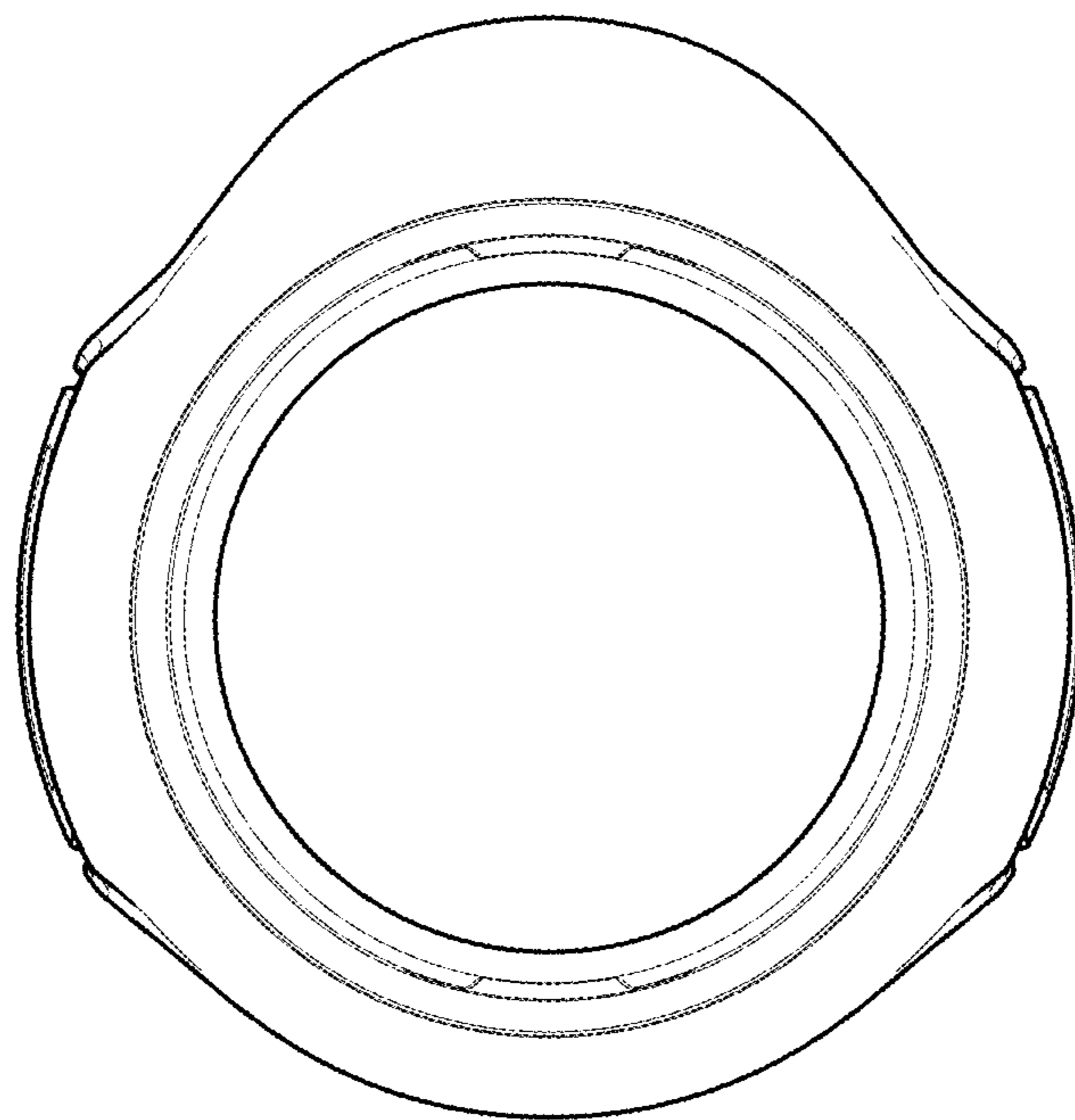


FIG. 3

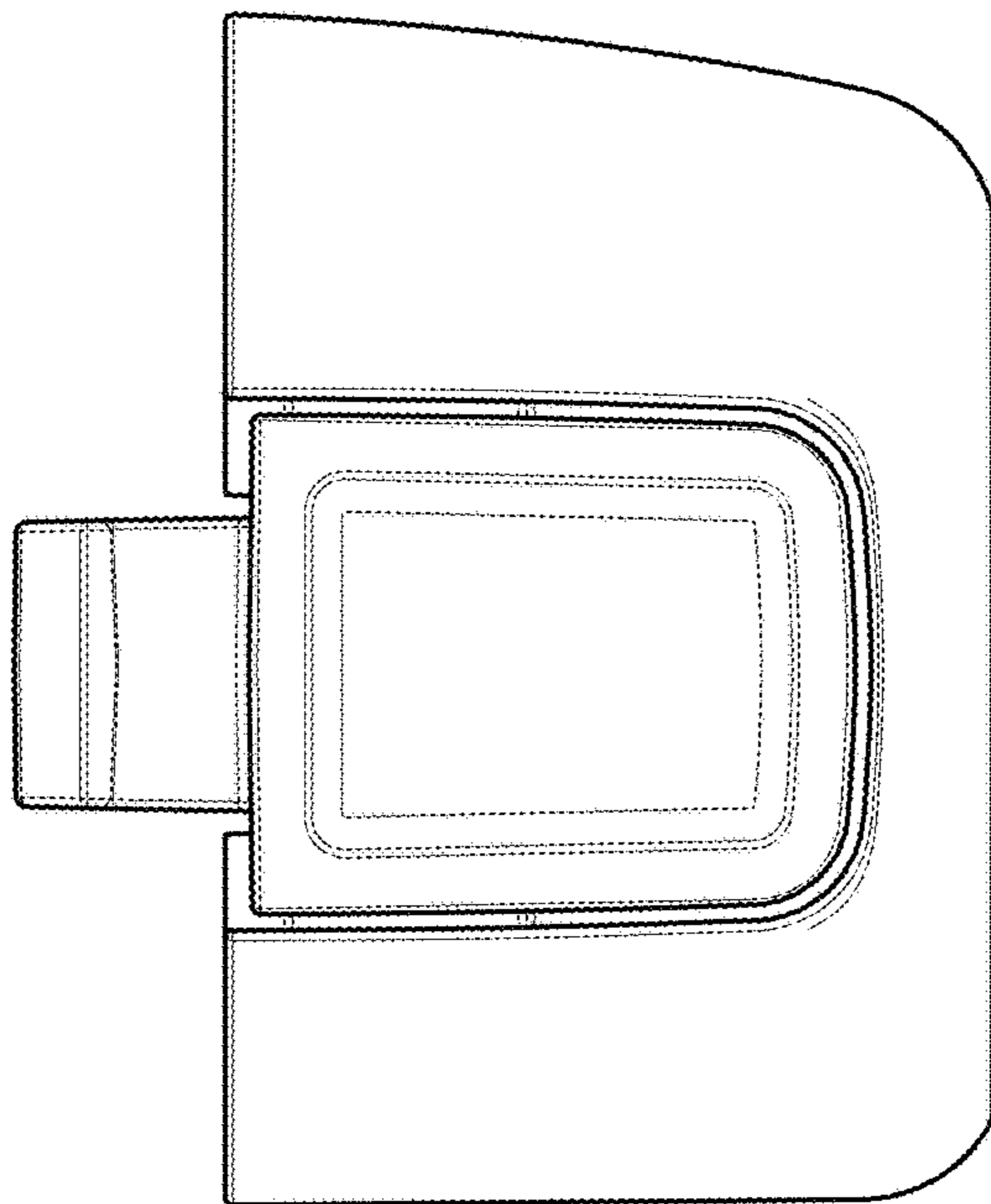


FIG. 4

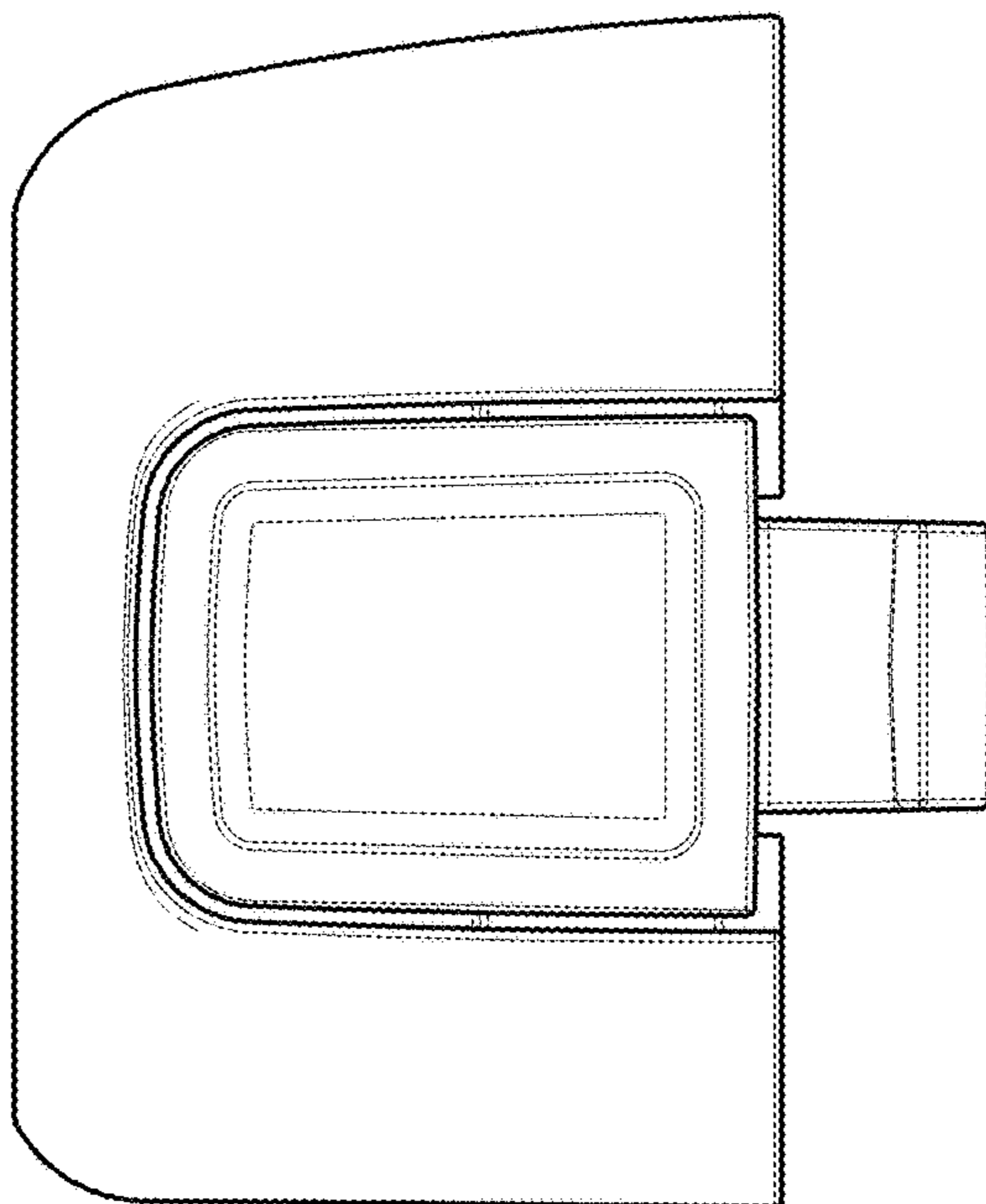


FIG. 5

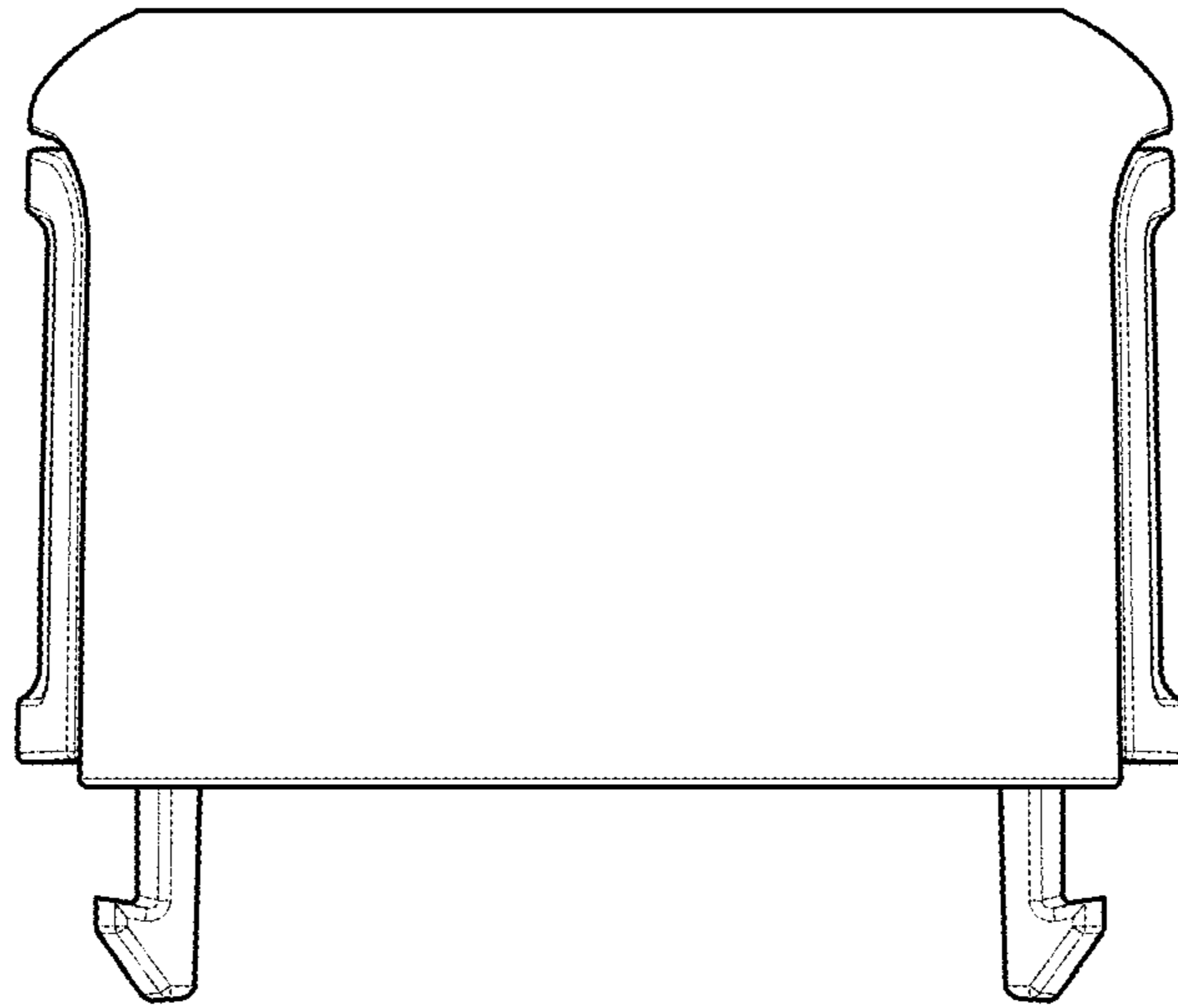


FIG. 6

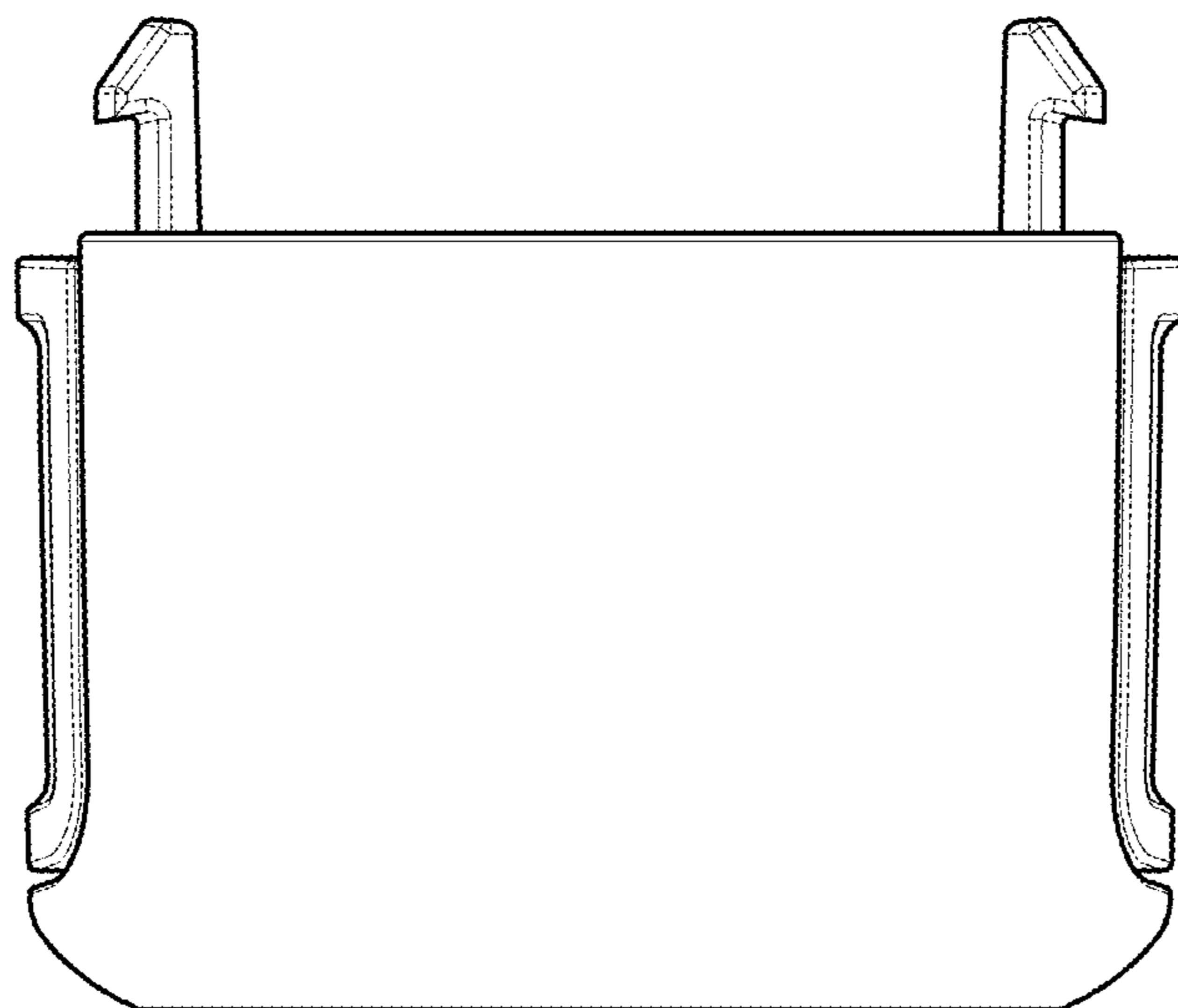


FIG. 7