



US00D815273S

(12) **United States Design Patent** (10) **Patent No.:** **US D815,273 S**  
**Persson** (45) **Date of Patent:** **\*\* Apr. 10, 2018**

(54) **AUTOMATIC SPEAKING VALVE**  
(71) Applicant: **Atos Medical AB**, Horby (SE)  
(72) Inventor: **Jan-Ove Persson**, Hoor (SE)  
(73) Assignee: **Atos Medical AB** (SE)

2002/0156527 A1\* 10/2002 Persson ..... A61F 2/20  
623/9  
2004/0089291 A1 5/2004 Persson  
2010/0288284 A1\* 11/2010 Persson ..... A61M 16/0468  
128/207.14  
2011/0220108 A1\* 9/2011 Persson ..... A61M 16/0468  
128/205.29

(\*\*) Term: **15 Years**

(Continued)

(21) Appl. No.: **29/526,909**

DE 202008012219 U1 11/2008  
WO WO-01/89618 A1 11/2001

(22) Filed: **May 13, 2015**

**FOREIGN PATENT DOCUMENTS**

(30) **Foreign Application Priority Data**

Apr. 13, 2015 (EM) ..... 002680249

(51) **LOC (11) Cl.** ..... **29-02**

(52) **U.S. Cl.**  
USPC ..... **D24/110.6**

(58) **Field of Classification Search**  
USPC ..... D24/107, 110, 110.6, 127, 129; D9/434,  
D9/435, 447, 523; D7/391, 392, 396.2,  
D7/510, 511, 513, 619.2, 900  
CPC ..... A61M 16/0468; A61M 16/1045; A61M  
16/047; A61M 16/0465; A61F 2/20; A61F  
2/203; A61F 2002/206

See application file for complete search history.

**OTHER PUBLICATIONS**

Hakeem, Arsheed Hussain and Anubha Garg. Rehabilitation after total laryngectomy. Otorhinolaryngology Clinics: An International Journal. Date published: Sep.-Dec. 2010. Accessed via Research Gate. <[https://www.researchgate.net/publication/215640391\\_Rehabilitation\\_after\\_total\\_laryngectomy\\_-\\_An\\_overview](https://www.researchgate.net/publication/215640391_Rehabilitation_after_total_laryngectomy_-_An_overview)>.\*

(Continued)

*Primary Examiner* — Barbara Fox  
*Assistant Examiner* — Lilyana Bekic  
(74) *Attorney, Agent, or Firm* — Fishman Stewart PLLC

(56) **References Cited**

**U.S. PATENT DOCUMENTS**

3,952,335 A 4/1976 Sorce et al.  
4,040,428 A 8/1977 Clifford  
4,582,058 A 4/1986 Depel et al.  
5,059,208 A 10/1991 Coe et al.  
D380,679 S \* 7/1997 Schreiber ..... D9/447  
5,765,560 A 6/1998 Verkerke et al.  
6,193,751 B1 \* 2/2001 Singer ..... A61F 2/20  
128/207.16  
D666,490 S \* 9/2012 Leon ..... D9/447  
D691,414 S \* 10/2013 Trombly ..... D7/392.1  
D760,902 S \* 7/2016 Persson ..... D24/162

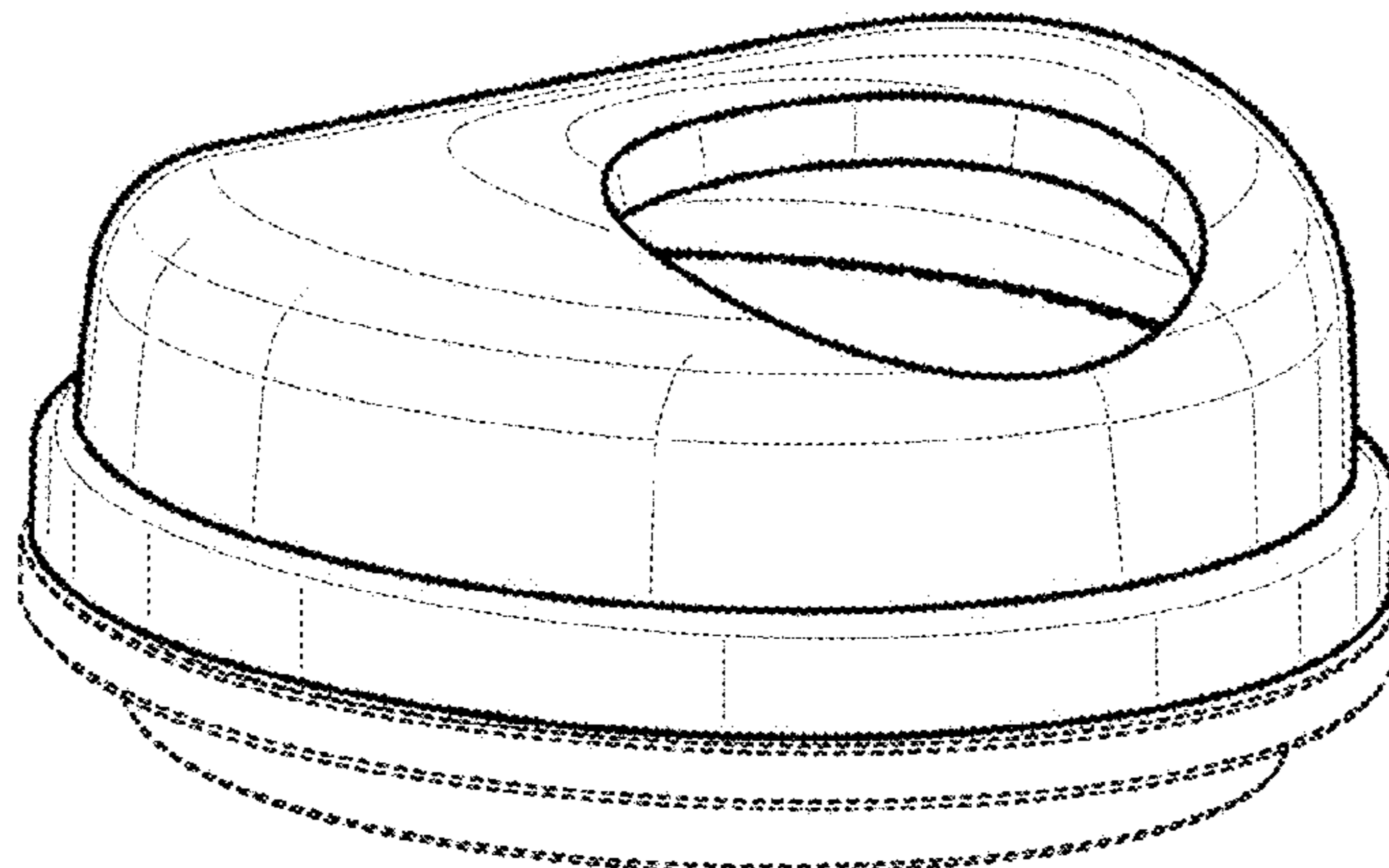
(57) **CLAIM**

The ornamental design for an automatic speaking valve, as shown and described.

**DESCRIPTION**

FIG. 1 is a right front perspective view of an automatic speaking valve showing my new design;  
FIG. 2 is a left front perspective view thereof;  
FIG. 3 is a rear perspective view thereof;  
FIG. 4 is a front view thereof;  
FIG. 5 is a rear view thereof;  
FIG. 6 is a top view thereof; and,  
FIG. 7 is a bottom view thereof.

**1 Claim, 3 Drawing Sheets**



(56)

**References Cited**

U.S. PATENT DOCUMENTS

2012/0090621 A1\* 4/2012 van der Houwen .....  
A61M 16/0468  
128/207.16  
2013/0192602 A1\* 8/2013 Leibitzki ..... A61M 16/0468  
128/205.27  
2014/0150779 A1\* 6/2014 Persson ..... A61M 16/1055  
128/201.13  
2014/0190479 A1\* 7/2014 Sethiya ..... A61M 16/0468  
128/202.22  
2015/0083119 A1\* 3/2015 Persson ..... A61M 16/0468  
128/201.13  
2015/0238718 A1\* 8/2015 Schnell ..... A61F 2/20  
128/202.27  
2016/0256649 A1\* 9/2016 Hesselmar ..... A61M 16/0468

OTHER PUBLICATIONS

Provox FreeHands FlexiVoice. Atos Medical. Date accessed: Mar. 31, 2017. <<http://www.atosmedical.us/product/provox-freehands-flexivoice/>>.\*

\* cited by examiner

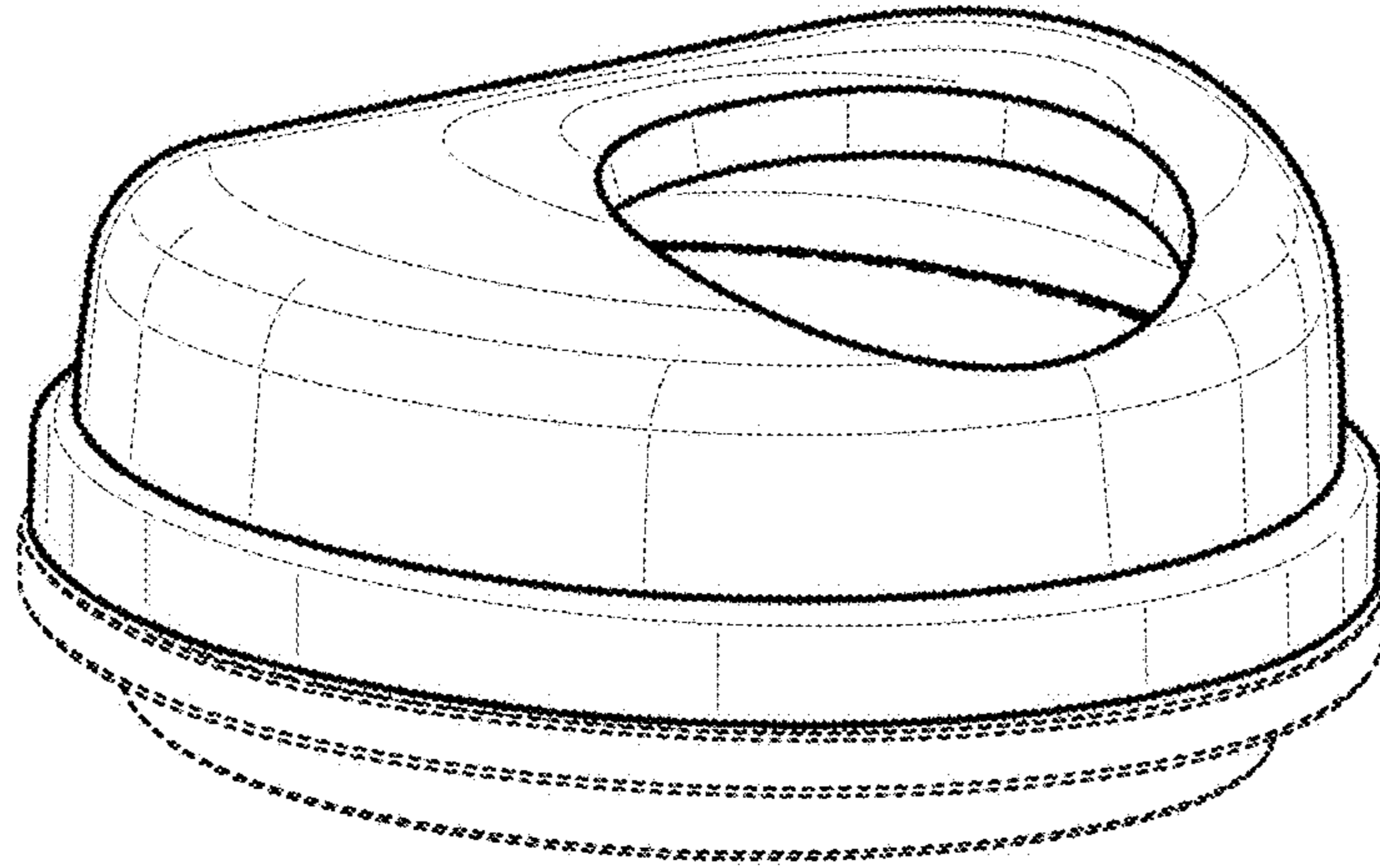


FIG. 1

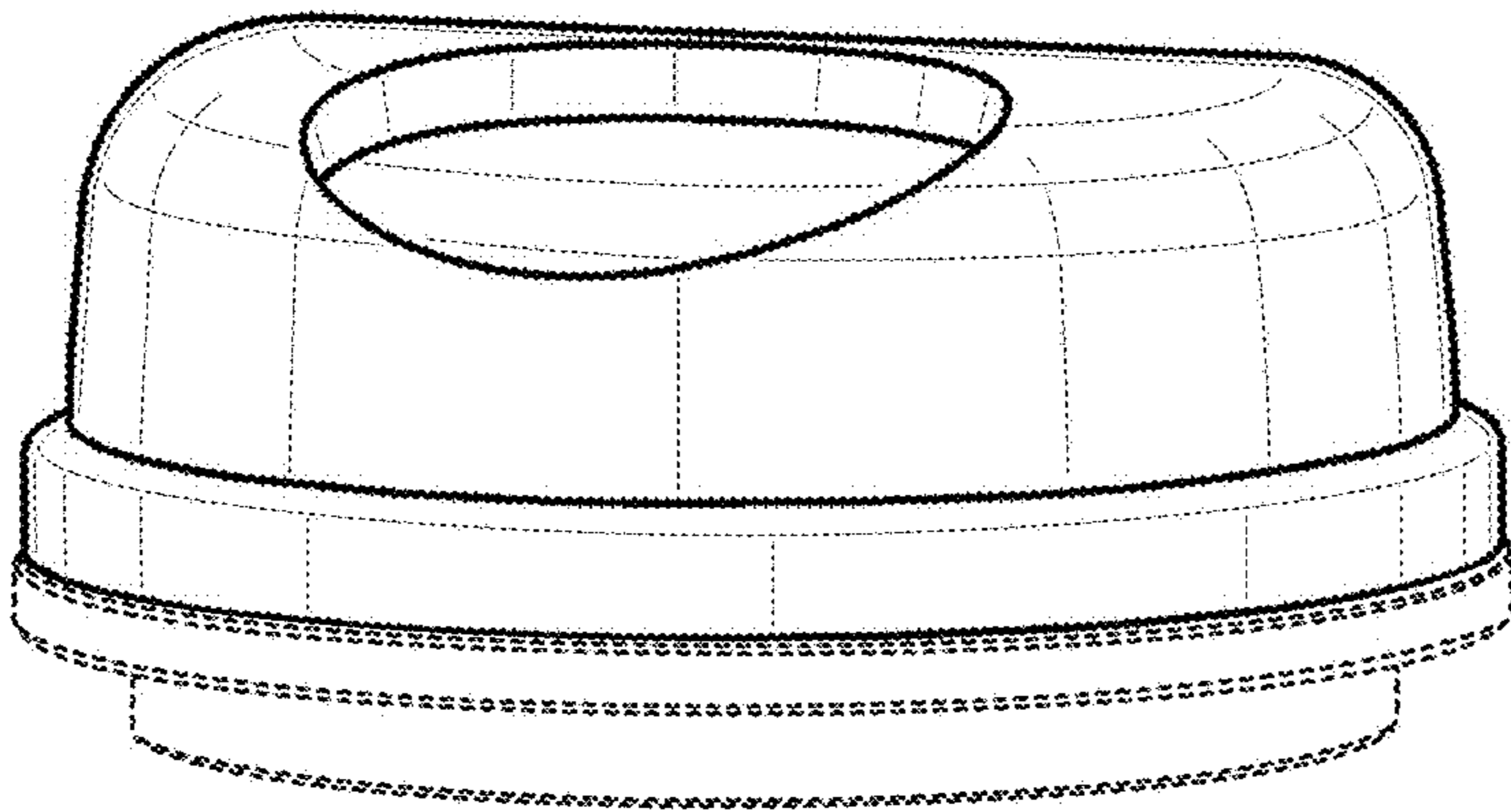


FIG. 2

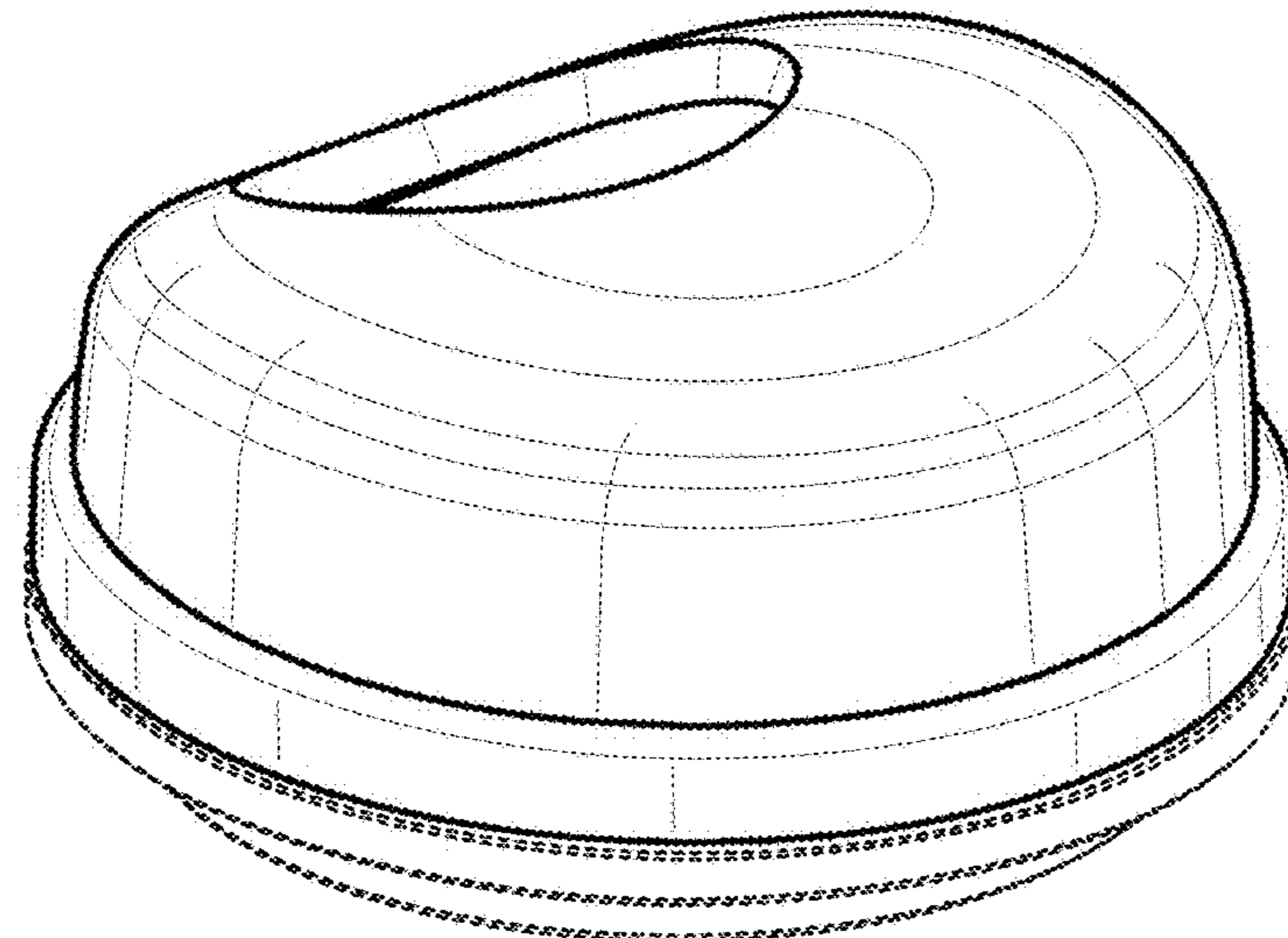


FIG. 3

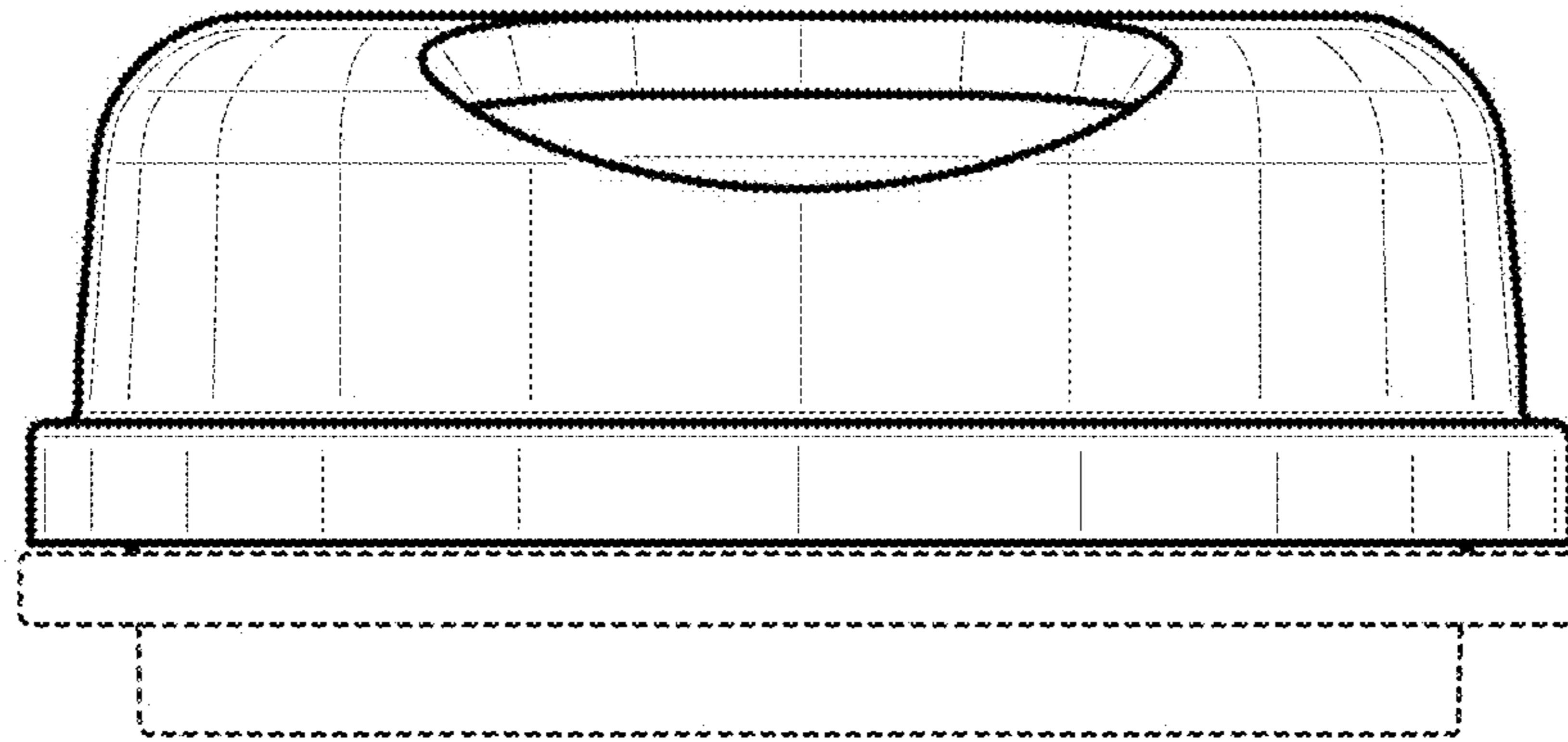


FIG. 4

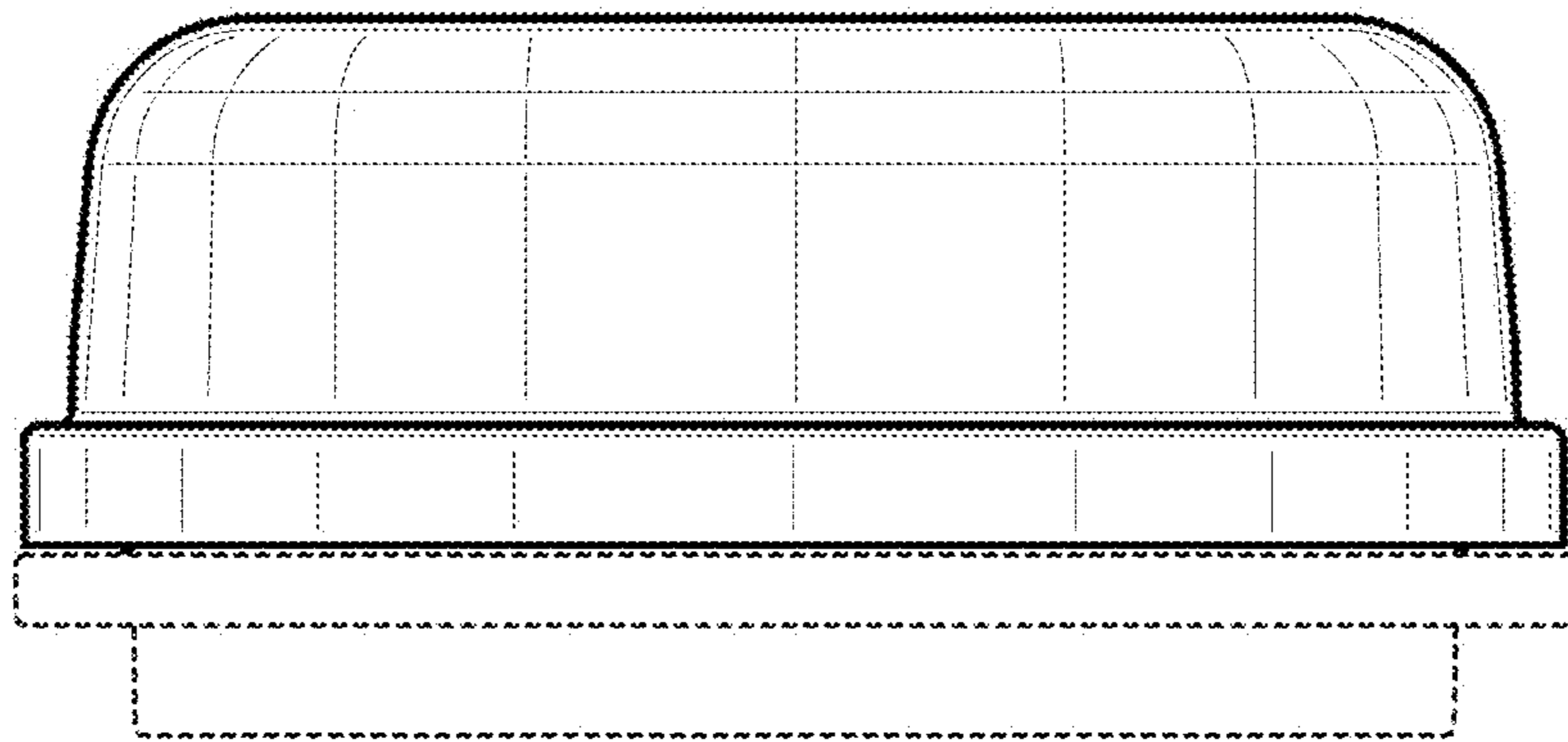


FIG. 5

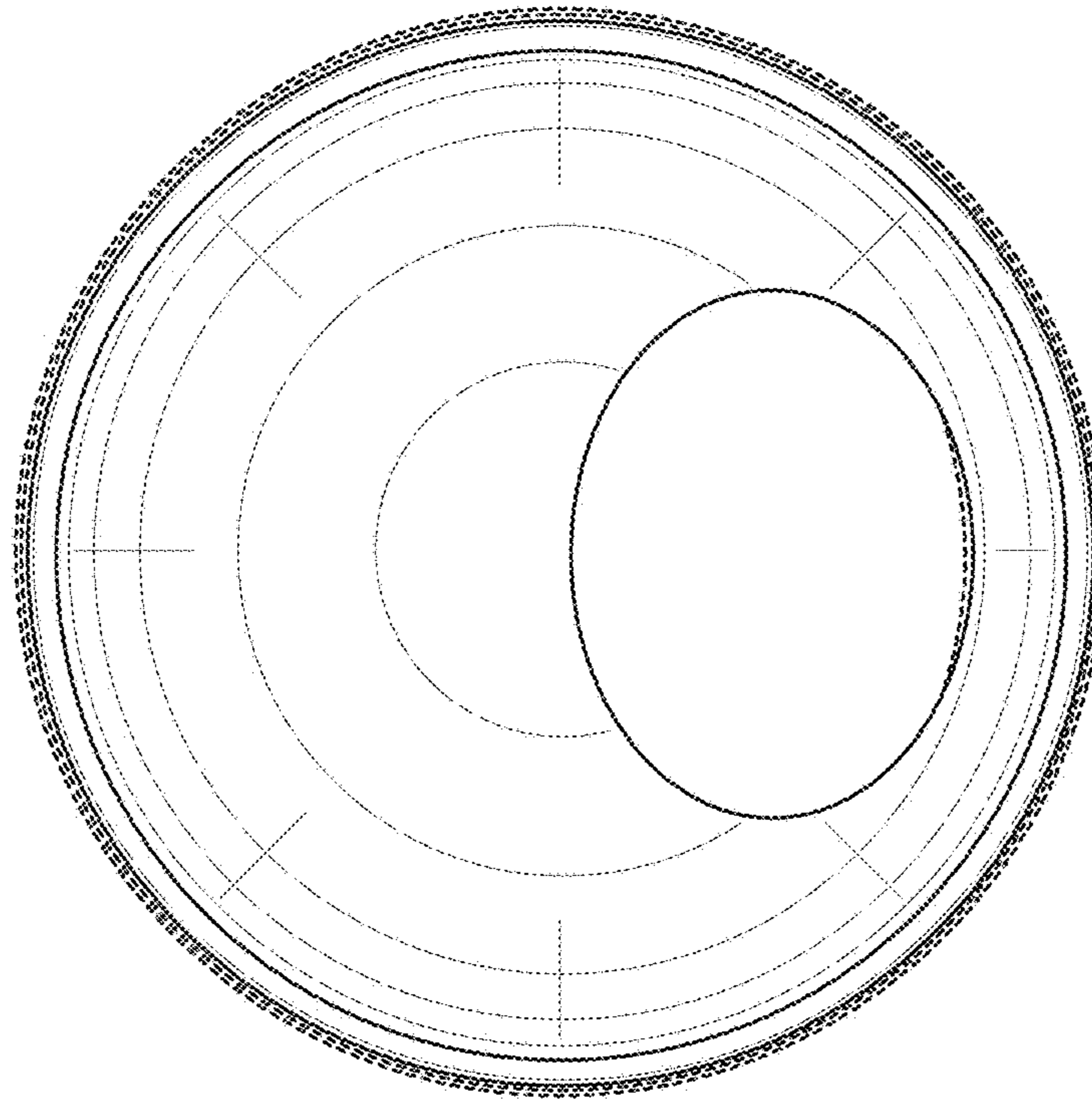


FIG. 6

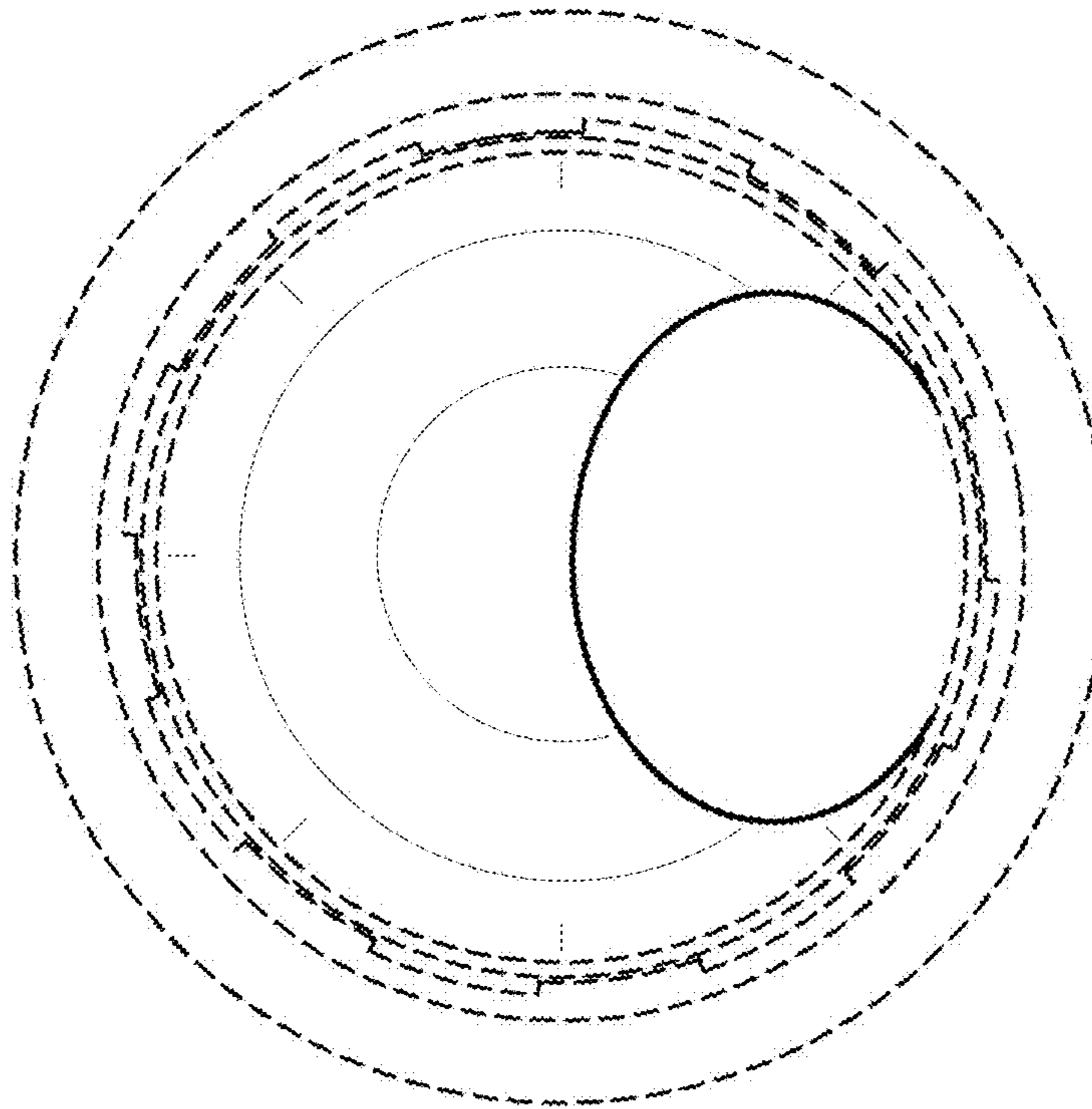


FIG. 7