



US00D815269S

(12) **United States Design Patent** (10) **Patent No.:** **US D815,269 S**  
**Farhan et al.** (45) **Date of Patent:** **\*\* Apr. 10, 2018**

(54) **PERSONAL AIR PURIFICATION UNIT**  
(71) Applicant: **HGI Industries, Inc.**, Boynton Beach, FL (US)  
(72) Inventors: **Muhammad Farhan**, Wyong (AU); **Adrian Philip Lake**, Ourimbah (AU); **Rory Le Maistre Wilson**, Mordale (AU)  
(73) Assignee: **HGI Industries, Inc.**, Boynton Beach, FL (US)

D406,885 S *	3/1999	Jane'	.....	D23/356
D621,493 S *	8/2010	Choi	.....	D23/355
D634,828 S *	3/2011	Nakamura	.....	D23/355
D667,098 S *	9/2012	Choi	.....	D23/364
D672,856 S *	12/2012	Choi	.....	D23/364
D683,439 S *	5/2013	Choi	.....	D23/364
D683,666 S *	6/2013	Hemingway	.....	D12/126
D684,247 S *	6/2013	Chouji	.....	D23/364
D723,149 S *	2/2015	Huang	.....	D23/359
D748,235 S *	1/2016	Yamashita	.....	D23/364
D751,184 S *	3/2016	Farone	.....	D23/364
D773,027 S *	11/2016	Hu	.....	D23/365
2015/0308732 A1 *	10/2015	Lee	.....	F25D 21/14 62/291

(\*\*) Term: **15 Years**

\* cited by examiner

(21) Appl. No.: **29/548,080**

*Primary Examiner* — Lakiya G Rogers

(22) Filed: **Dec. 10, 2015**

*Assistant Examiner* — John A Voytek

(51) **LOC (11) Cl.** ..... **23-04**

(74) *Attorney, Agent, or Firm* — Jon Gibbons; Fleit Gibbons Gutman Bongini & Bianco P.L.

(52) **U.S. Cl.**  
USPC ..... **D23/364**

(57) **CLAIM**

(58) **Field of Classification Search**  
USPC ..... D23/360, 356, 359, 362, 365, 370, 355, D23/364, 336, 332, 333, 335, 352, 366  
CPC ..... F24F 6/00; F24F 2006/008; F24F 6/02; F24F 11/0015; F24F 11/0017; F24F 2203/00; F24F 2203/10; F24F 2203/1024  
See application file for complete search history.

The ornamental design for a personal air purification unit, as shown and described.

**DESCRIPTION**

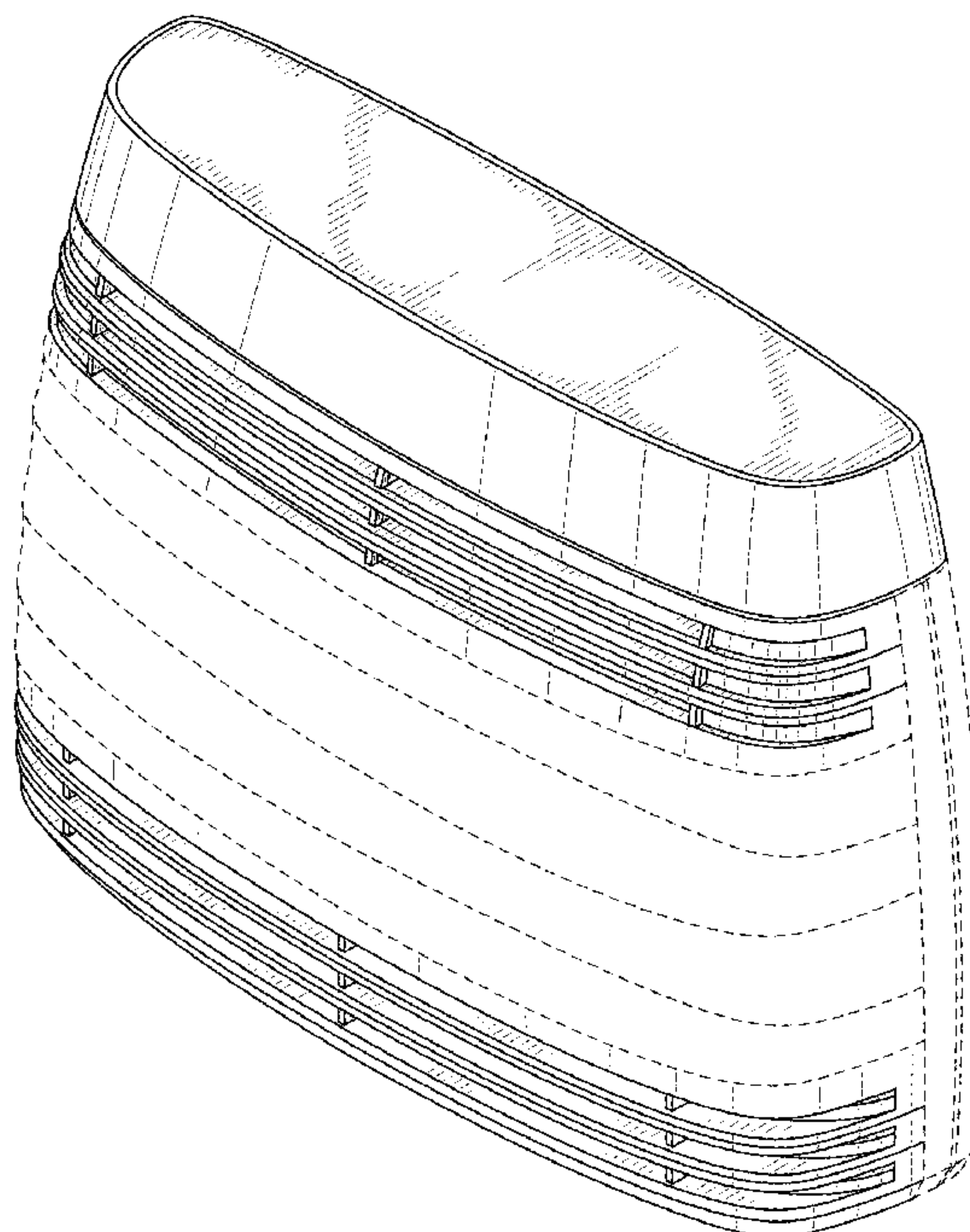
(56) **References Cited**

FIG. 1 is perspective view of the personal air purification unit;  
FIG. 2 is a front elevational view thereof;  
FIG. 3 is a rear elevational view thereof;  
FIG. 4 is a left side elevational view thereof;  
FIG. 5 is a right side elevational view thereof;  
FIG. 6 is a top plan view thereof; and,  
FIG. 7 is a bottom plan view thereof.  
Broken lines shown in FIGS. 1-7 form no part of the claimed design.

U.S. PATENT DOCUMENTS

D305,929 S *	2/1990	Ikeda	.....	D23/364
D371,192 S *	6/1996	Putro	.....	D23/364
D392,731 S *	3/1998	Hulsebus	.....	D23/355
D398,045 S *	9/1998	Jane	.....	D23/336
D402,022 S *	12/1998	Termeer	.....	D23/355
D402,745 S *	12/1998	Termeer	.....	D23/355

**1 Claim, 5 Drawing Sheets**



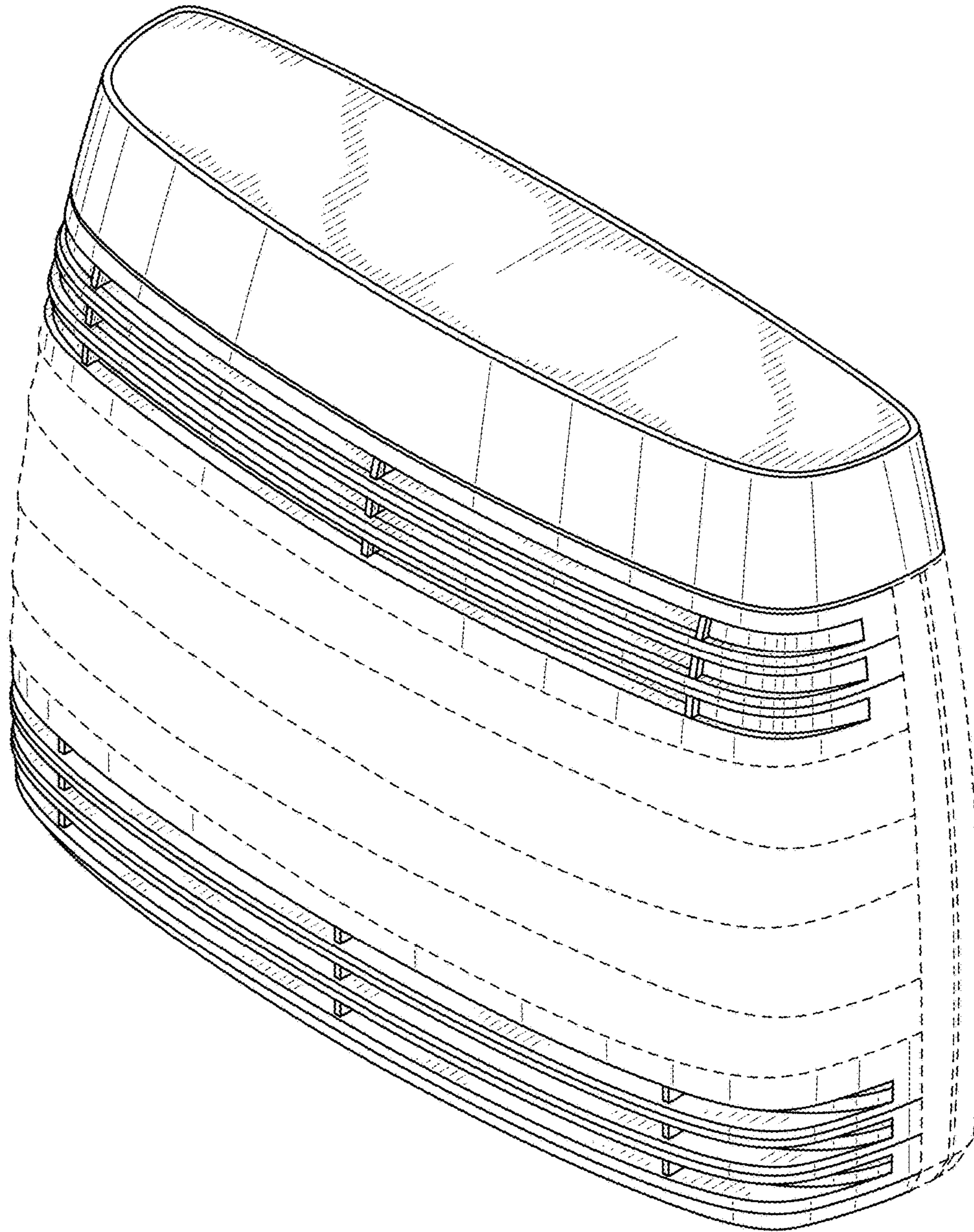


FIG. 1



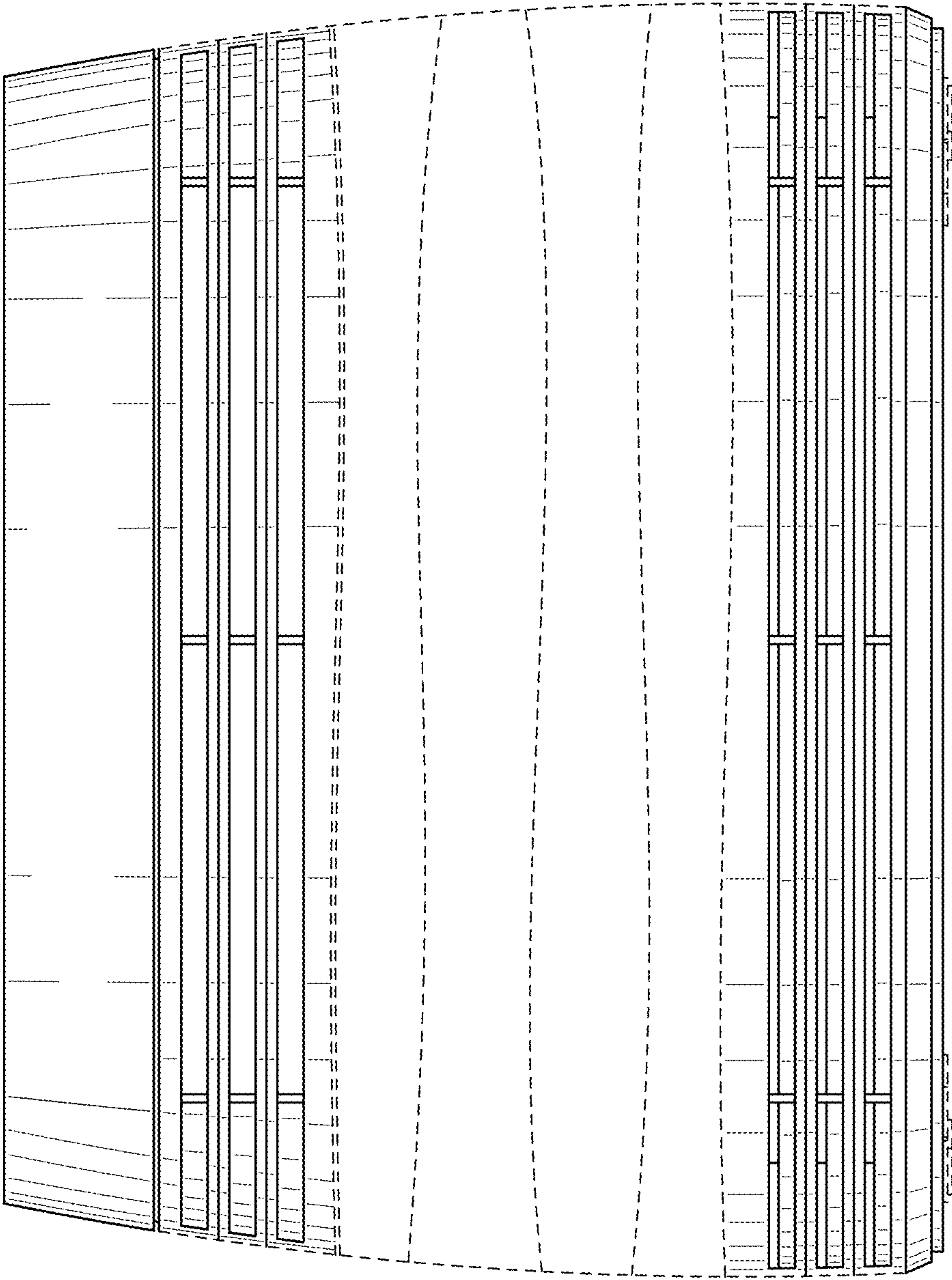


FIG. 2

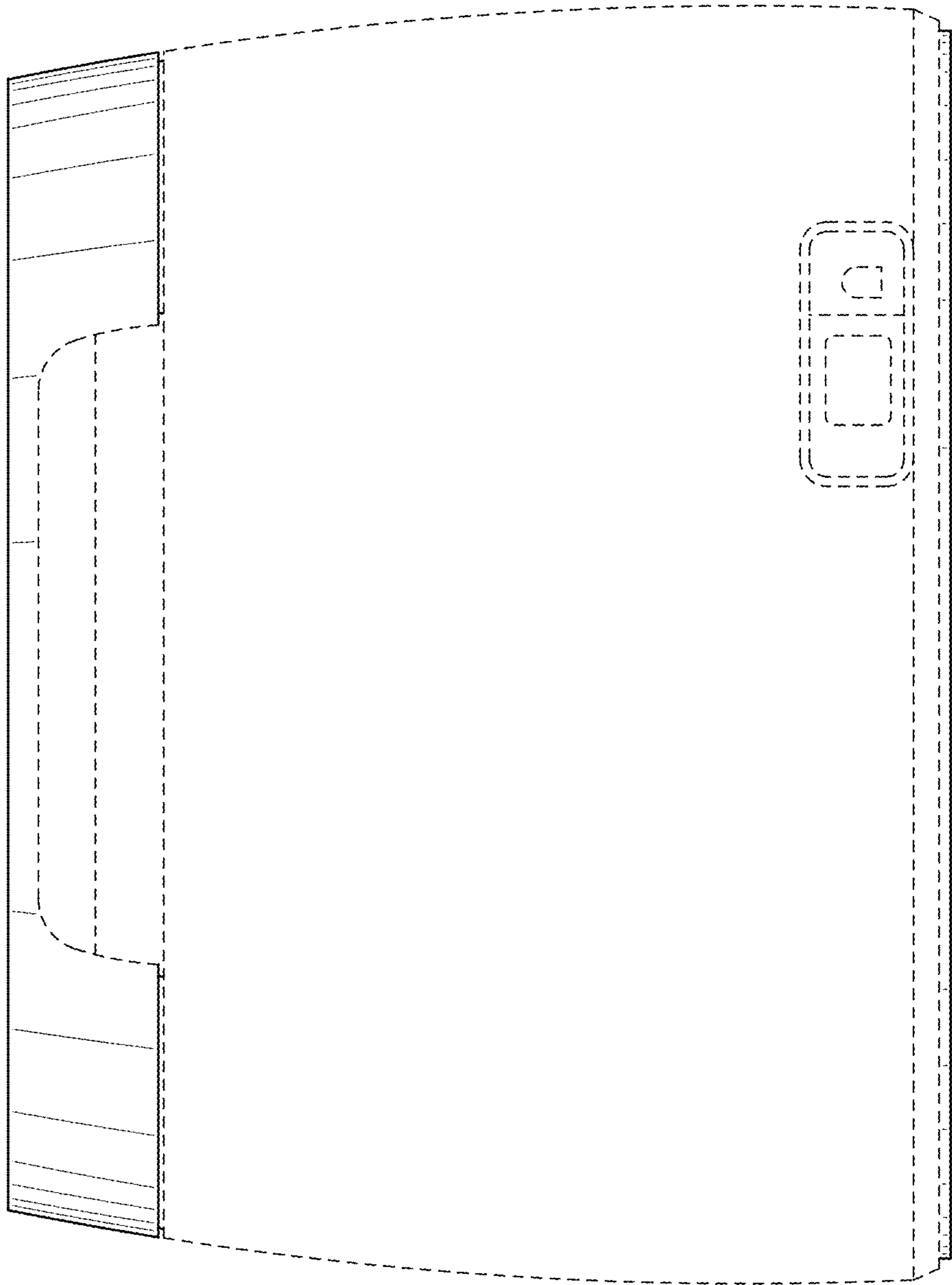


FIG. 3

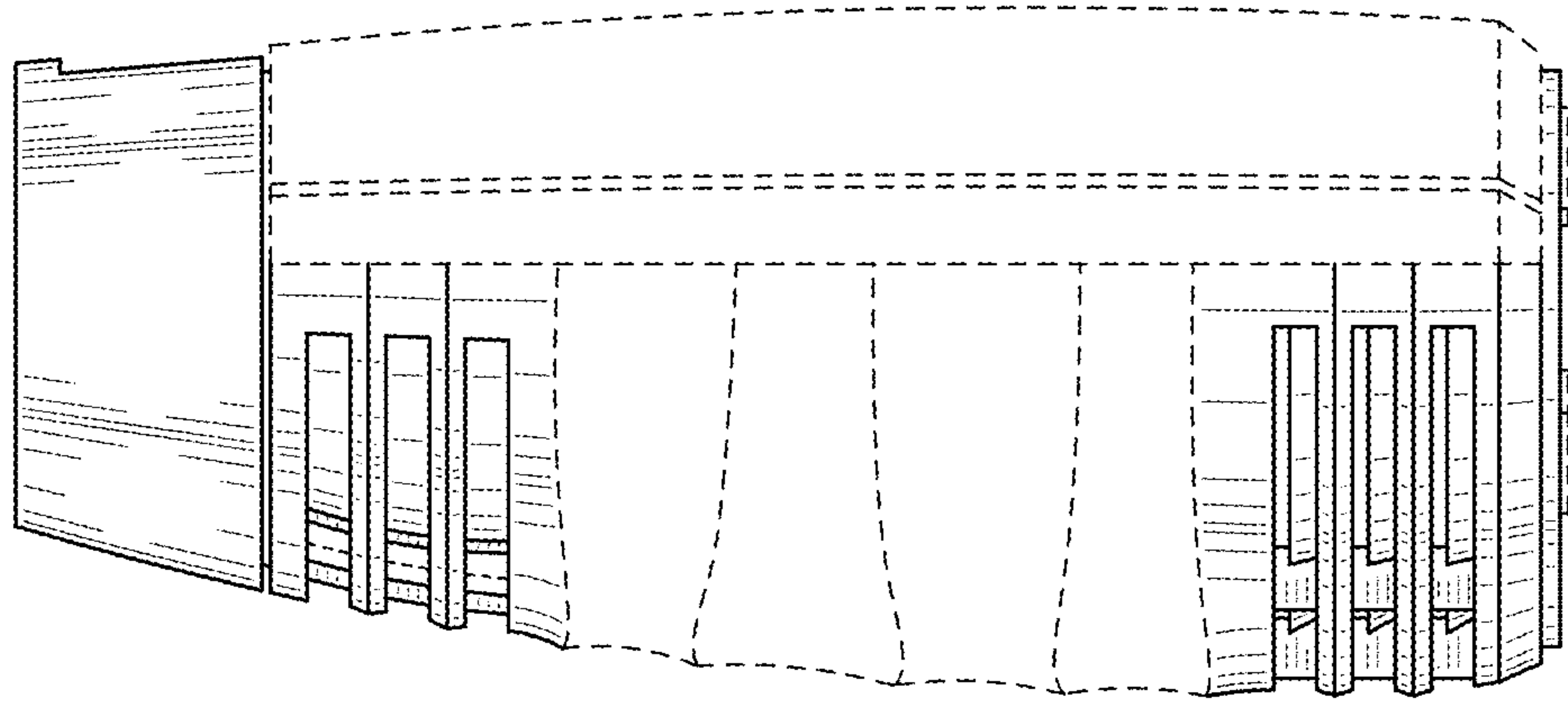


FIG. 5

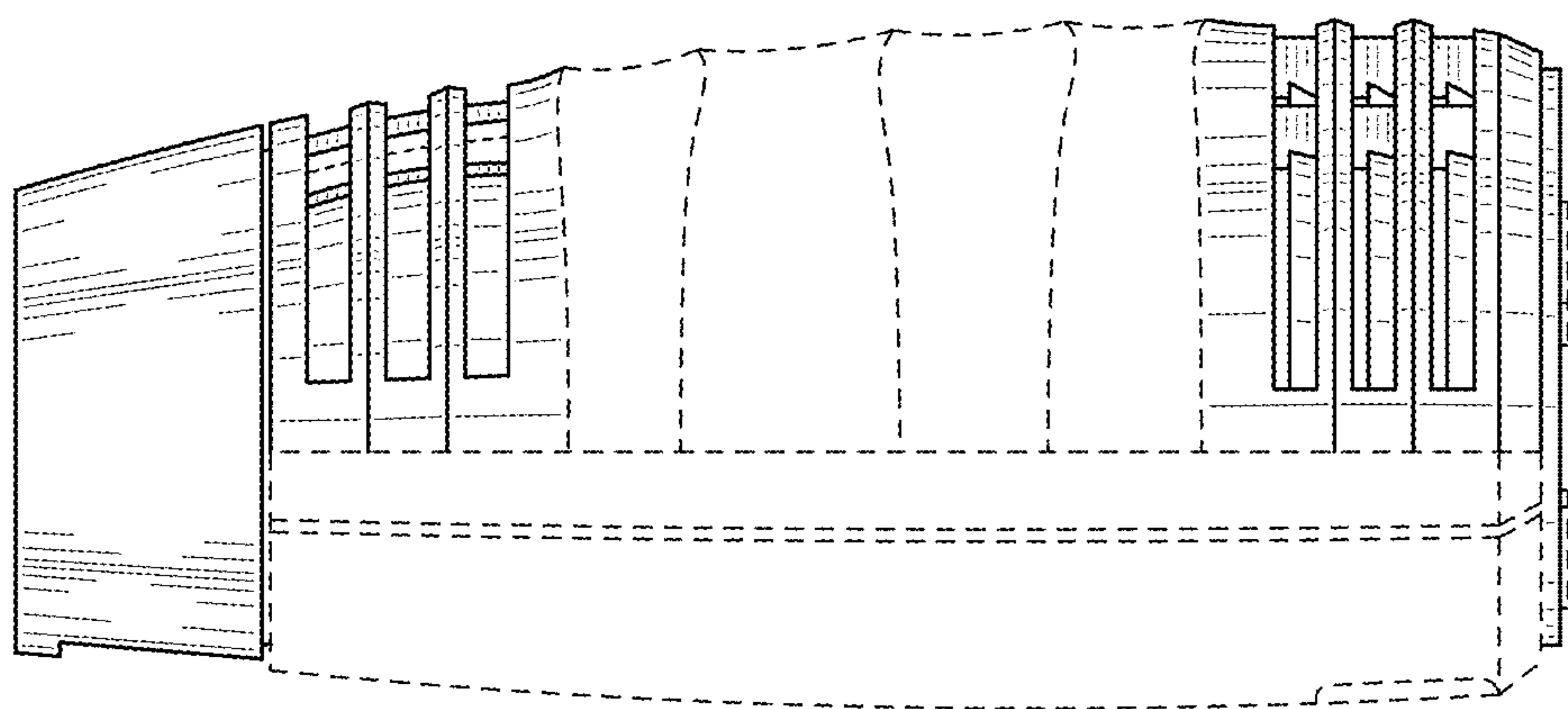


FIG. 4

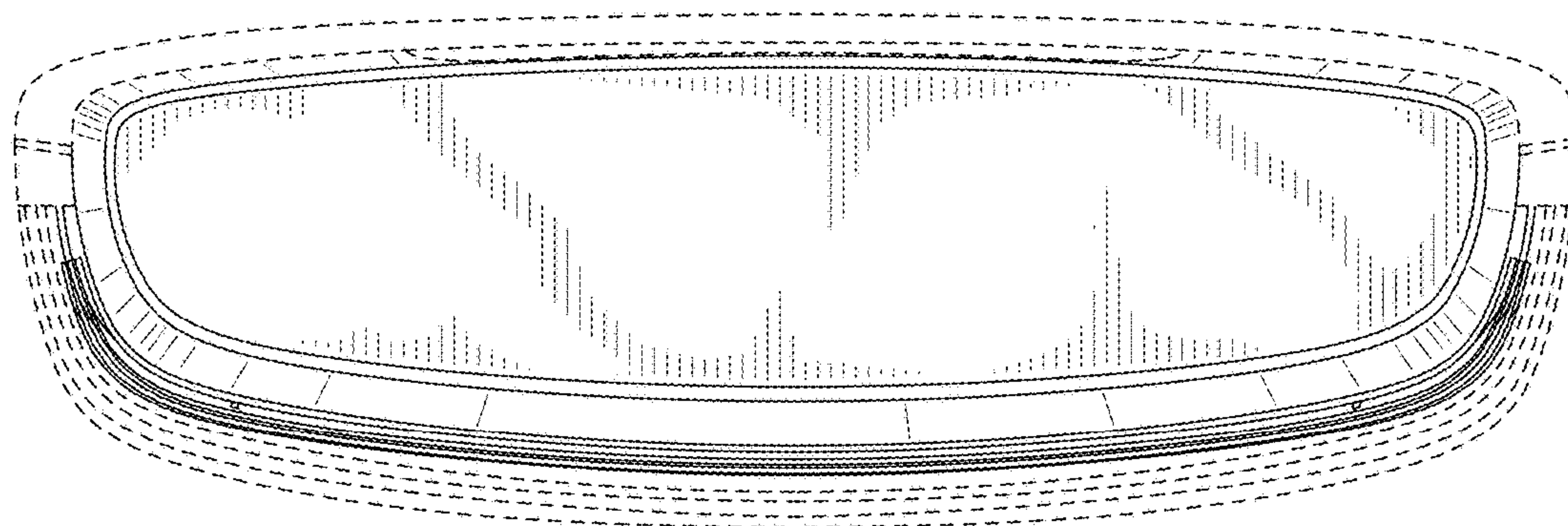


FIG. 6

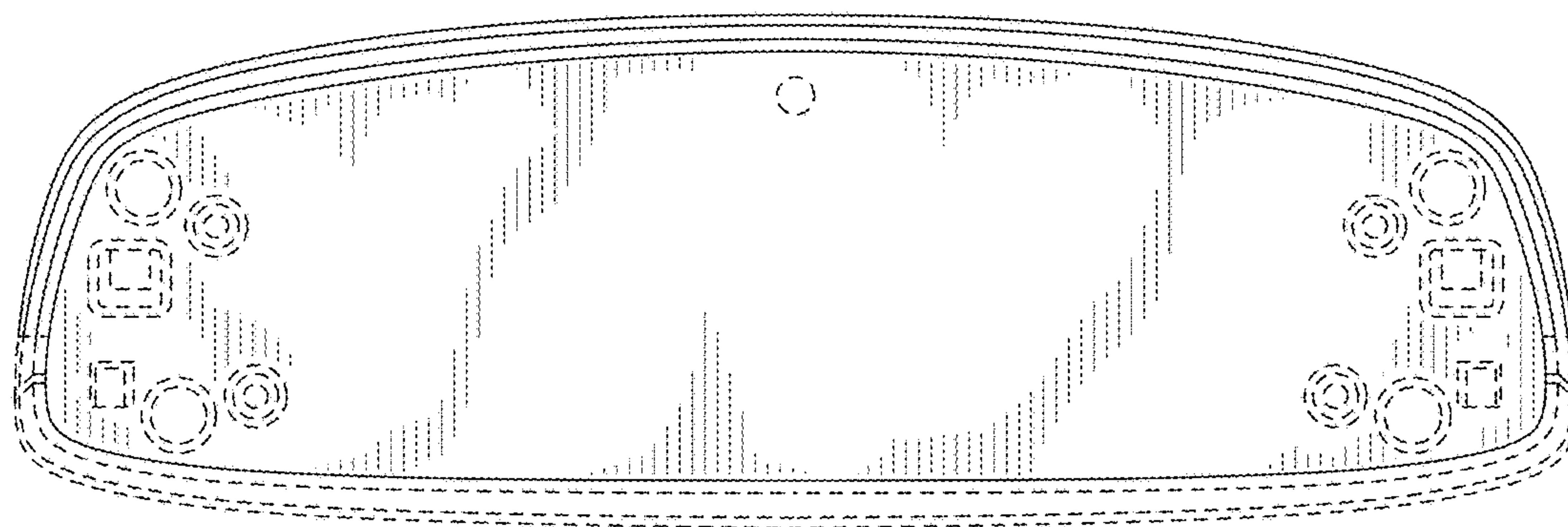


FIG. 7