



US00D815267S

(12) **United States Design Patent**  
**Stanton**

(10) **Patent No.:** **US D815,267 S**

(45) **Date of Patent:** **\*\* Apr. 10, 2018**

(54) **AIR CONDITIONER ENCLOSURE**

(71) Applicant: **Robert J. Stanton**, Weatherford, TX  
(US)

(72) Inventor: **Robert J. Stanton**, Weatherford, TX  
(US)

(\*\*) Term: **15 Years**

(21) Appl. No.: **29/585,594**

(22) Filed: **Nov. 28, 2016**

(51) **LOC (11) Cl.** ..... **23-04**

(52) **U.S. Cl.**  
USPC ..... **D23/354**

(58) **Field of Classification Search**  
USPC ..... D23/333, 335, 341, 342, 351, 353, 354,  
D23/355, 356, 359, 364, 365, 370, 385,  
D23/386, 388, 393

CPC .... F24F 1/00; F24F 1/0007; F24F 1/02; F24F  
1/08; F24F 1/42; F24F 1/56; F24F 1/60;  
F24F 3/044; F24F 3/048; F24F 3/16;  
F24F 7/00; F24F 7/04; F24F 12/001;  
F24F 12/006

See application file for complete search history.

(56) **References Cited**

**U.S. PATENT DOCUMENTS**

- 3,629,875 A \* 12/1971 Dow ..... A47K 3/325  
D23/283
- D277,228 S \* 1/1985 Blesch ..... D23/341
- 4,819,582 A \* 4/1989 Lichvar ..... A01K 1/03  
119/474
- 7,836,653 B1 \* 11/2010 Herrington ..... F24F 1/58  
256/25
- D653,303 S \* 1/2012 Okawa ..... D23/209
- D683,836 S \* 6/2013 Suzuki ..... D23/351
- 8,510,998 B1 8/2013 Martinez
- 8,596,015 B2 12/2013 Coon

- D704,812 S \* 5/2014 Benjamin, Sr. .... D23/354
- D710,000 S \* 7/2014 Moreno ..... D23/386
- D736,363 S \* 8/2015 Pereira ..... D23/354
- 9,187,904 B2 11/2015 Stanton
- D752,724 S \* 3/2016 Coats ..... D23/283
- D789,513 S \* 6/2017 Nilssen ..... D23/415
- 2013/0269281 A1 \* 10/2013 Stanton ..... E05B 63/18  
52/653.2

\* cited by examiner

*Primary Examiner* — George D. Kirschbaum

*Assistant Examiner* — Natasha Vujcic

(74) *Attorney, Agent, or Firm* — Whitaker Chalk Swindle  
& Schwartz PLLC; Charles Gunter

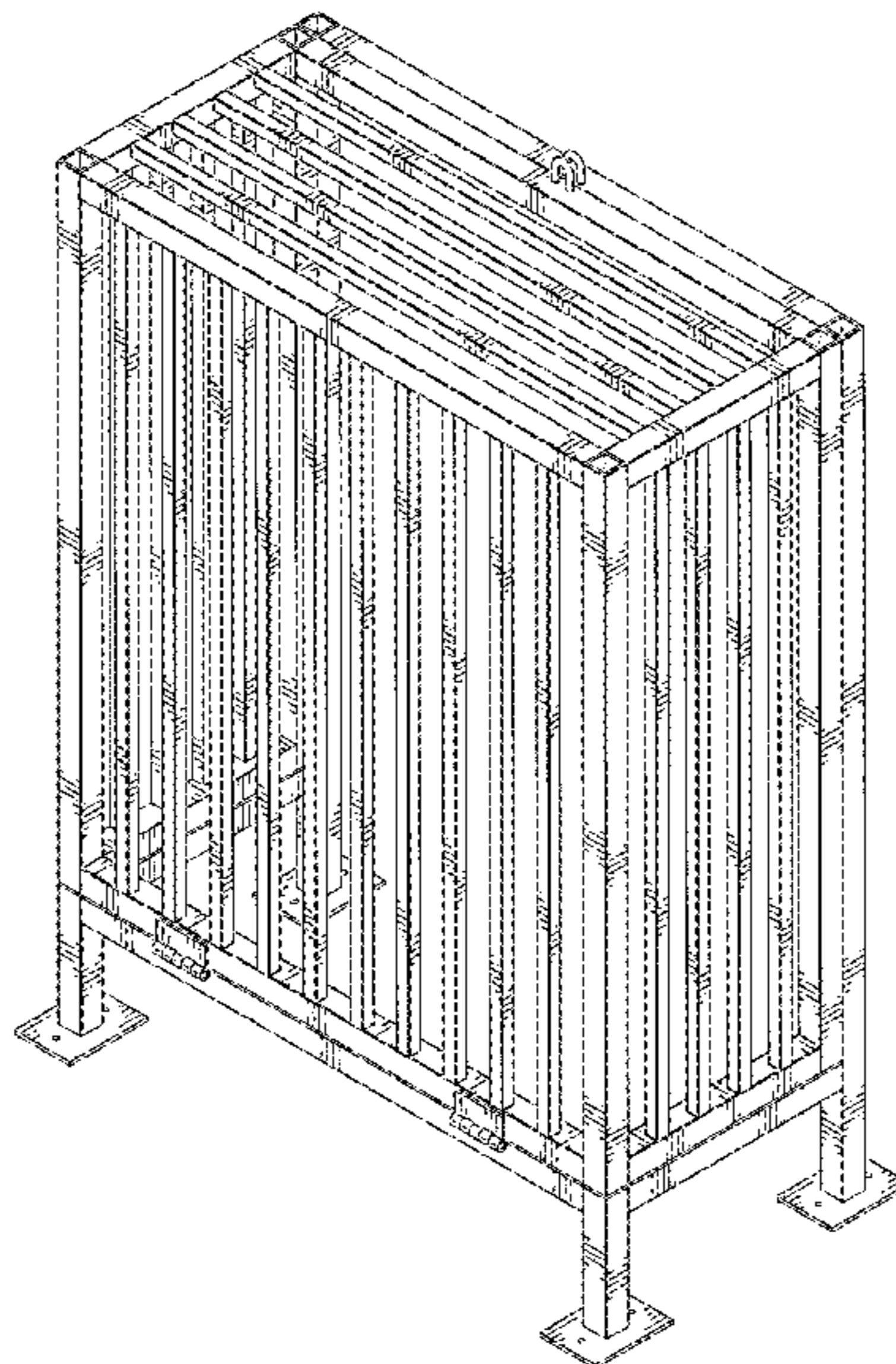
(57) **CLAIM**

I claim, the ornamental design for an air conditioner enclosure, as shown and described.

**DESCRIPTION**

FIG. 1 is a front perspective view of the air conditioner enclosure of the invention in the closed position;  
 FIG. 2 is a front view of the air conditioner enclosure of FIG. 1;  
 FIG. 3 is a back side view of the air conditioner enclosure of FIG. 1;  
 FIG. 4 is a left side view of the air conditioner enclosure of FIG. 1;  
 FIG. 5 is a right side view of the air conditioner enclosure of FIG. 1;  
 FIG. 6 is a top view of the air conditioner enclosure of FIG. 1;  
 FIG. 7 is a bottom view of the air conditioner enclosure of FIG. 1; and,  
 FIG. 8 is another perspective view of the air conditioner enclosure of the invention, similar to FIG. 1, but in the open position.

**1 Claim, 6 Drawing Sheets**



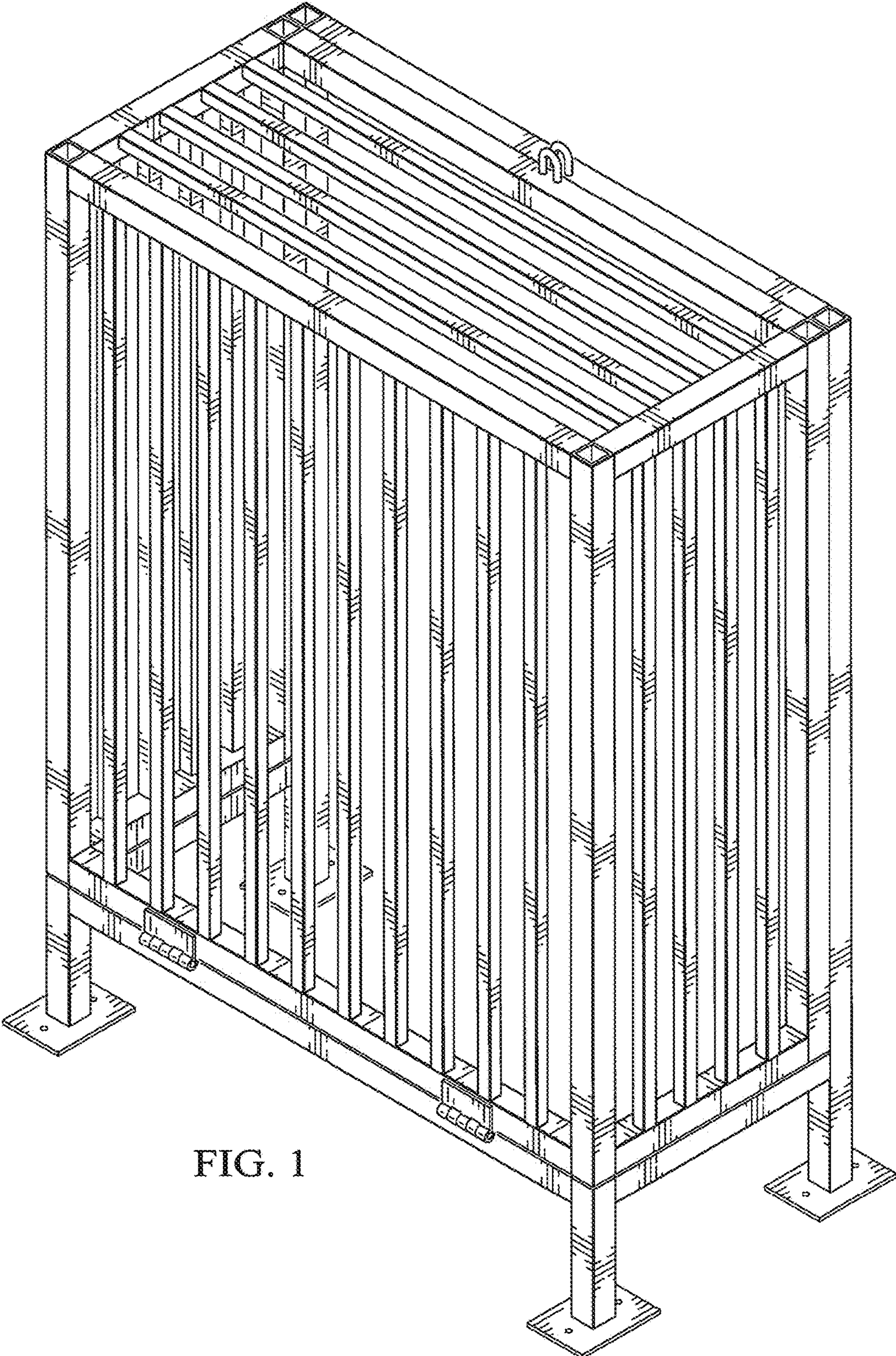


FIG. 1

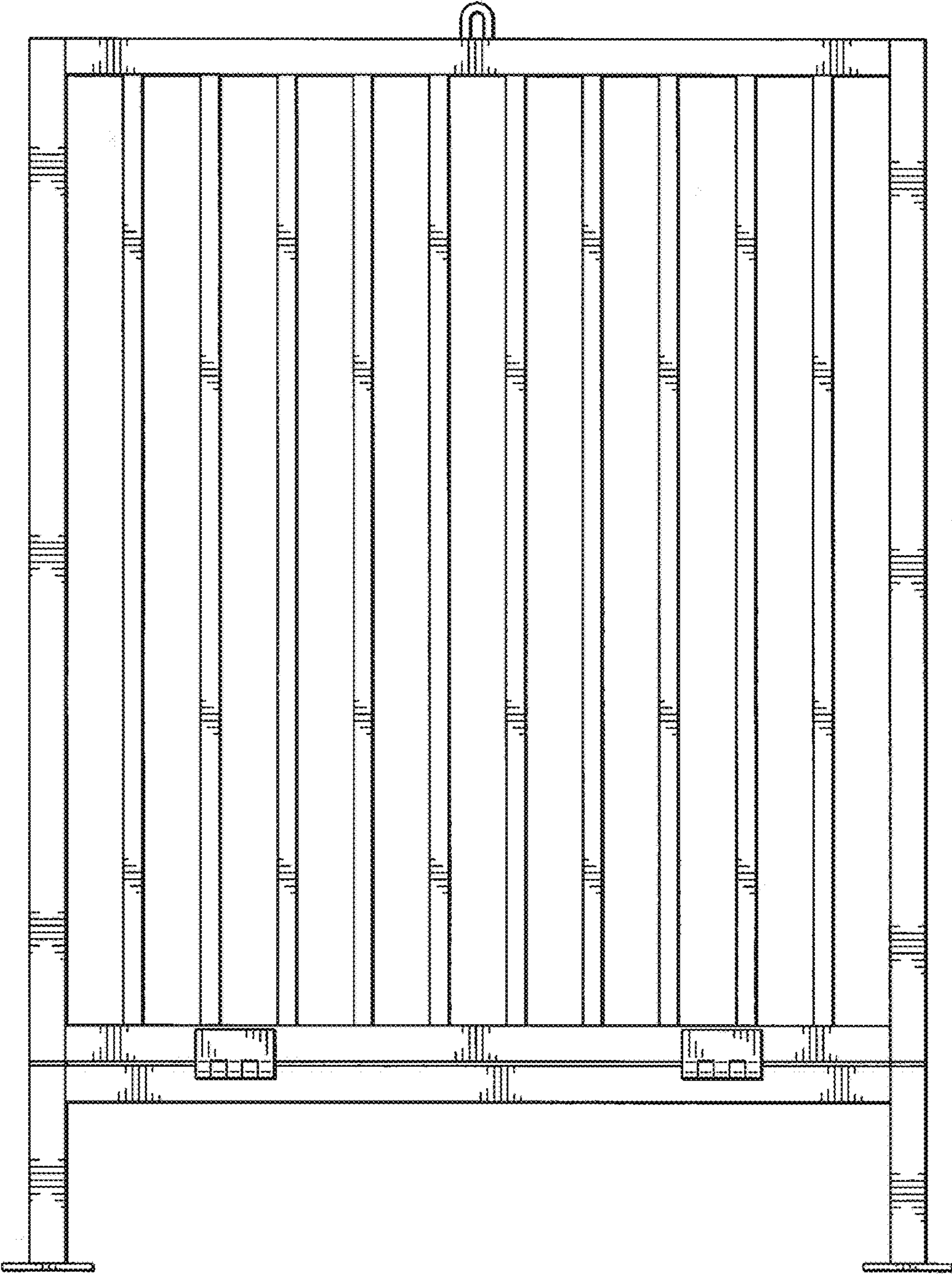


FIG. 2

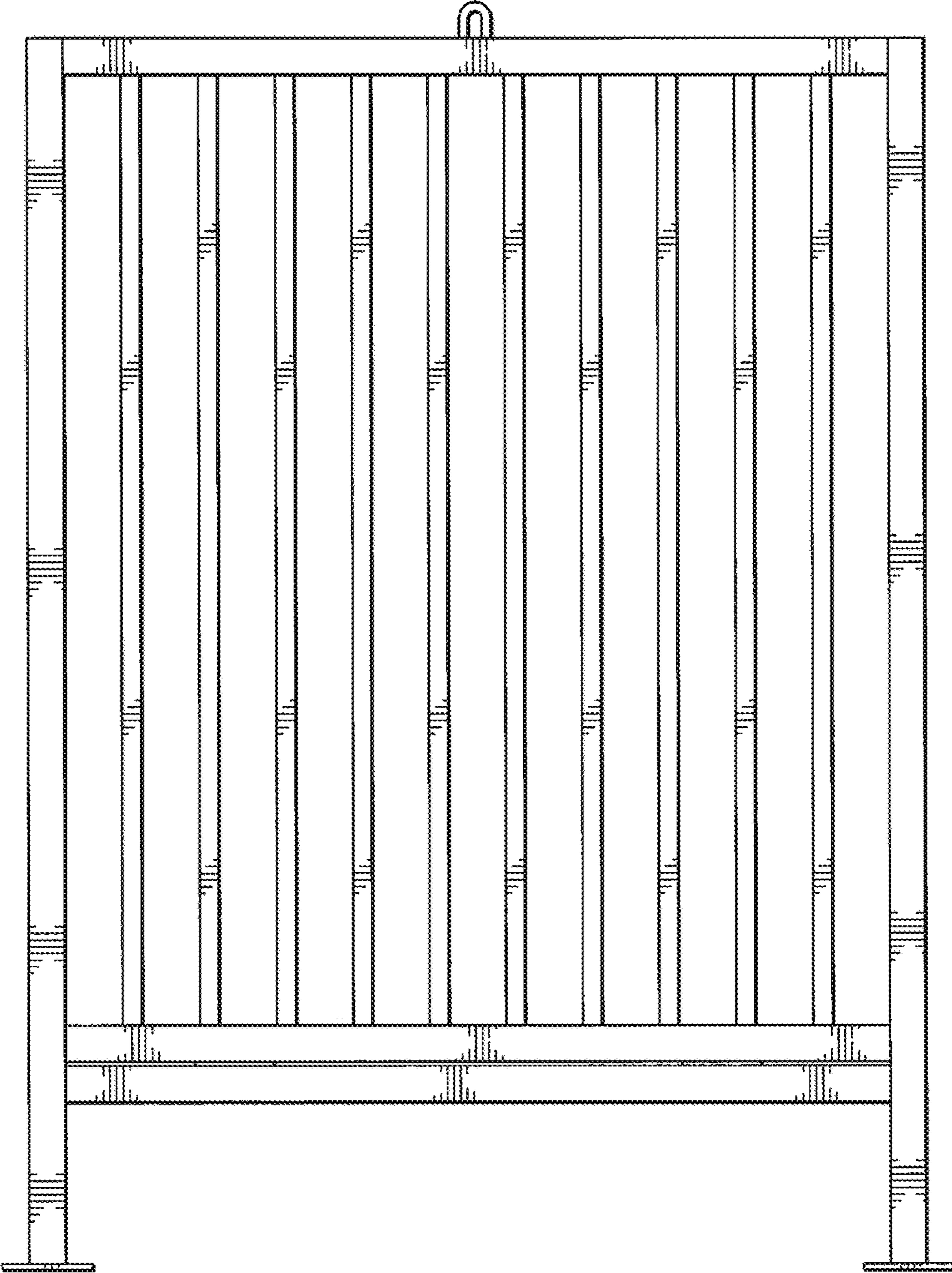


FIG. 3

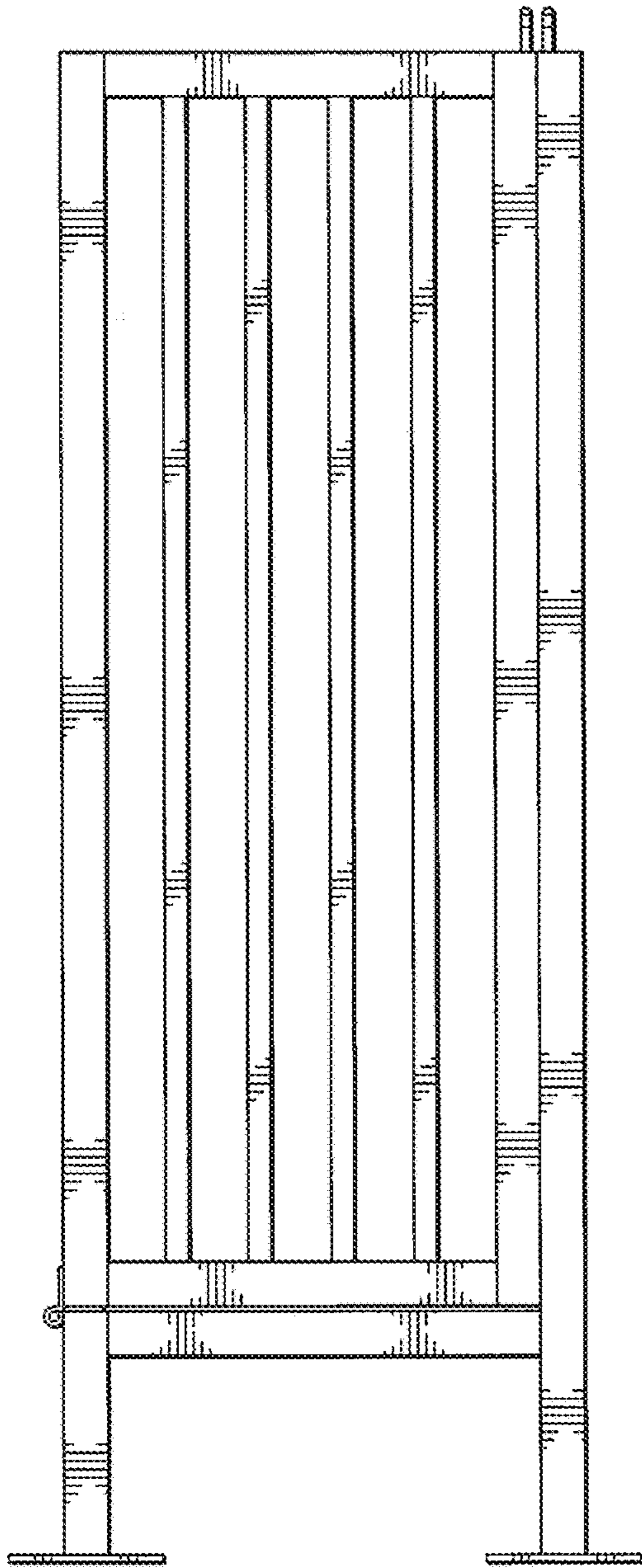


FIG. 4

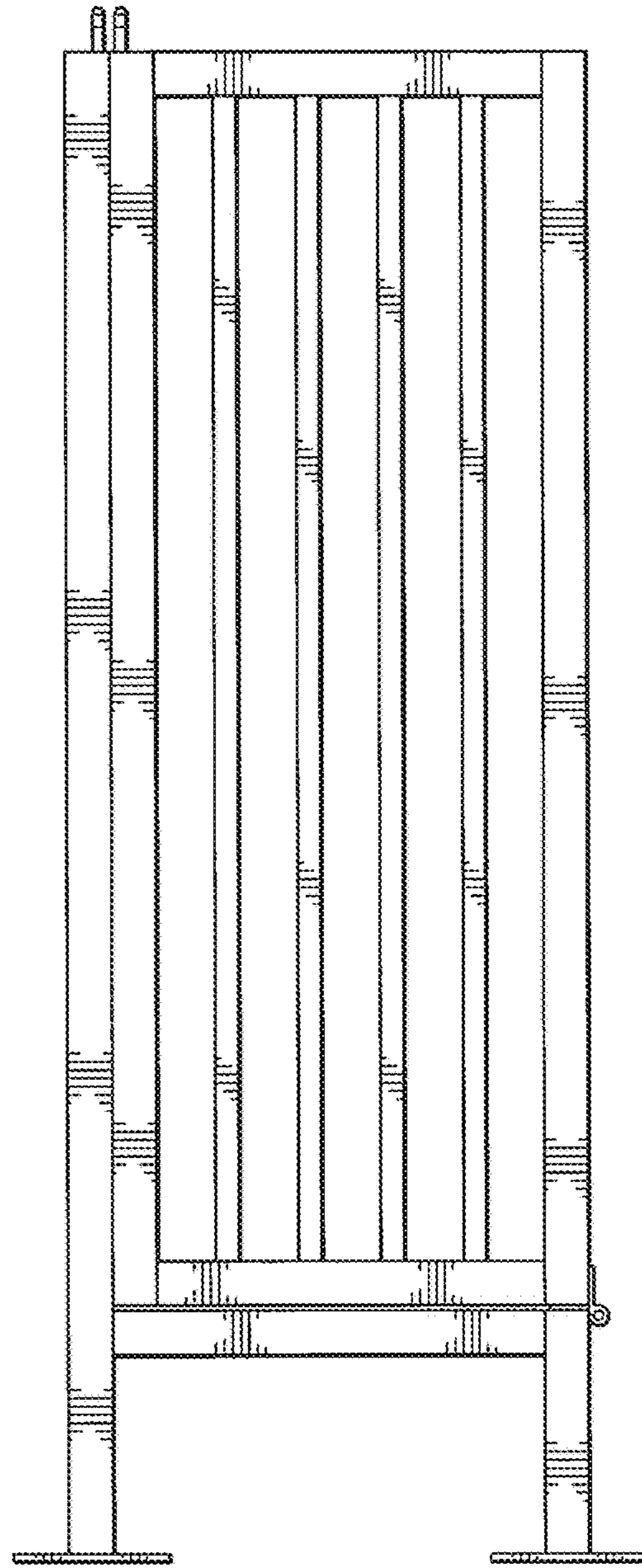


FIG. 5

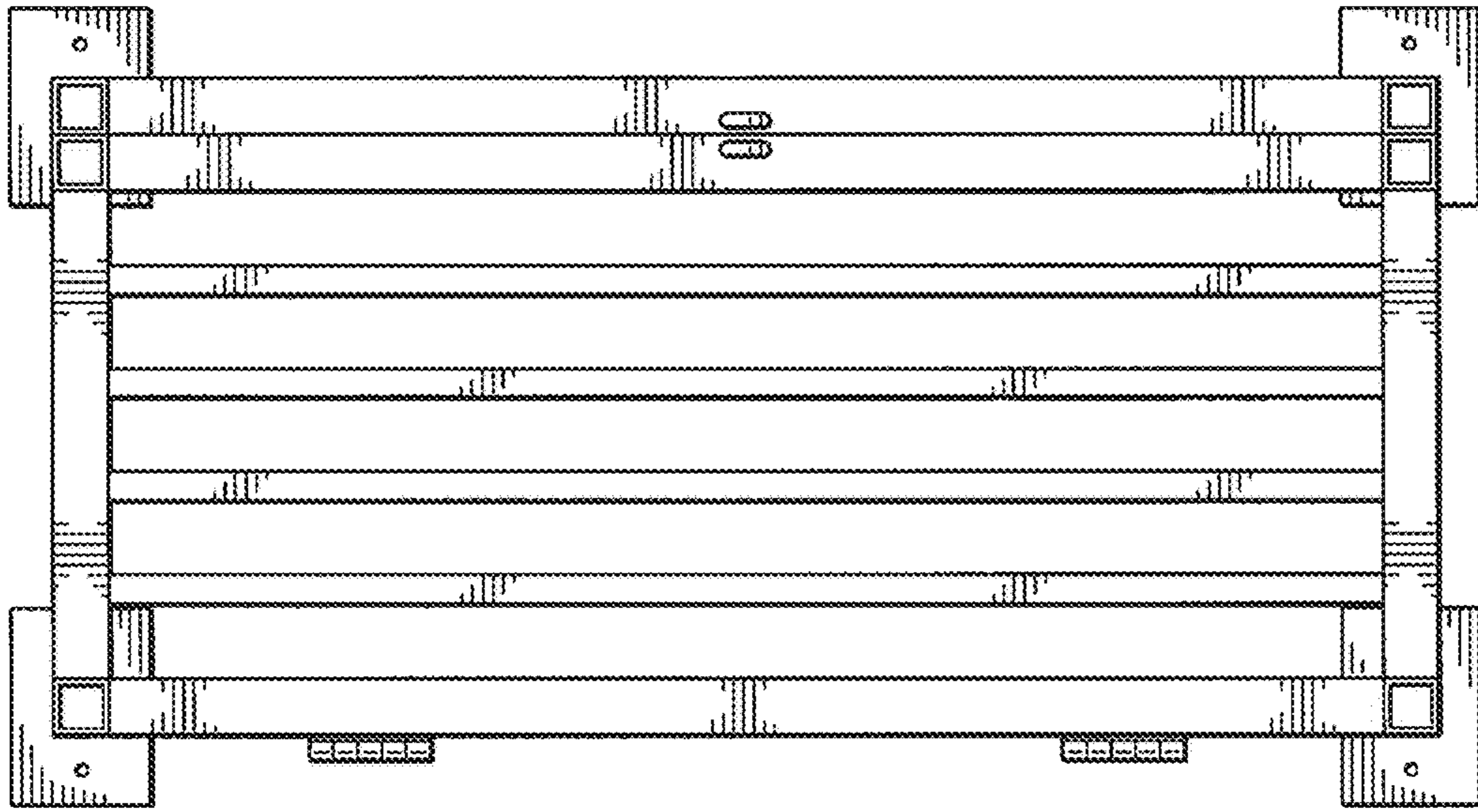


FIG. 6

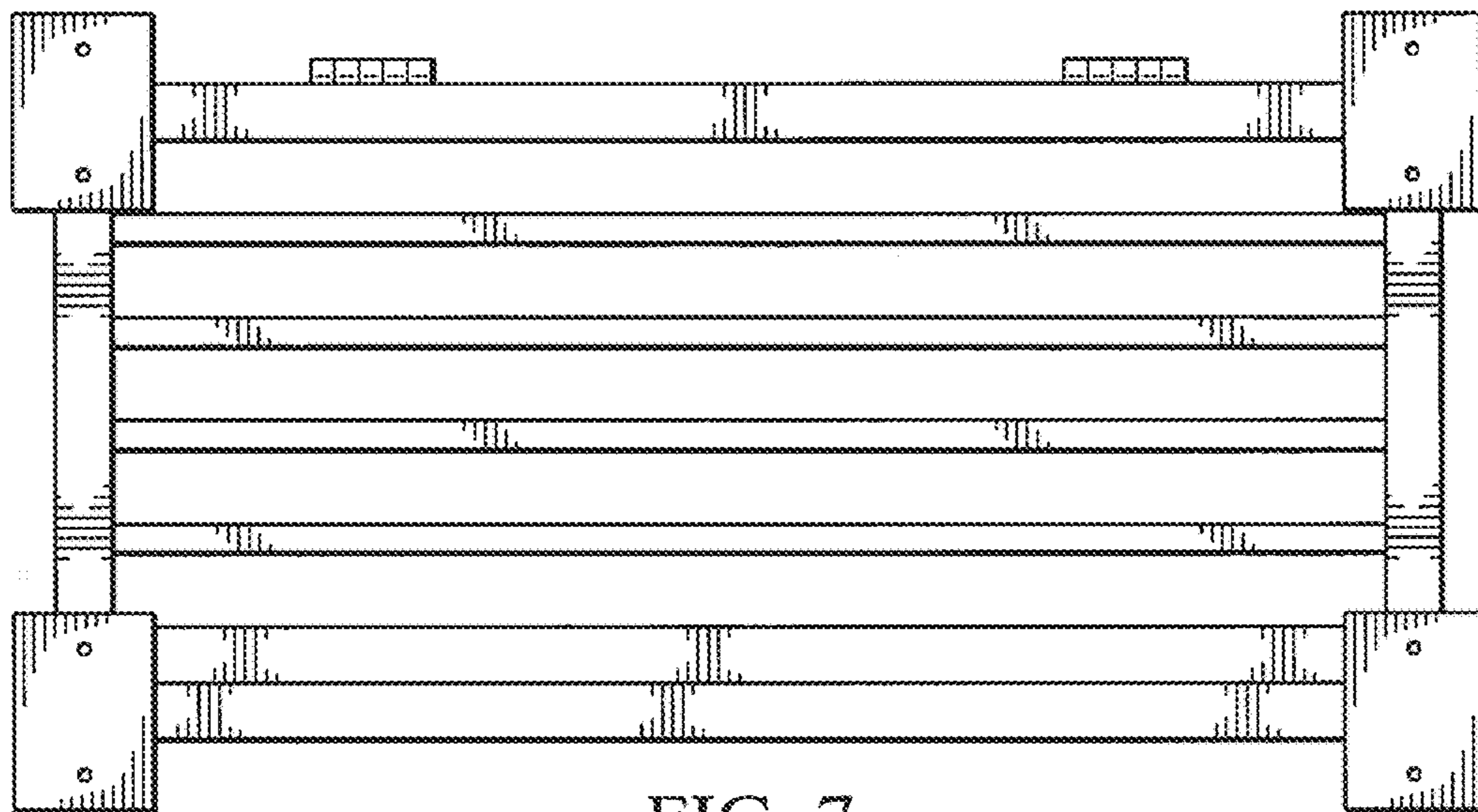


FIG. 7

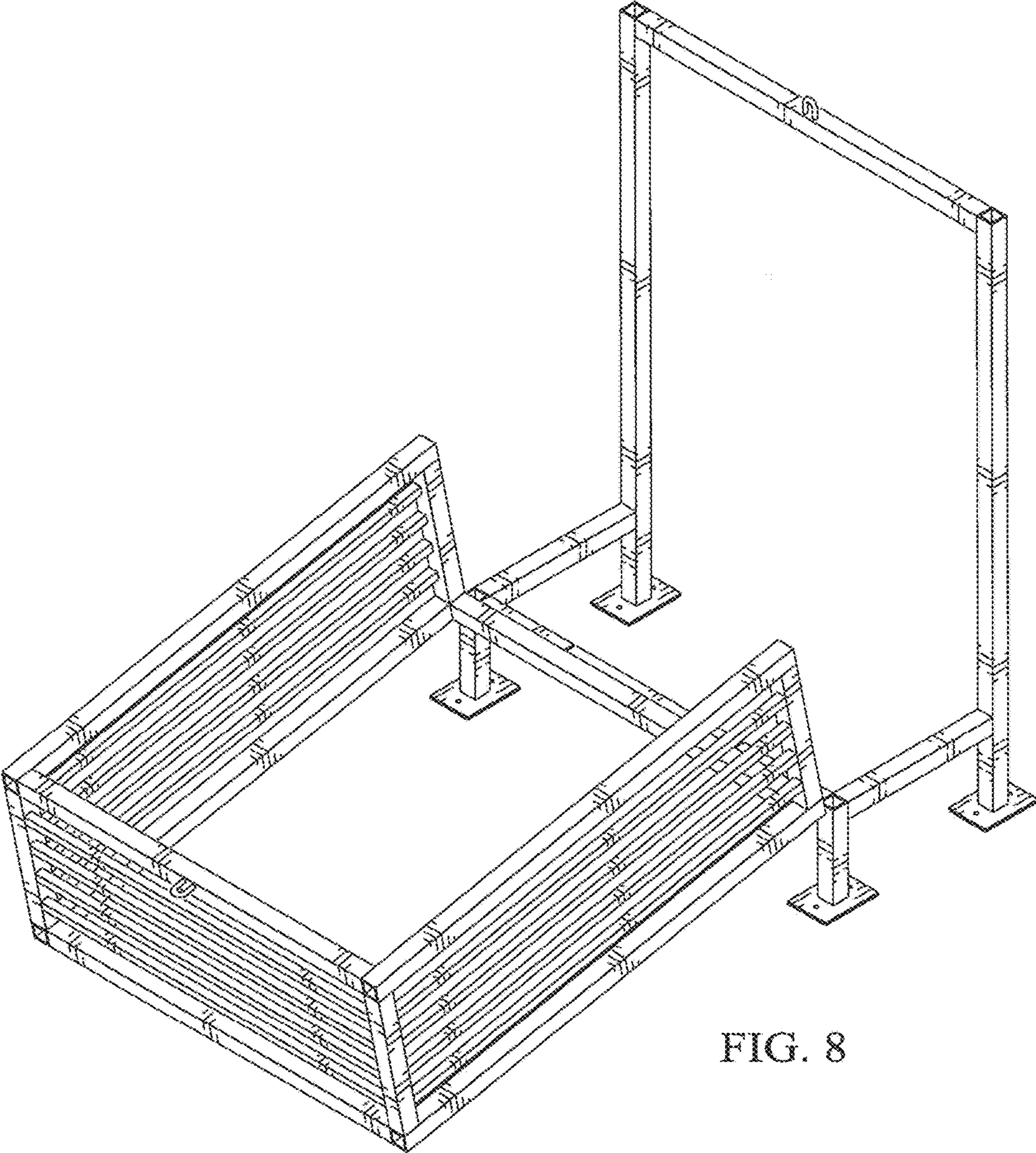


FIG. 8