



US00D815266S

(12) **United States Design Patent**  
**Ogg**

(10) **Patent No.:** **US D815,266 S**

(45) **Date of Patent:** **\*\* Apr. 10, 2018**

(54) **AIR CONDITIONER**

(71) Applicant: **LG ELECTRONICS INC.**, Seoul (KR)

(72) Inventor: **Anthony Ogg**, Northvale, NJ (US)

(73) Assignee: **LG Electronics Inc.**, Seoul (KR)

(\*\*) Term: **15 Years**

(21) Appl. No.: **35/502,364**

(22) Filed: **Aug. 3, 2016**

(80) **Hague Agreement Data**

Int. Filing Date: **Aug. 3, 2016**

Int. Reg. No.: **DM/091997**

Int. Reg. Date: **Aug. 3, 2016**

Int. Reg. Pub. Date: **Feb. 3, 2017**

(51) **LOC (11) Cl.** ..... **23-04**

(52) **U.S. Cl.**  
USPC ..... **D23/353**

(58) **Field of Classification Search**  
USPC ..... D23/314, 325, 332-334, 351-359, 364, D23/370, 385  
CPC ... F16K 11/06; F16K 11/11; F24F 1/00; F24F 1/27; F24F 13/08; F24F 13/15; F24F 13/1413; F24F 2001/0037; F24F 2001/004; F24F 2001/0048

See application file for complete search history.

(56) **References Cited**

U.S. PATENT DOCUMENTS

D310,411 S *	9/1990	Lapychak	.....	D23/354
D524,432 S *	7/2006	Oh	.....	D23/353
D534,261 S *	12/2006	Oh	.....	D23/353
D539,890 S *	4/2007	Jeong	.....	D23/353
D562,955 S *	2/2008	Choi	.....	D23/353
D568,976 S *	5/2008	Choi	.....	D23/353

\* cited by examiner

*Primary Examiner* — Keli L Hill

(74) *Attorney, Agent, or Firm* — Birch, Stewart, Kolasch & Birch, LLP

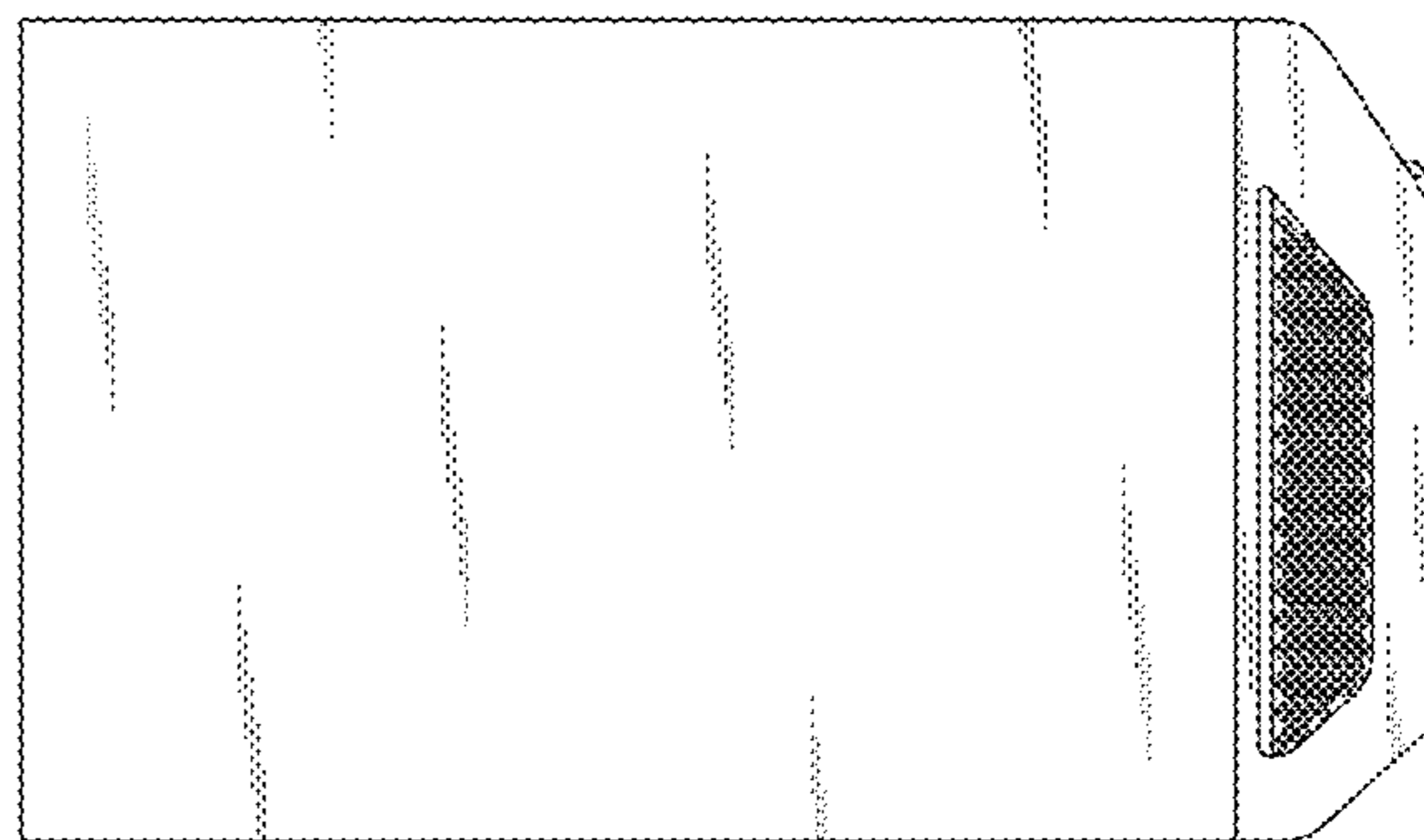
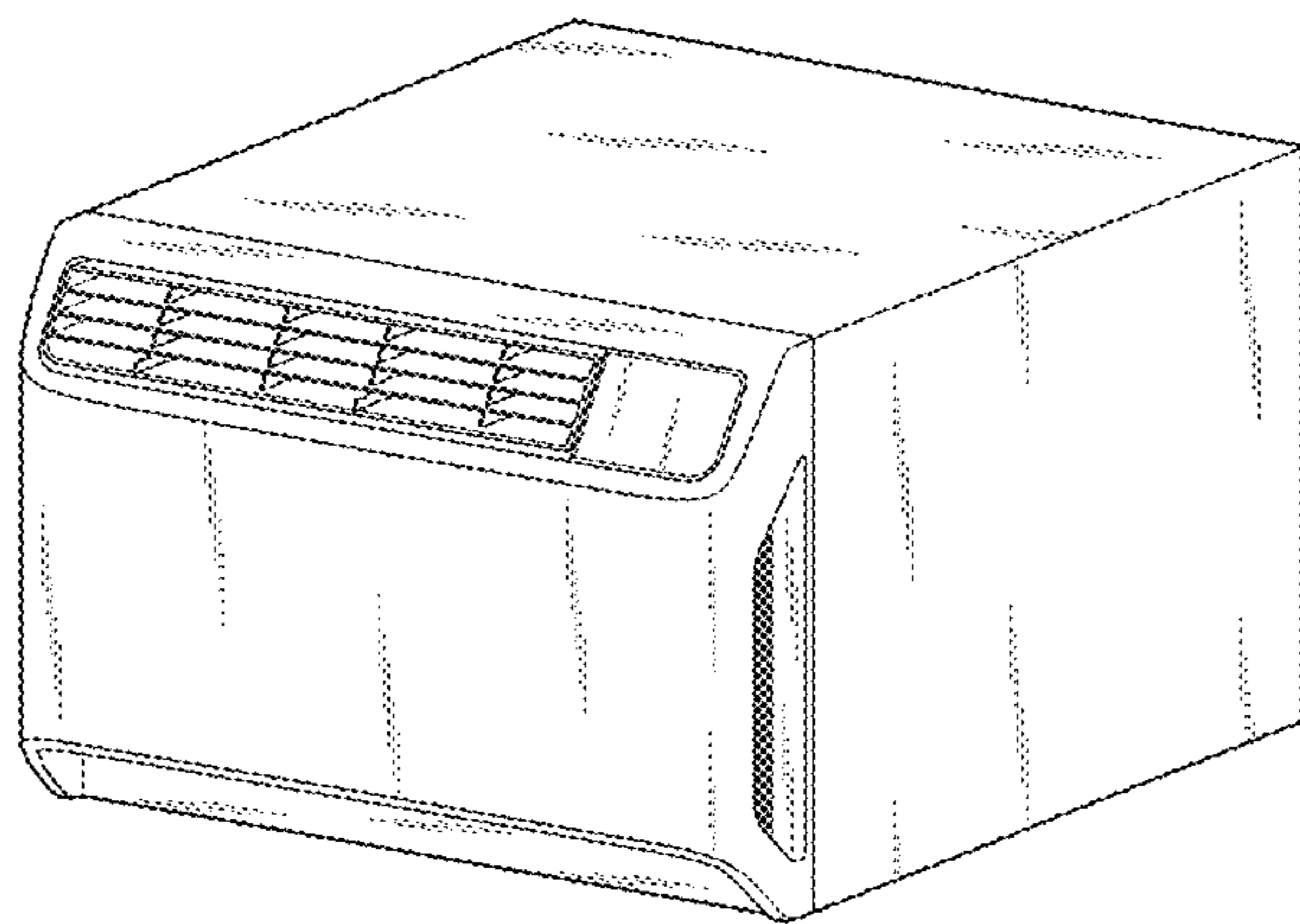
(57) **CLAIM**

The ornamental design for an air conditioner, as shown and described.

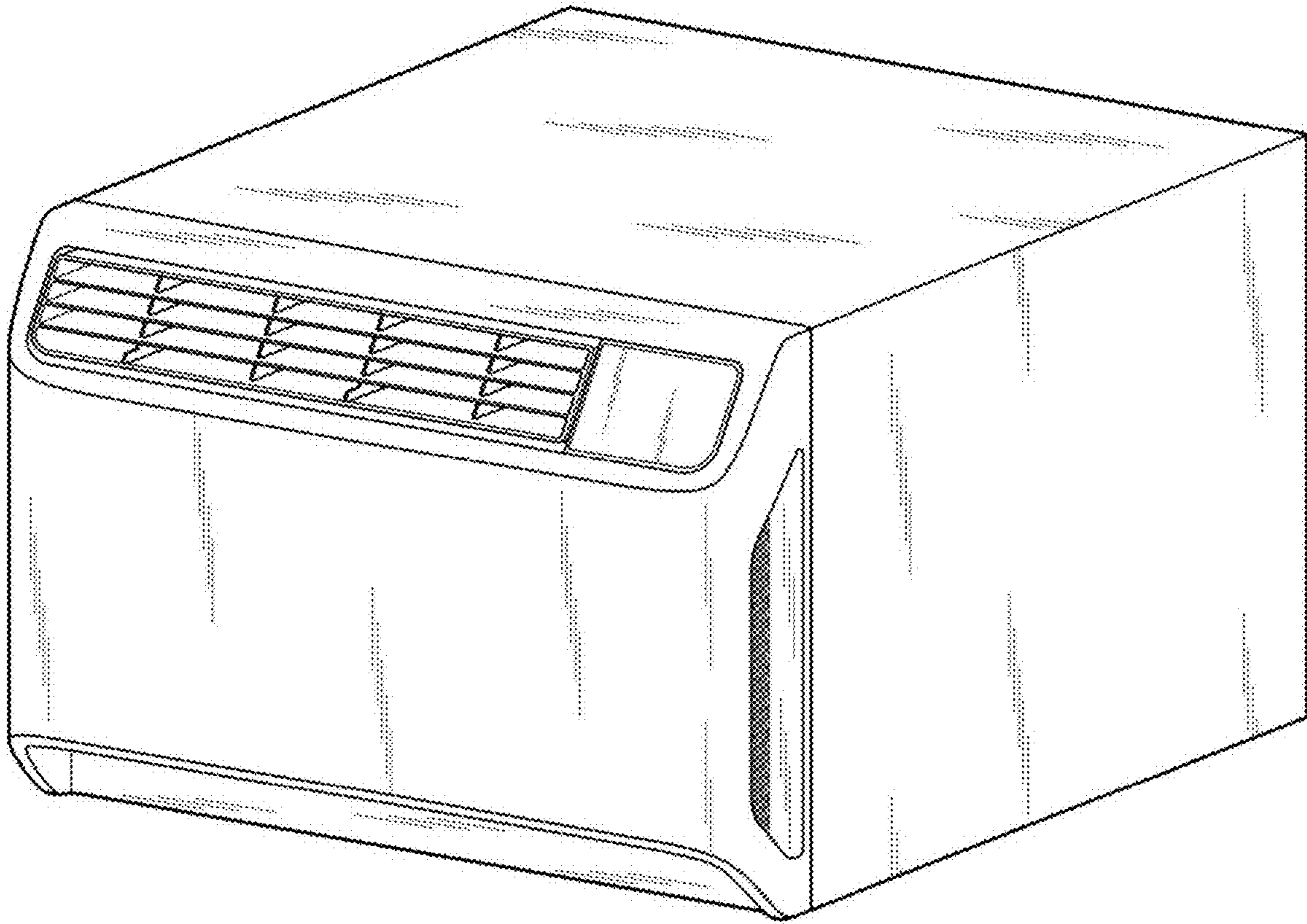
**DESCRIPTION**

- 1. Air conditioner
- 1.1 is a front perspective view.
- 1.2 is a front elevation view.
- 1.3 is rear elevation view.
- 1.4 is a left side elevation view.
- 1.5 is a right side elevation view.
- 1.6 is a top plan view.
- 1.7 is a bottom plan view.

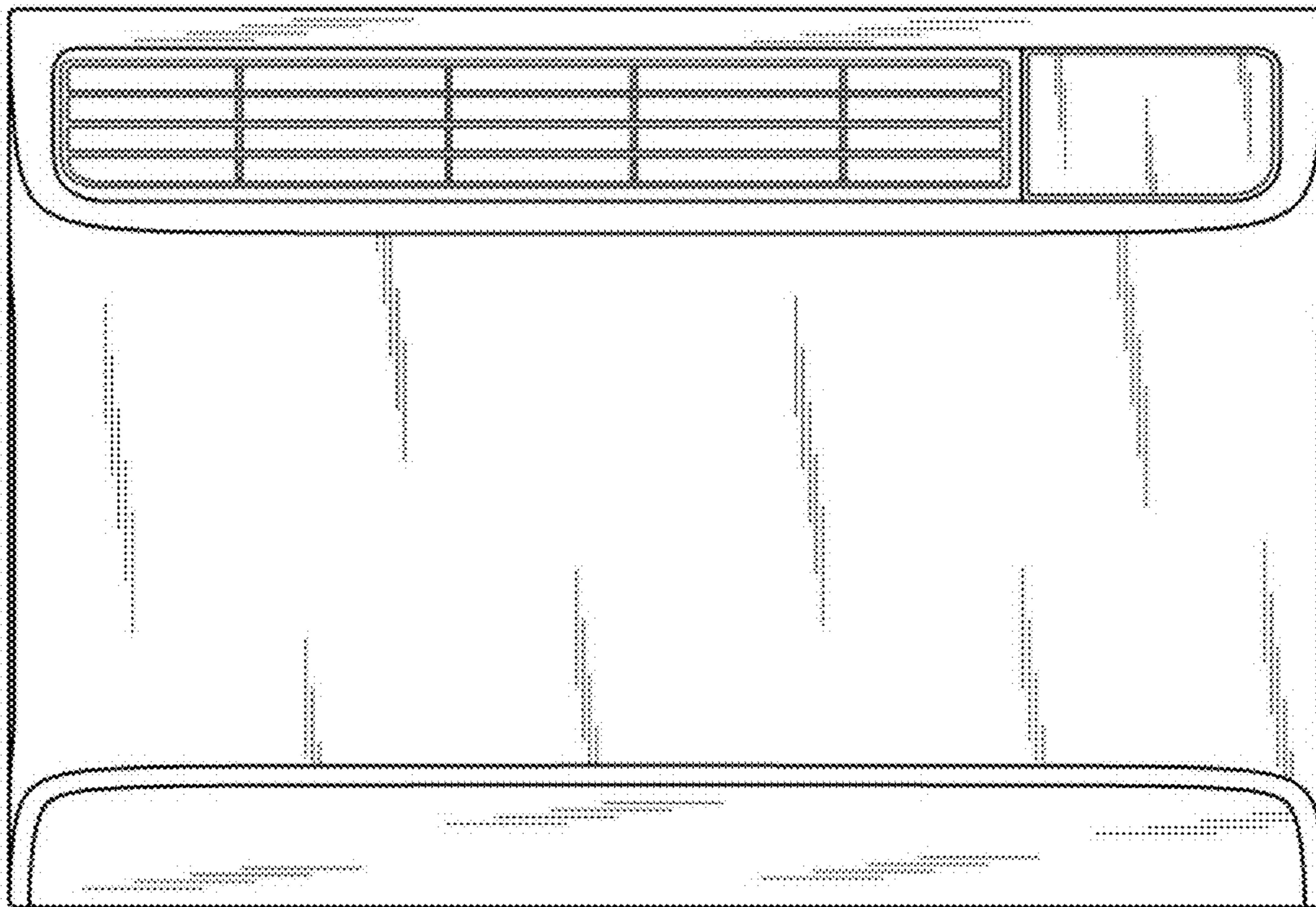
**1 Claim, 7 Drawing Sheets**



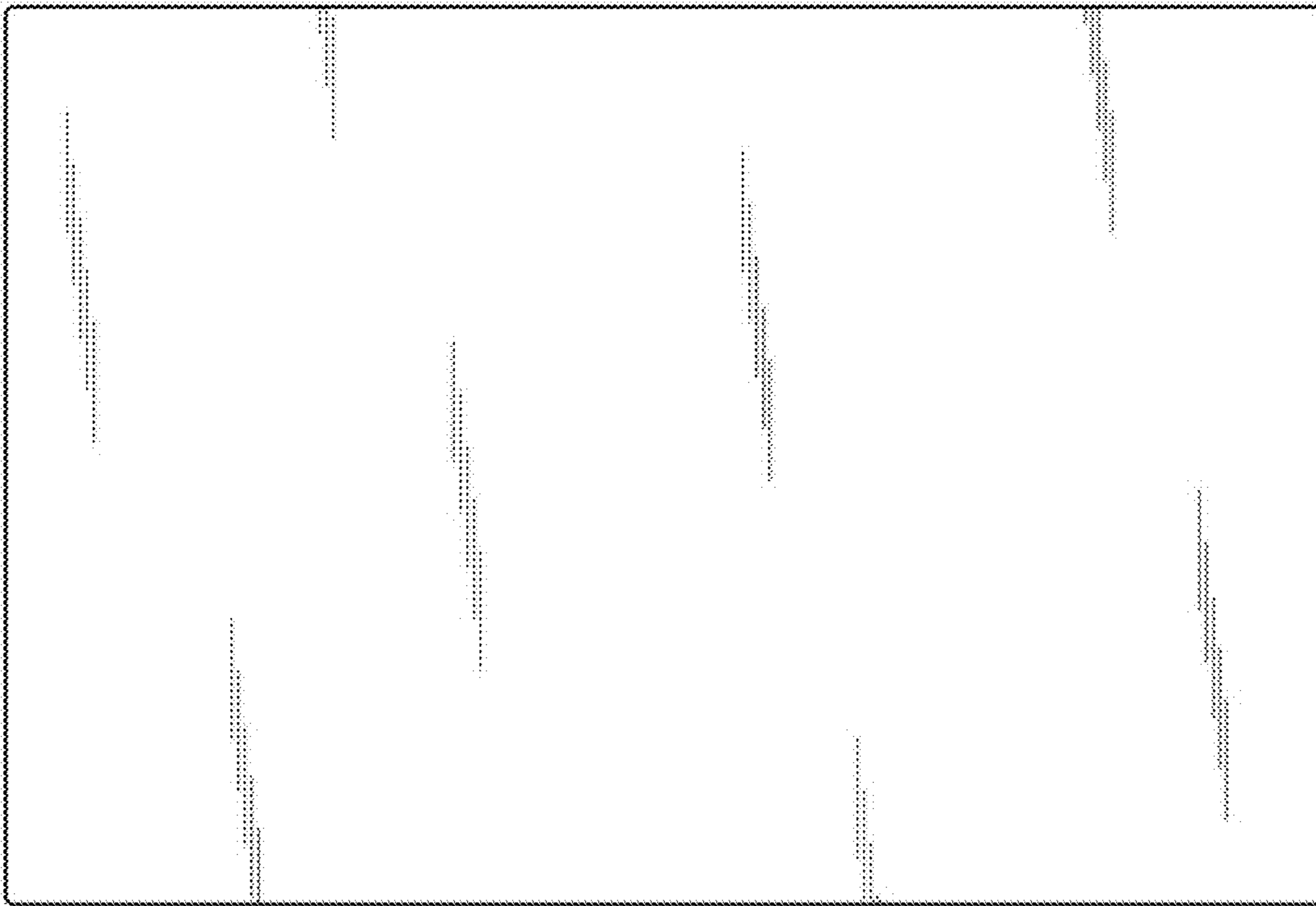
1.1



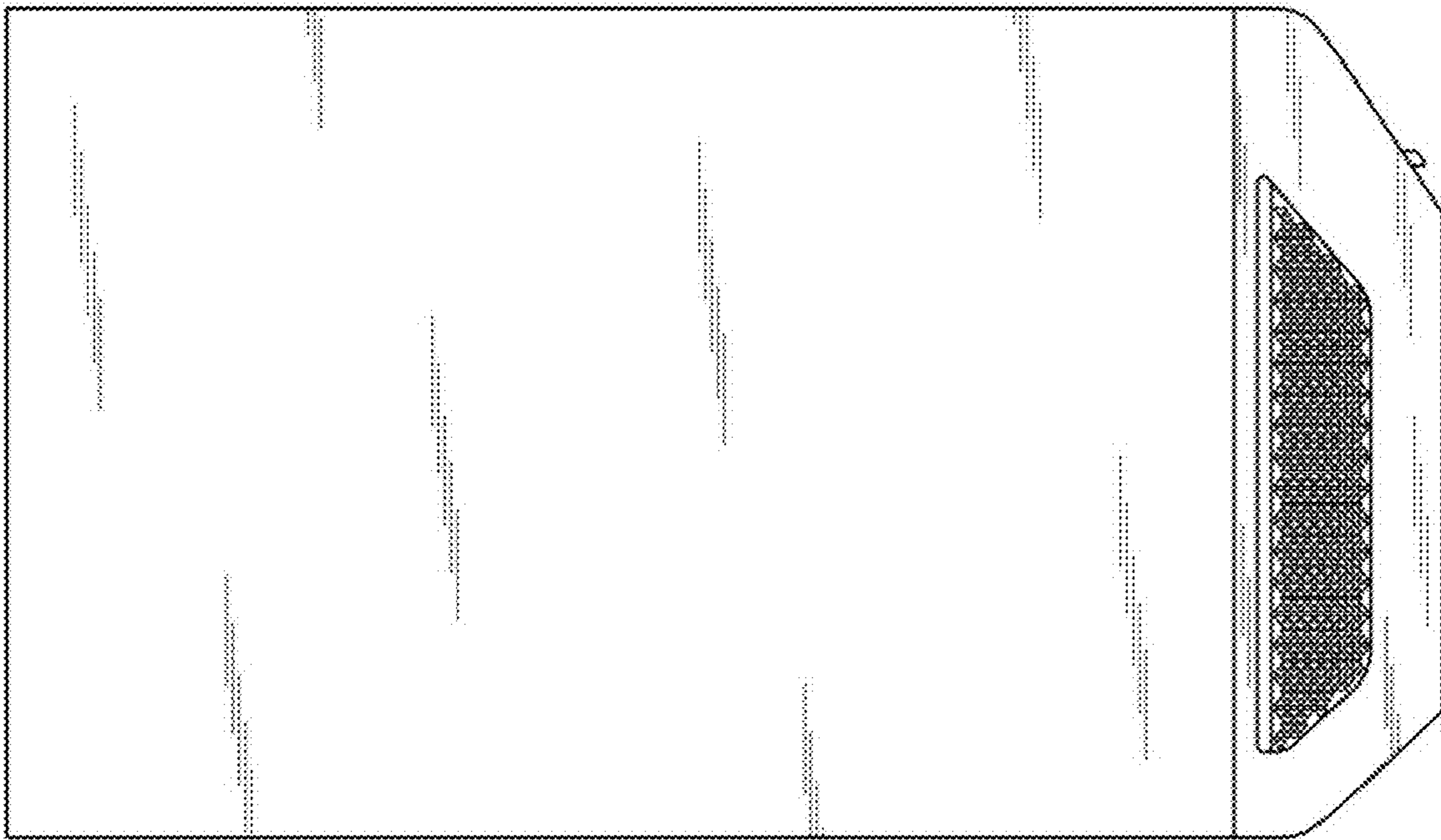
1.2



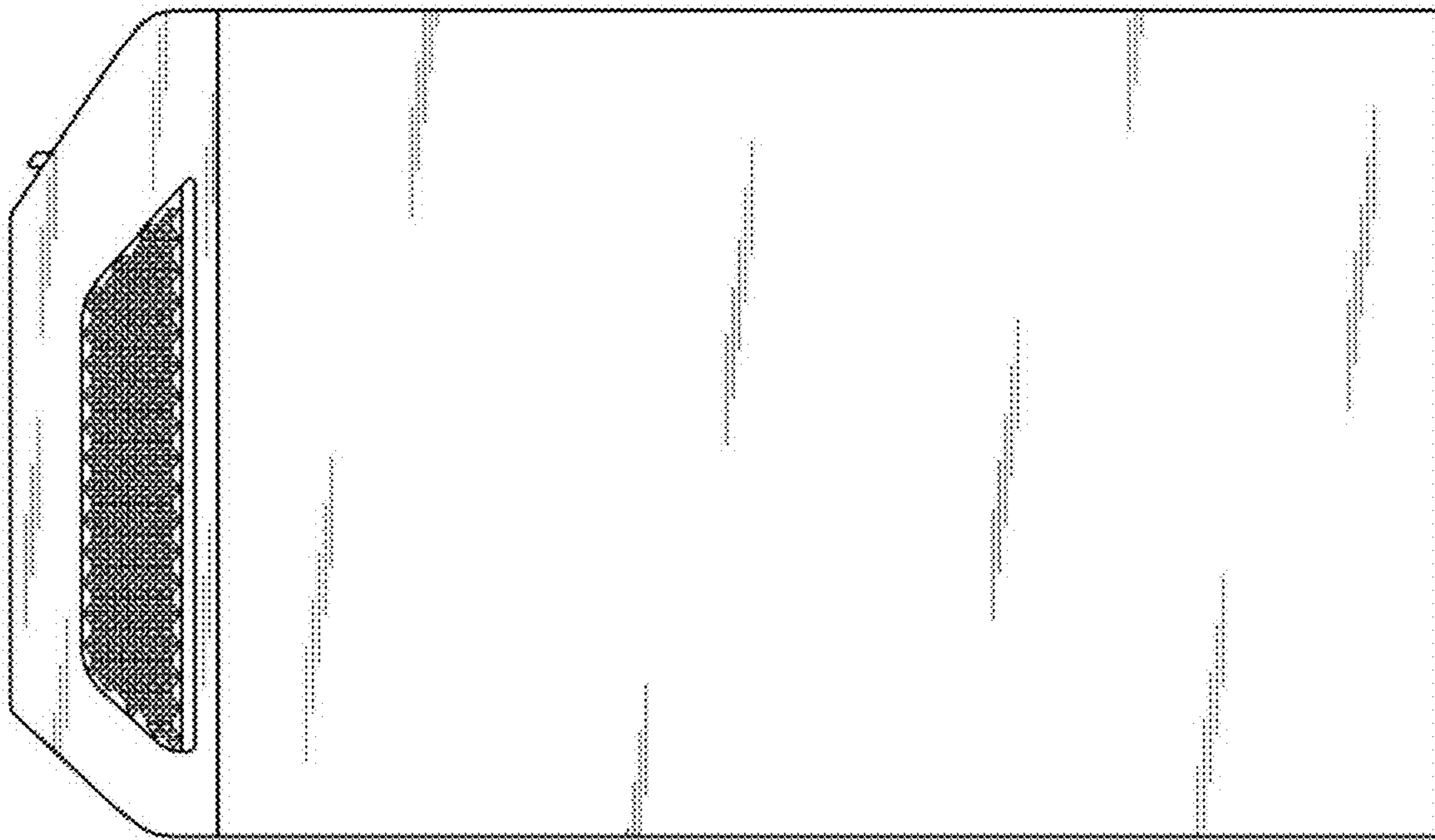
1.3



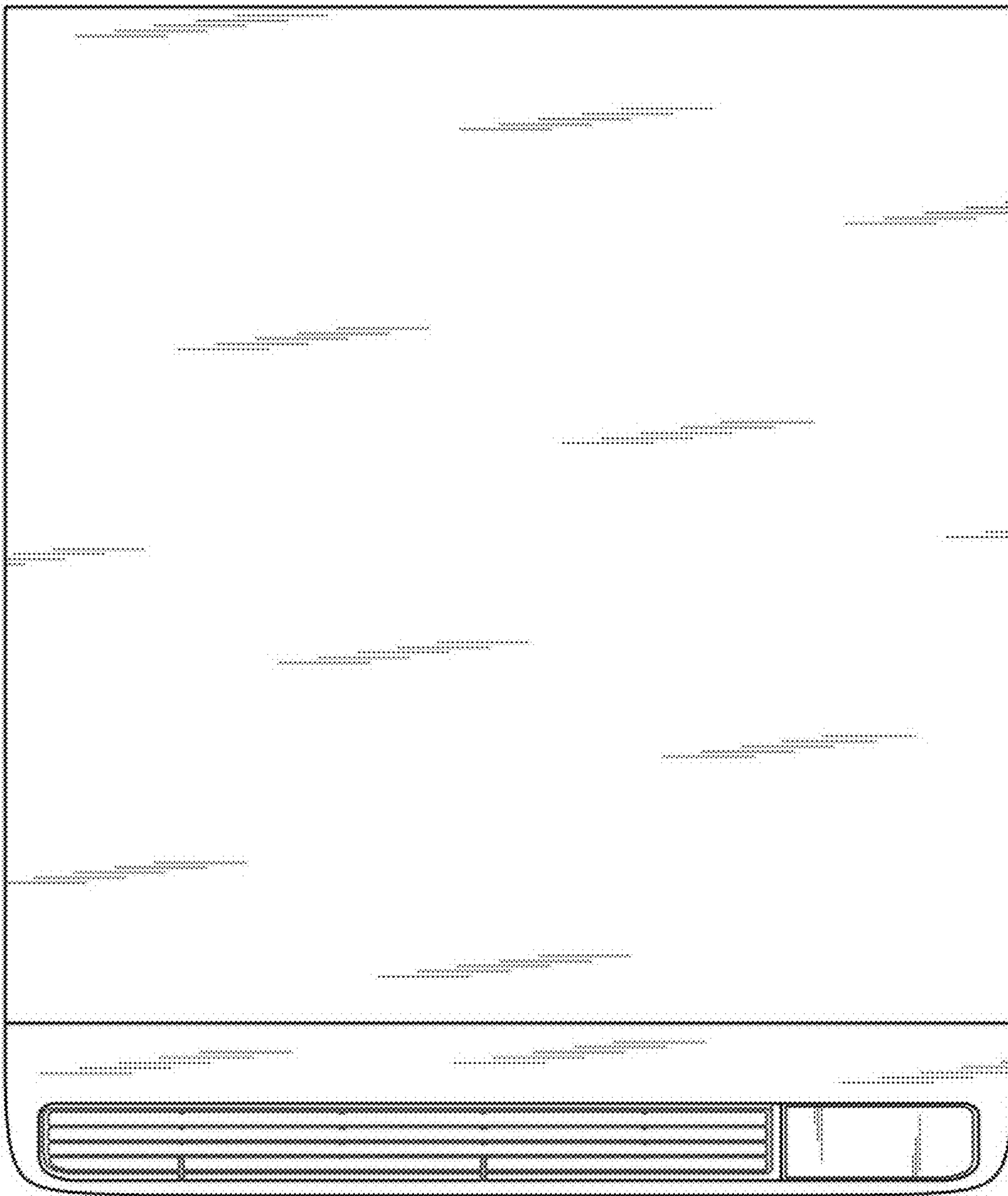
1.4



1.5



1.6



1.7

