



US00D815263S

(12) **United States Design Patent** (10) **Patent No.:** **US D815,263 S**  
**Pinkus et al.** (45) **Date of Patent:** **\*\* Apr. 10, 2018**

(54) **STEAMHEAD FOR STEAM GENERATOR**

FOREIGN PATENT DOCUMENTS

(71) Applicant: **SUSSMAN AUTOMATIC CORPORATION**, Long Island City, NY (US)

CN 201200604 Y 3/2009  
CN 203609641 U 5/2014

(Continued)

(72) Inventors: **Michael J. Pinkus**, Pleasantville, NY (US); **Peter A. Titolo**, Kings Park, NY (US)

*Primary Examiner* — T. Chase Nelson

*Assistant Examiner* — Ania Aman

(74) *Attorney, Agent, or Firm* — Epstein Drangel LLP; Robert L. Epstein

(73) Assignee: **SUSSMAN AUTOMATIC CORPORATION**, Long Island City, NY (US)

(\*\*) Term: **15 Years**

(21) Appl. No.: **29/533,130**

(22) Filed: **Jul. 14, 2015**

(51) **LOC (11) Cl.** ..... **23-03**

(52) **U.S. Cl.**

USPC ..... **D23/315**

(58) **Field of Classification Search**

USPC ..... D23/314, 322, 315, 323, 317, 329, 330, D23/332, 338, 339, 340, 341, 342, 357, D23/387

CPC ..... A61H 33/6052; A61H 33/06; A61H 2033/068; A61H 2201/0188; A61H 2201/5012; A61H 2201/5082; A61H 33/065; A61H 33/601; A61H 33/6068; A61H 33/6094

See application file for complete search history.

(56) **References Cited**

U.S. PATENT DOCUMENTS

2,753,433 A \* 7/1956 Rutkowski ..... A47K 3/282 219/217  
3,007,178 A \* 11/1961 Altman ..... A47K 3/28 392/397  
D224,224 S \* 7/1972 Mango ..... D23/335  
D224,226 S \* 7/1972 Mango ..... D23/335  
D309,659 S \* 7/1990 Welsh ..... D23/387

(Continued)

(57) **CLAIM**

The ornamental design for a steamhead for steam generator, substantially as shown and described.

**DESCRIPTION**

FIG. 1 is an isometric view showing the top, front and right side of the steamhead for steam generator showing our new design;

FIG. 2 is an elevation view of the front;

FIG. 3 is an elevation view of the rear;

FIG. 4 is an elevation view of the right side, the left side being the mirror image thereof;

FIG. 5 is a top plan view;

FIG. 6 is a bottom plan view;

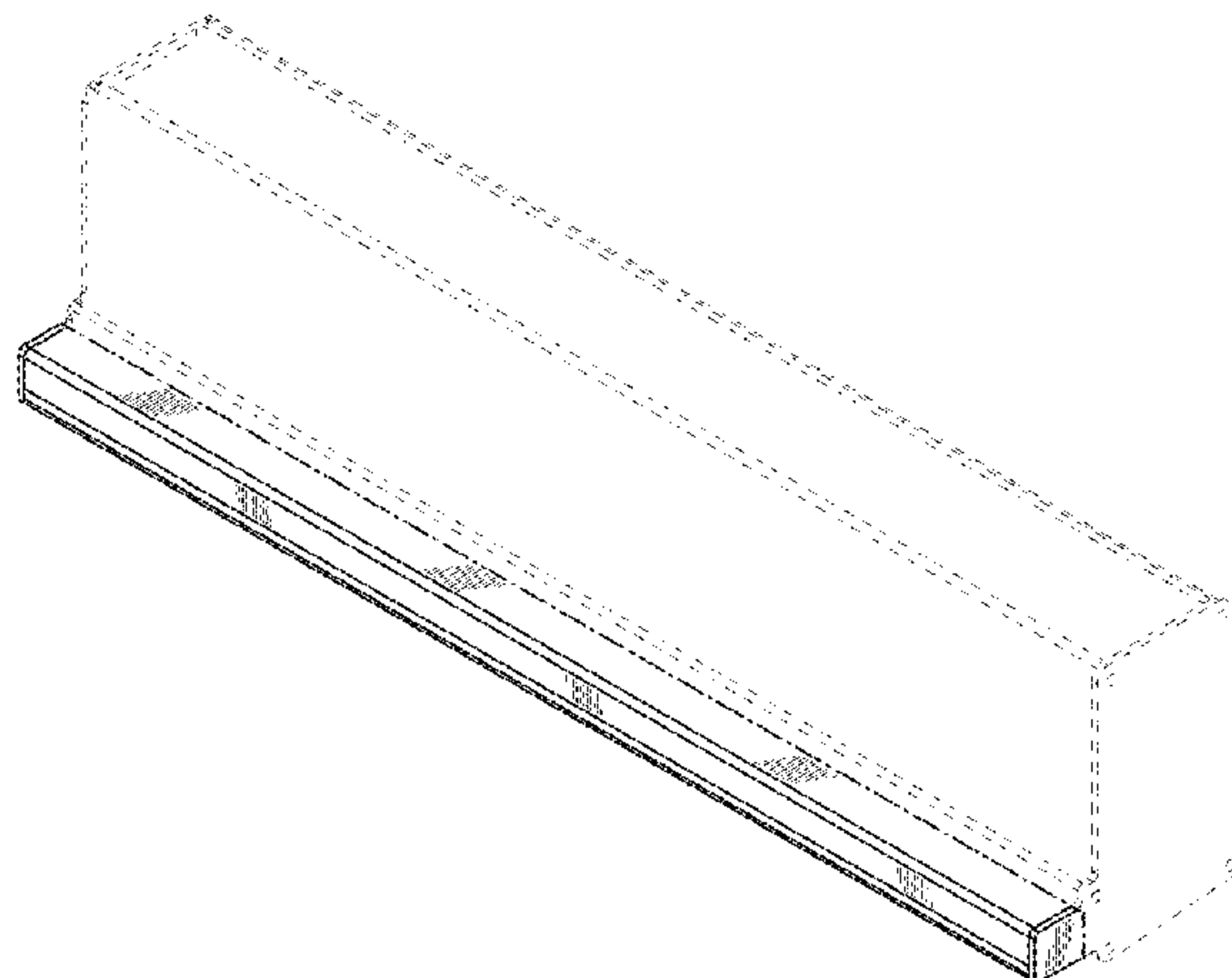
FIG. 7 is a front perspective view as it would appear installed behind the tiled wall of a shower stall with a tiled floor;

FIG. 8 is a front elevation view as it would appear installed behind the tiled wall of a shower stall; and,

FIG. 9 is an elevation view of the right side as it would appear installed behind the tiled wall of a shower stall.

The broken line shown in the drawings are for the purpose of illustrating portions of the article and form no part of the claimed design. The dash-dot-dash line represents the boundaries of the claimed design and form no part of the claimed design.

**1 Claim, 7 Drawing Sheets**



(56)

References Cited

U.S. PATENT DOCUMENTS

5,121,860 A \* 6/1992 Bruckner ..... B2D 41/14  
222/591  
5,215,043 A \* 6/1993 Tsutsumi ..... A61H 33/063  
122/39  
5,253,635 A \* 10/1993 Overall ..... F24D 5/08  
126/72  
5,279,667 A \* 1/1994 Blankenship ..... B05C 11/06  
118/419  
5,333,573 A \* 8/1994 Tsutsumi ..... A61H 33/063  
122/367.1  
5,435,020 A 7/1995 Maskell et al.  
5,805,765 A 9/1998 Altman  
5,992,412 A \* 11/1999 Paulger ..... F24F 3/1603  
126/299 R  
6,505,781 B2 1/2003 Altman  
D620,585 S \* 7/2010 Adair ..... D23/387  
D691,771 S \* 10/2013 Gao ..... D32/32  
2009/0049597 A1 \* 2/2009 Saitou ..... A61H 33/065  
4/524

2011/0132940 A1\* 6/2011 Peschka ..... B05C 5/0258  
222/505  
2012/0233764 A1\* 9/2012 Lee ..... A61H 33/06  
4/524  
2012/0291194 A1 11/2012 Lee  
2013/0097773 A1 4/2013 Pinkus  
2016/0143771 A1\* 5/2016 Swyer ..... A61F 7/0085  
607/104  
2016/0271012 A1\* 9/2016 Xu ..... A61H 33/10  
2016/0287471 A1\* 10/2016 Urfig ..... A61H 33/06  
2017/0082307 A1\* 3/2017 Celotta ..... F24F 6/18  
2017/0268156 A1\* 9/2017 Dana ..... D06F 58/203

FOREIGN PATENT DOCUMENTS

DE 102010048402 B4 10/2013  
EP 1484044 B1 3/2009  
GB 2095105 A 9/1982  
JP H05285188 A 11/1993  
JP H0780039 A 3/1995

\* cited by examiner

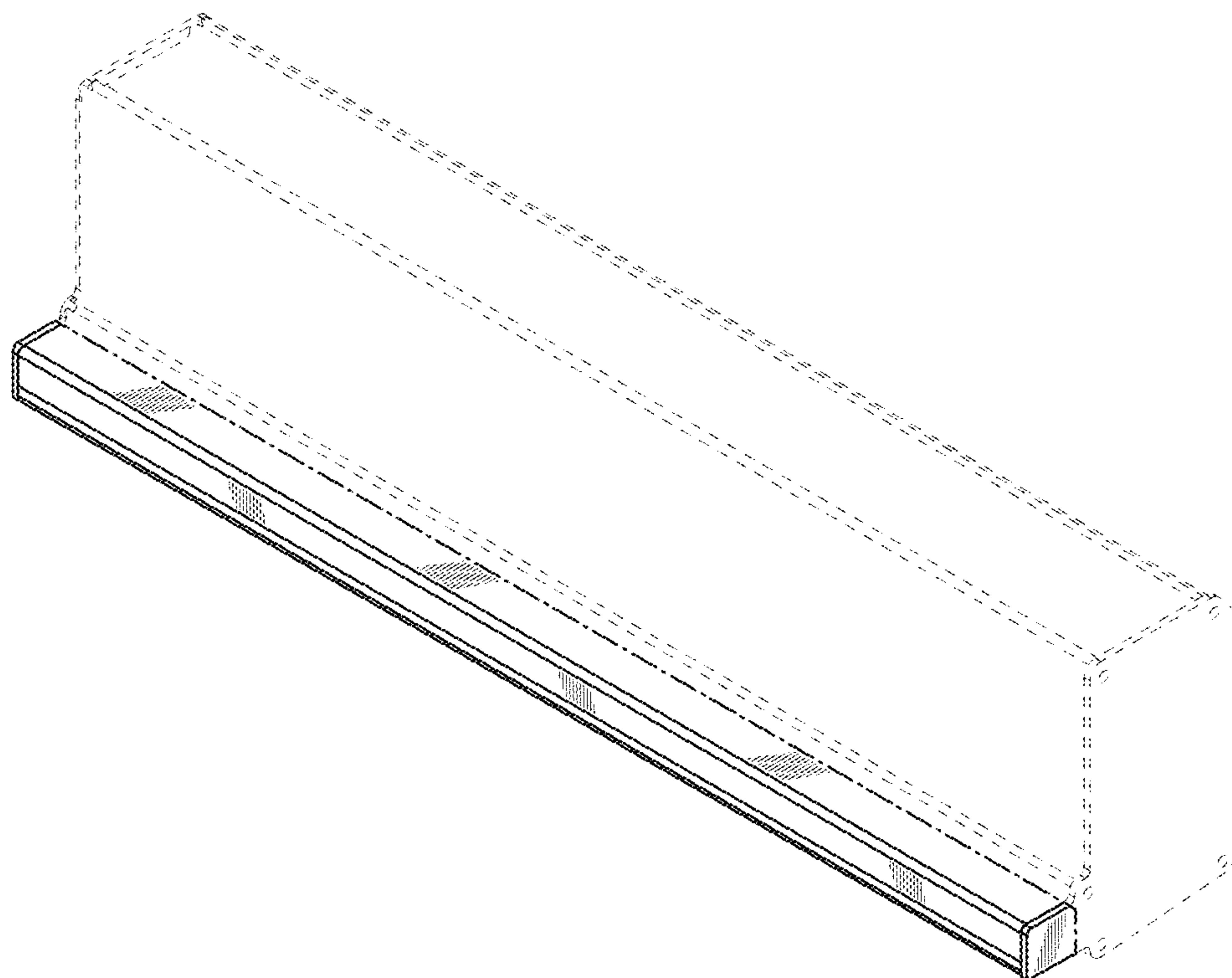


FIG. 1

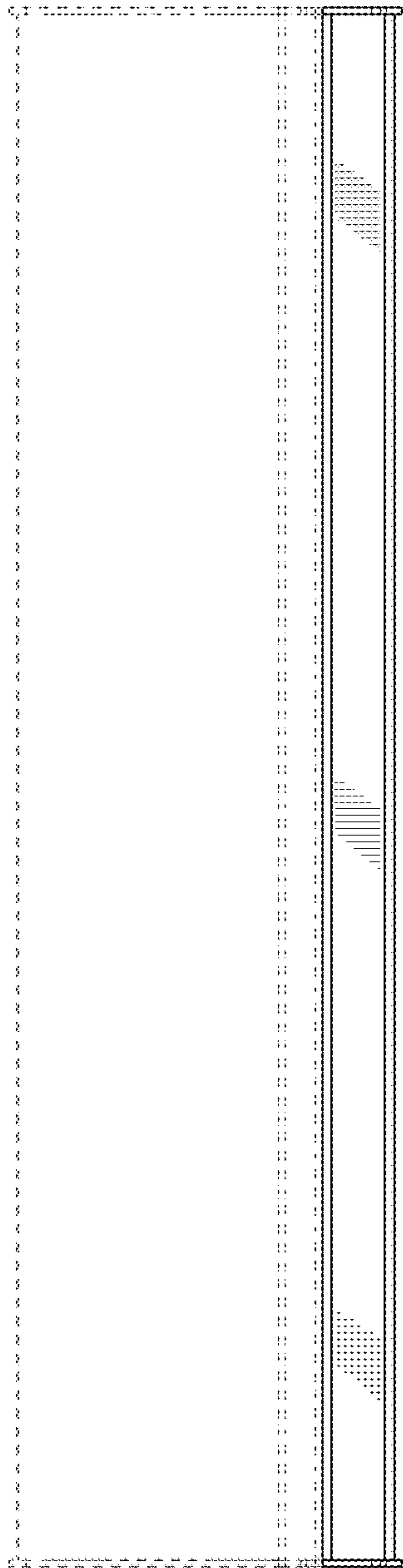


FIG. 2

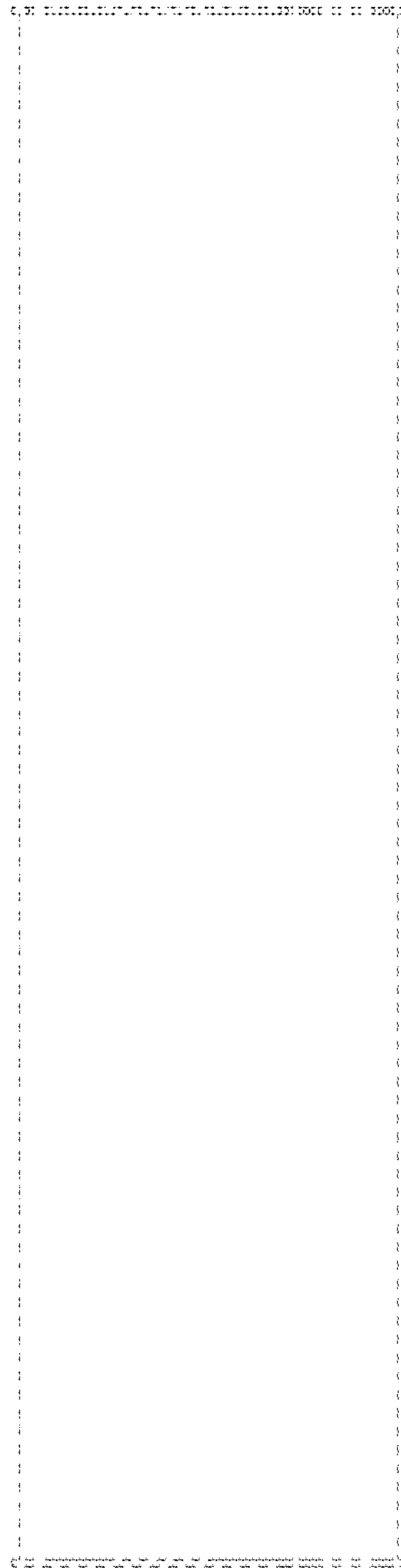


FIG. 3

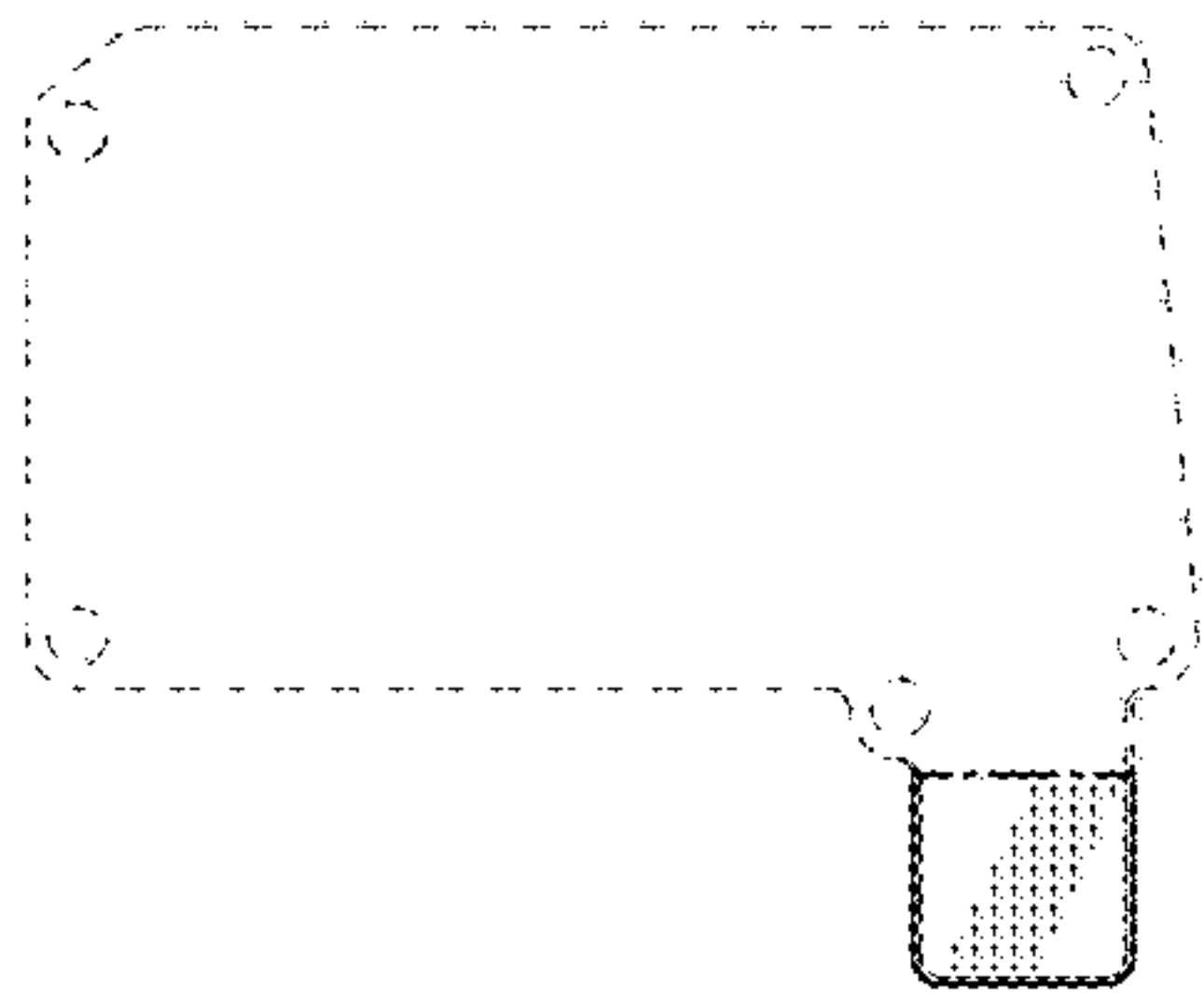


FIG. 4

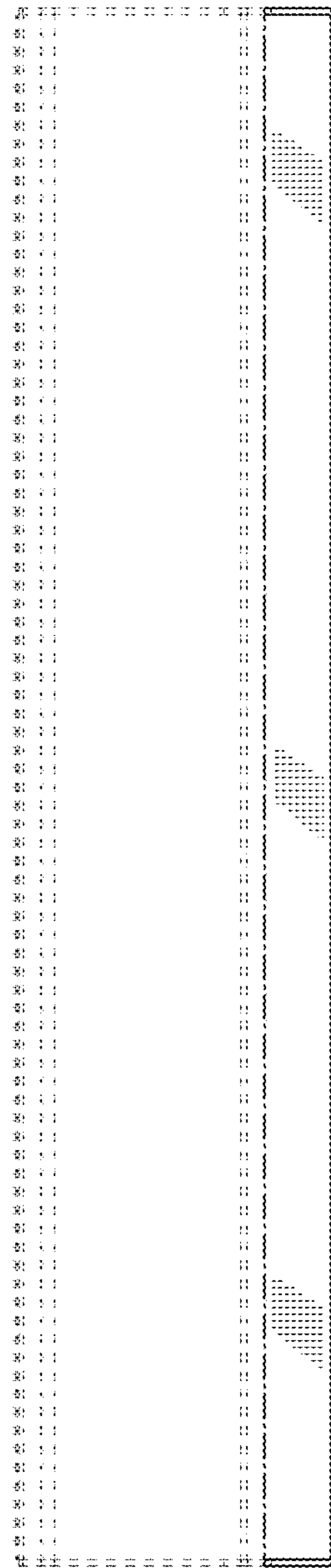


FIG. 5

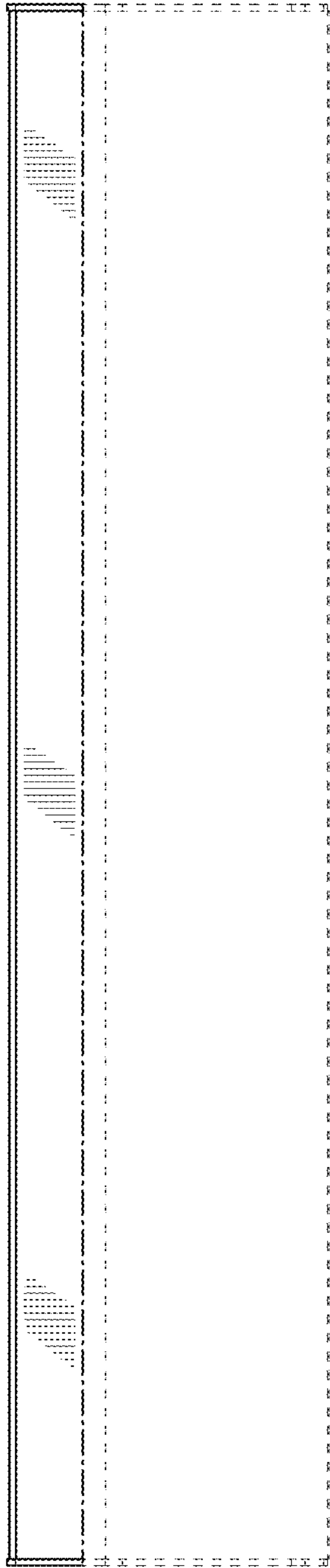


FIG. 6



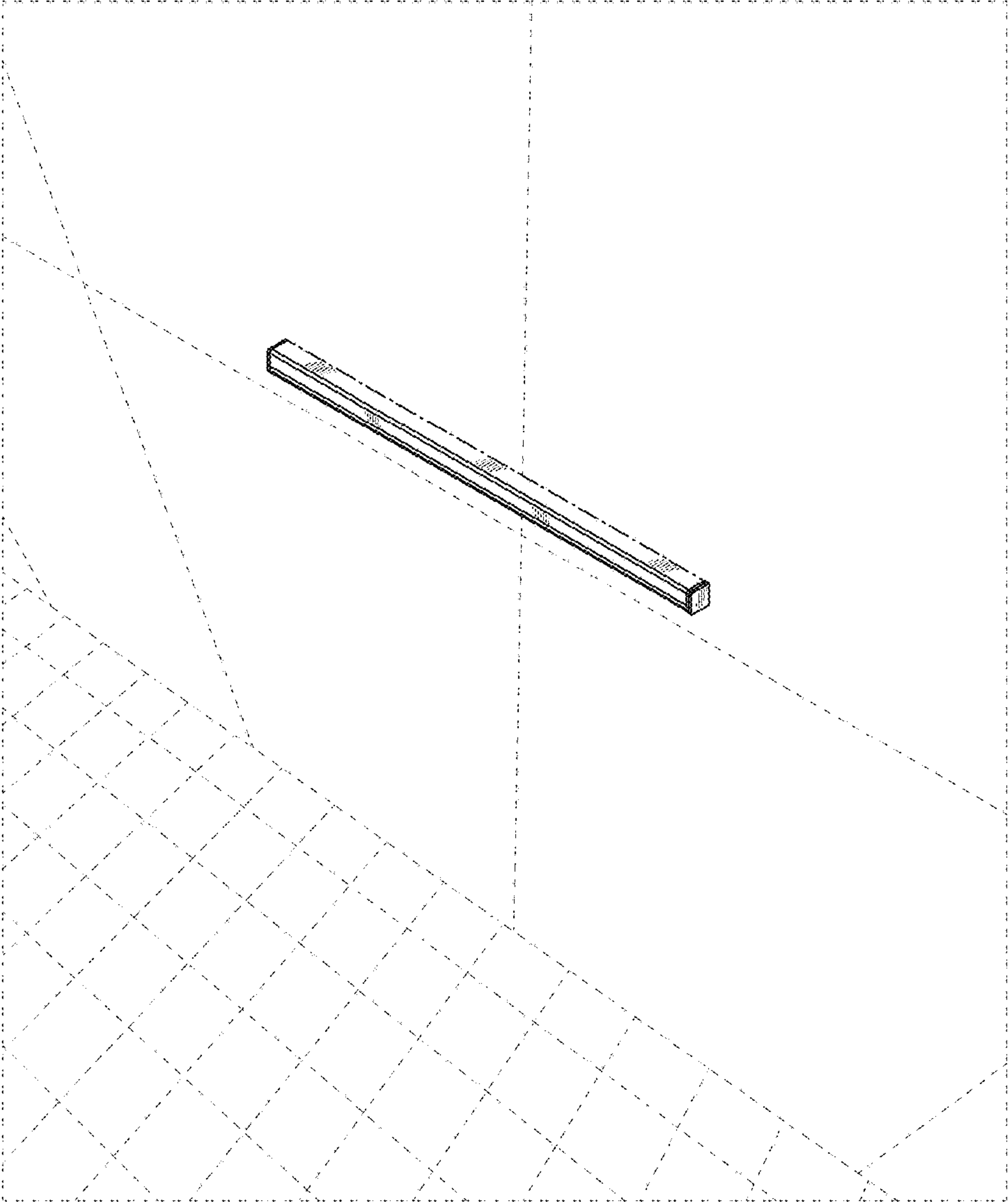


FIG. 7

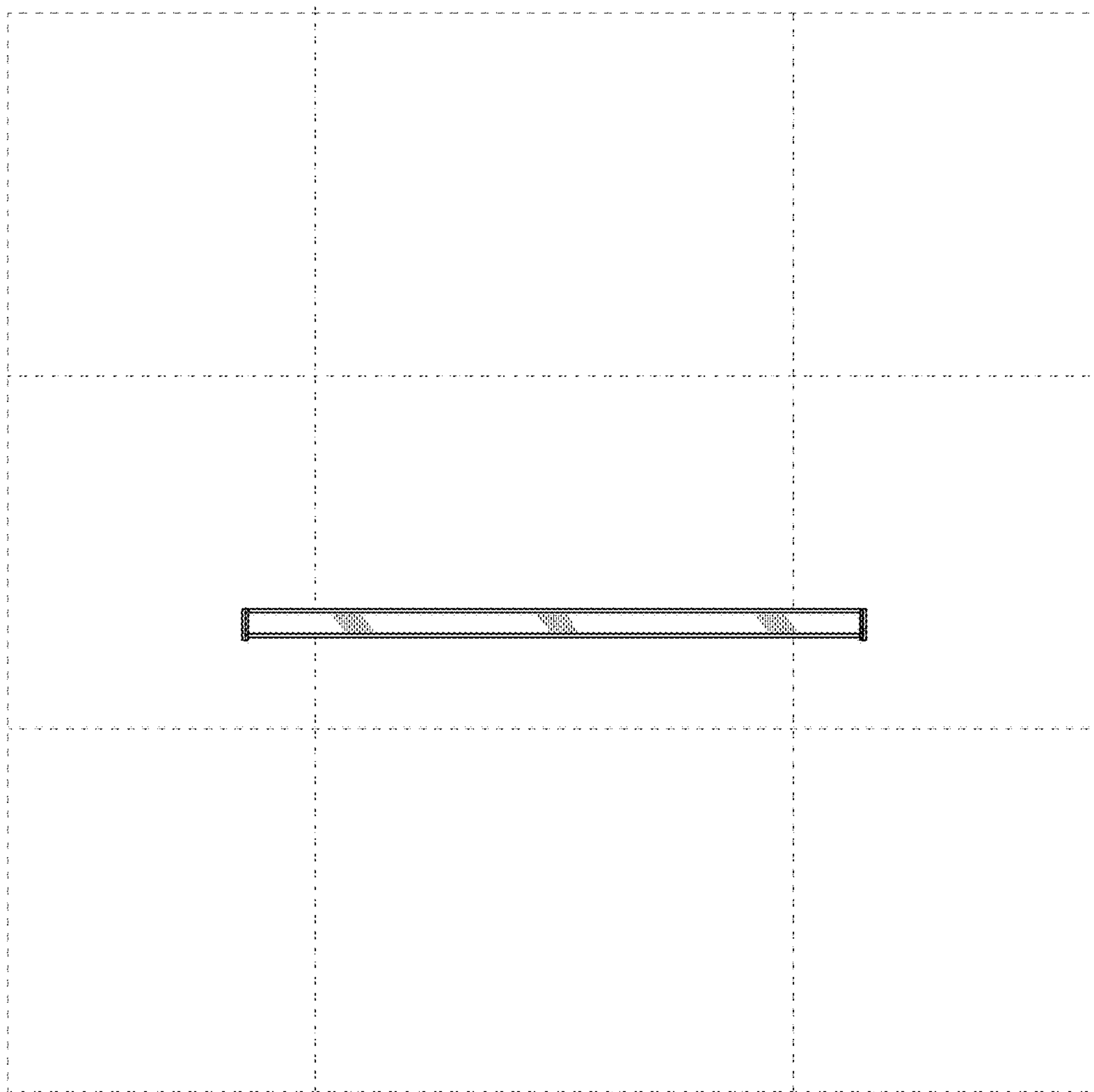


FIG. 8



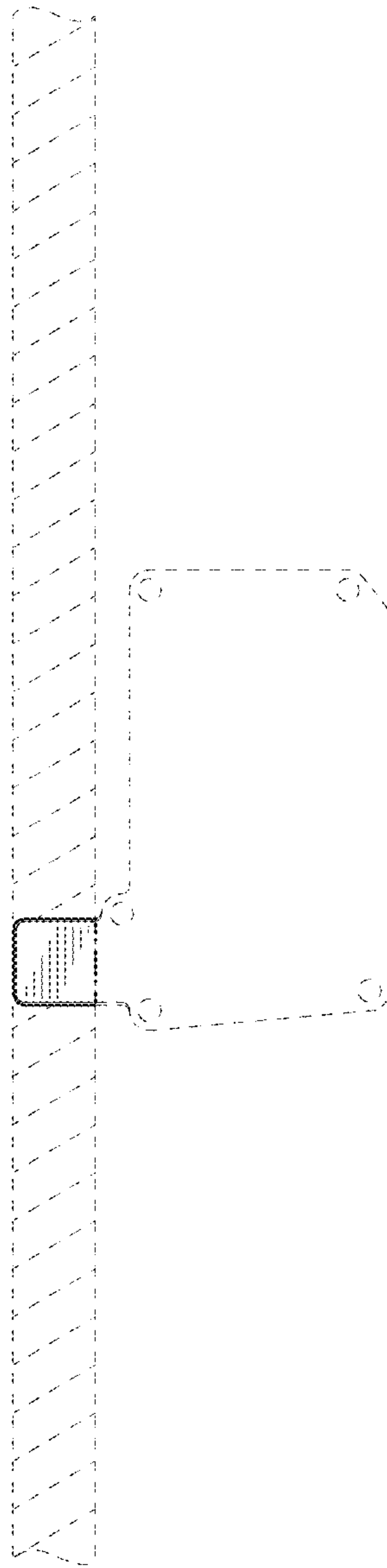


FIG. 9