



US00D815262S

(12) **United States Design Patent**
Bates et al.

(10) **Patent No.:** **US D815,262 S**
(45) **Date of Patent:** **** Apr. 10, 2018**

- (54) **TOILET**
- (71) Applicant: **Kohler Co.**, Kohler, WI (US)
- (72) Inventors: **Michael R. Bates**, Rogers, MN (US);
Shawn J. Booth, Sheboygan, WI (US);
Gary N. Clarke, Sheboygan, WI (US);
Robin A. Goad, Sheboygan, WI (US)
- (73) Assignee: **KOHLER CO.**, Kohler, WI (US)

- D532,875 S 11/2006 Kaule
- D558,313 S 12/2007 Igarashi et al.
- D558,863 S 1/2008 Taguchi
- D624,165 S 9/2010 Yokoyama et al.
- D639,399 S 6/2011 Takeuchi et al.
- D653,314 S 1/2012 Yoshioka
- D654,993 S 2/2012 Ando et al.
- D693,910 S 11/2013 Bates et al.
- D732,150 S 6/2015 Jung

- (**) Term: **15 Years**
- (21) Appl. No.: **29/618,826**
- (22) Filed: **Sep. 25, 2017**

Related U.S. Application Data

- (62) Division of application No. 29/596,238, filed on Mar. 7, 2017, now Pat. No. Des. 801,493, which is a division of application No. 29/568,257, filed on Jun. 16, 2016, now Pat. No. Des. 784,502, which is a division of application No. 29/544,837, filed on Nov. 6, 2015, now Pat. No. Des. 767,742.

- (51) **LOC (11) Cl.** **23-02**
- (52) **U.S. Cl.**
USPC **D23/313**
- (58) **Field of Classification Search**
USPC D23/295, 299-301, 303, 309, 313
CPC .. E03D 1/00; E03D 1/01; E03D 1/012; E03D
1/26; E03D 1/28
See application file for complete search history.

(56) **References Cited**

U.S. PATENT DOCUMENTS

- D397,214 S 8/1998 Felker
- D437,634 S 2/2001 Hundley
- D439,638 S 3/2001 Hundley
- D465,272 S 11/2002 Gordon

OTHER PUBLICATIONS

Kohler Fixture 2014 Price Book, wall-hung dual flush toilet K-6303, p. 315.
Kohler Fixture 2013 Price Book, K-3825 Gabrielle comfort height toilet with bidet functionality, p. 287.

Primary Examiner — Robert A Delehanty

(74) *Attorney, Agent, or Firm* — Foley & Lardner LLP

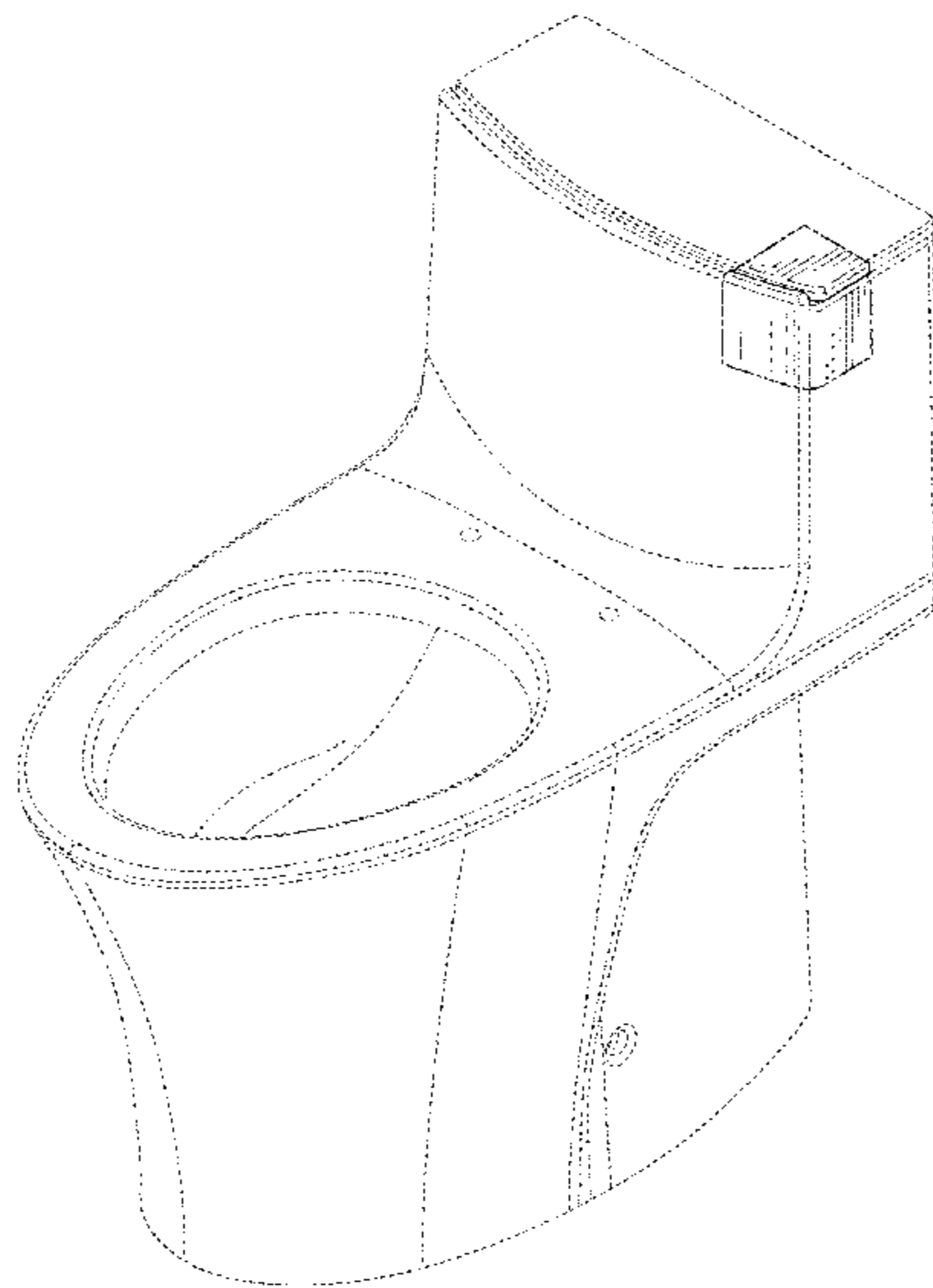
(57) **CLAIM**

We claim the ornamental design for a toilet, as shown and described.

DESCRIPTION

FIG. 1 is a perspective view of an embodiment of the claimed design;
FIG. 2 is a front view of the embodiment of FIG. 1;
FIG. 3 is a rear view of the embodiment of FIG. 1;
FIG. 4 is a side view of the embodiment of FIG. 1;
FIG. 5 is another side view of the embodiment of FIG. 1;
FIG. 6 is a top view of the embodiment of FIG. 1; and,
FIG. 7 is a bottom view of the embodiment of FIG. 1.
The ornamental design which is claimed is shown in solid lines in the drawings. The broken lines in the drawings form no part of the claimed design. Broken lines formed by equal length dashes show unclaimed subject matter. Broken lines formed of unequal length dashes (i.e., dash-dot) define bounds of the claimed design.

1 Claim, 7 Drawing Sheets



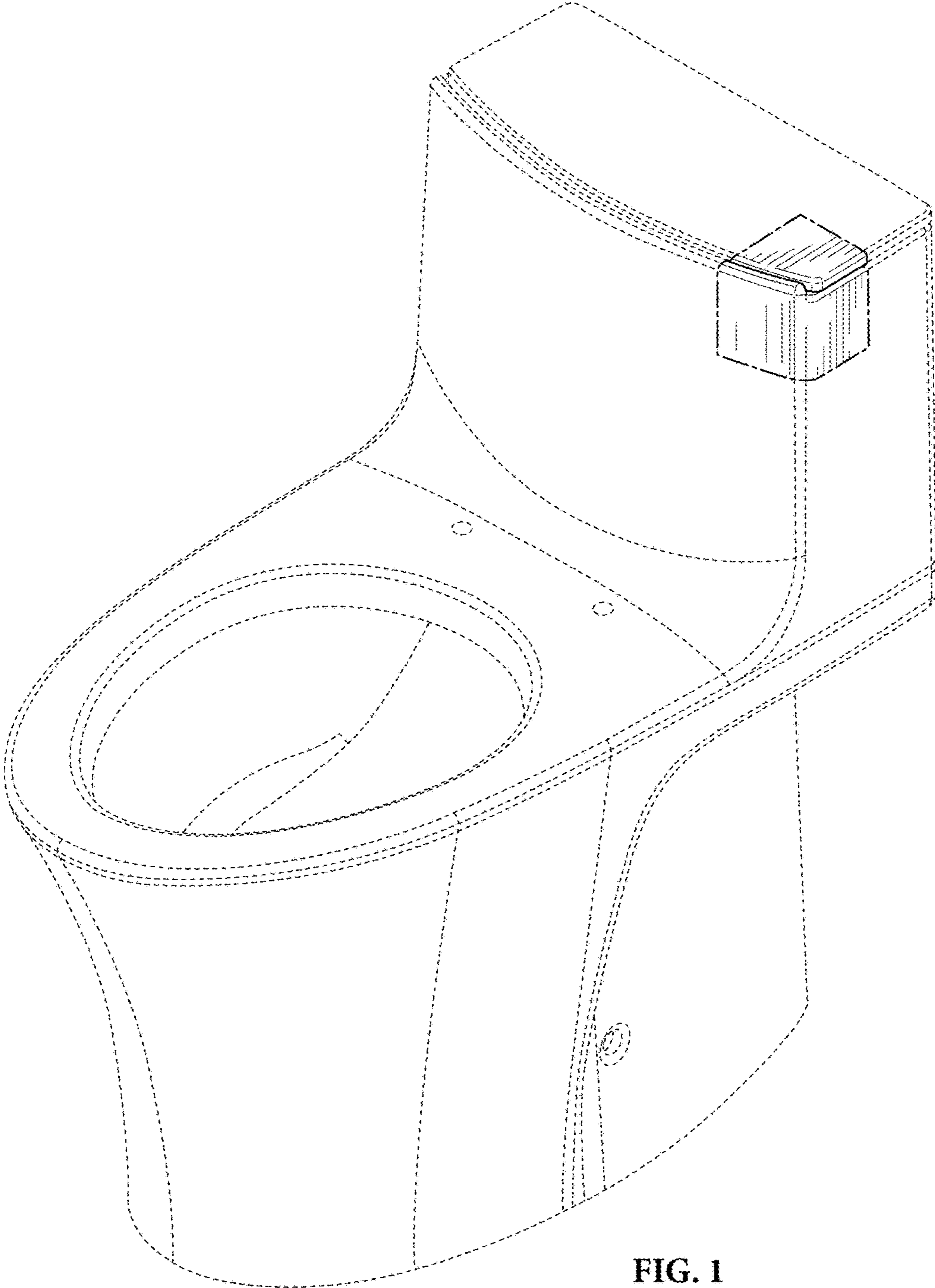


FIG. 1

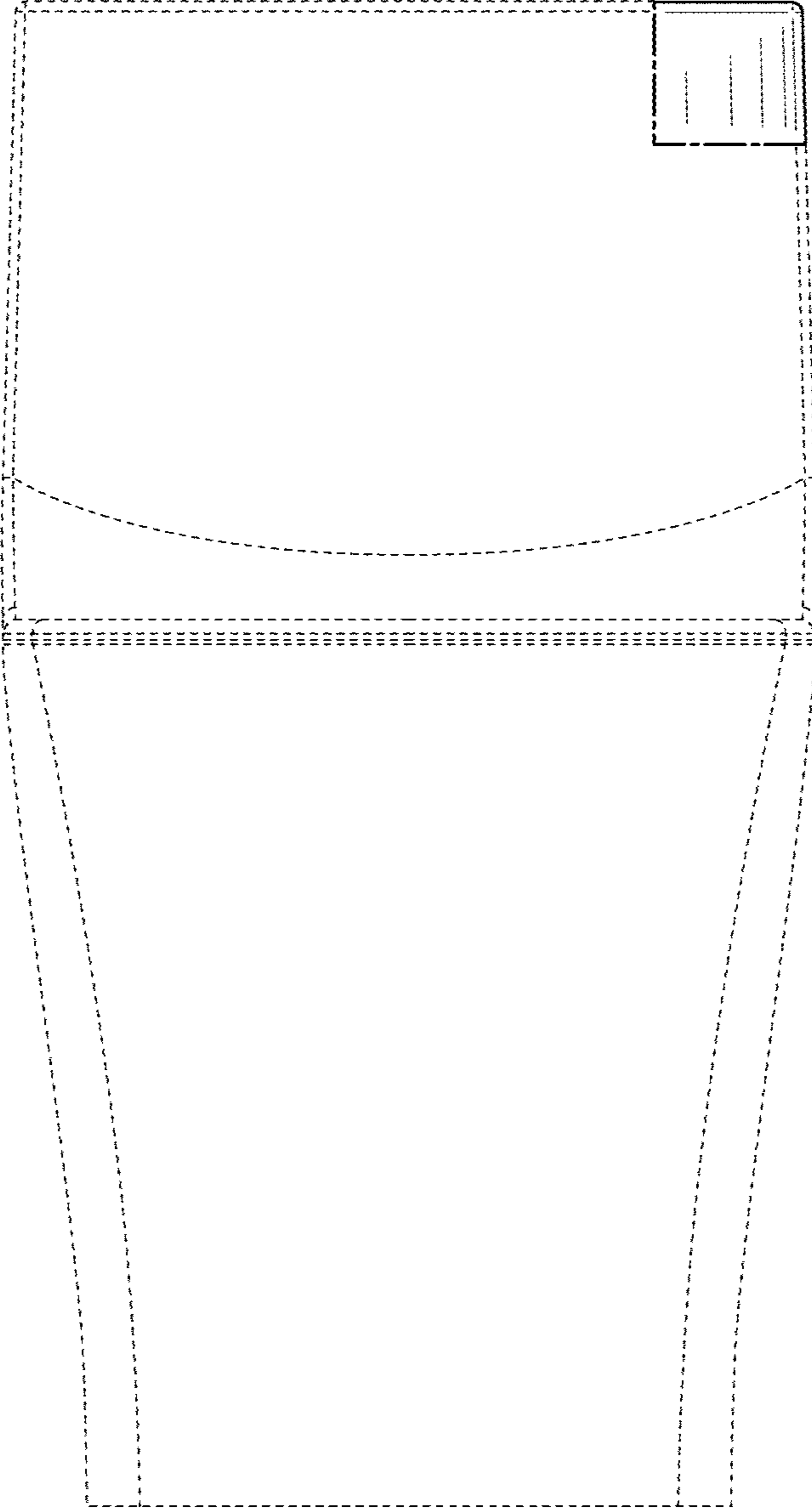


FIG. 2

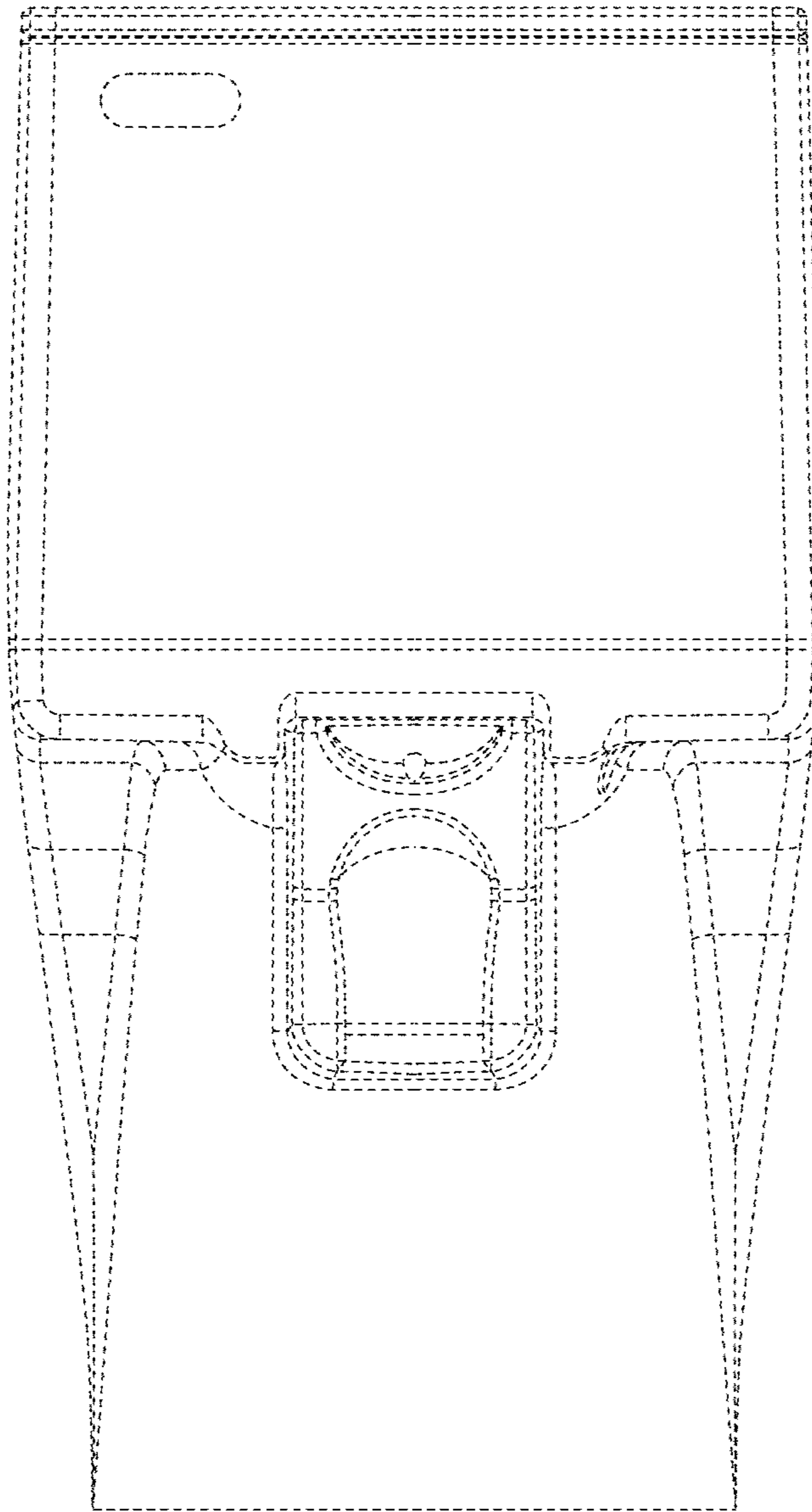


FIG. 3

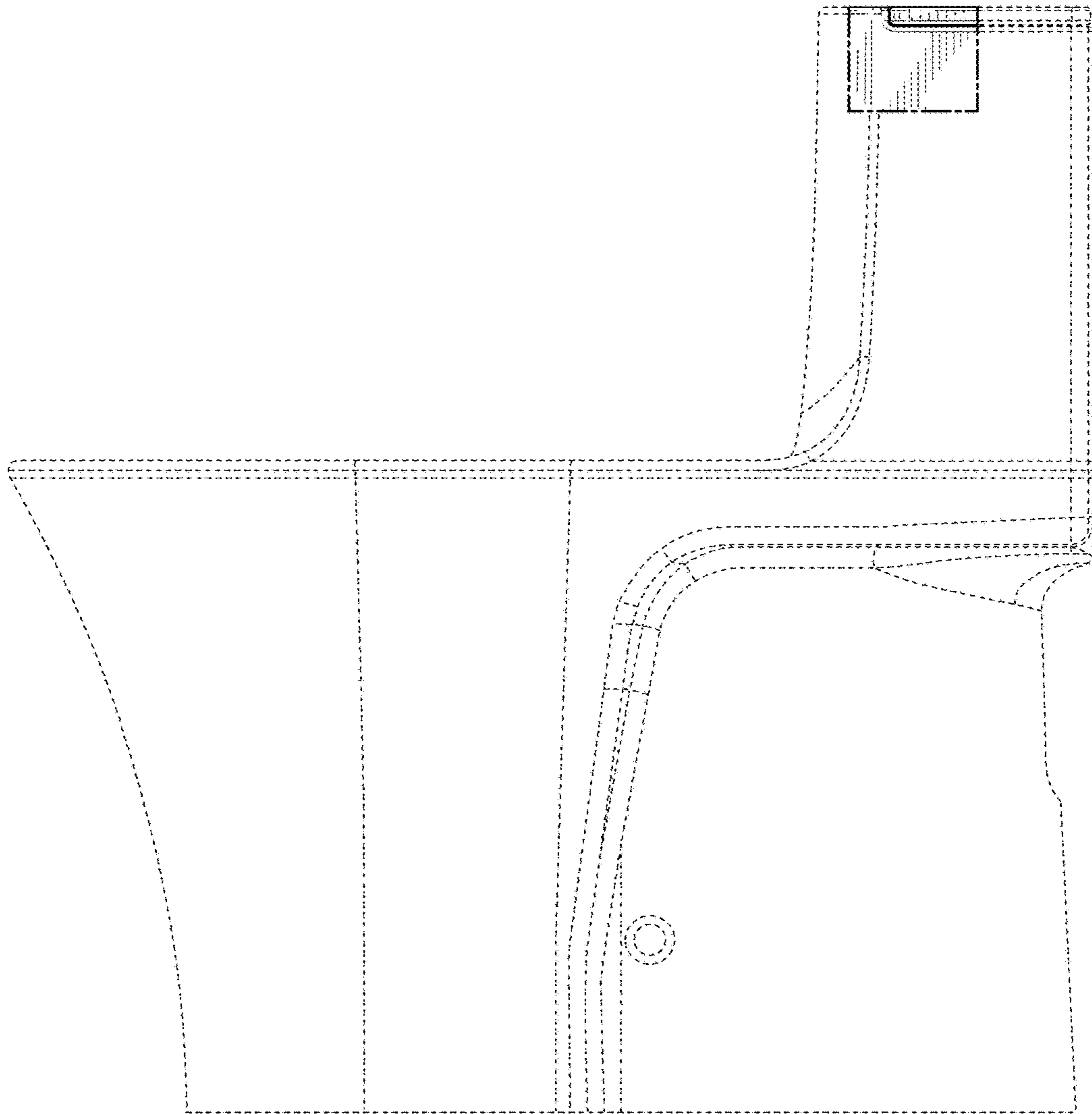


FIG. 4

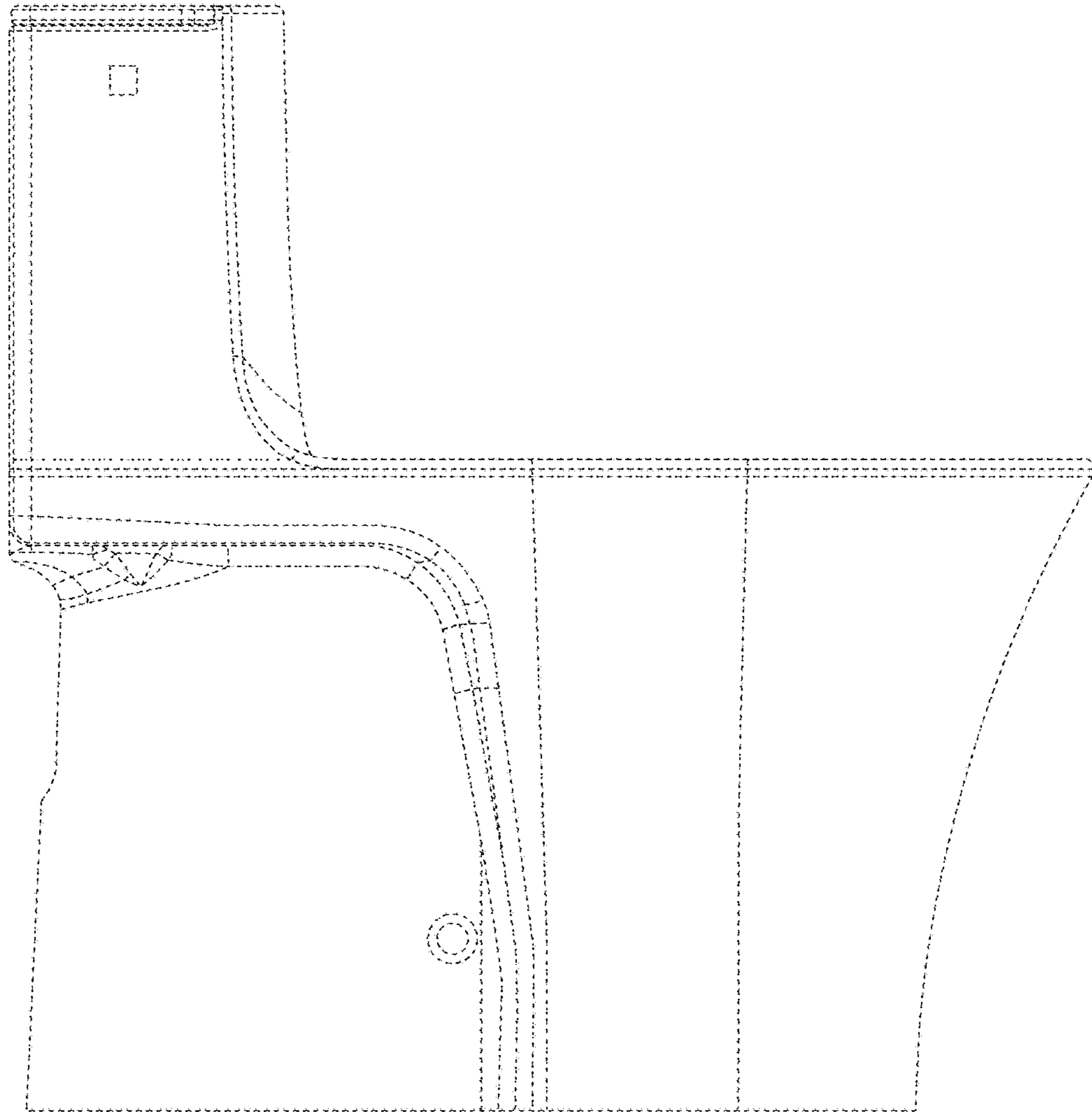


FIG. 5

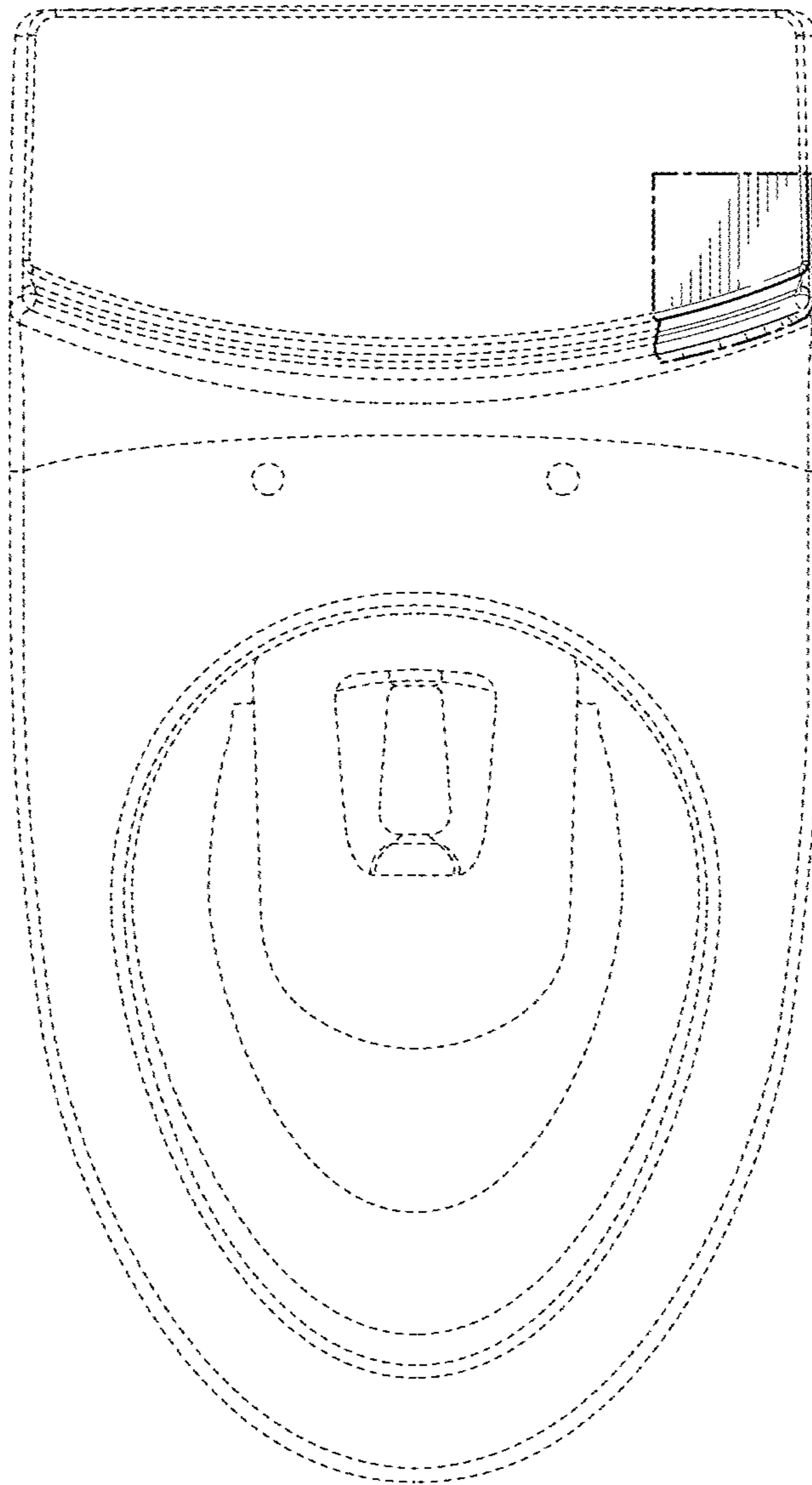


FIG. 6

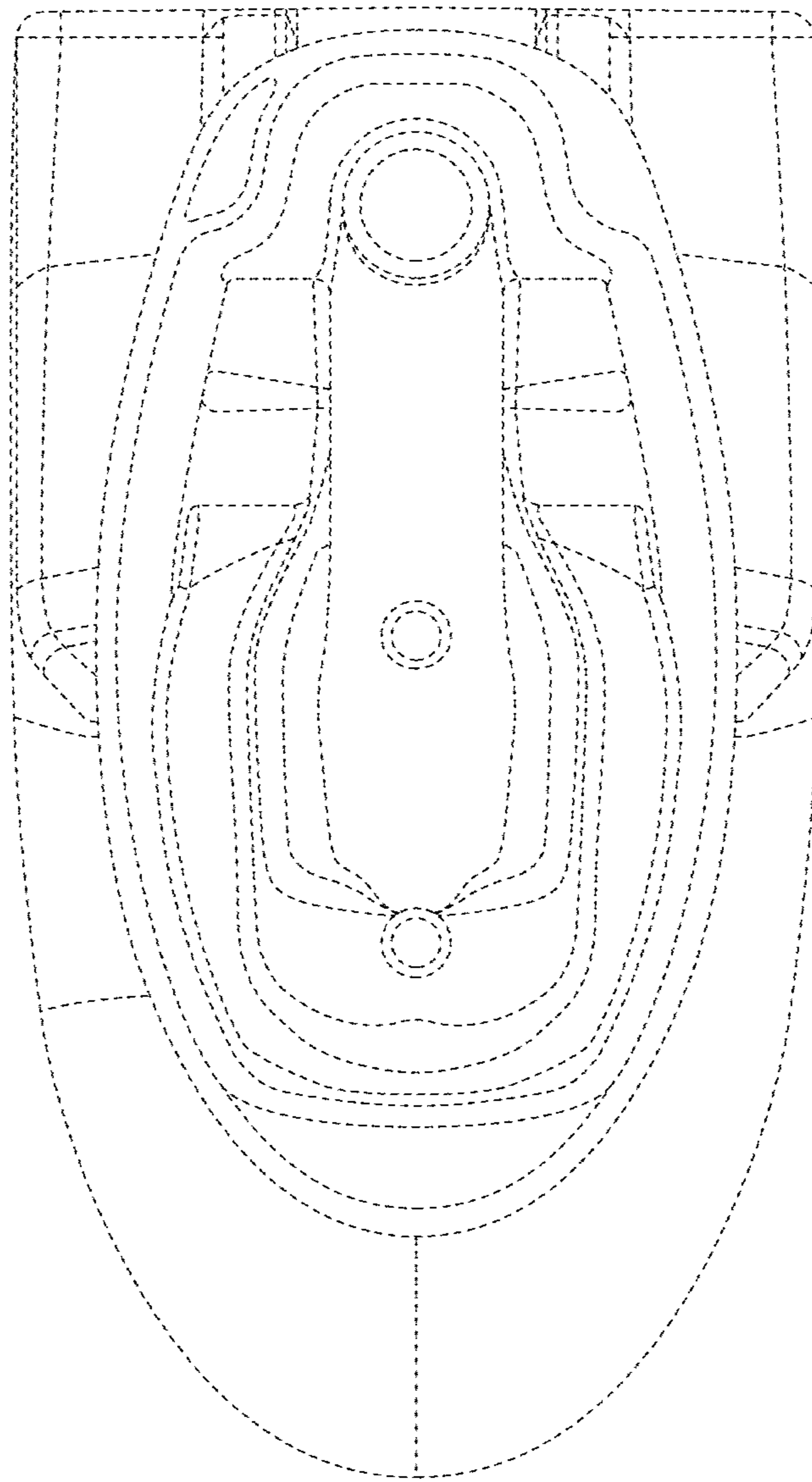


FIG. 7