



US00D815261S

(12) **United States Design Patent**  
**Yoshihara**

(10) **Patent No.:** **US D815,261 S**  
(45) **Date of Patent:** **\*\* Apr. 10, 2018**

- (54) **PLATE FOR WASHBASIN**
- (71) Applicant: **LIXIL Corporation**, Tokyo (JP)
- (72) Inventor: **Shinichiro Yoshihara**, Tokyo (JP)
- (73) Assignee: **Lixil Corporation**, Tokyo (JP)
- (\*\*) Term: **15 Years**
- (21) Appl. No.: **29/604,925**
- (22) Filed: **May 22, 2017**

(30) **Foreign Application Priority Data**

Nov. 21, 2016 (JP) ..... 2016-025319

(51) **LOC (11) Cl.** ..... **23-02**

(52) **U.S. Cl.**  
USPC ..... **D23/308**

(58) **Field of Classification Search**  
USPC ..... D23/284–293.1, 303, 308; D6/329, 573,  
D6/657, 663–666, 671, 671.1, 671.4  
CPC ..... A47K 1/04; A47B 77/06; A47J 47/20  
See application file for complete search history.

(56) **References Cited**

**U.S. PATENT DOCUMENTS**

- 914,120 A \* 3/1909 Demarest ..... E03C 1/186  
4/638
- 4,456,021 A \* 6/1984 Leavens ..... E03C 1/182  
134/115 R
- D415,661 S \* 10/1999 Georgeovich ..... D7/698
- D418,909 S \* 1/2000 Mockett ..... D23/308
- D421,490 S \* 3/2000 Talerico ..... D23/267
- D449,875 S \* 10/2001 Fludd-Robinson ... A47J 47/005  
D23/287
- D469,524 S \* 1/2003 Roberts ..... D23/308

- D517,670 S \* 3/2006 Rocci ..... D23/308
- 7,086,099 B2 \* 8/2006 Rocci ..... E03C 1/186  
4/656
- D615,174 S \* 5/2010 Archiutti ..... D23/303
- D619,682 S \* 7/2010 Bouroullec ..... D23/284
- D619,683 S \* 7/2010 Bouroullec ..... D23/284
- D793,184 S \* 8/2017 Lammel ..... D7/698

\* cited by examiner

*Primary Examiner* — Robert M. Spear

*Assistant Examiner* — John A Voytek

(74) *Attorney, Agent, or Firm* — Muncy, Geissler, Olds & Lowe, P.C.

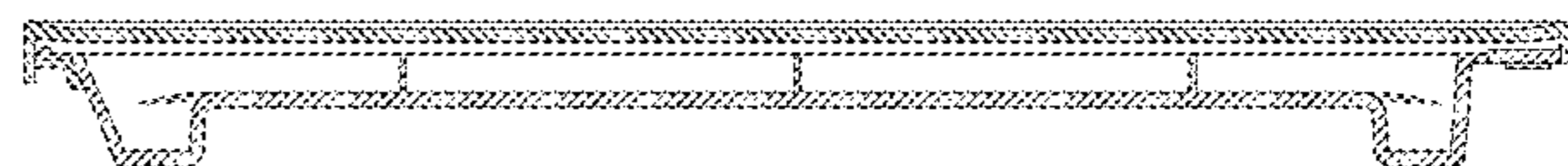
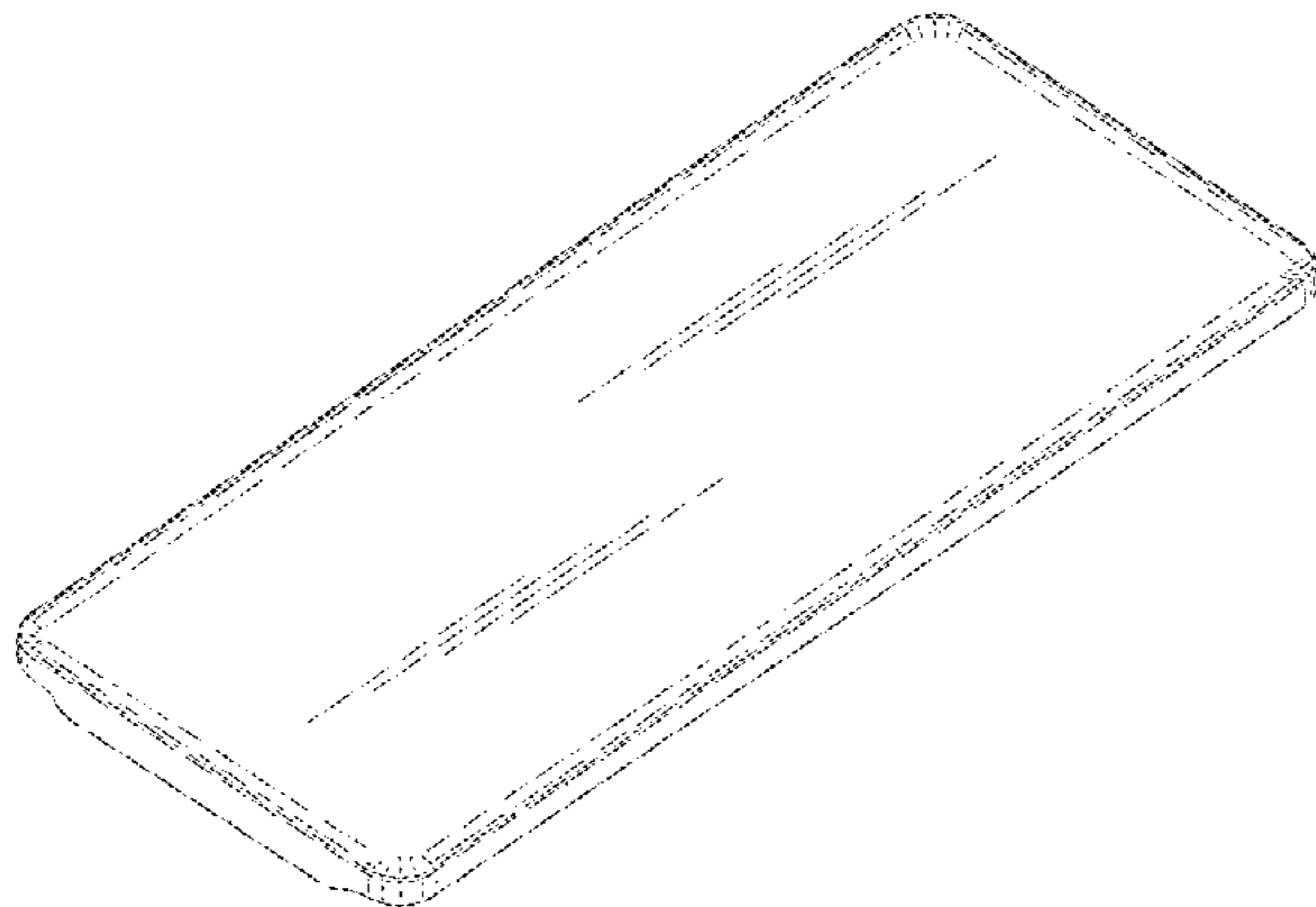
(57) **CLAIM**

The ornamental design for a plate for a washbasin, as shown and described.

**DESCRIPTION**

FIG. 1 is a top, front perspective view of a plate for a washbasin showing my new design;  
 FIG. 2 is a front elevational view thereof;  
 FIG. 3 is a rear elevational view thereof;  
 FIG. 4 is a right side view thereof;  
 FIG. 5 is a left side view thereof;  
 FIG. 6 is a top plan view thereof;  
 FIG. 7 is a bottom plan view thereof;  
 FIG. 8 is a cross-sectional view taken along line 8-8 of FIG. 6;  
 FIG. 9 is a cross-sectional view taken along line 9-9 of FIG. 6; and,  
 FIG. 10 is a perspective view of the plate for a washbasin in use.  
 The broken lines illustrate environmental structure which forms no part of the claimed design.

**1 Claim, 10 Drawing Sheets**



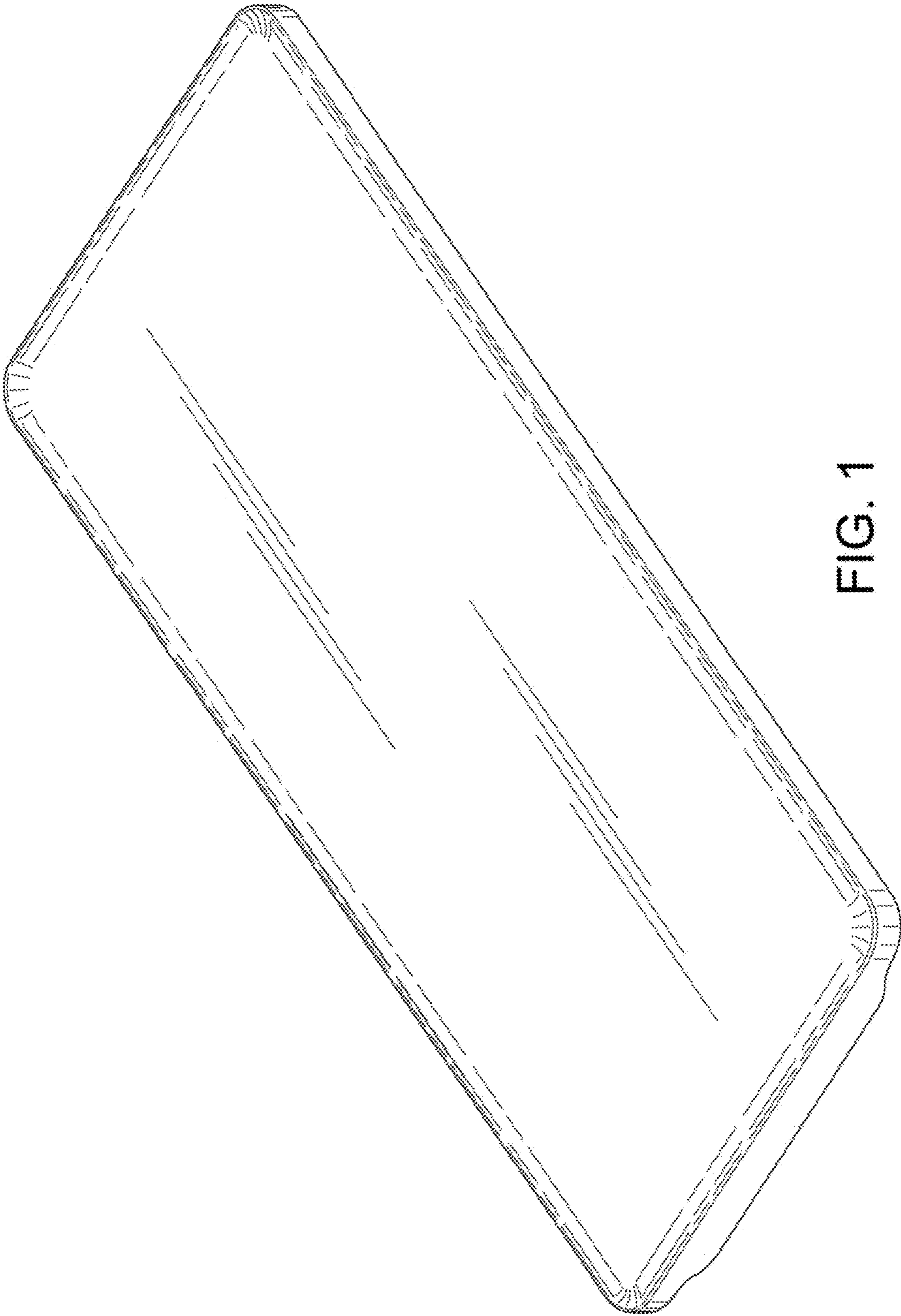


FIG. 1

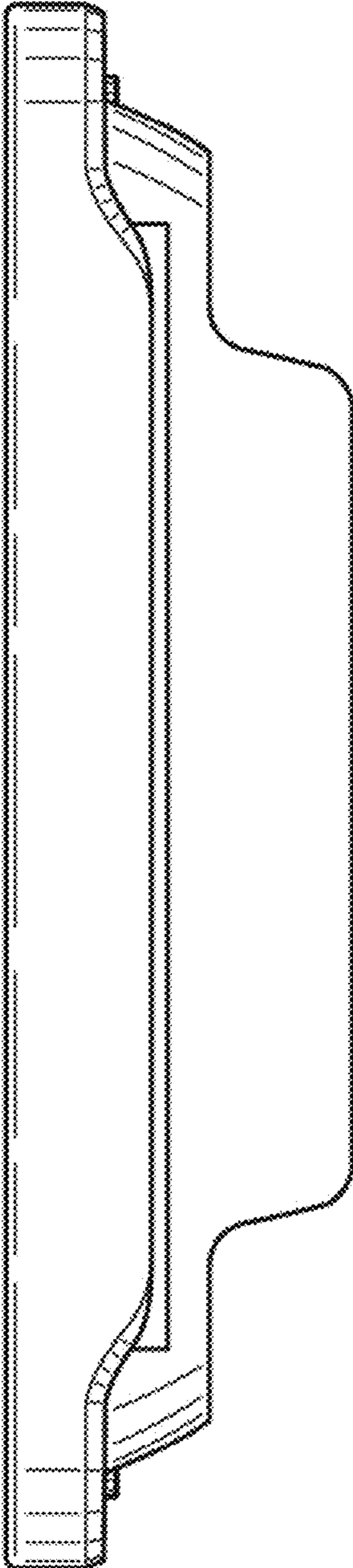


FIG. 2

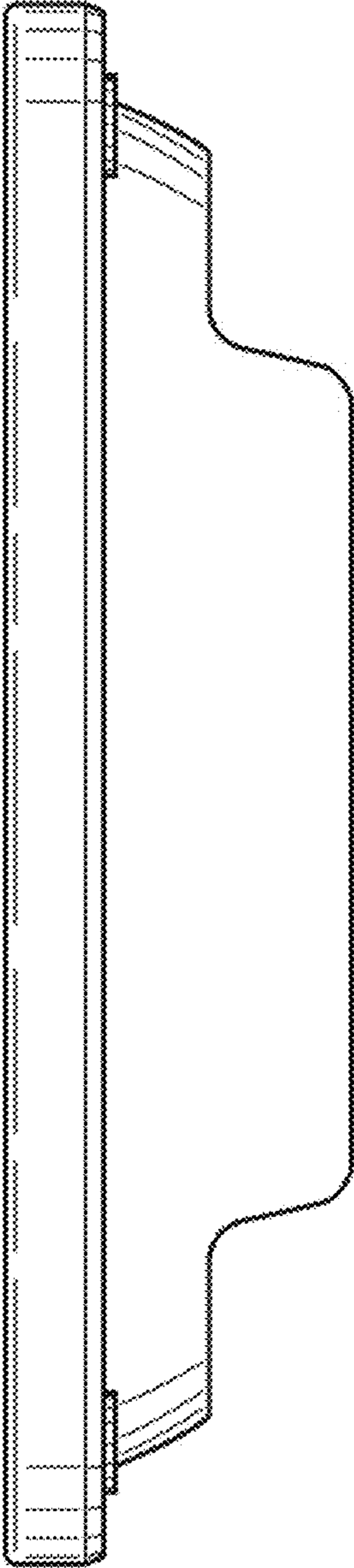


FIG. 3

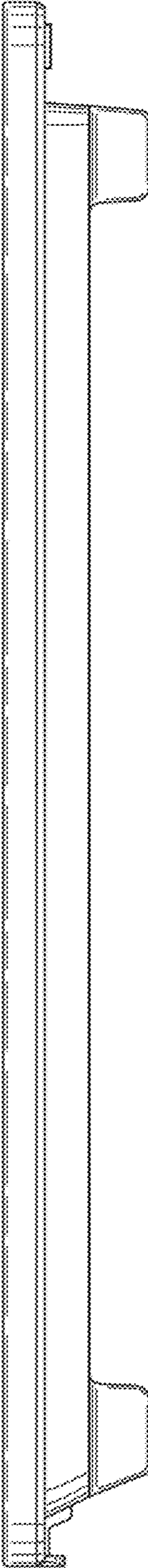


FIG. 4

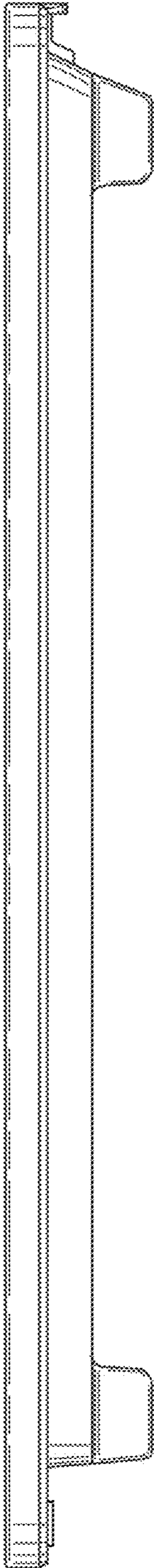


FIG. 5

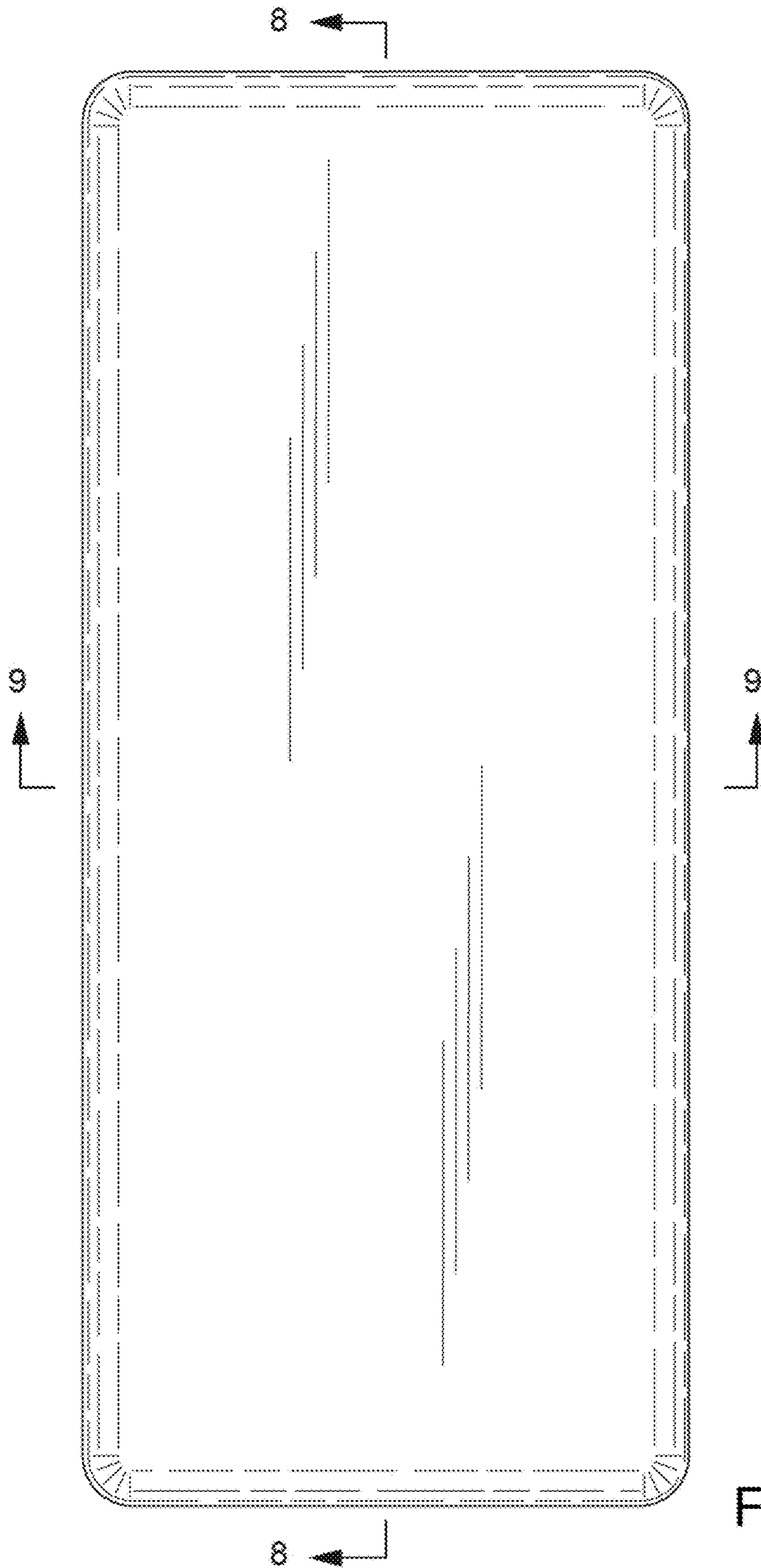


FIG. 6

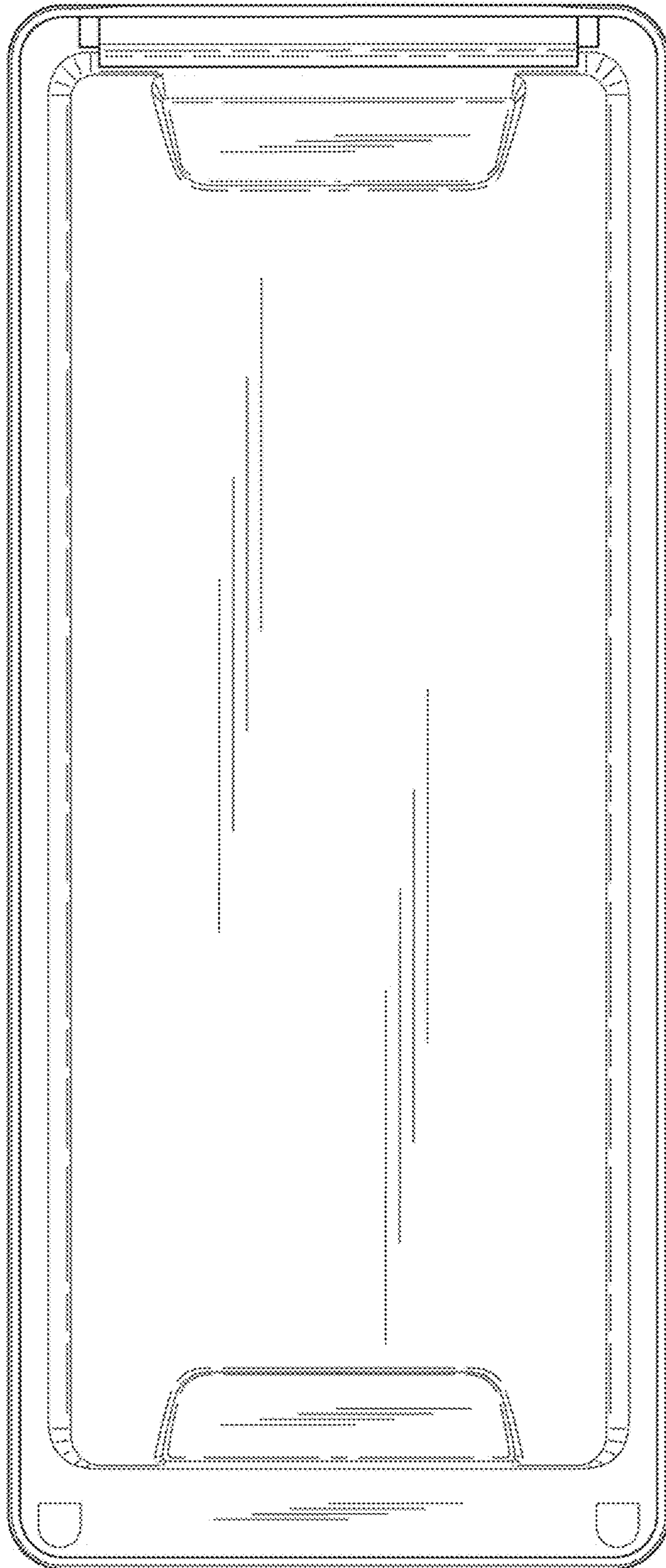


FIG. 7



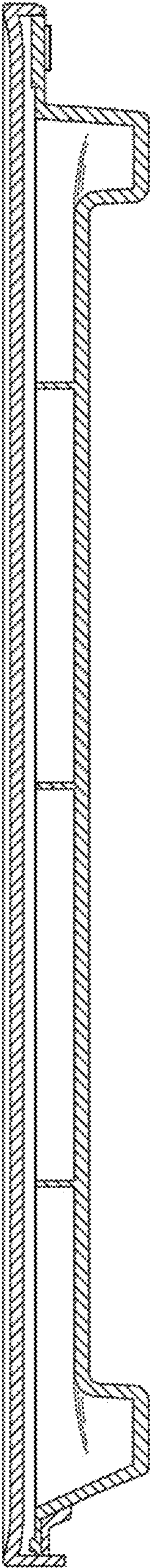


FIG. 8

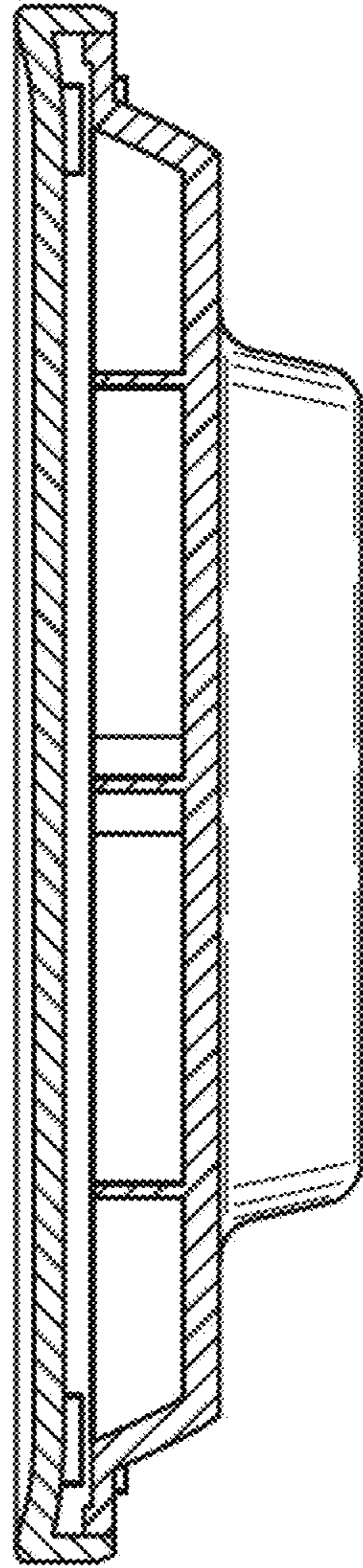


FIG. 9

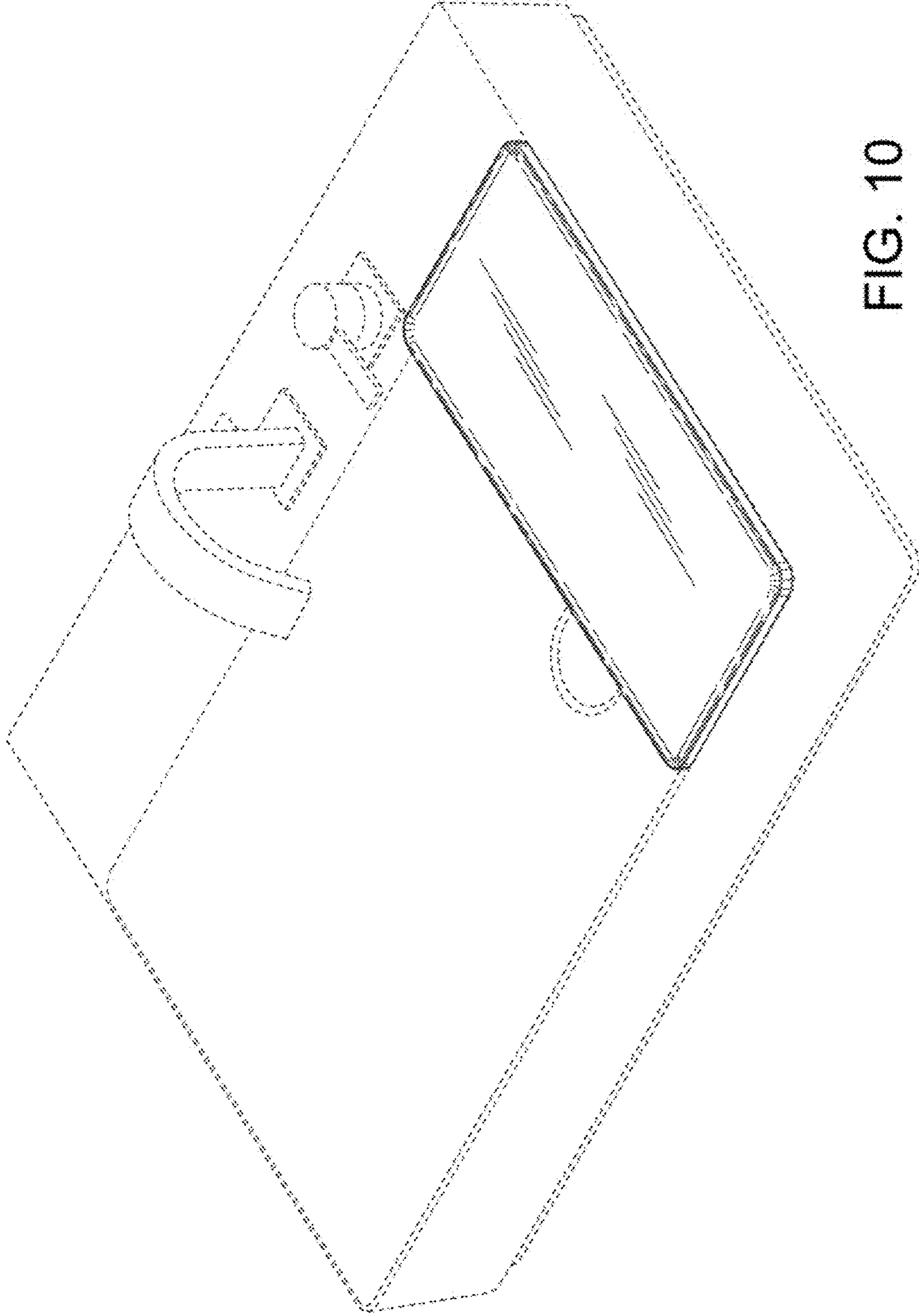


FIG. 10