



US00D815259S

(12) **United States Design Patent** (10) **Patent No.:** **US D815,259 S**
Moller et al. (45) **Date of Patent:** **** Apr. 10, 2018**

(54) **SINK**

(71) Applicant: **Kohler Co.**, Kohler, WI (US)

(72) Inventors: **Adam M. Moller**, Sheboygan, WI (US); **Roque M. Corpuz, Jr.**, Sheboygan, WI (US); **Eden Taylor**, Milwaukee, WI (US); **Dongha Lee**, Sheboygan, WI (US)

(73) Assignee: **KOHLER CO.**, Kohler, WI (US)

(**) Term: **15 Years**

(21) Appl. No.: **29/595,280**

(22) Filed: **Feb. 27, 2017**

(51) **LOC (11) Cl.** **23-02**

(52) **U.S. Cl.**
USPC **D23/284**

(58) **Field of Classification Search**
USPC D23/284-293.1, 303, 308; D6/329, 573, D6/657, 663-666, 671, 671.1, 671.4
(Continued)

(56) **References Cited**

U.S. PATENT DOCUMENTS

D398,971 S * 9/1998 McKeone D23/293.1
D530,409 S 10/2006 Sutopo
(Continued)

OTHER PUBLICATIONS

Kohler Fixture 2016 Price Book, pp. 255-263 and 271-311.

Primary Examiner — Robert M. Spear

Assistant Examiner — John A Voytek

(74) *Attorney, Agent, or Firm* — Foley & Lardner LLP

(57) **CLAIM**

We claim the ornamental design for a sink, as shown and described.

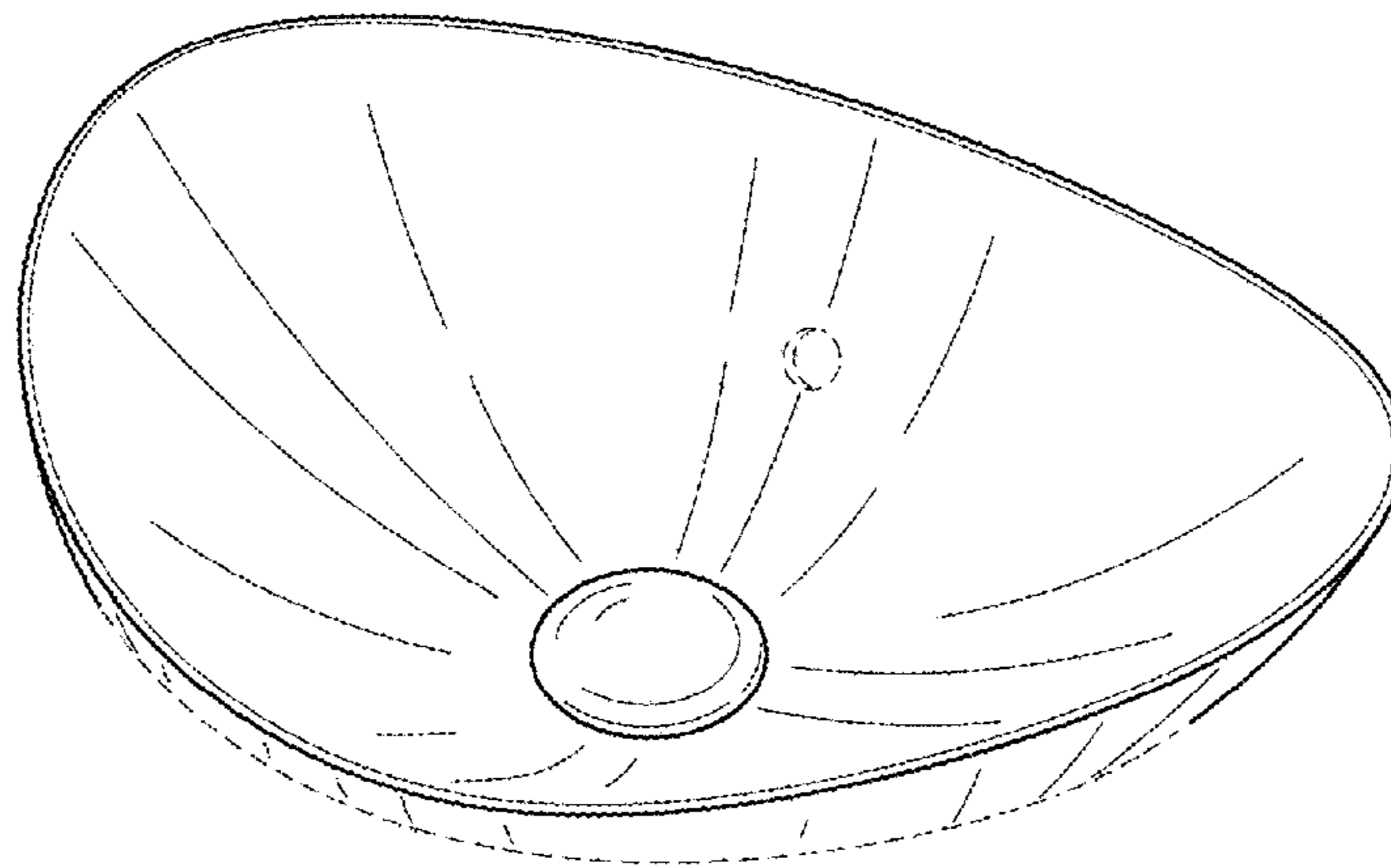
DESCRIPTION

FIG. 1 is a perspective view of an embodiment of the claimed design;

FIG. 2 is a front view of the design shown in FIG. 1; FIG. 3 is a top view of the design shown in FIG. 1; FIG. 4 is a bottom view of the design shown in FIG. 1; FIG. 5 is a side view of the design shown in FIG. 1; FIG. 6 is another side view of the design shown in FIG. 1; FIG. 7 is a perspective view of another embodiment of the claimed design; FIG. 8 is a front view of the design shown in FIG. 7; FIG. 9 is a top view of the design shown in FIG. 7; FIG. 10 is a bottom view of the design shown in FIG. 7; FIG. 11 is a side view of the design shown in FIG. 7; FIG. 12 is another side view of the design shown in FIG. 7; FIG. 13 is a perspective view of another embodiment of the claimed design; FIG. 14 is a front view of the design shown in FIG. 13; FIG. 15 is a top view of the design shown in FIG. 13; FIG. 16 is a cross-sectional view of the design shown in FIG. 13 taken along line 16-16 in FIG. 15; FIG. 17 is a cross-sectional view of the design shown in FIG. 13 taken along line 17-17 in FIG. 15; FIG. 18 is a cross-sectional view of the design shown in FIG. 13 taken along line 18-18 in FIG. 15; FIG. 19 is a cross-sectional view of the design shown in FIG. 13 taken along line 19-19 in FIG. 15; FIG. 20 is a perspective view of another embodiment of the claimed design; FIG. 21 is a front view of the design shown in FIG. 20; FIG. 22 is a rear view of the design shown in FIG. 20; FIG. 23 is a side view of the design shown in FIG. 20; FIG. 24 is another side view of the design shown in FIG. 20; FIG. 25 is a top view of the design shown in FIG. 20; FIG. 26 is a bottom view of the design shown in FIG. 20; FIG. 27 is a cross-sectional view of the design shown in FIG. 20 taken along line 27-27 in FIG. 25; FIG. 28 is a cross-sectional view of the design shown in FIG. 20 taken along line 28-28 in FIG. 25; FIG. 29 is a cross-sectional view of the design shown in FIG. 20 taken along line 29-29 in FIG. 25; and, FIG. 30 is a cross-sectional view of the design shown in FIG. 20 taken along line 30-30 in FIG. 25.

The ornamental design which is claimed is shown in solid lines in the drawings. The broken lines in the drawings are for illustrative purposes only and form no part of the claimed design. Broken lines formed by equal length dashes (i.e.,

(Continued)



dash-dash) show unclaimed portions of the design. Broken lines formed of unequal length dashes (i.e., dash-dot) show unclaimed boundaries between claimed and unclaimed portions of the design.

1 Claim, 15 Drawing Sheets

(58) **Field of Classification Search**

CPC A47K 1/04; A47B 77/06; A47J 47/20

See application file for complete search history.

(56)

References Cited

U.S. PATENT DOCUMENTS

D538,903 S	3/2007	Paterson	
D538,904 S *	3/2007	Kakihana	D23/293.1
D600,332 S *	9/2009	Hanna	D23/284
D635,227 S *	3/2011	DuFour	D23/284
D635,229 S *	3/2011	DuFour	D23/293.1
D656,593 S *	3/2012	Stauffer	D23/293.1
D724,710 S *	3/2015	Clarke	D23/293.1
D746,961 S *	1/2016	Clarke	D23/293.1
D762,827 S	8/2016	Clarke et al.	
D789,500 S *	6/2017	Becker	D23/293.1

* cited by examiner

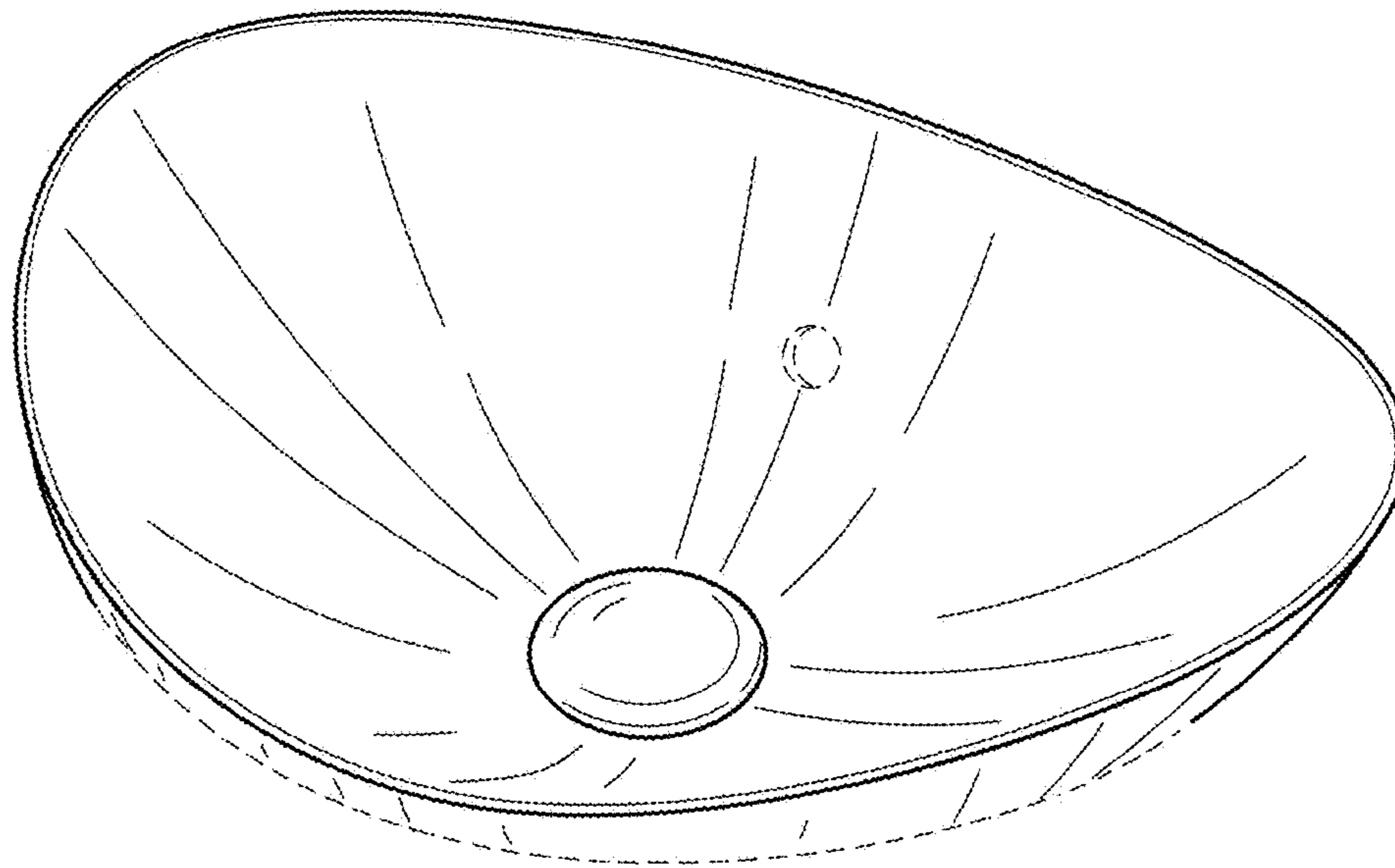


FIG. 1

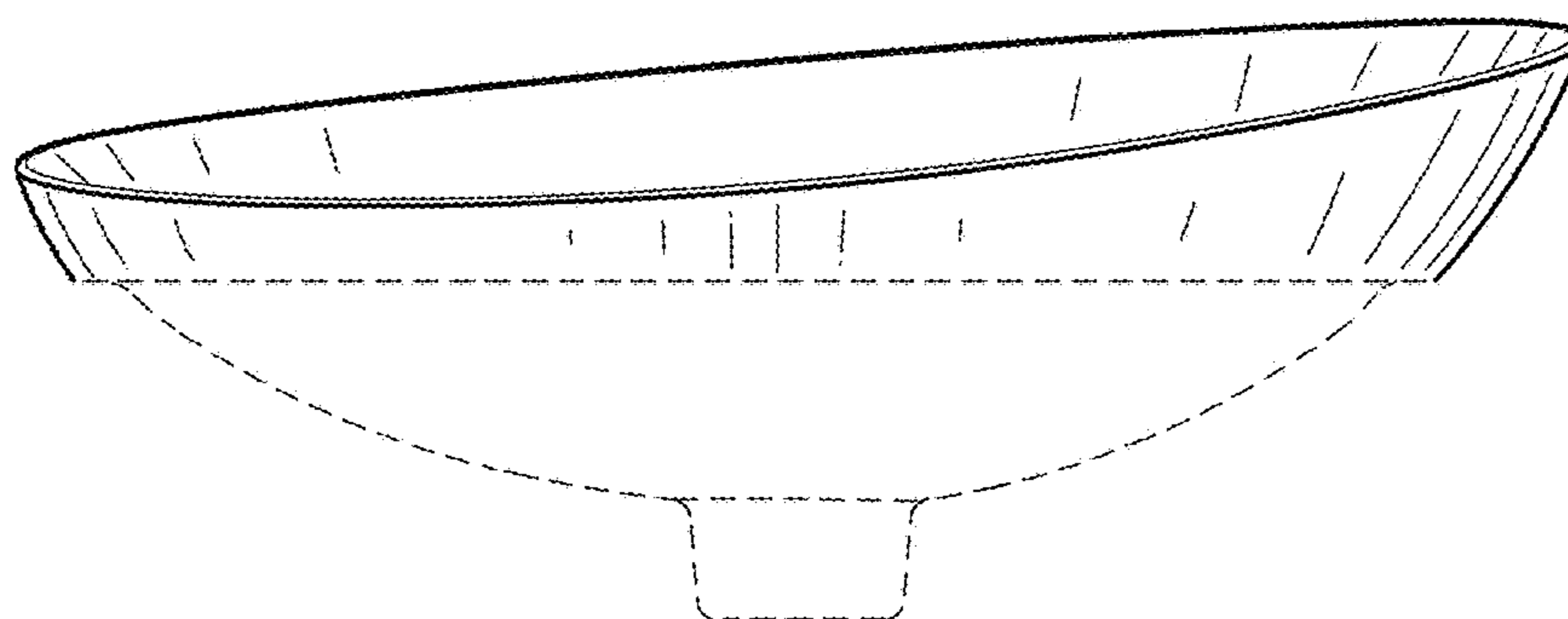


FIG. 2

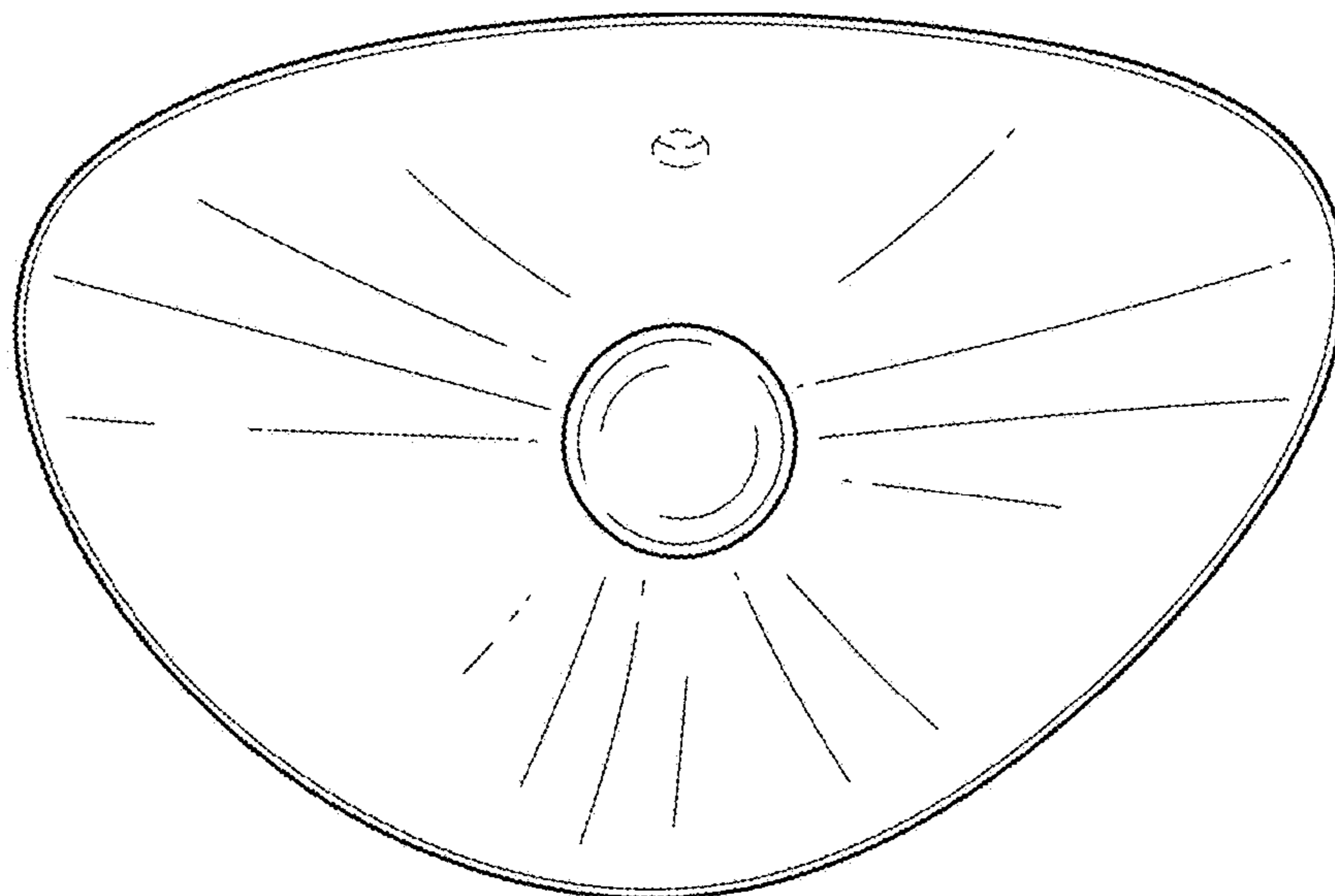


FIG. 3

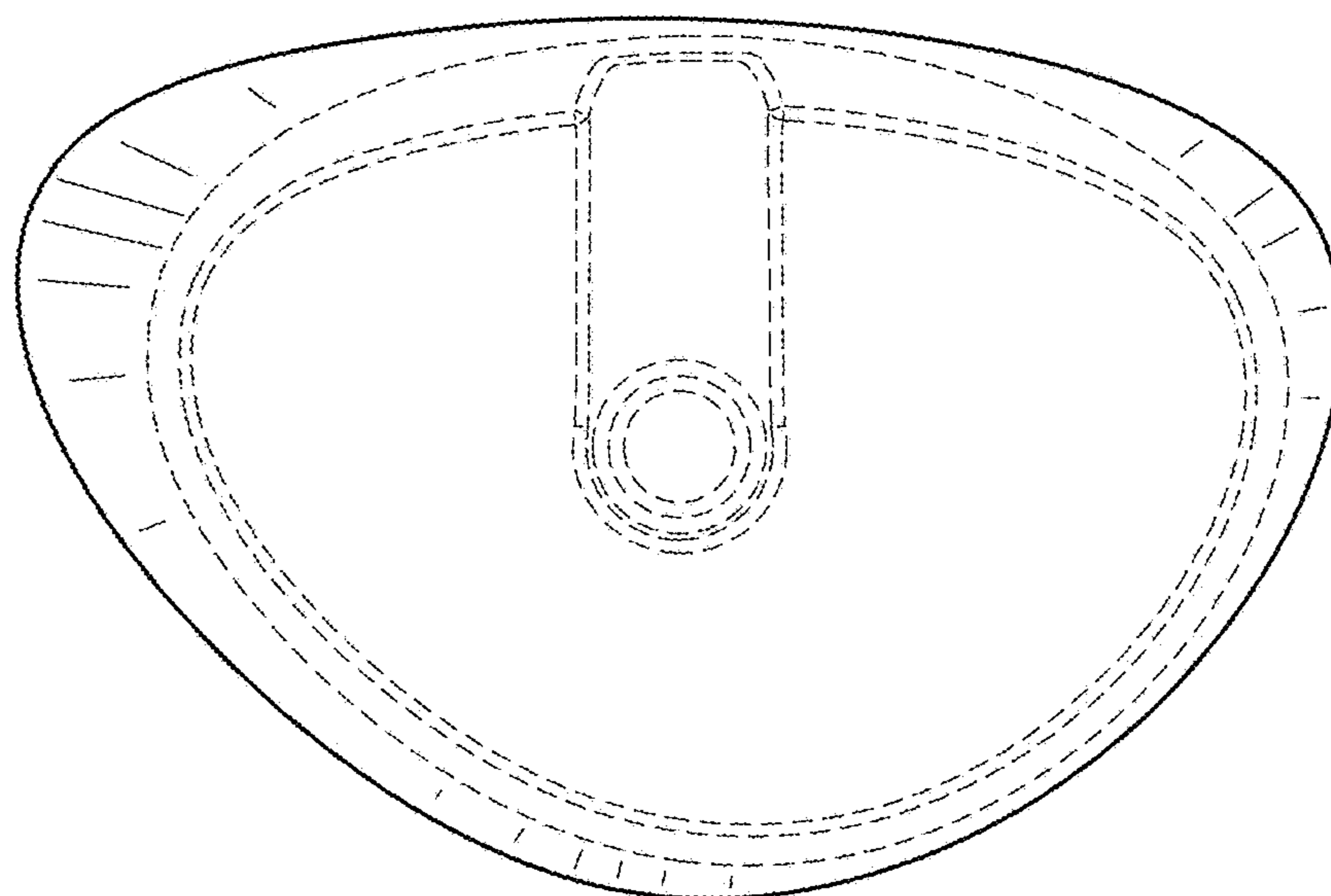


FIG. 4

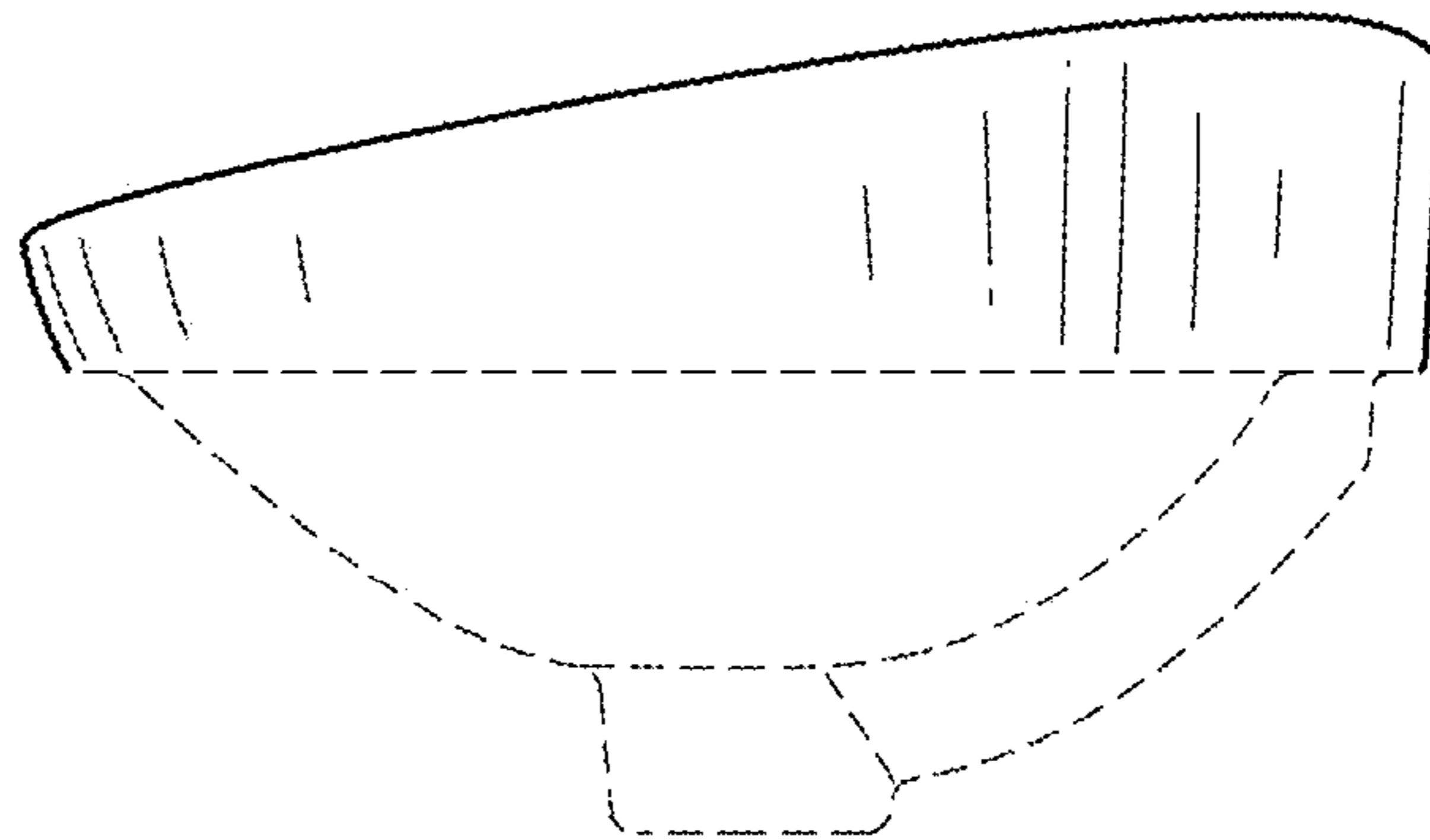


FIG. 5

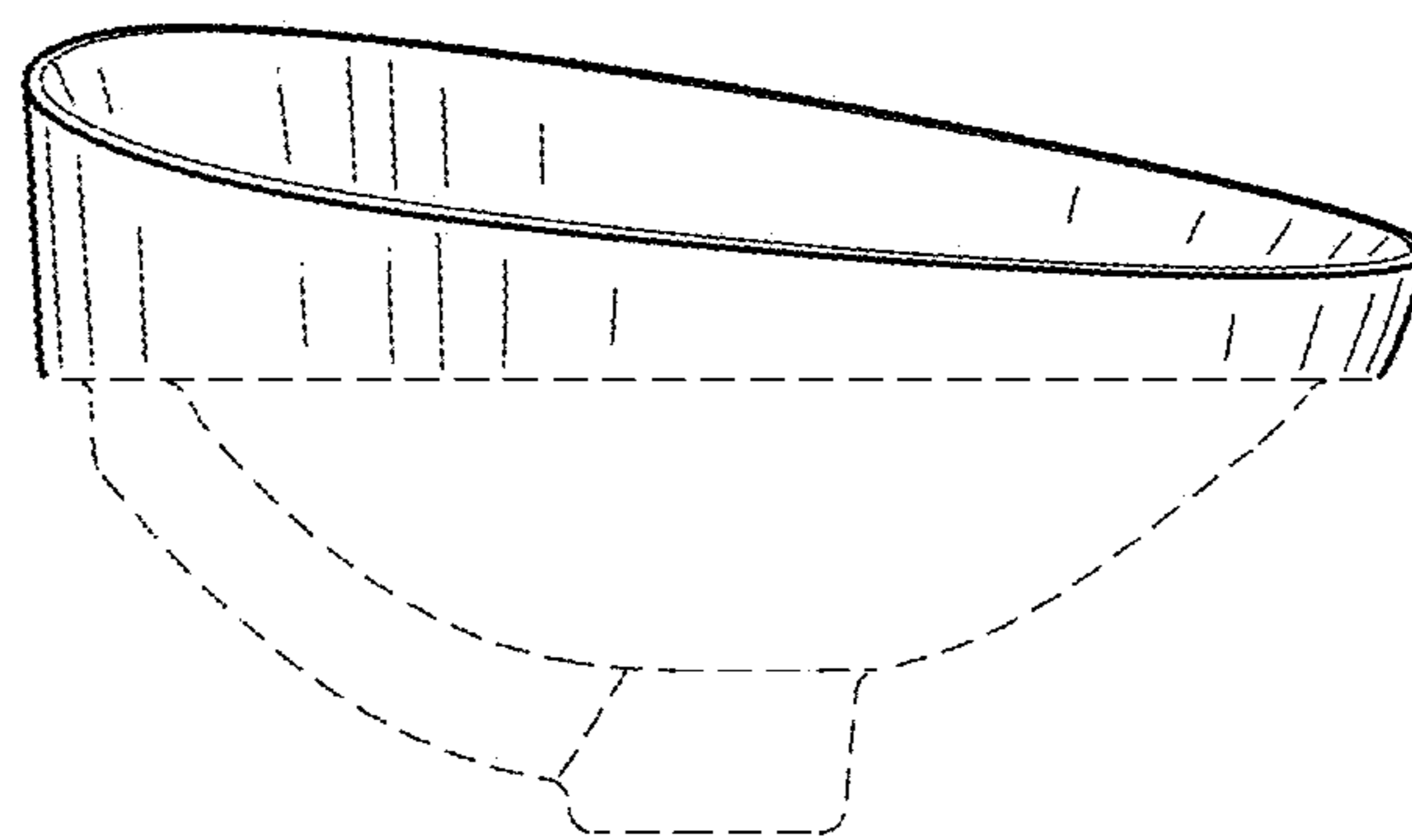


FIG. 6

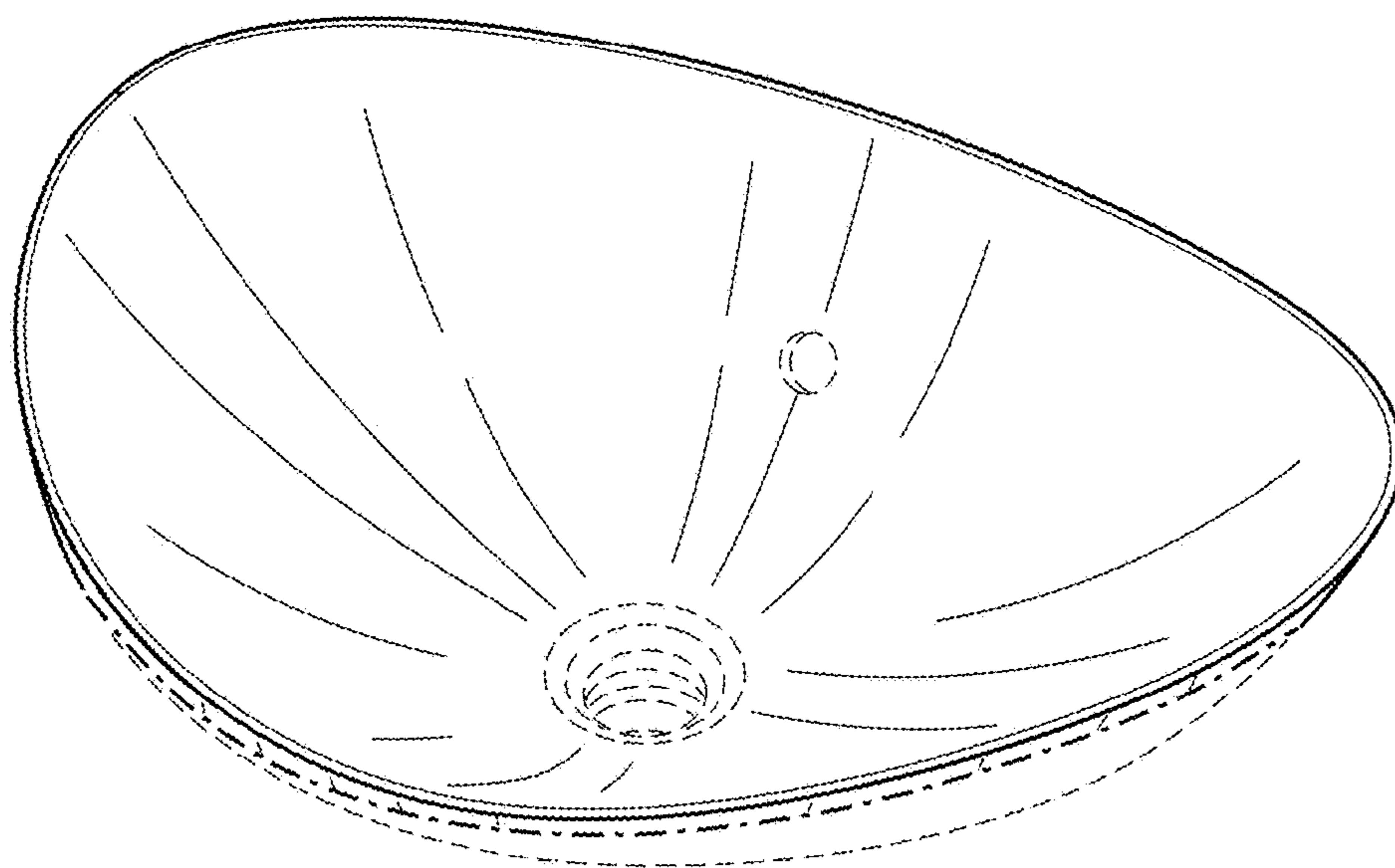


FIG. 7

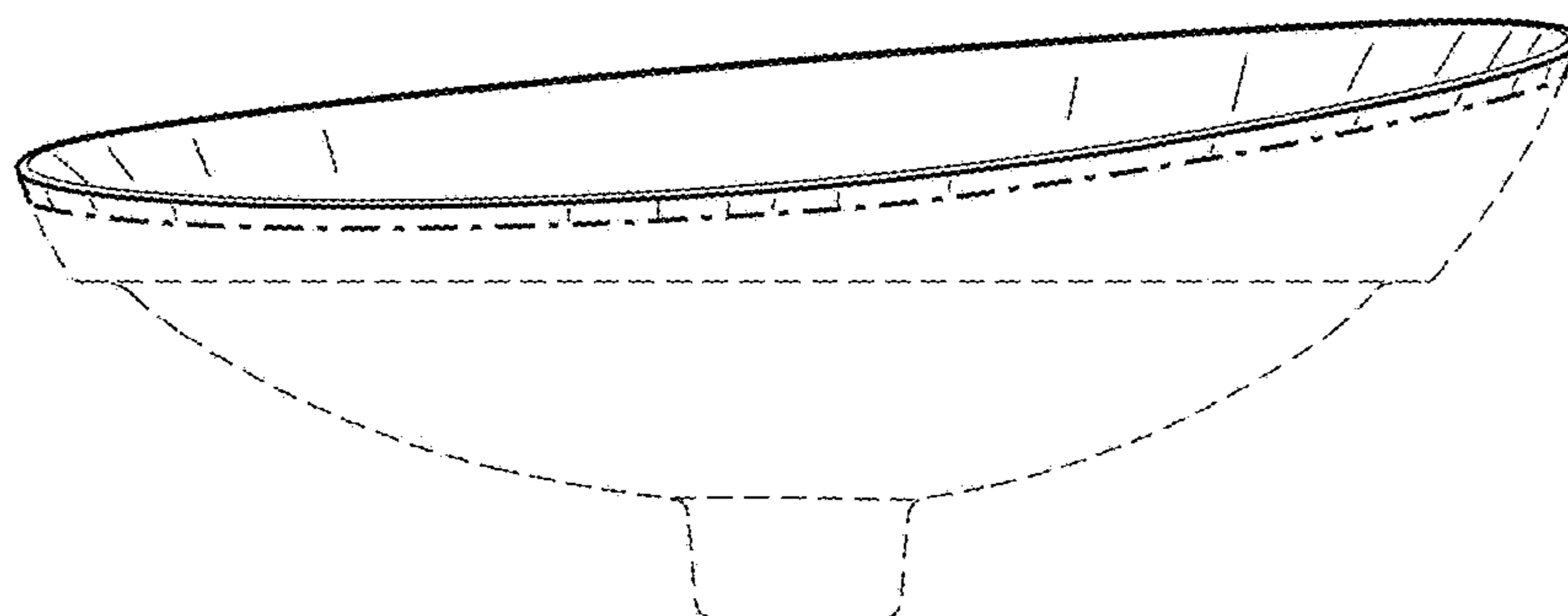


FIG. 8

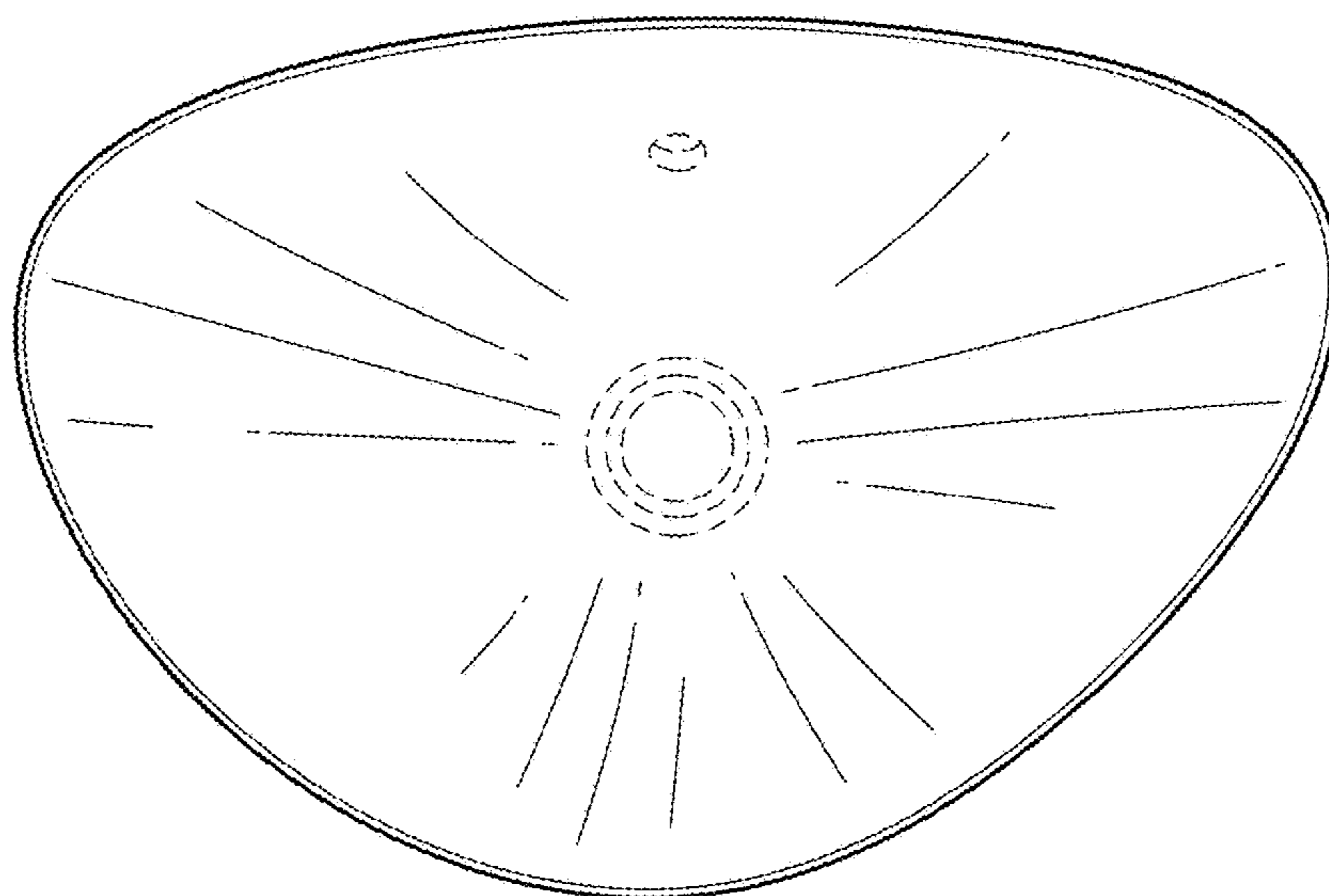


FIG. 9

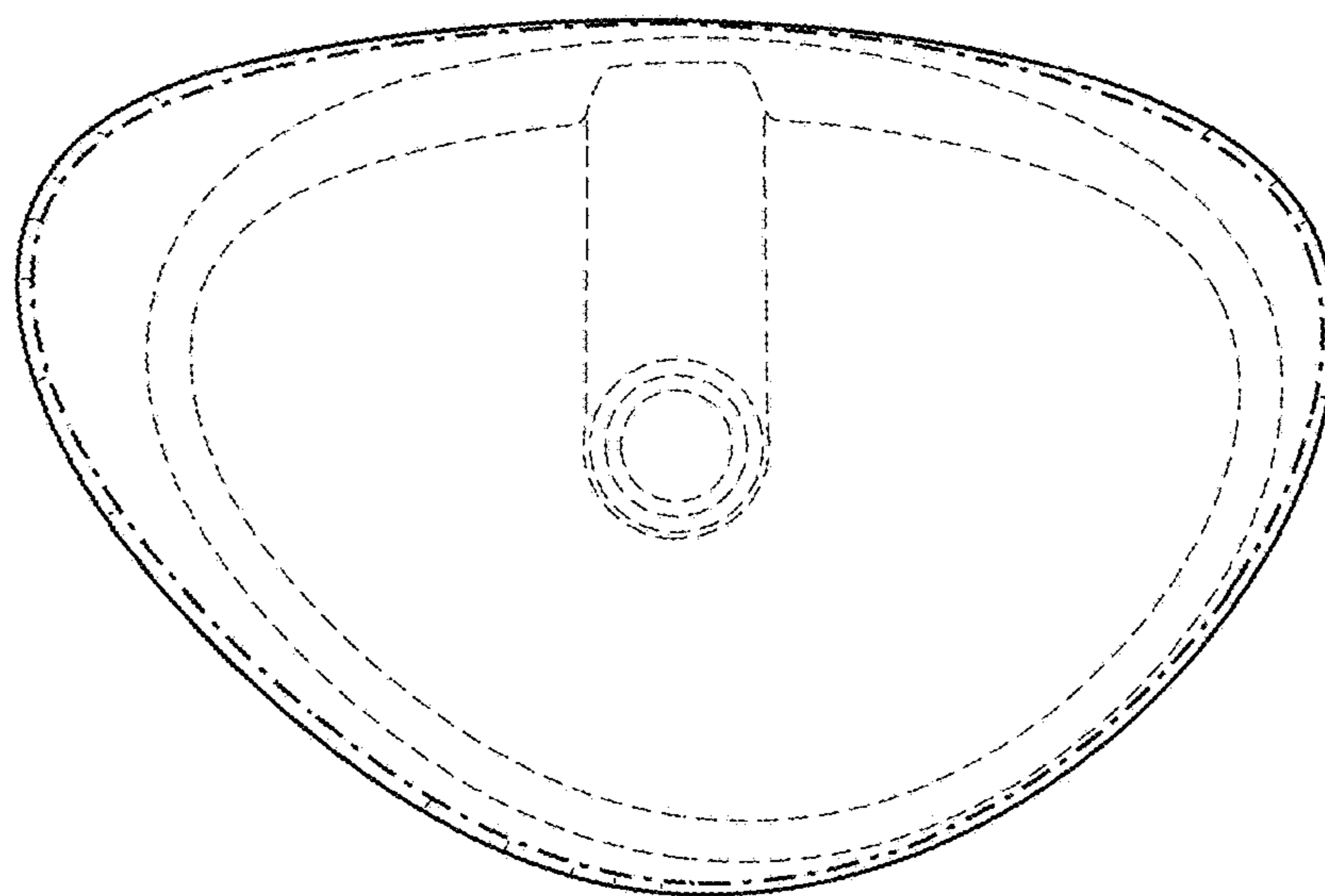


FIG. 10

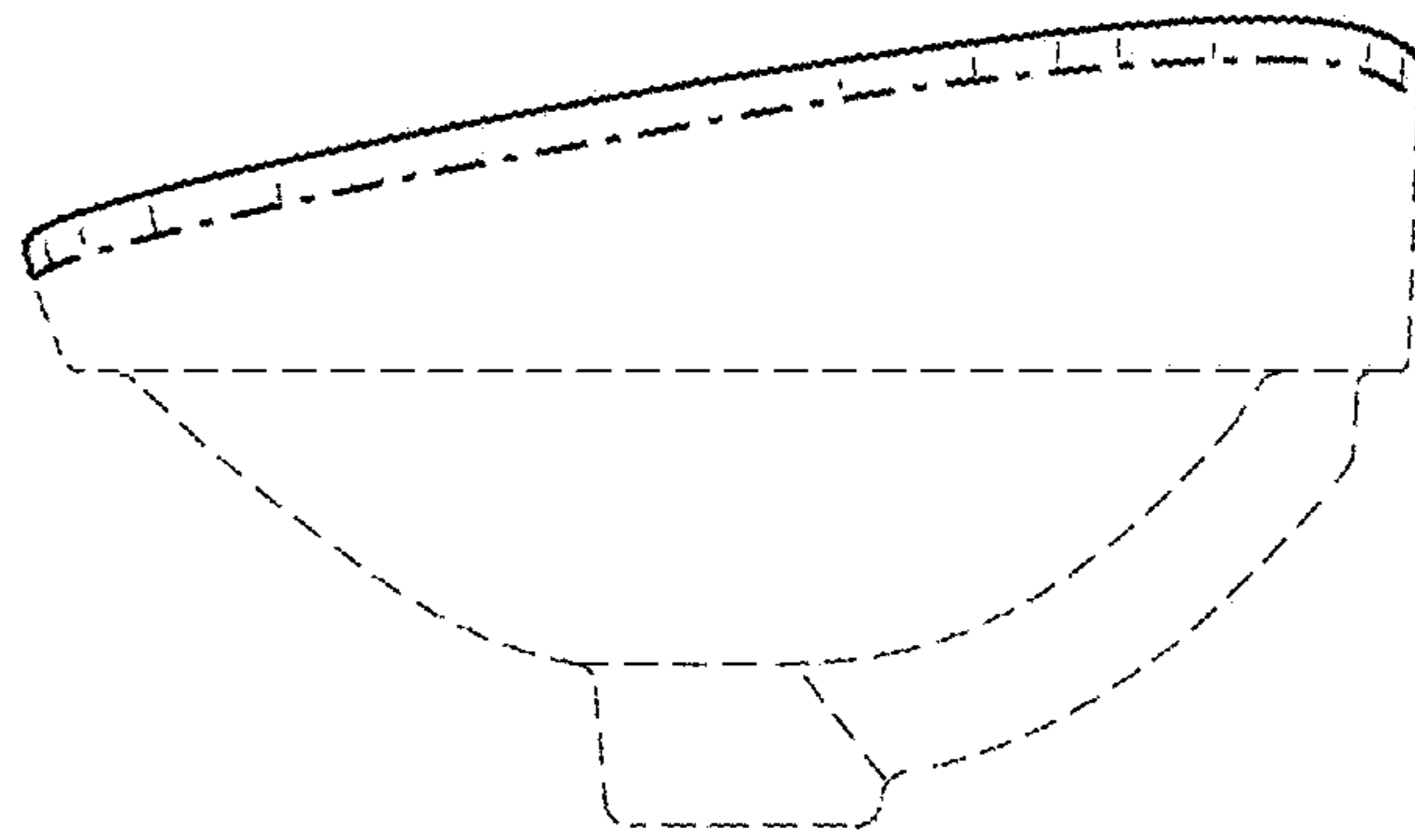


FIG. 11

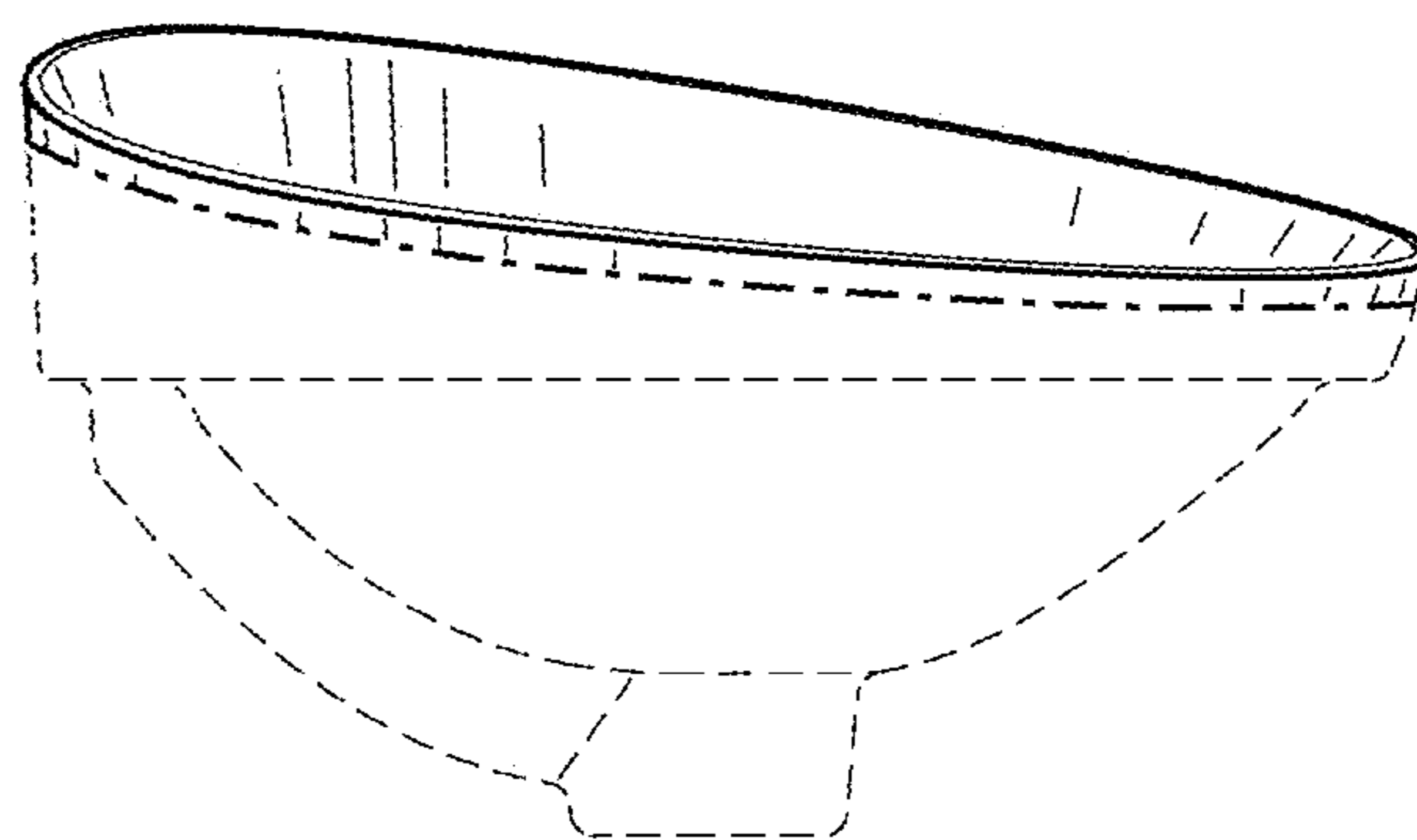


FIG. 12

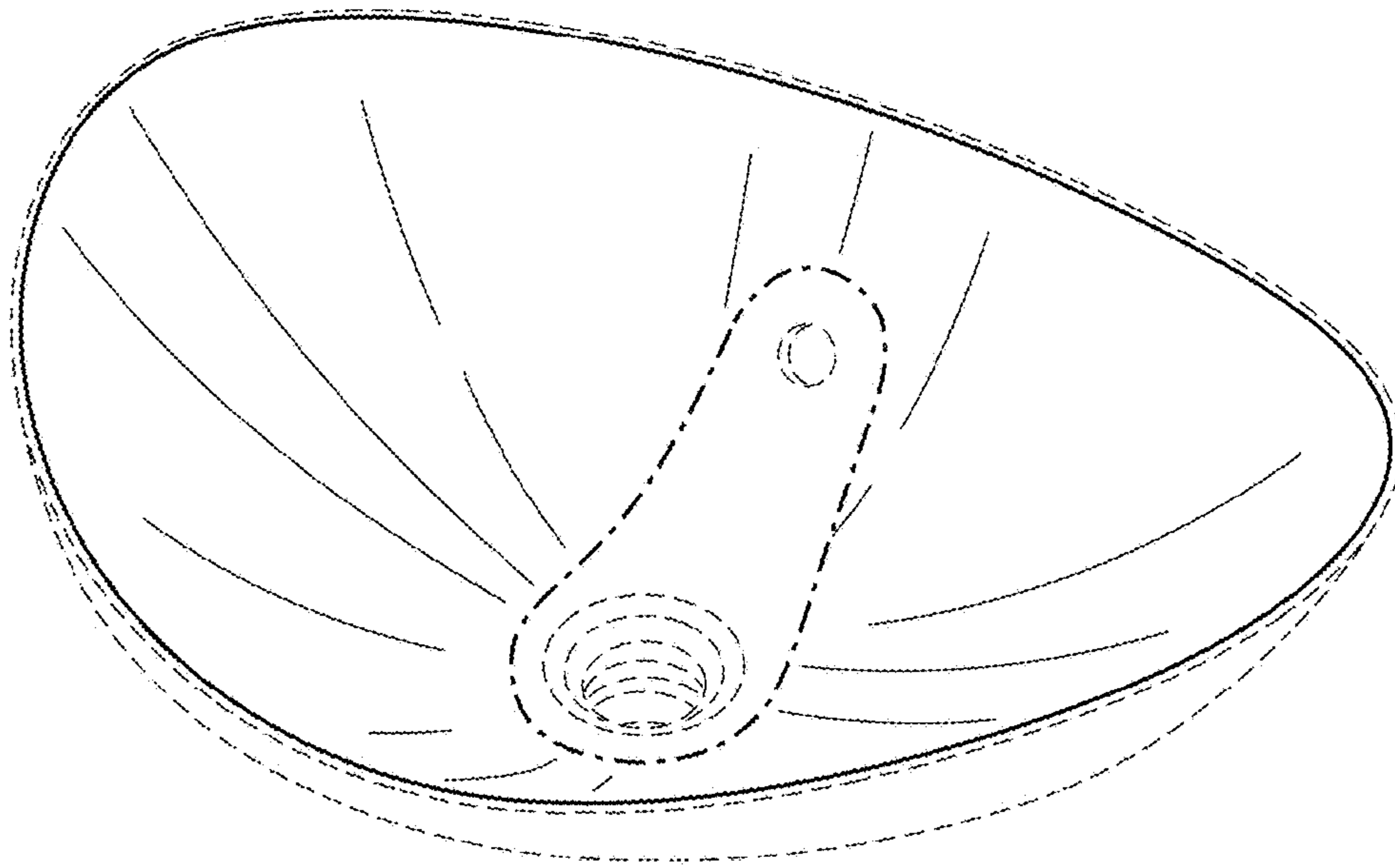


FIG. 13

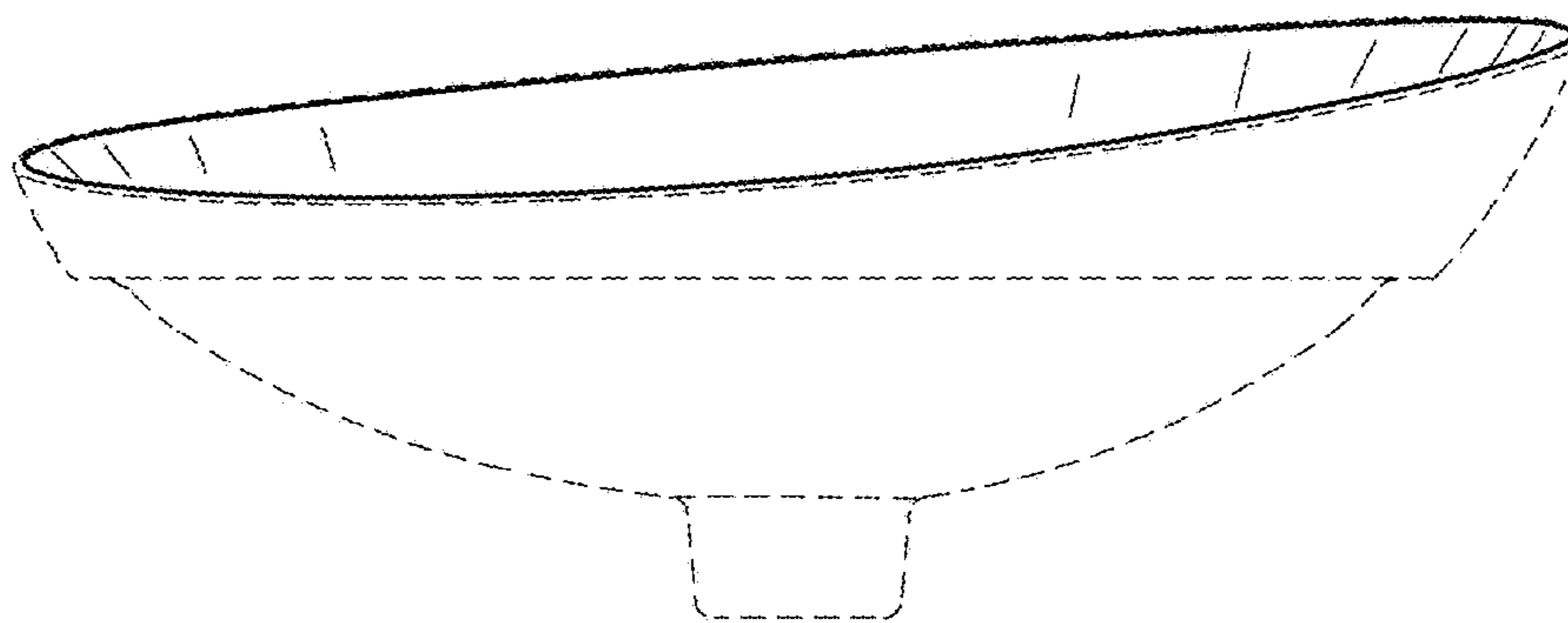


FIG. 14

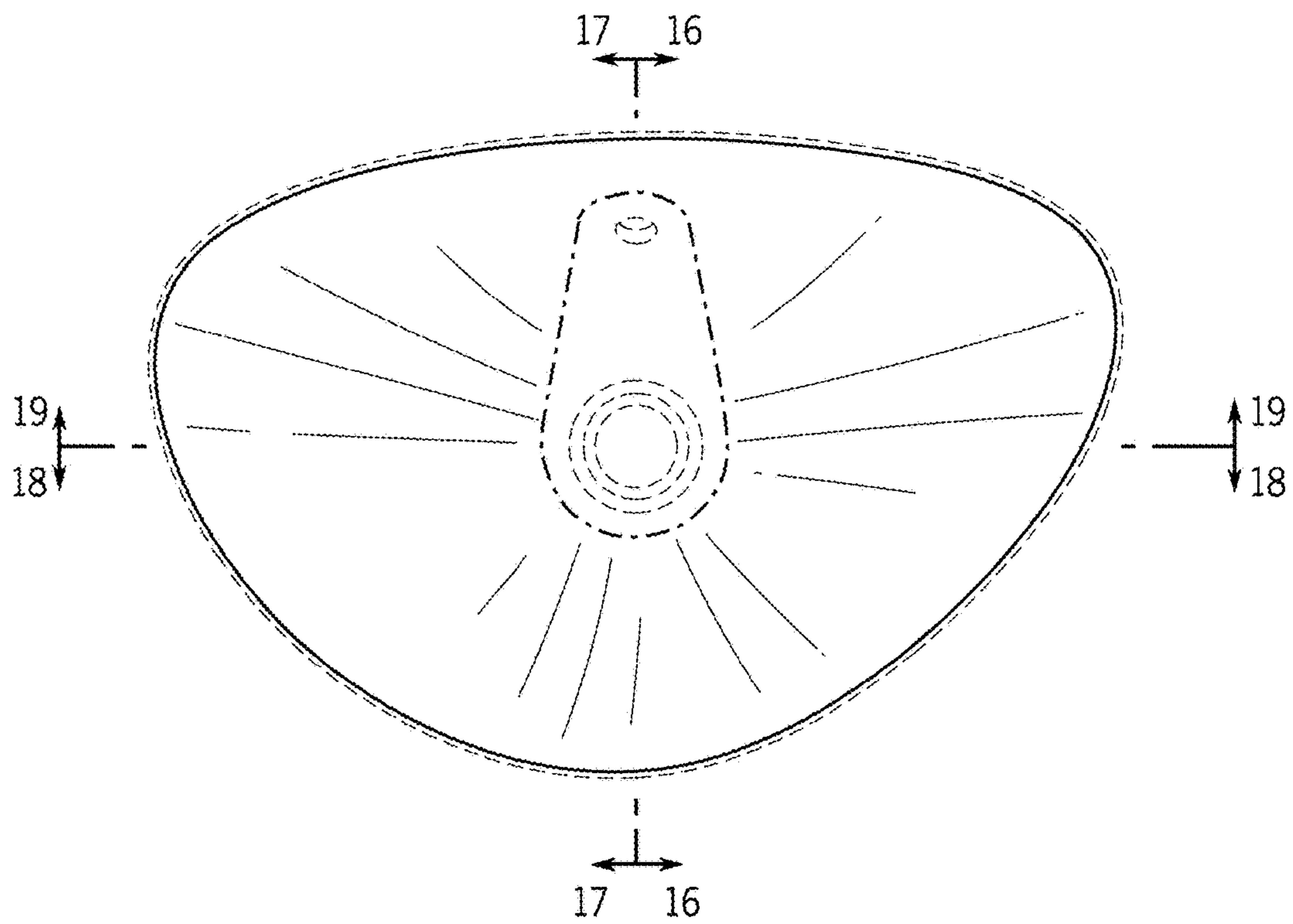


FIG. 15

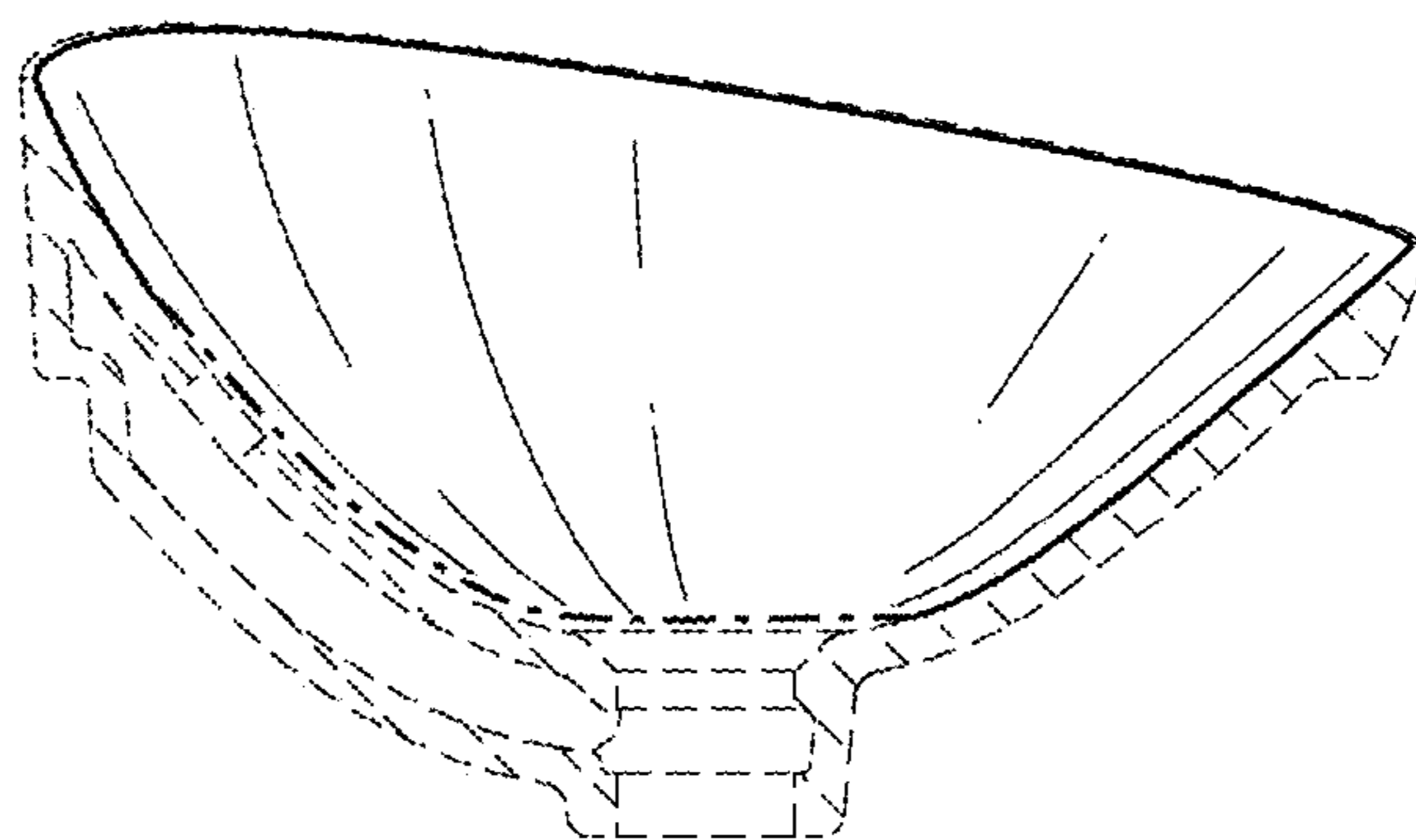


FIG. 16

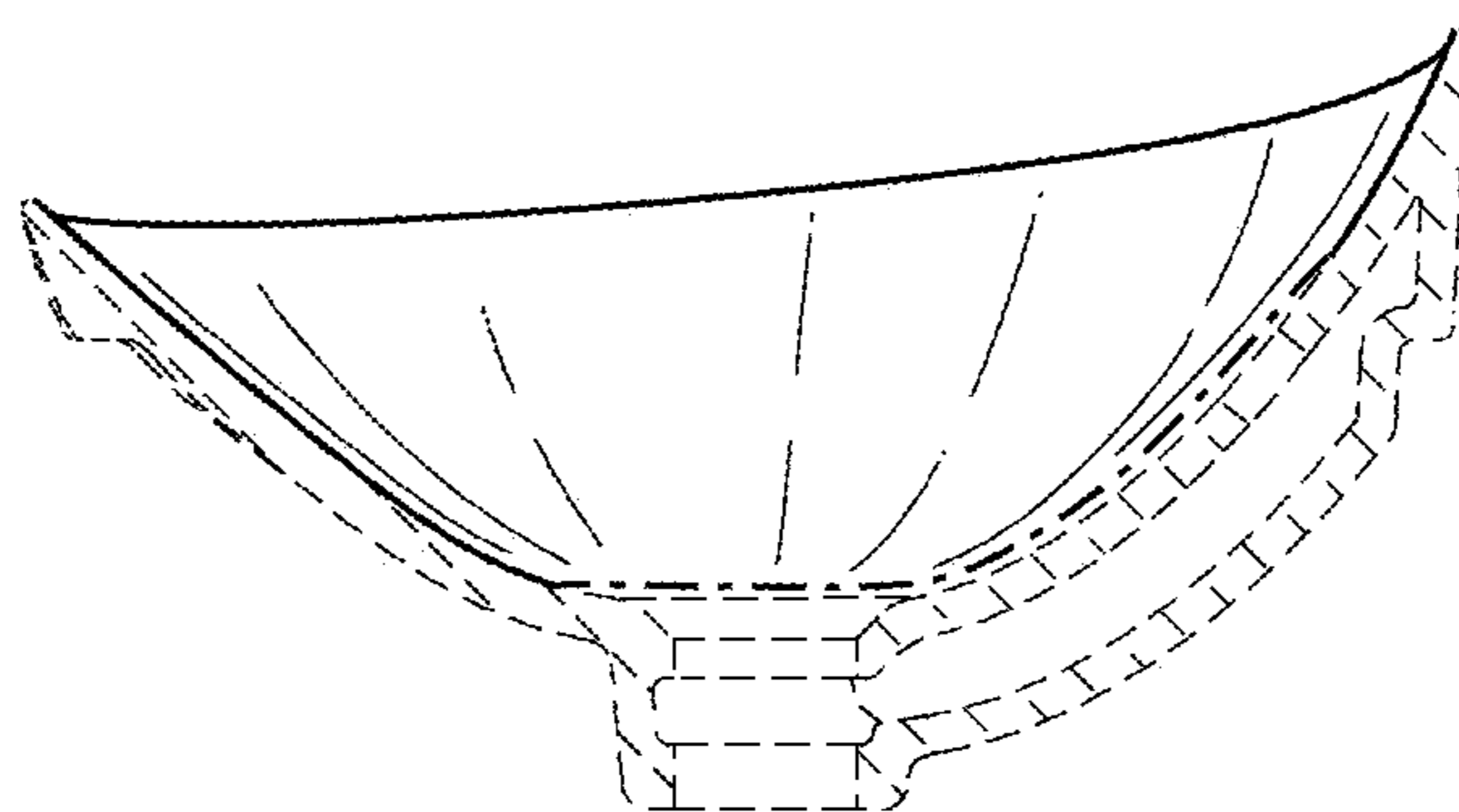


FIG. 17

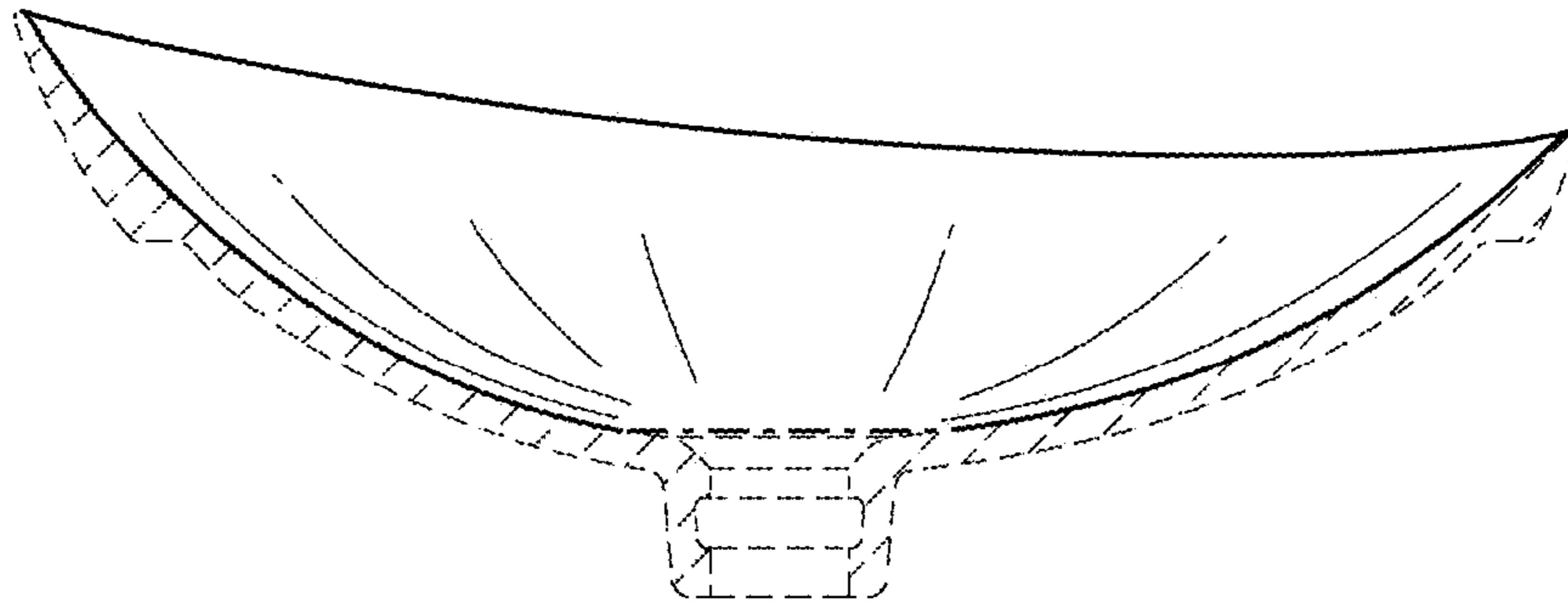


FIG. 18

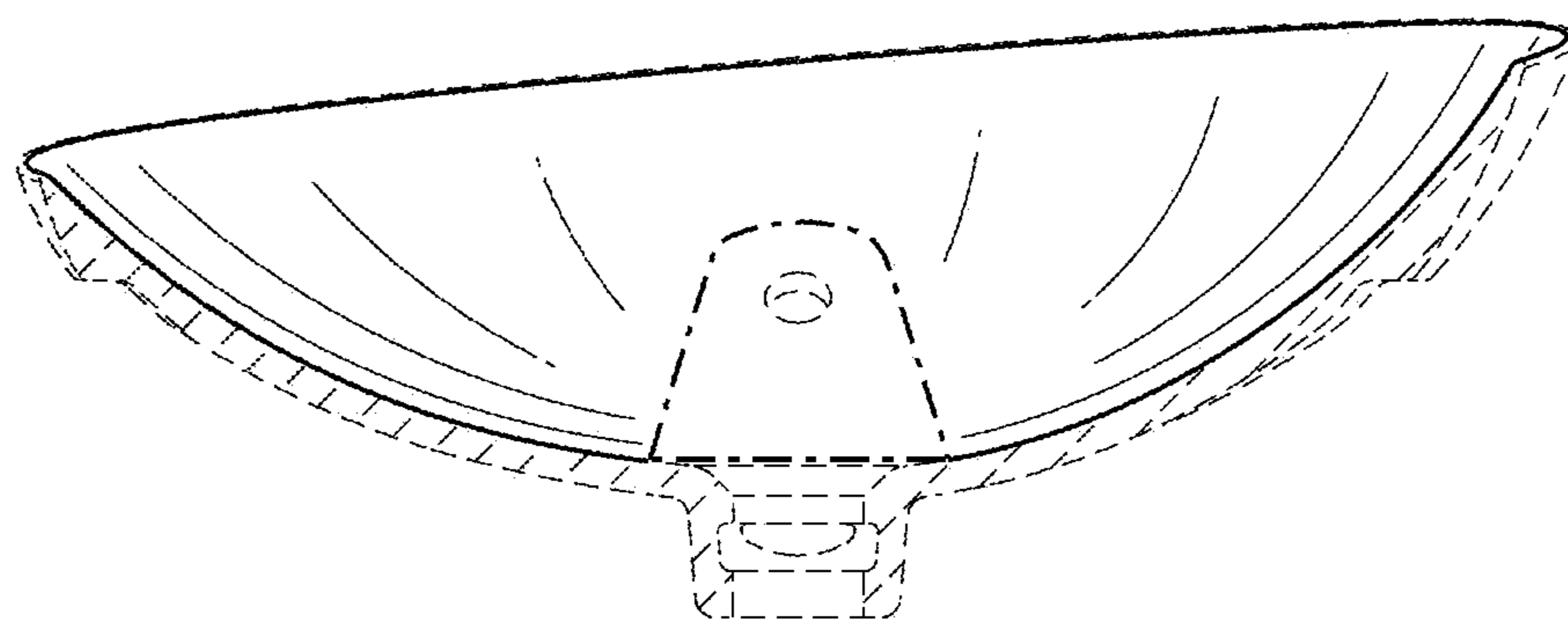


FIG. 19

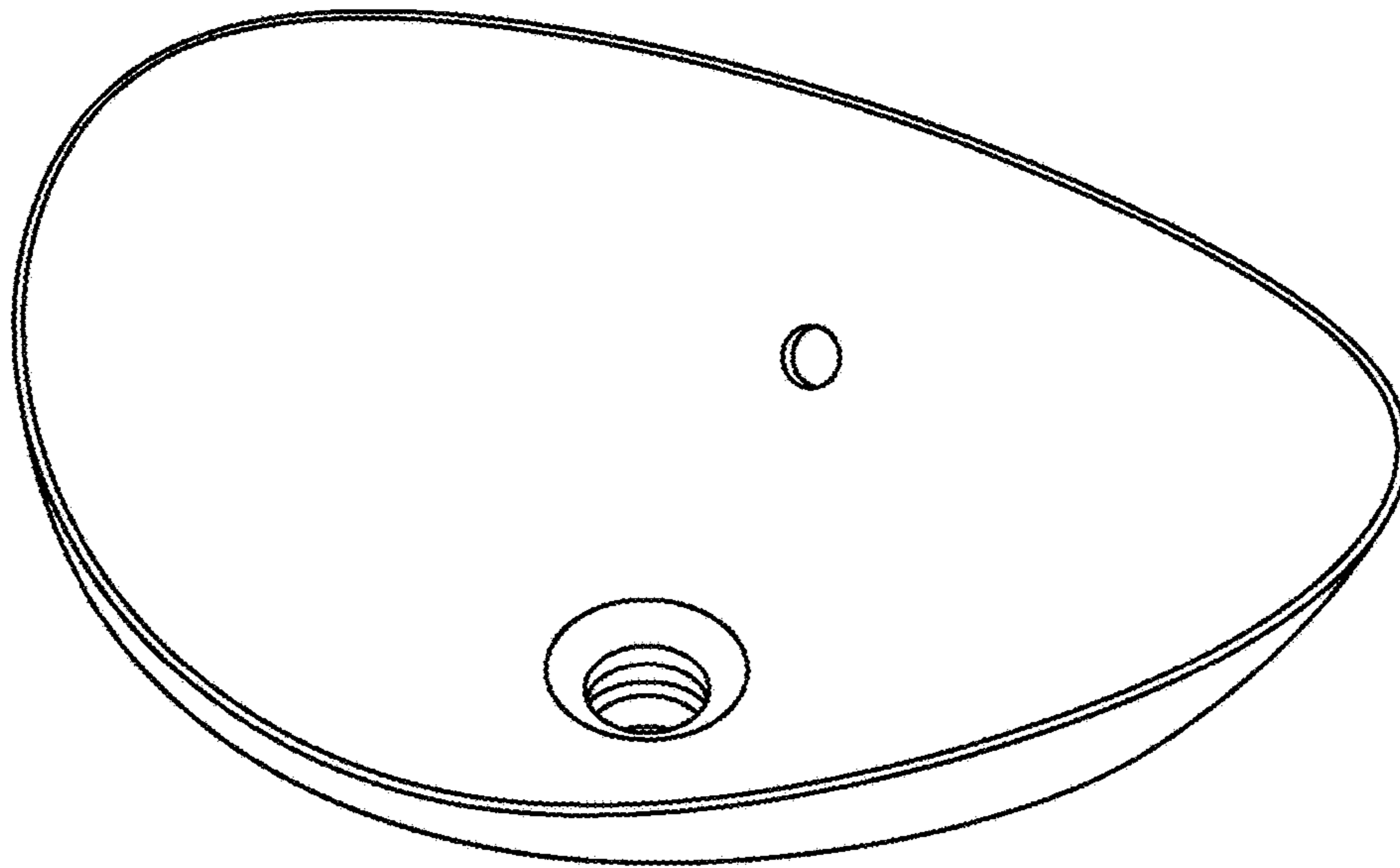


FIG. 20

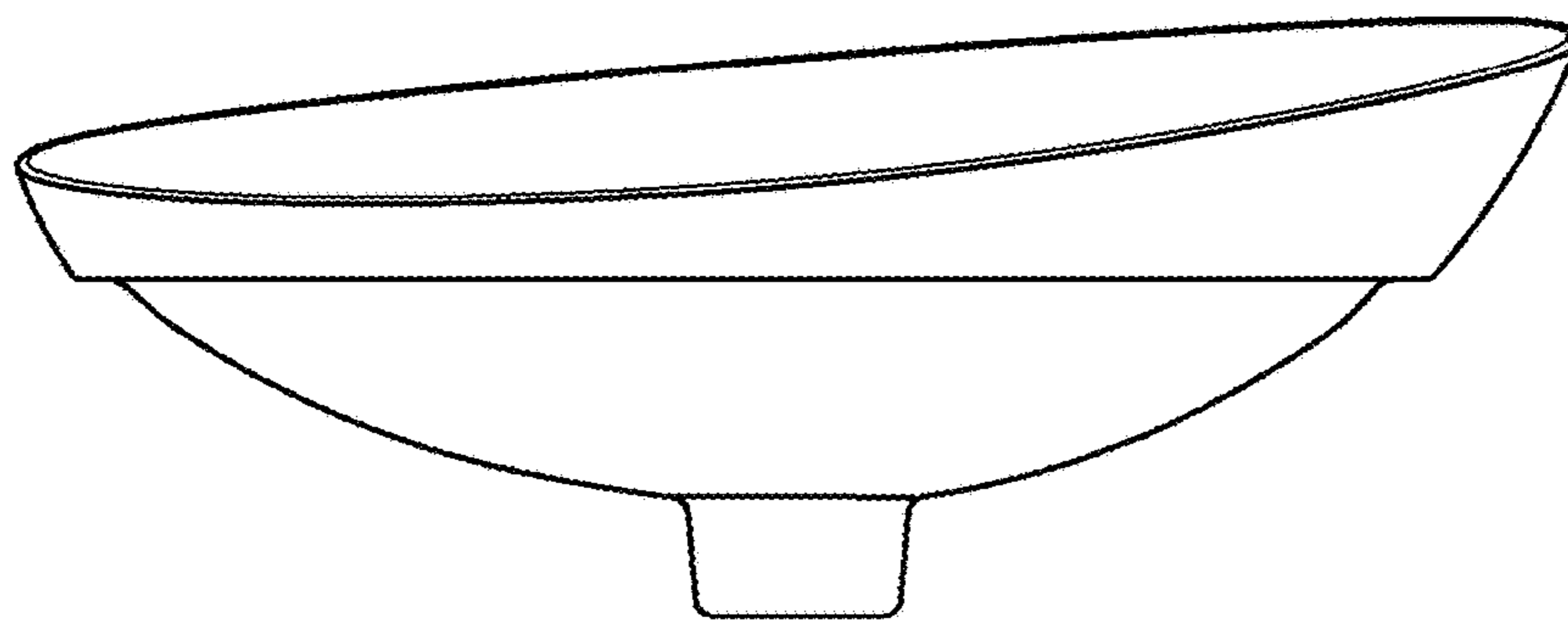


FIG. 21

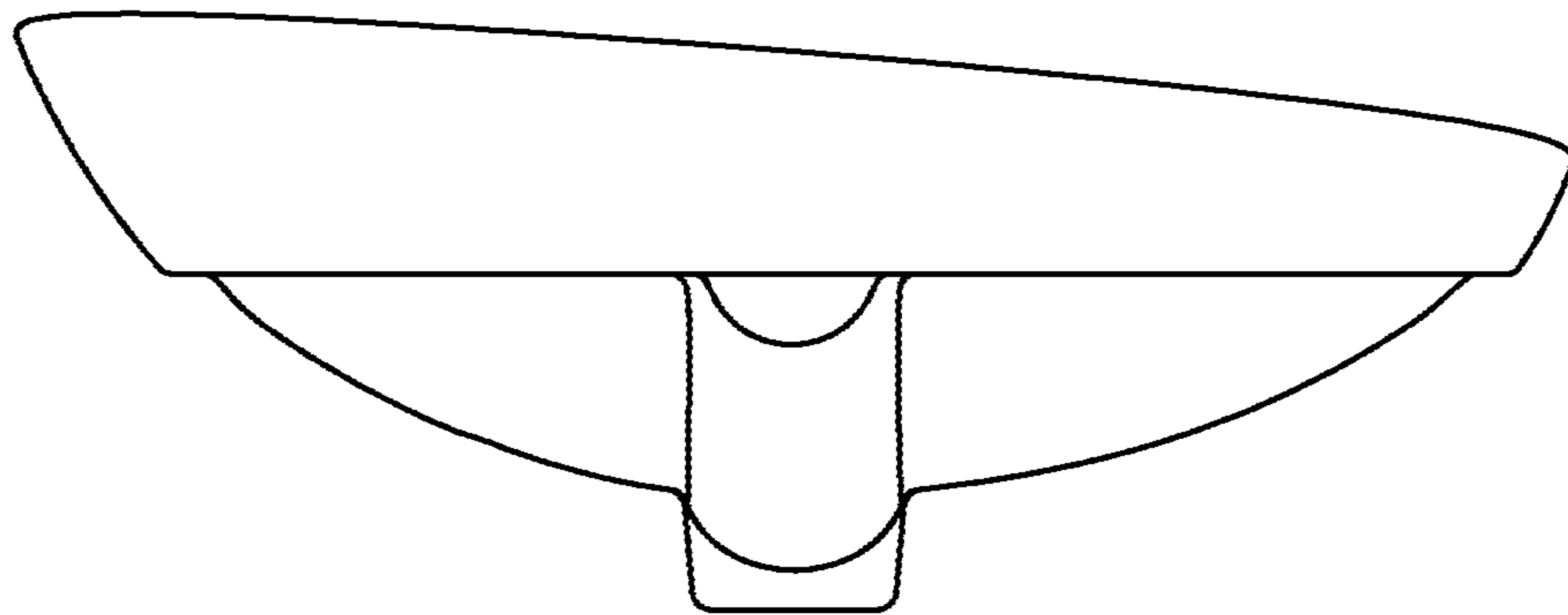


FIG. 22

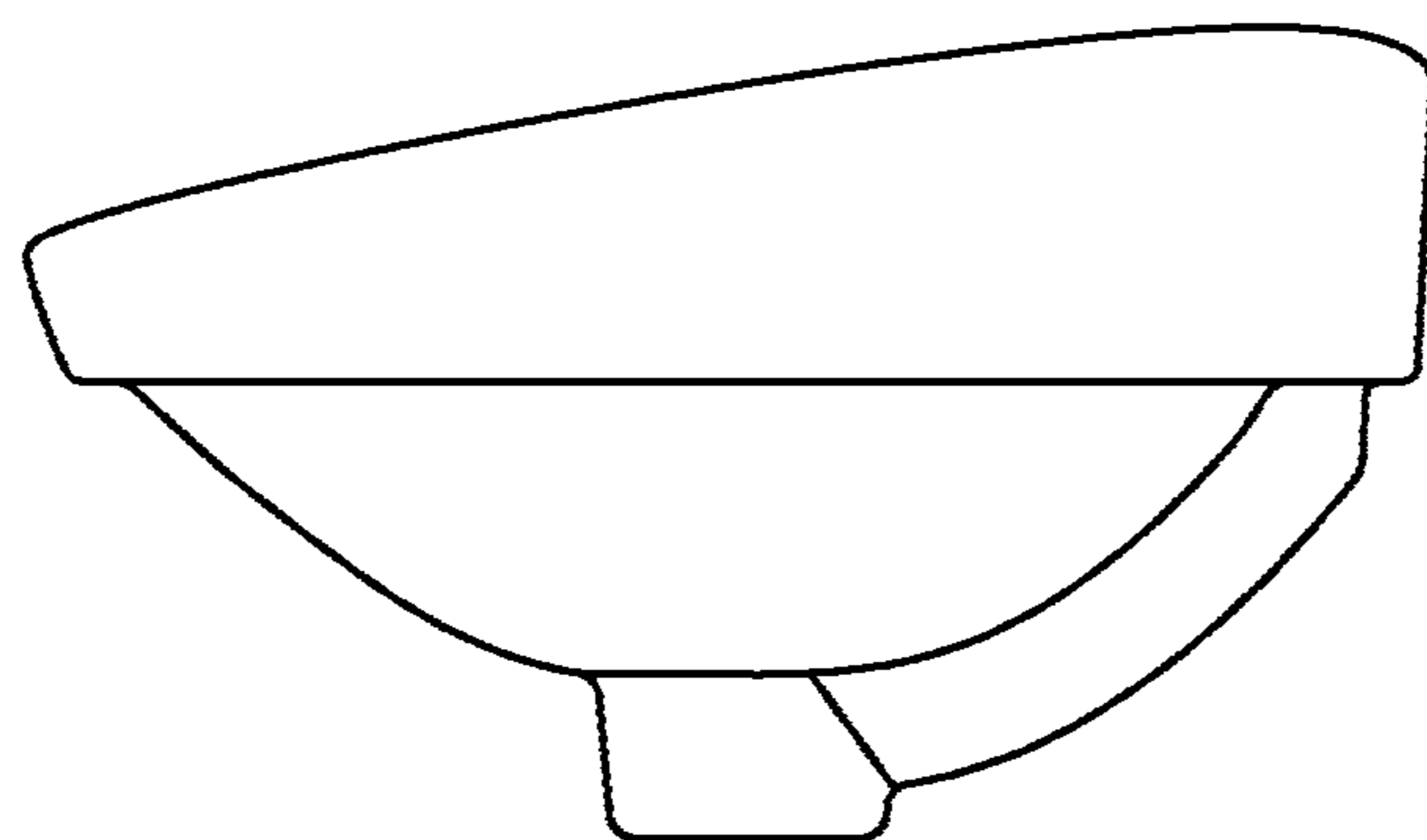


FIG. 23

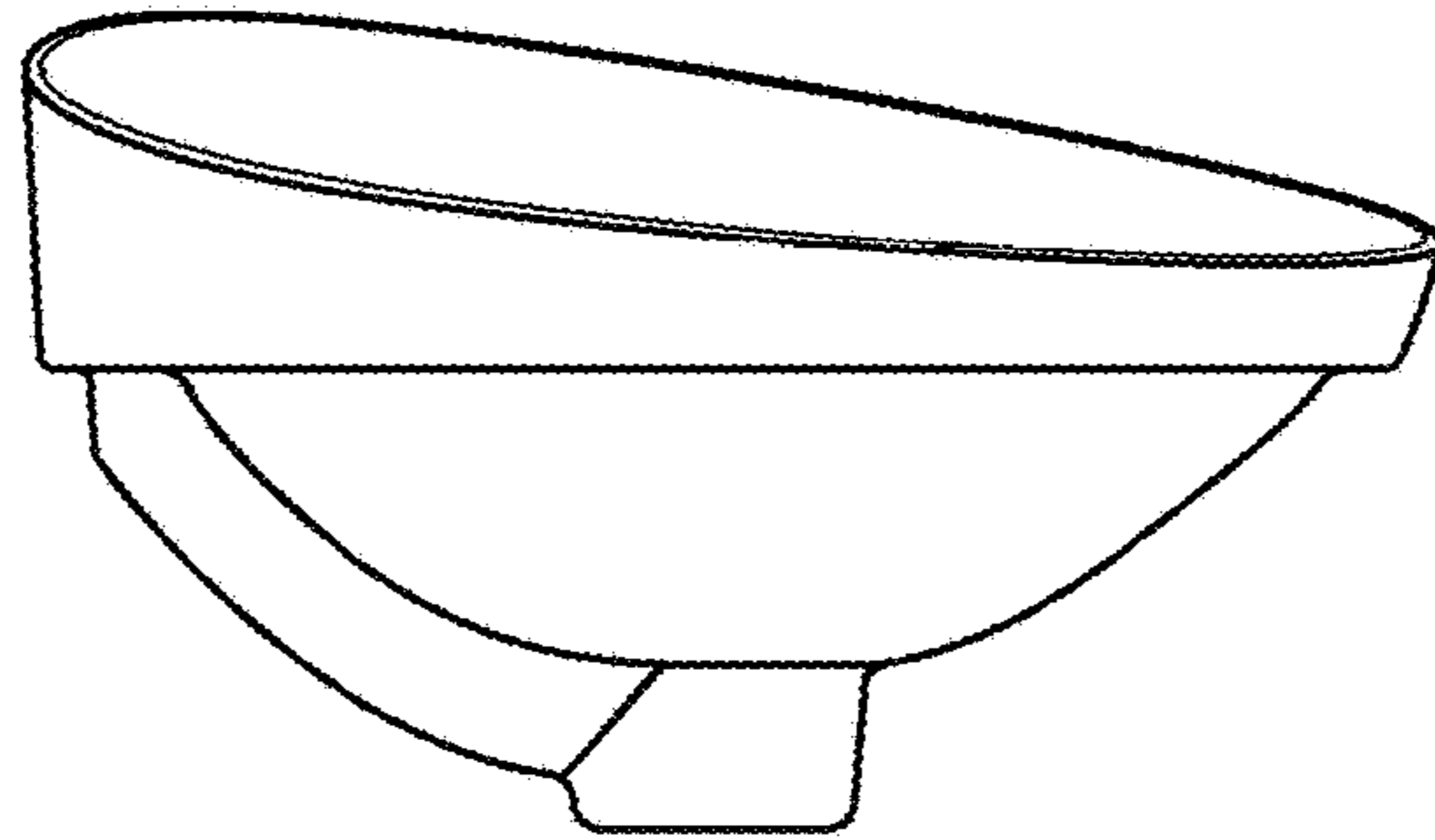


FIG. 24

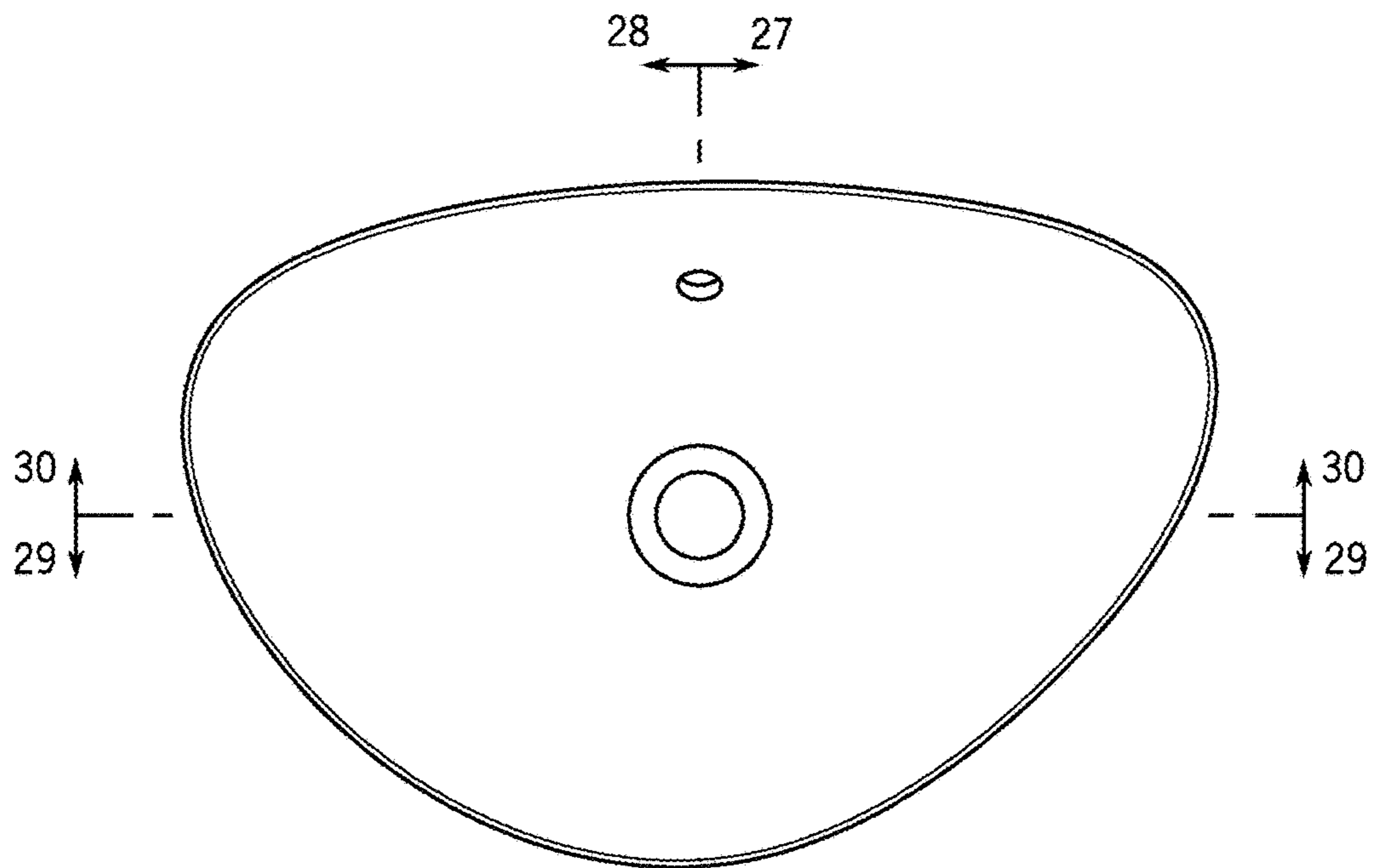


FIG. 25

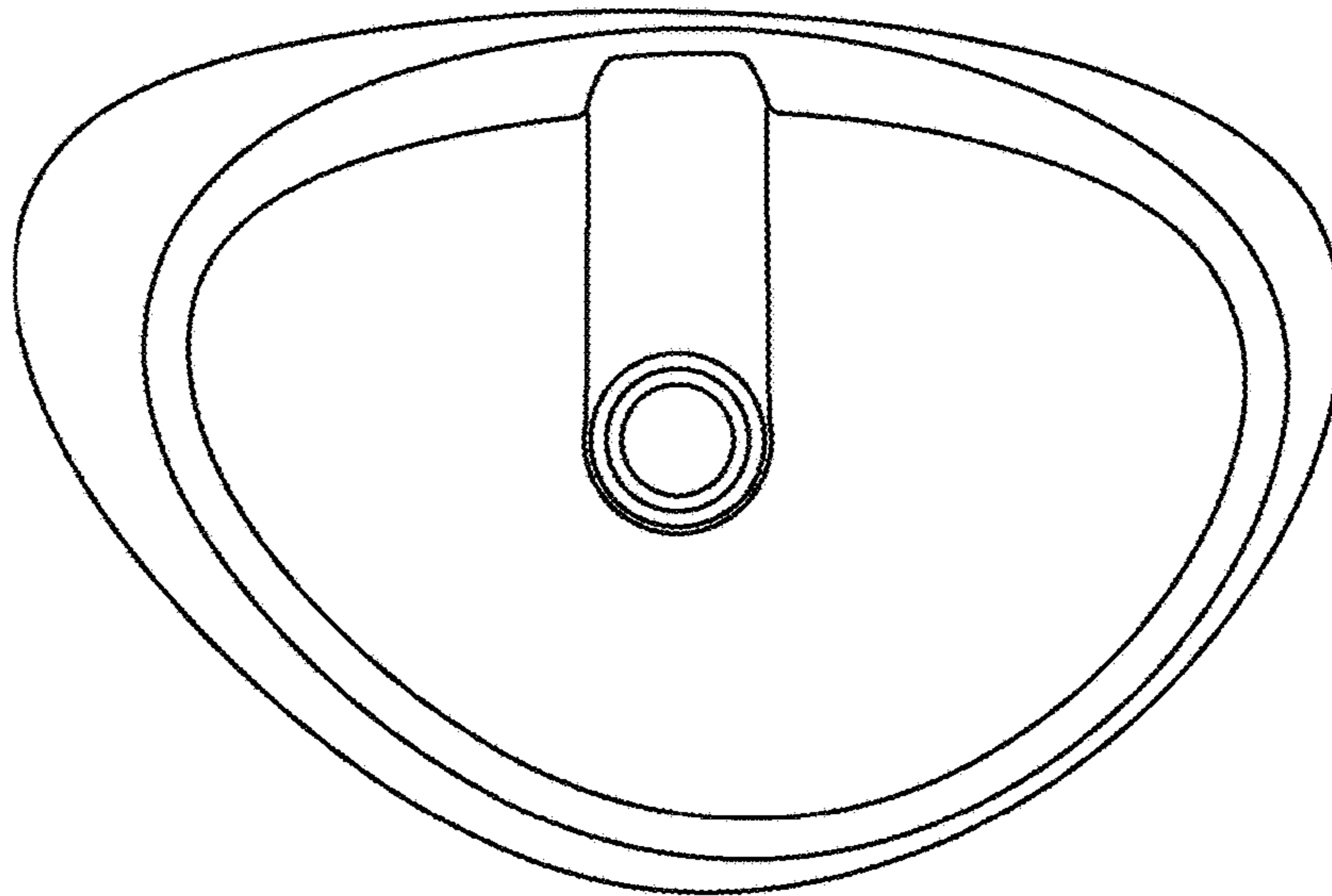


FIG. 26

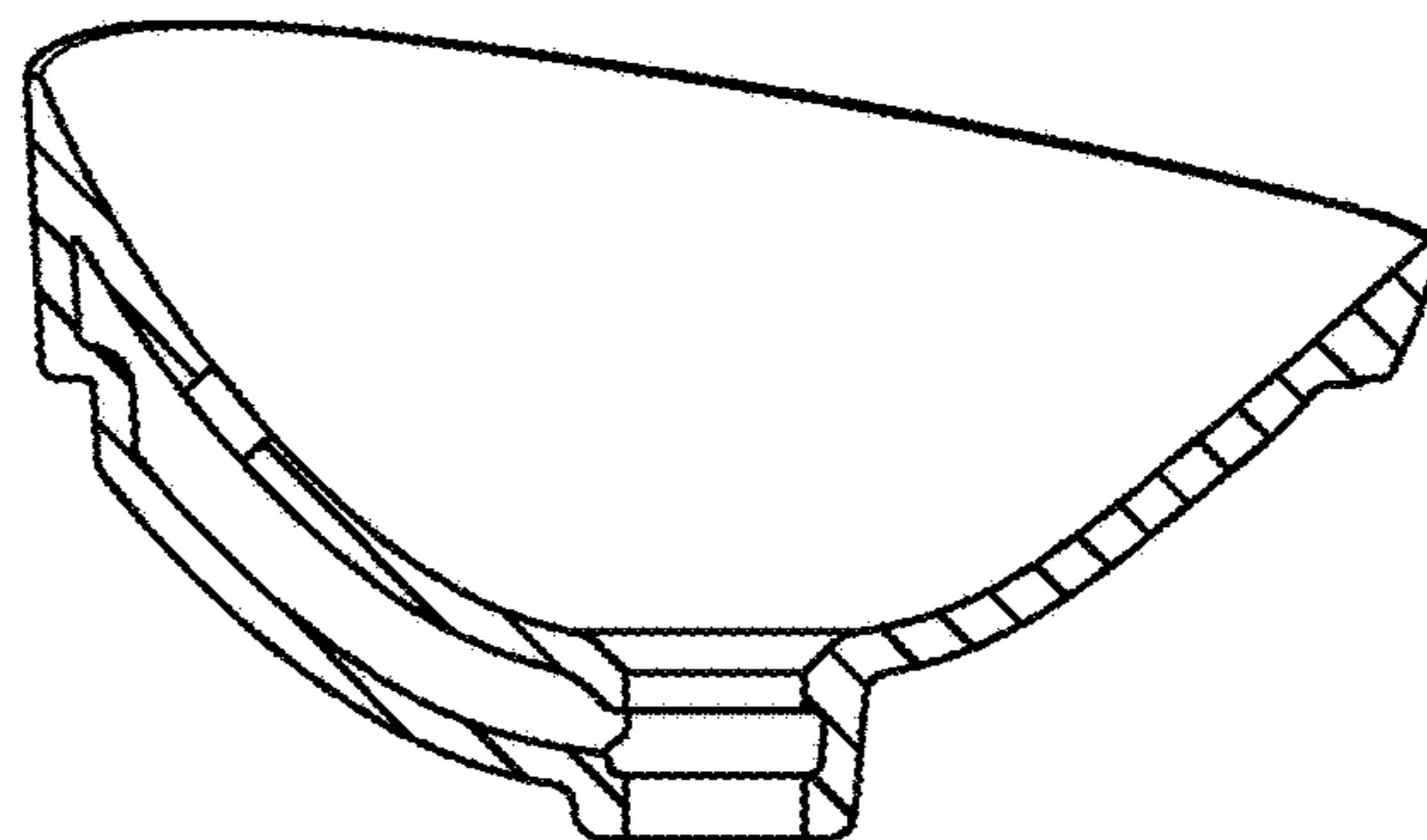


FIG. 27

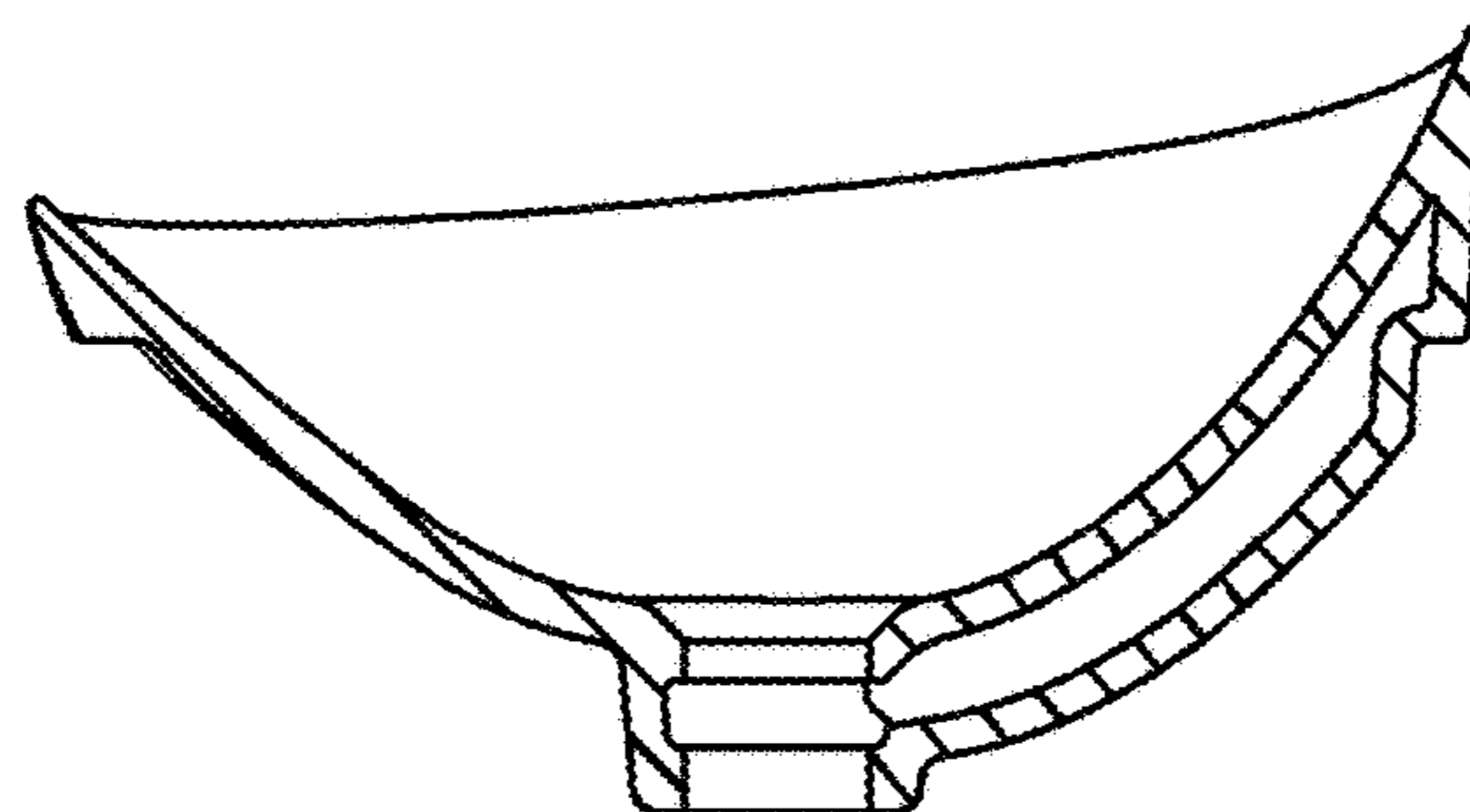


FIG. 28

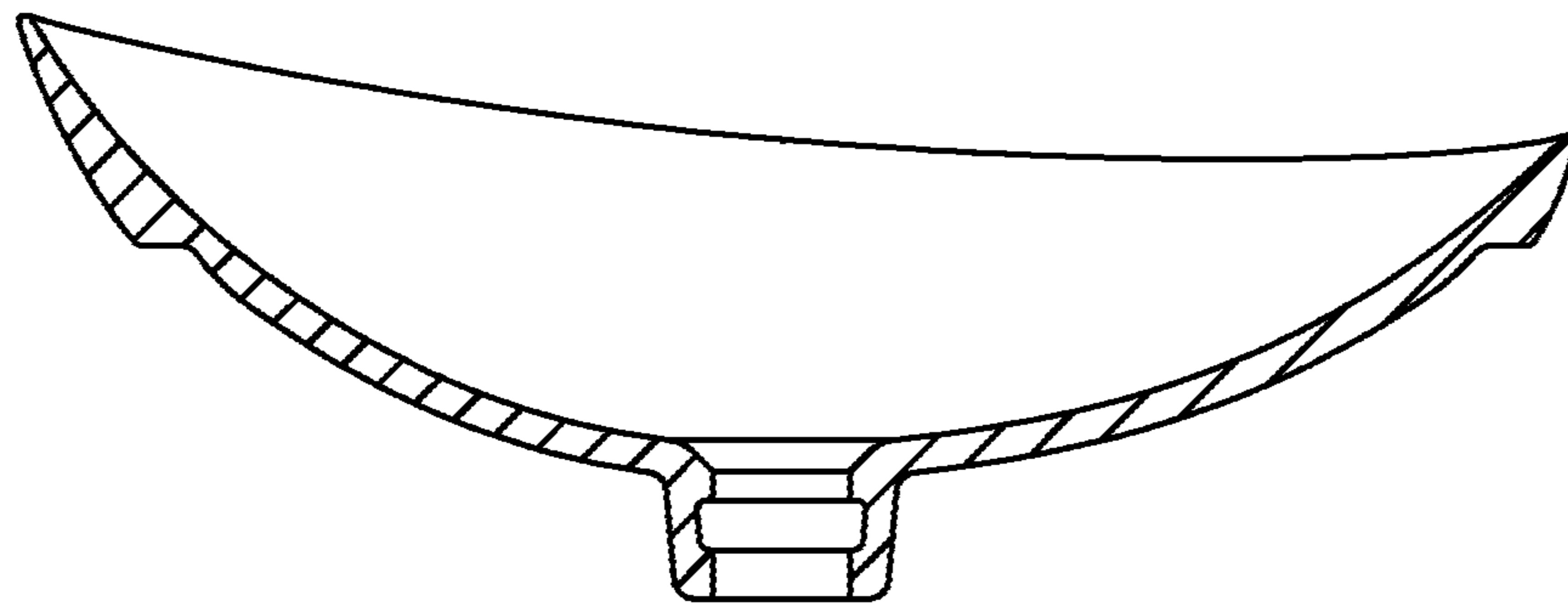


FIG. 29

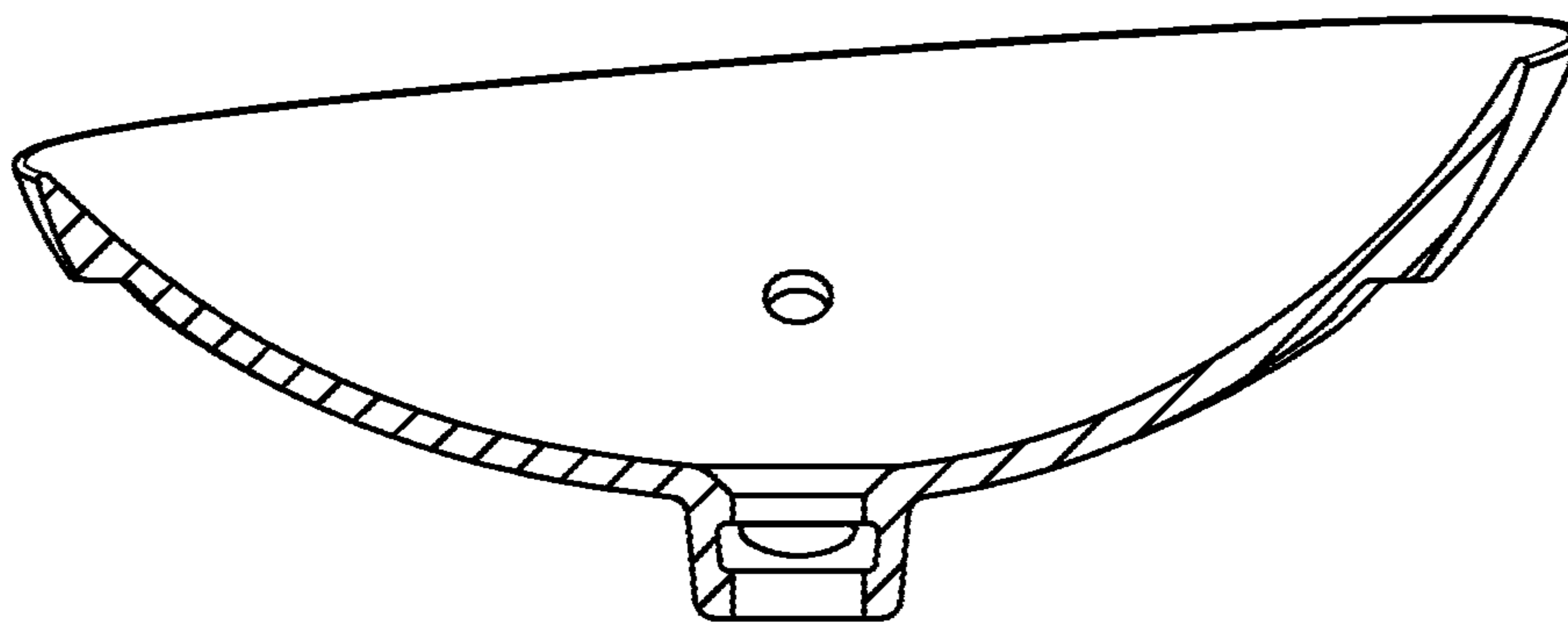


FIG. 30