



US00D815258S

(12) **United States Design Patent** (10) **Patent No.:** **US D815,258 S**
Bienek (45) **Date of Patent:** **** Apr. 10, 2018**

(54) **RAIN GUTTER WITH TRANSPARENT BOTTOM**

(71) Applicant: **Dan Bienek**, Harvey, ND (US)

(72) Inventor: **Dan Bienek**, Harvey, ND (US)

(**) Term: **15 Years**

(21) Appl. No.: **29/599,570**

(22) Filed: **Apr. 5, 2017**

(51) **LOC (11) Cl.** **23-01**

(52) **U.S. Cl.**
USPC **D23/267**

(58) **Field of Classification Search**
USPC D23/259-269; 52/11-12, 13, 14, 15, 24,
52/25, 302.3, 302.7; 248/48.1-48.2;
D25/136, 138, 141-142, 164
CPC . E04D 13/0767; E04D 13/072; E04D 13/076;
E04D 13/064; E04D 13/08
See application file for complete search history.

(56) **References Cited**

U.S. PATENT DOCUMENTS

2,737,778 A * 3/1956 Wold E02B 13/00
405/119
D259,950 S * 7/1981 Henry D23/259
4,407,097 A 10/1983 Allen
4,998,386 A 3/1991 Baumgarth
6,964,135 B1 11/2005 Slodov
7,334,369 B2 2/2008 Carson
7,628,911 B2 * 12/2009 Koenig E04D 13/076
134/166 R
D621,484 S * 8/2010 Wootton D23/267
8,404,110 B2 * 3/2013 Block E04D 13/08
210/162
D777,302 S * 1/2017 Bice, Jr. D23/267
9,874,019 B1 * 1/2018 Bice, Jr. E04D 13/076

2004/0031209 A1 2/2004 Porter
2006/0137258 A1* 6/2006 Crossley E04D 13/0641
52/12
2007/0125005 A1* 6/2007 Carson E04D 13/076
52/11

* cited by examiner

Primary Examiner — Eric L Goodman
Assistant Examiner — Amy C Wierenga
 (74) *Attorney, Agent, or Firm* — Global Intellectual
 Property Agency, LLC; Jordan Sworen

(57) **CLAIM**

The ornamental design for a rain gutter with transparent bottom, as shown and described.

DESCRIPTION

FIG. 1 shows a top perspective view of the rain gutter with transparent bottom.
 FIG. 2 shows a bottom perspective view of the rain gutter with transparent bottom.
 FIG. 3 shows a bottom plan view thereof.
 FIG. 4 shows a top plan view thereof.
 FIG. 5 shows a right end side view thereof.
 FIG. 6 shows a left end side view thereof.
 FIG. 7 shows rear view thereof; and,
 FIG. 8 shows a front view thereof.
 The shade lines in the Figures show contour and not surface ornamentation, except for the shade lines on the bottom member, which is transparent as can be seen in FIG. 2. A transparent bottom member is claimed.
 The broken lines shown in the Figures show portions of the rain gutter with transparent bottom which form no part of the claimed design.

1 Claim, 4 Drawing Sheets

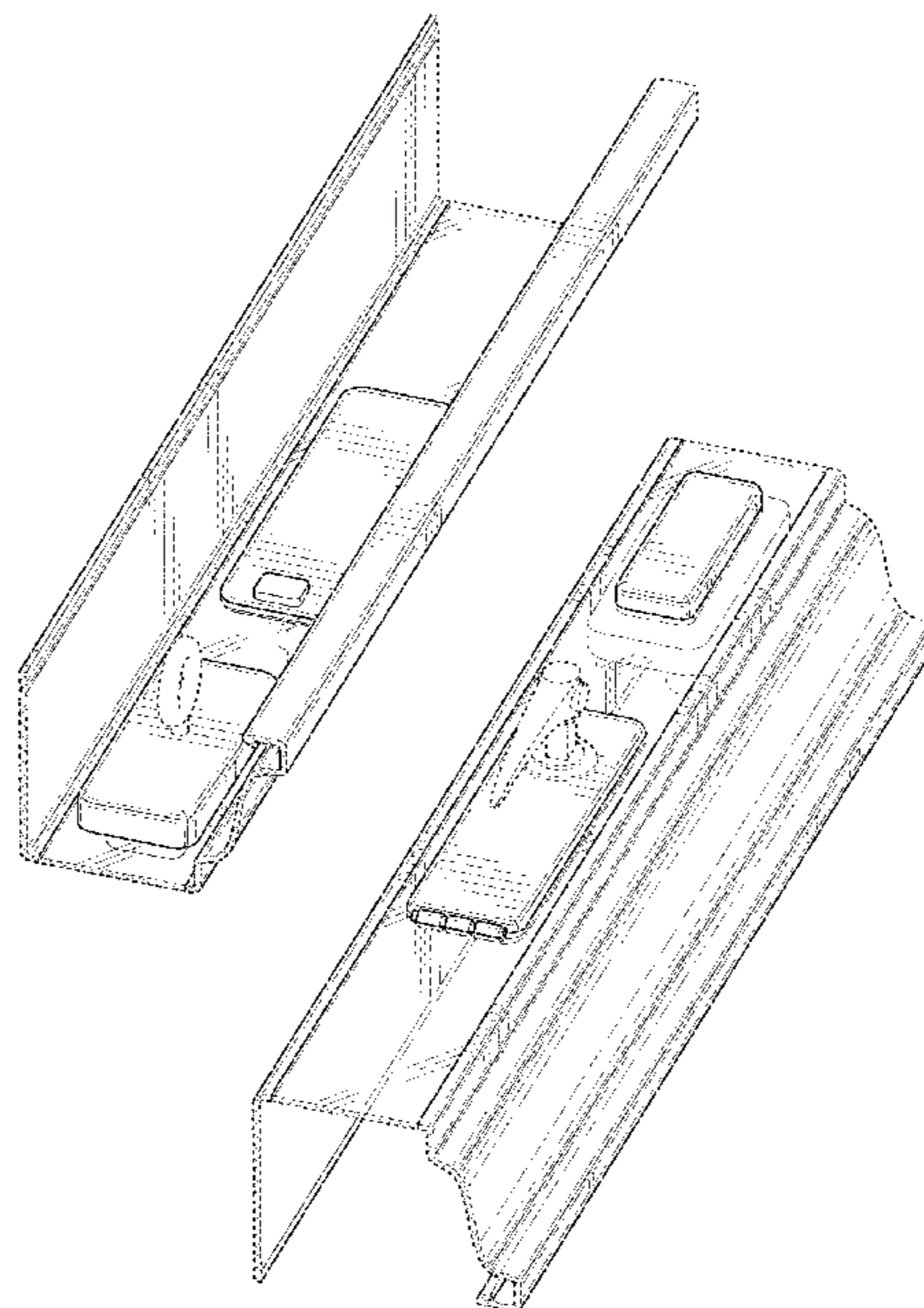


FIG. 1

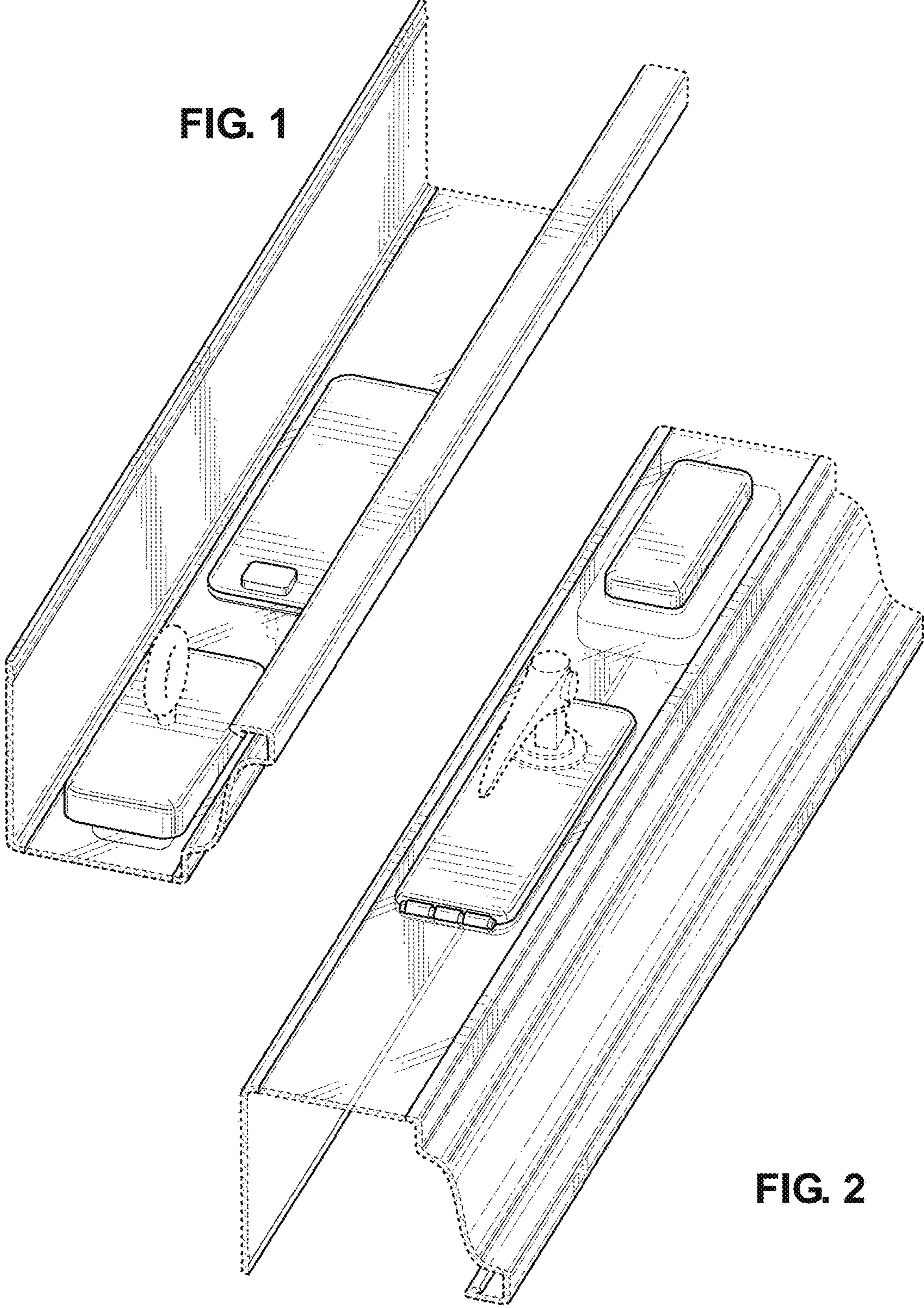


FIG. 2

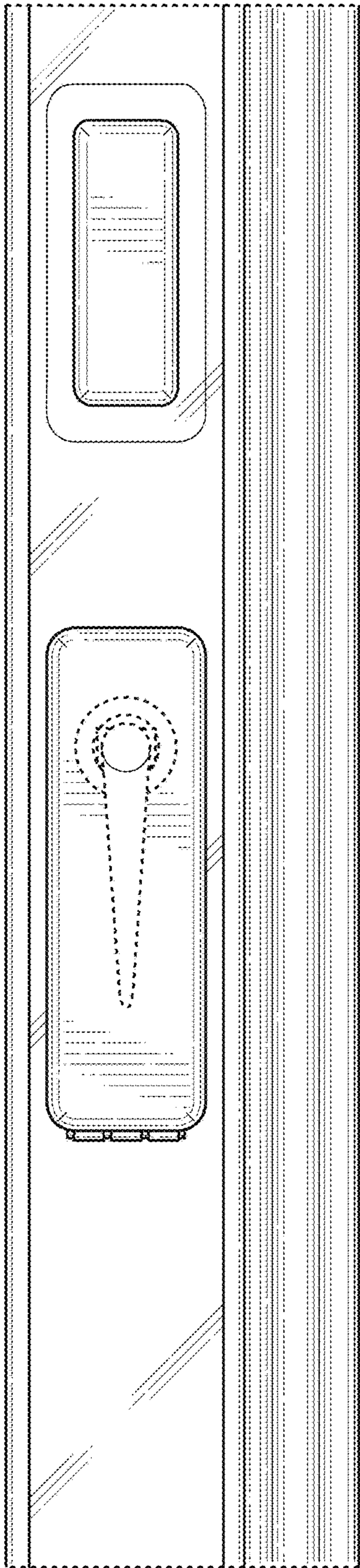


FIG. 3

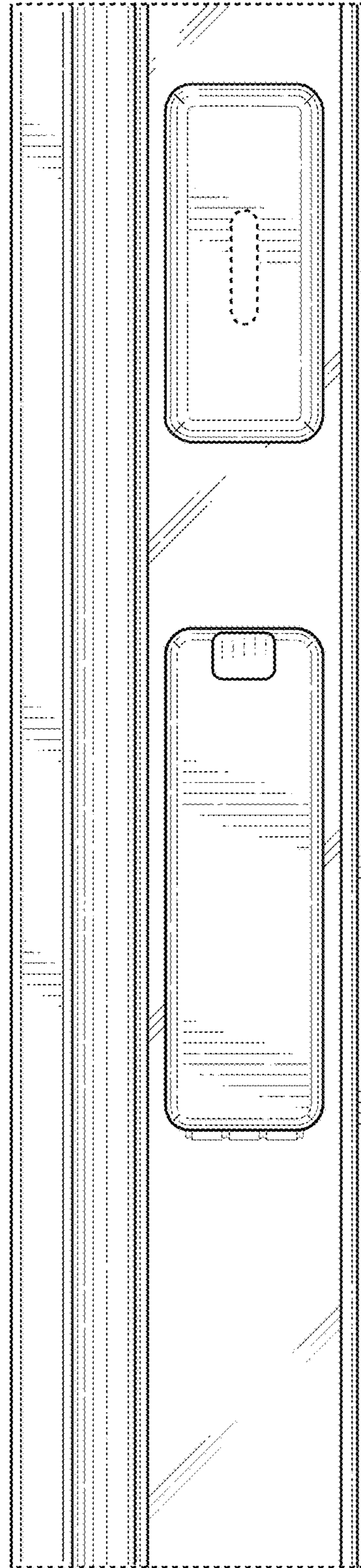


FIG. 4

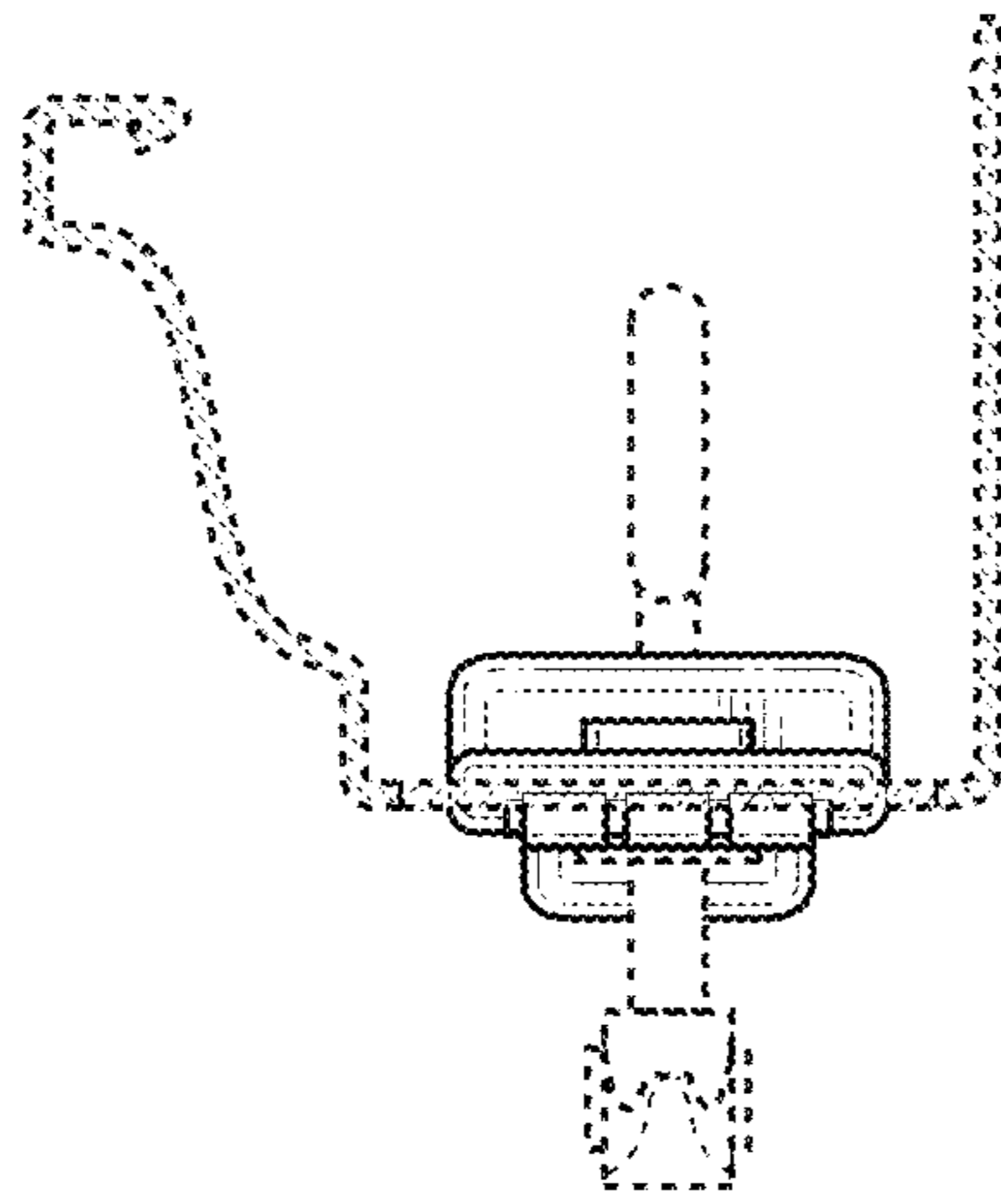


FIG. 5

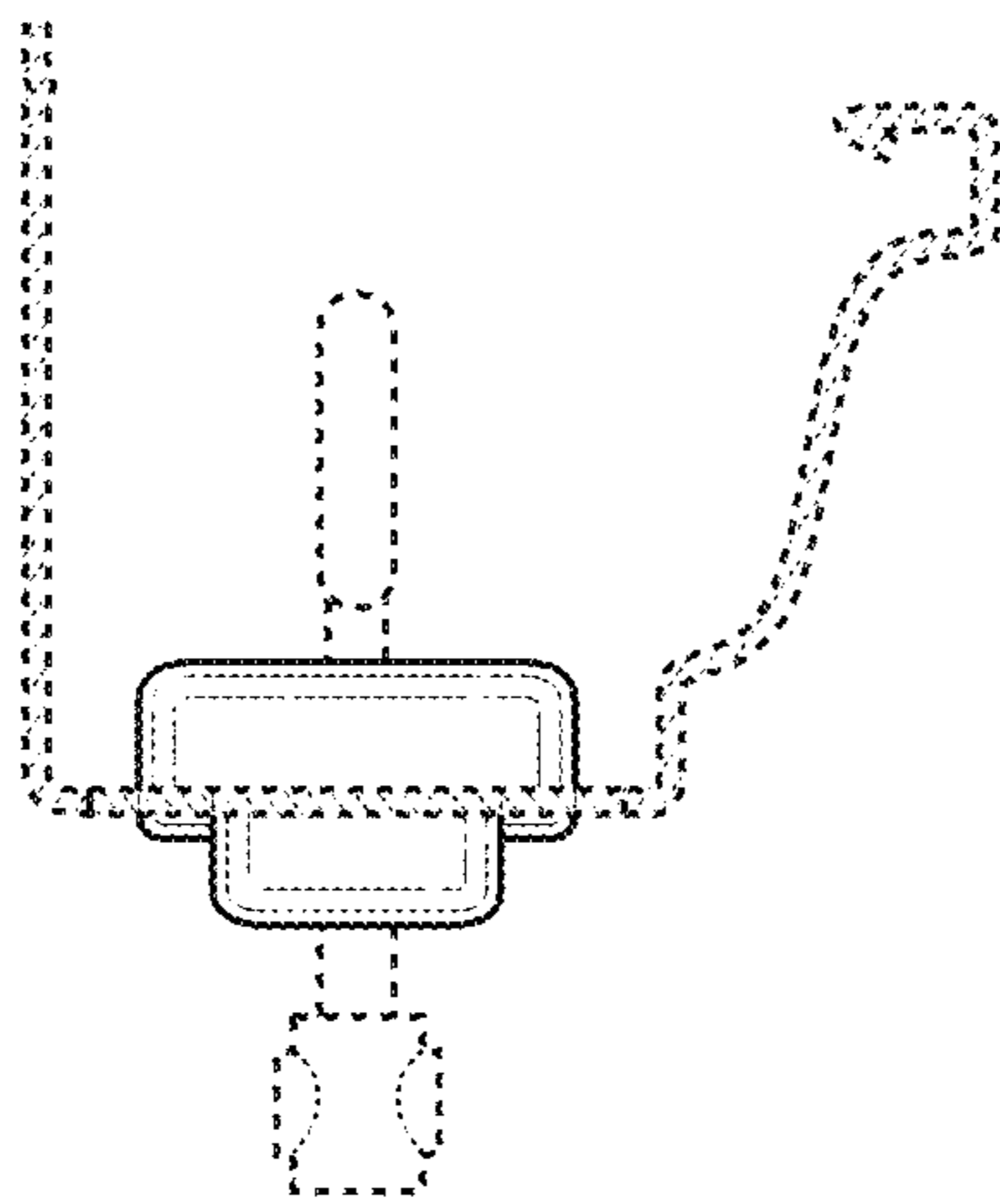


FIG. 6

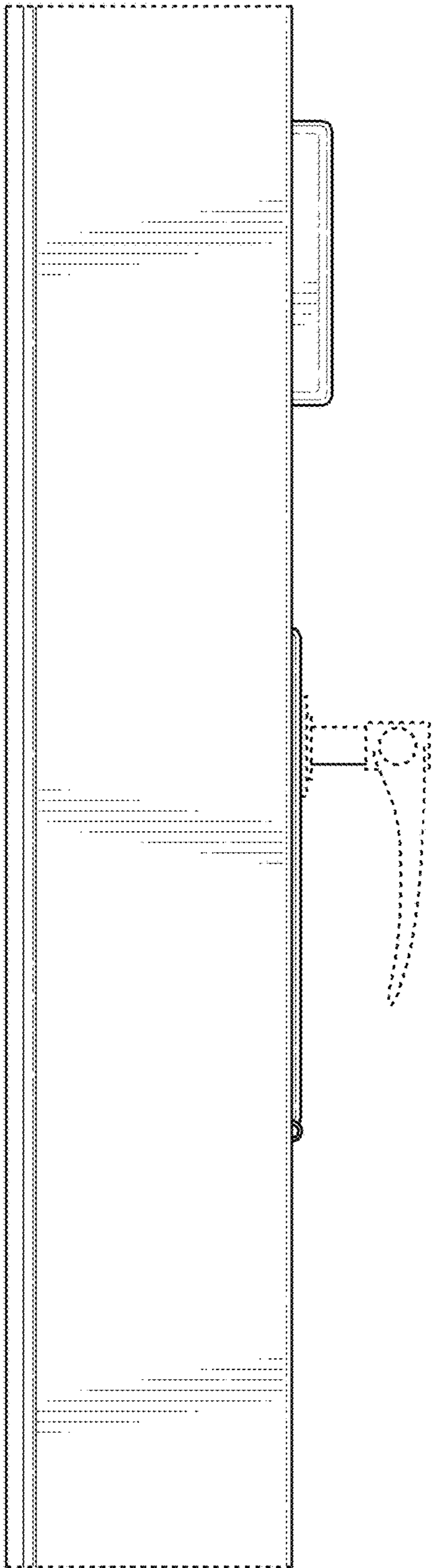


FIG. 7

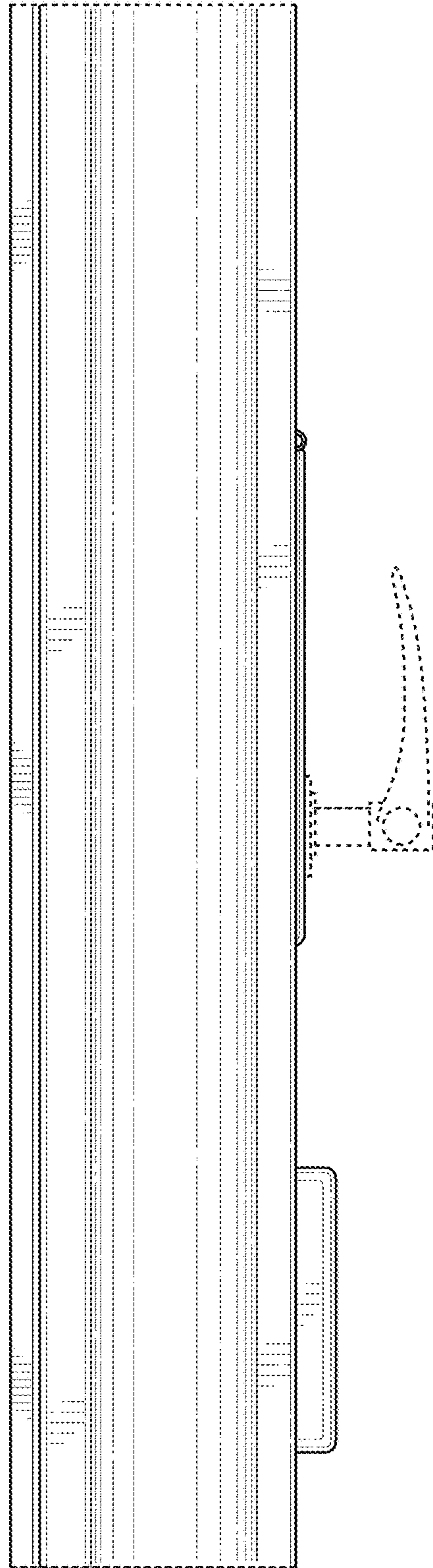


FIG. 8