



US00D815257S

(12) **United States Design Patent**
Fugazza

(10) **Patent No.:** **US D815,257 S**

(45) **Date of Patent:** **** Apr. 10, 2018**

(54) **HYDRAULIC SET**

(71) Applicant: **FUGAS S.p.A.**, Trezzano sul Naviglio (MI) (IT)

(72) Inventor: **Giuseppe Fugazza**, Trezzano sul Naviglio (IT)

(73) Assignee: **FUGAS, S.P.A.**, Trezzano Sul Naviglio (MI) (IT)

(**) Term: **15 Years**

(21) Appl. No.: **29/565,129**

(22) Filed: **May 18, 2016**

(51) **LOC (11) Cl.** **23-01**

(52) **U.S. Cl.**
USPC **D23/263**

(58) **Field of Classification Search**

USPC D23/259, 262–266, 233–237, 258, 268; 285/31, 24, 27, 121.1, 123.3, 148.22, 347, 285/199; 137/12, 47, 220, 804; 138/37, 138/103, 109, 113, 120, 140, 155
CPC . F16L 33/23; F16L 33/28; F16L 33/00; F16L 33/01; F16L 41/00; F16L 41/06; F16L 37/252; F16L 41/007; F16L 55/07; F16L 43/008; E03C 1/26; E03C 1/28; E03C 1/262; E03C 1/122; E03C 1/292; B01D 35/04; B01D 36/006; B01D 29/13; B01D 29/19

See application file for complete search history.

(56) **References Cited**

U.S. PATENT DOCUMENTS

788,803 A	5/1905	Walker et al.	
1,501,225 A	7/1924	Macdonald et al.	
2,039,542 A *	5/1936	Lindquist	F16L 13/08 285/133.3
2,237,672 A	4/1941	Edward et al.	

2,476,908 A	7/1949	Radcliffe et al.	
2,916,310 A	12/1959	Thomas et al.	
3,495,281 A	2/1970	Palowsky et al.	
3,630,547 A	12/1971	Hartshorn et al.	
4,449,741 A	5/1984	Litvin et al.	
5,099,874 A	3/1992	Della Cave	
D335,918 S *	5/1993	Glansk	D23/245
D337,633 S	7/1993	Drager et al.	
D504,715 S	5/2005	Hagihara	
D539,387 S *	3/2007	Donovan	D23/233
D577,103 S	9/2008	Caron et al.	
D617,875 S	6/2010	Bobby et al.	
D621,003 S *	8/2010	Gramegna	D23/233
D622,350 S *	8/2010	Gramegna	D23/233
D623,271 S	9/2010	Yamada	
D625,389 S	10/2010	Norlander	
D678,981 S *	3/2013	Shengyong	D23/233
D705,396 S *	5/2014	Roden	D23/233
D714,910 S	10/2014	Roden	
D720,048 S *	12/2014	Winborn	D23/233
D729,910 S	5/2015	Schulze	

(Continued)

Primary Examiner — Eric L Goodman

Assistant Examiner — Amy C Wierenga

(74) *Attorney, Agent, or Firm* — King & Schickli, PLLC

(57) **CLAIM**

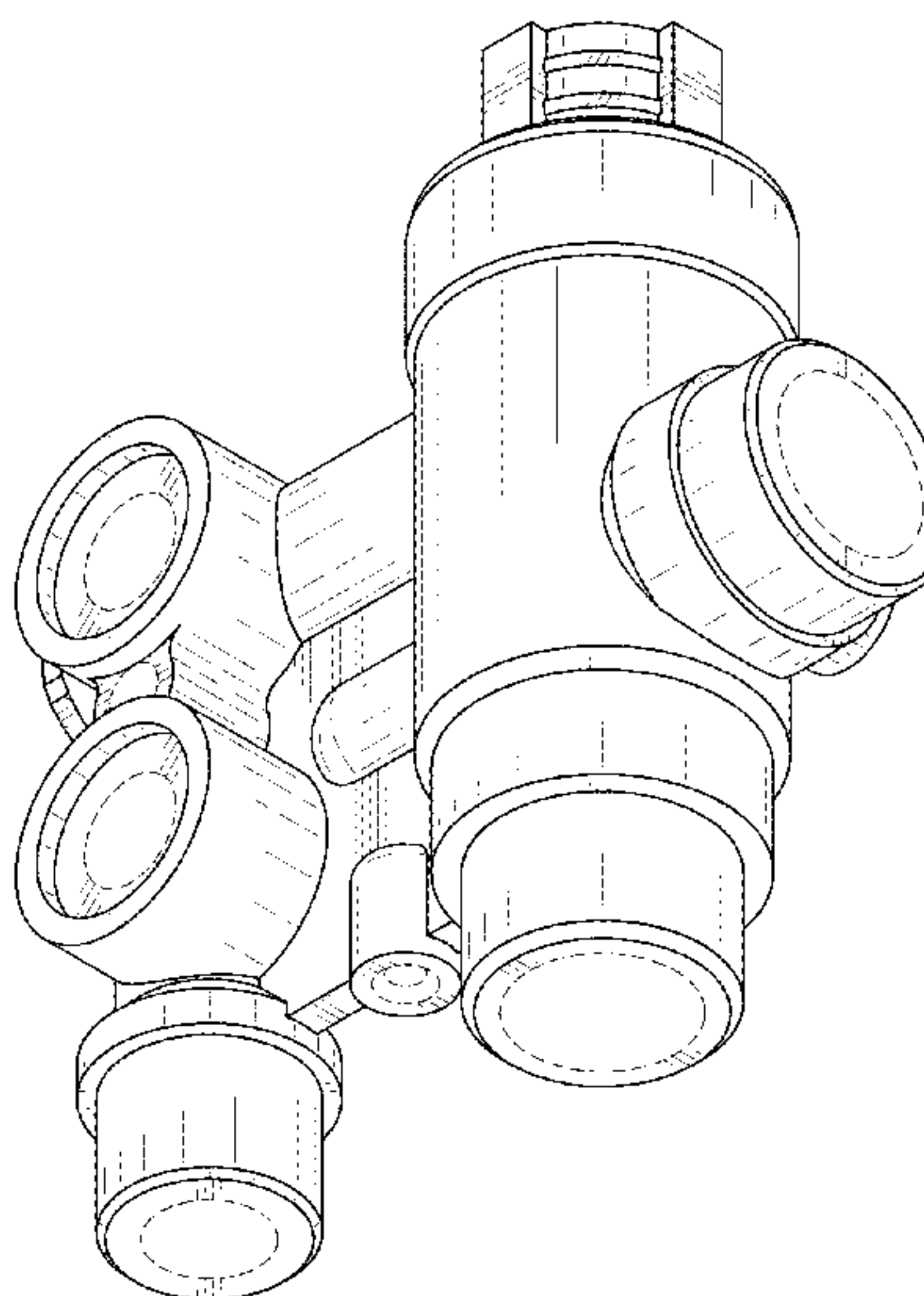
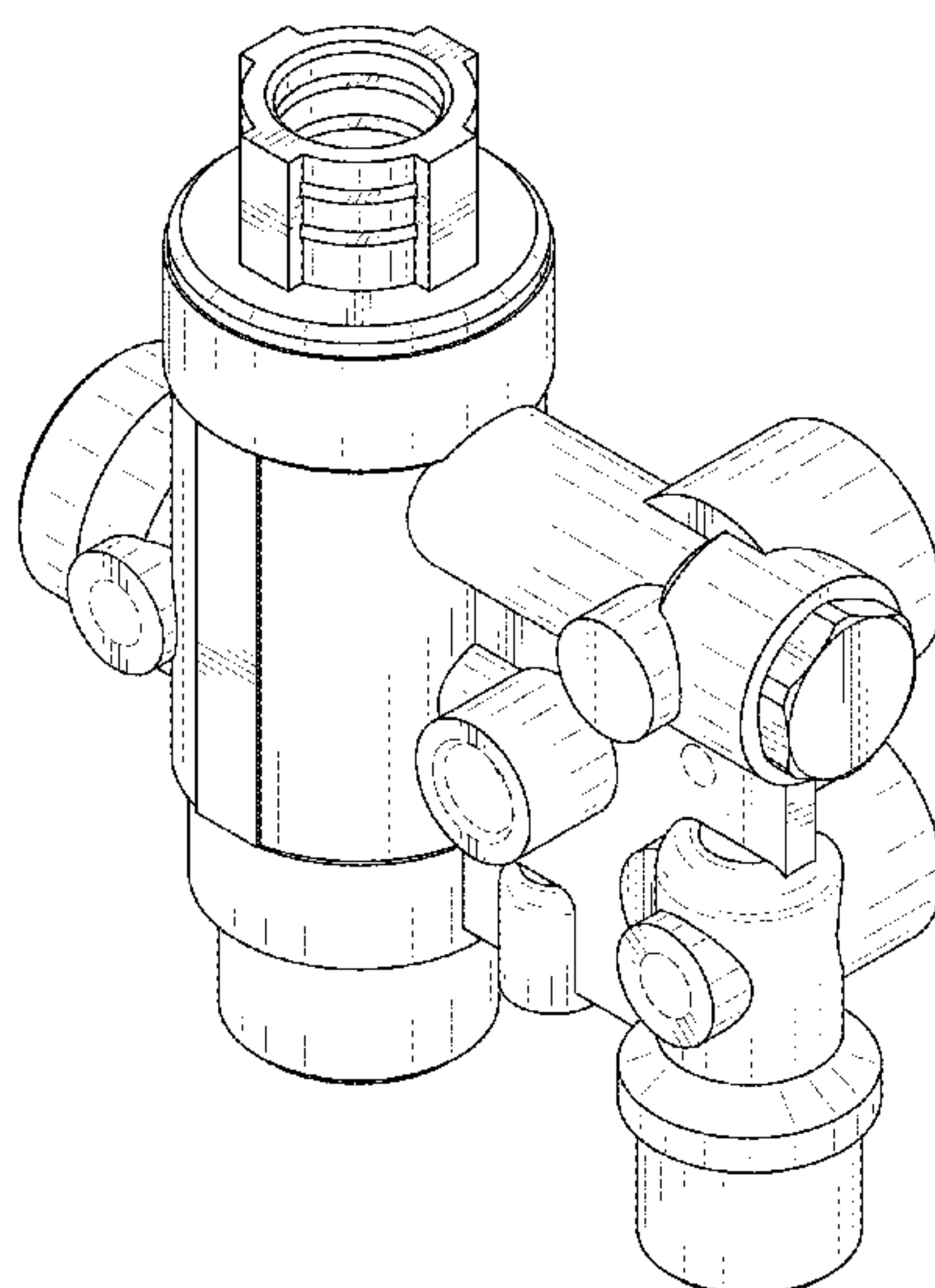
The ornamental design for a hydraulic set, as shown and described.

DESCRIPTION

FIG. 1 is a front perspective view of a hydraulic set; FIG. 2 is a rear perspective view; FIG. 3 is a front view; FIG. 4 is a right side view; FIG. 5 is a rear view; FIG. 6 is a left side view; FIG. 7 is a top view; and, FIG. 8 is a bottom view.

The broken lines in the drawings depict portions of the hydraulic set that form no part of the claim.

1 Claim, 5 Drawing Sheets



(56)

References Cited

U.S. PATENT DOCUMENTS

D730,496	S	*	5/2015	Schulze	D23/266
D737,408	S	*	8/2015	Roden	D23/233
D741,459	S		10/2015	Guest	
D759,214	S		6/2016	Fugazza	
D759,215	S		6/2016	Fugazza	
D772,384	S	*	11/2016	Schulze	D23/266
D773,017	S	*	11/2016	Schulze	D23/266
2006/0089603	A1	*	4/2006	Truitt	A61M 39/02 604/246
2014/0069548	A1		3/2014	Hasegawa	

* cited by examiner

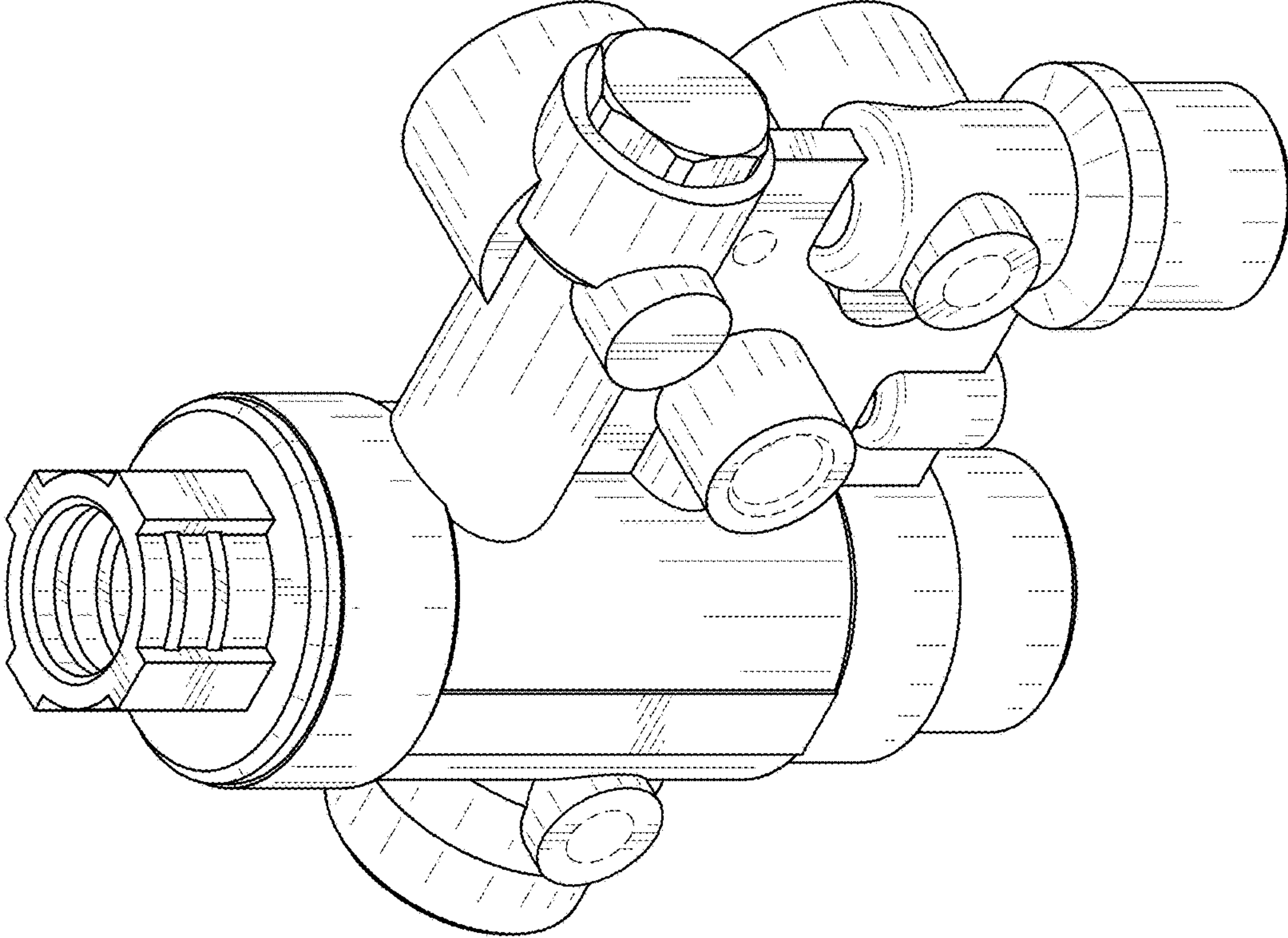


FIG. 1

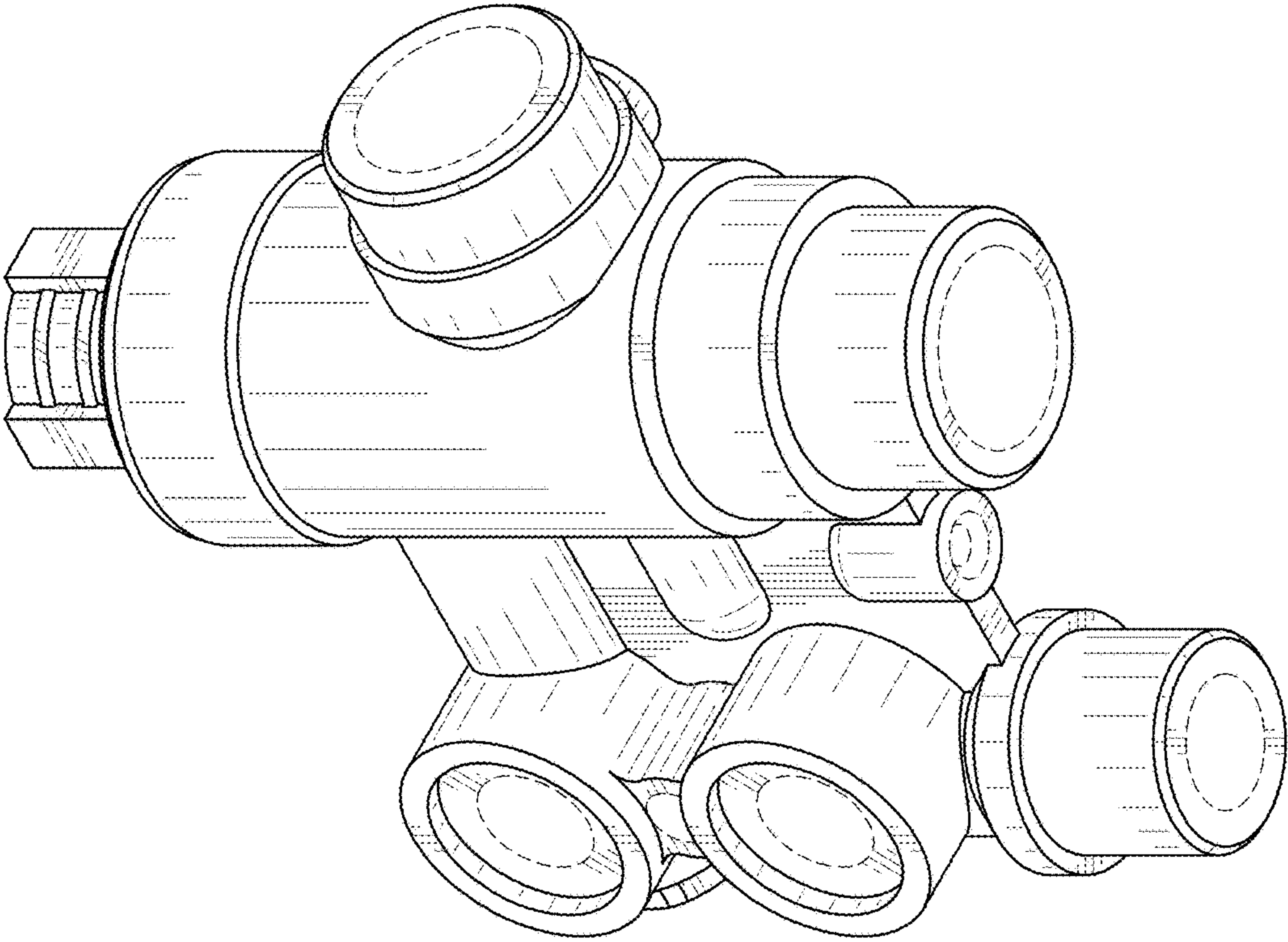


FIG. 2

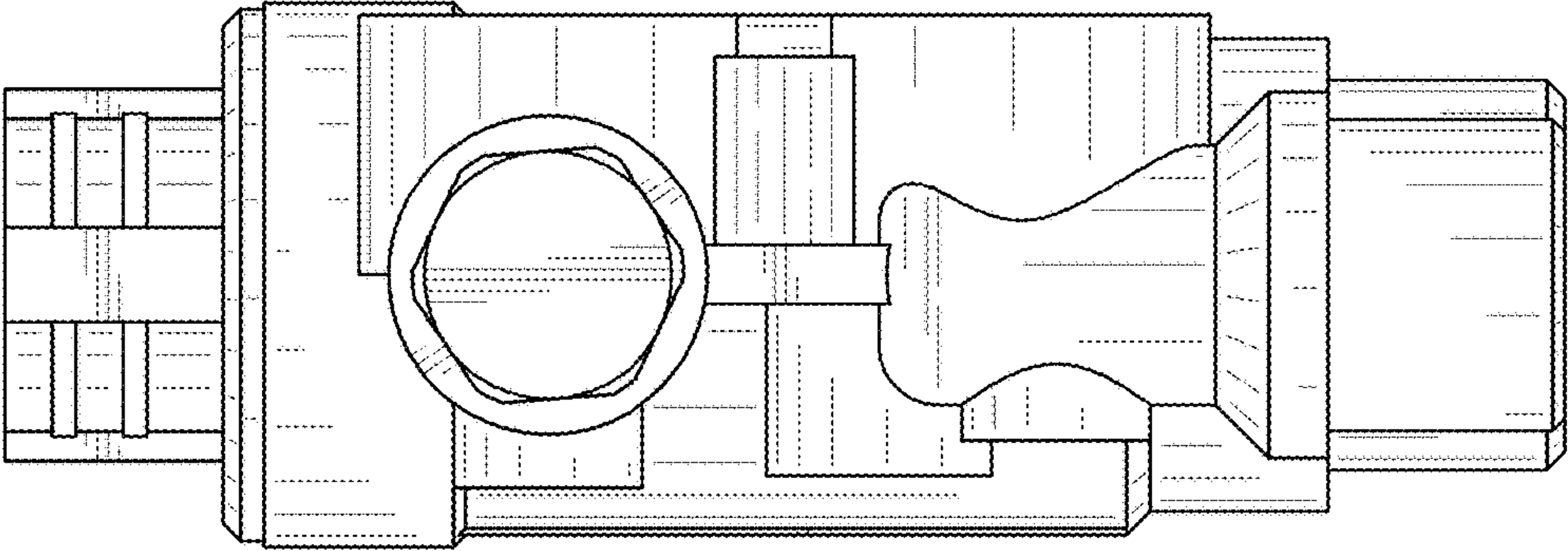


FIG. 4

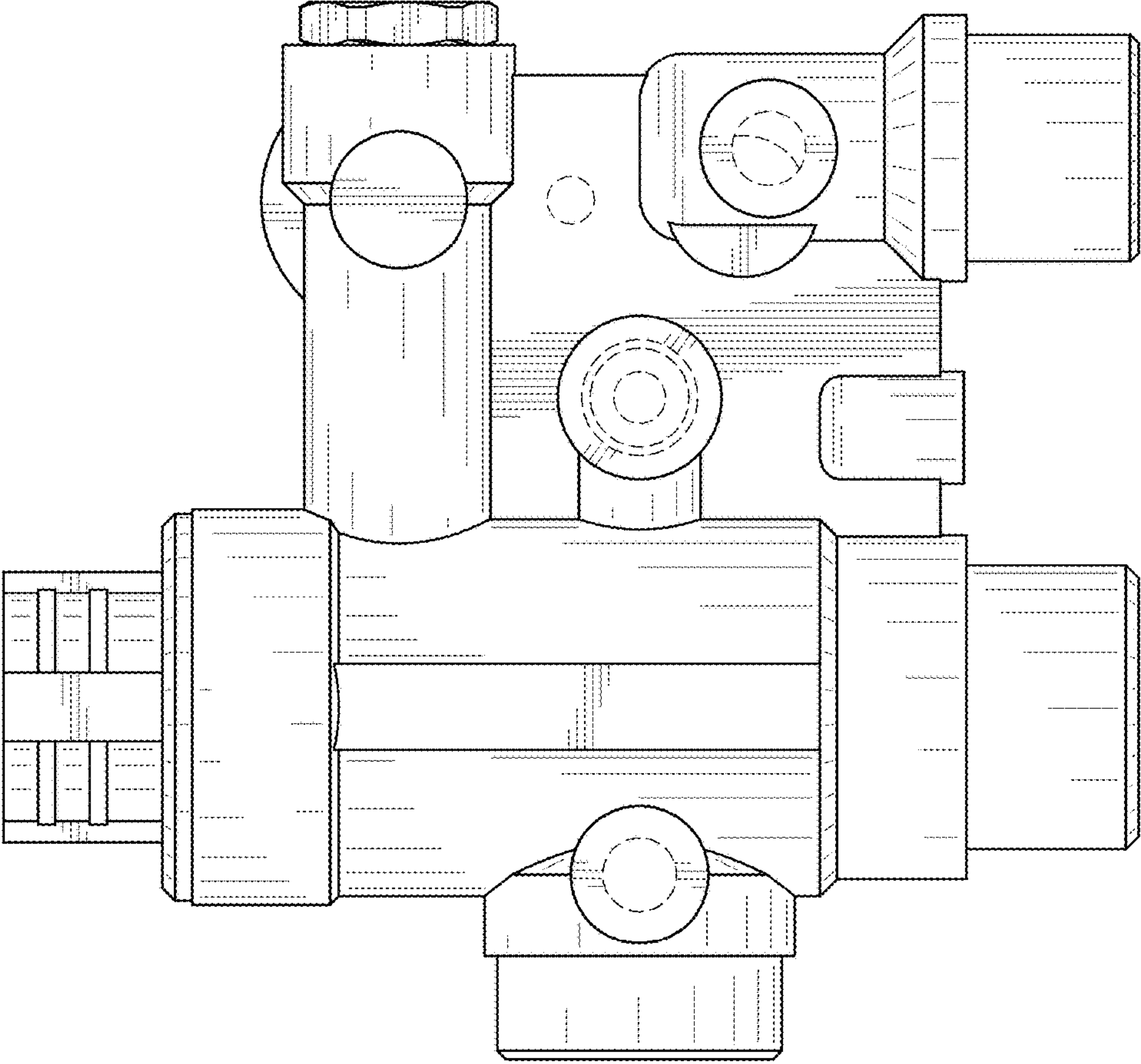


FIG. 3

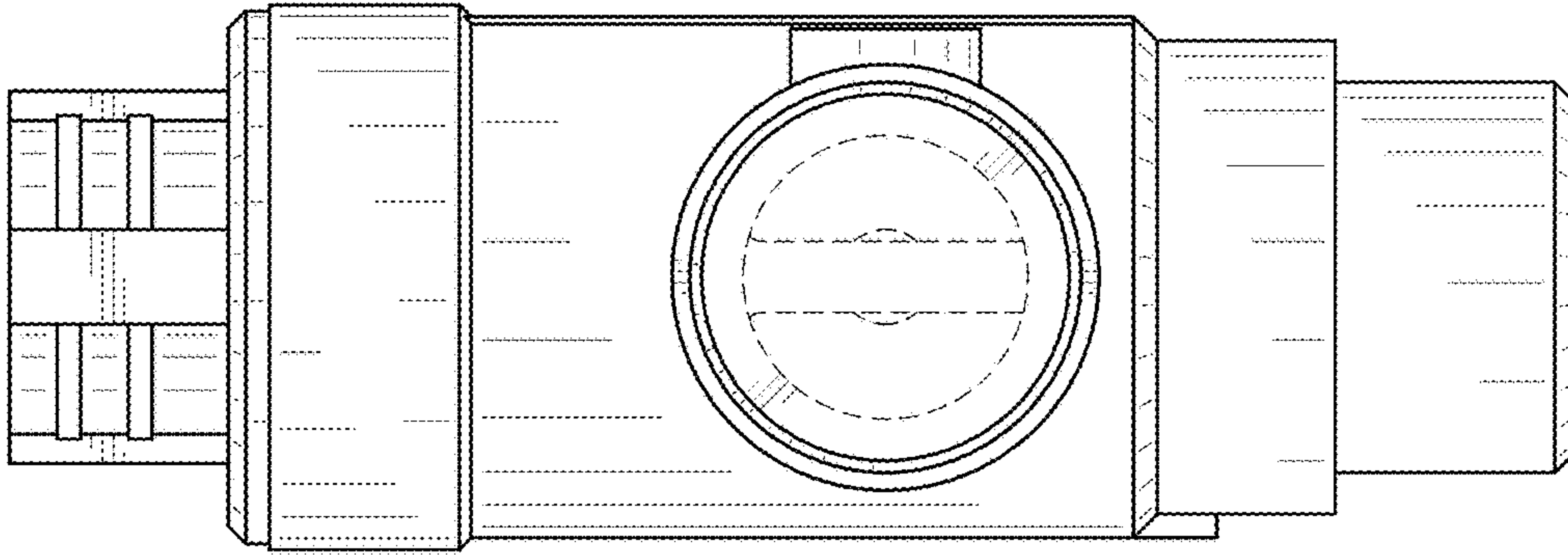


FIG. 6

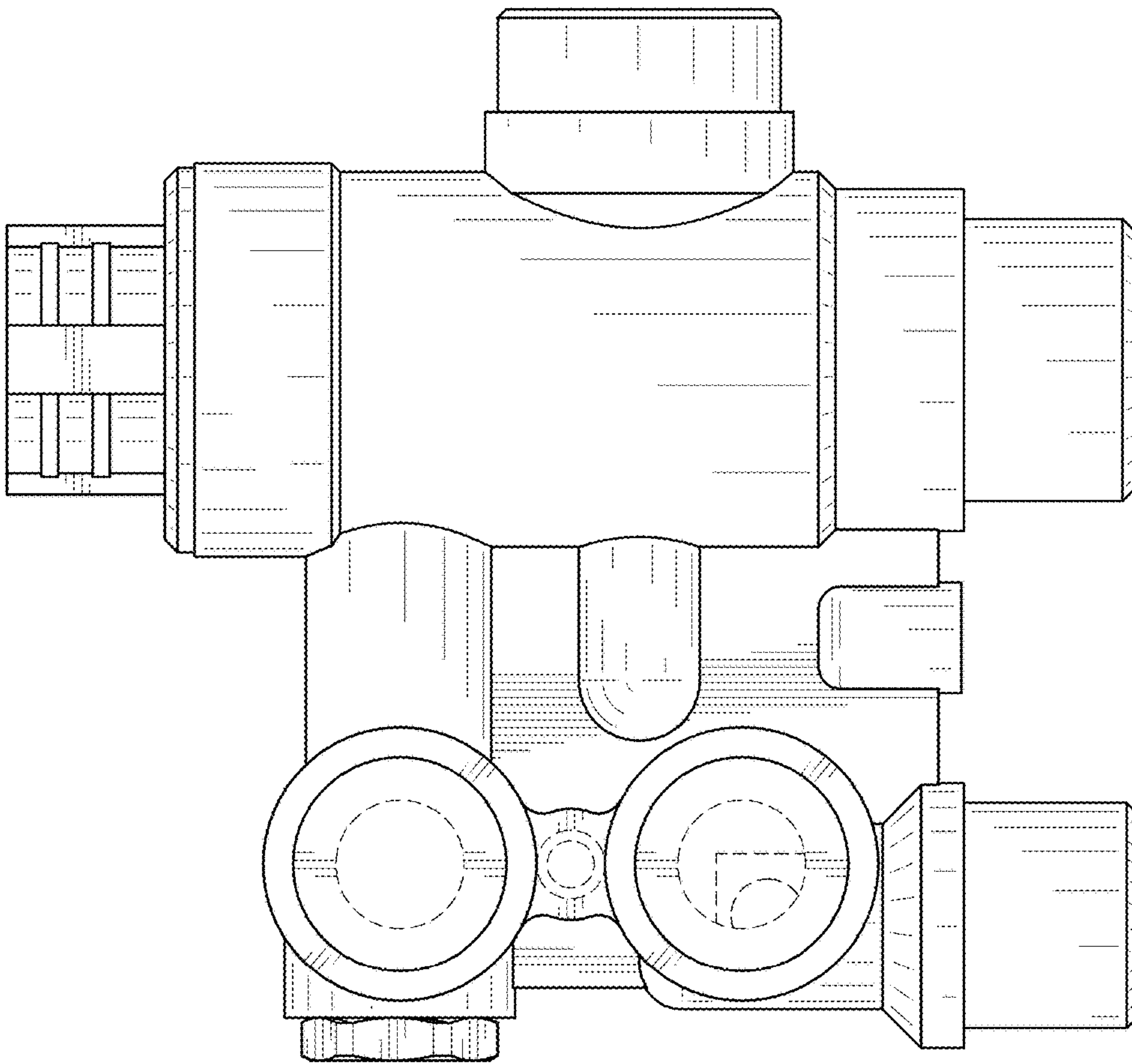


FIG. 5

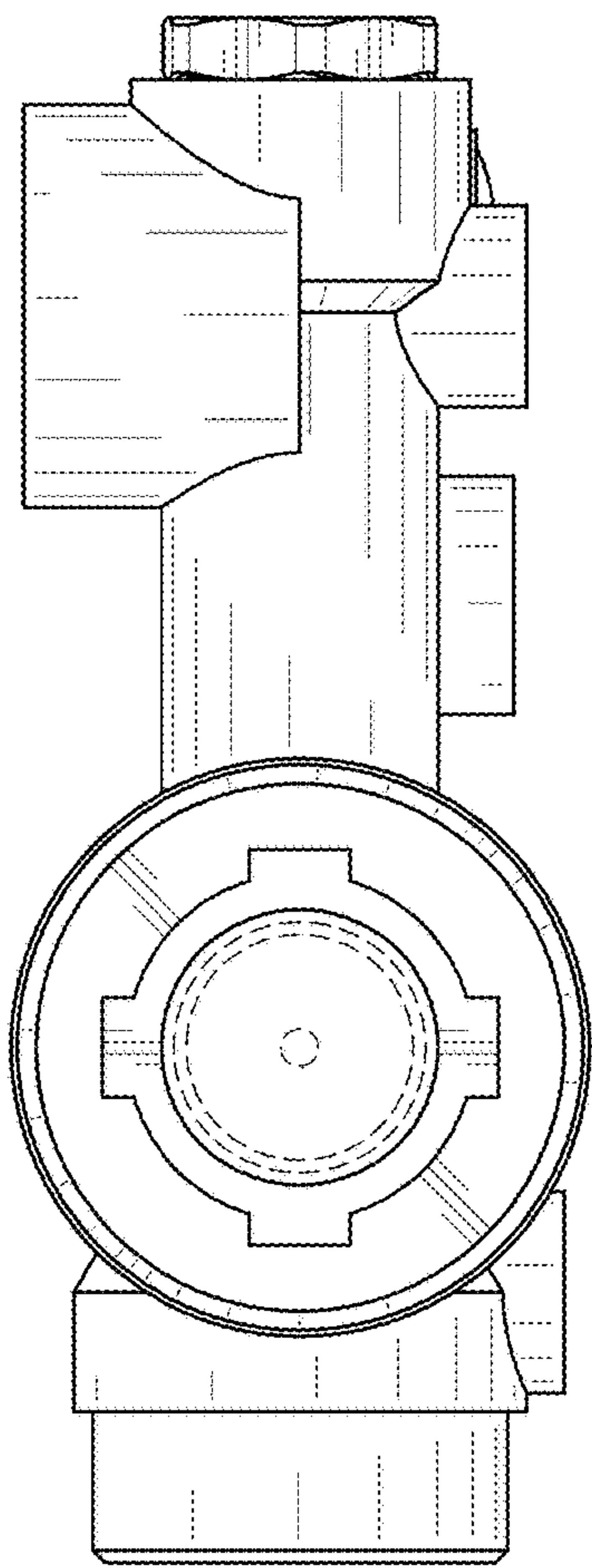


FIG. 7

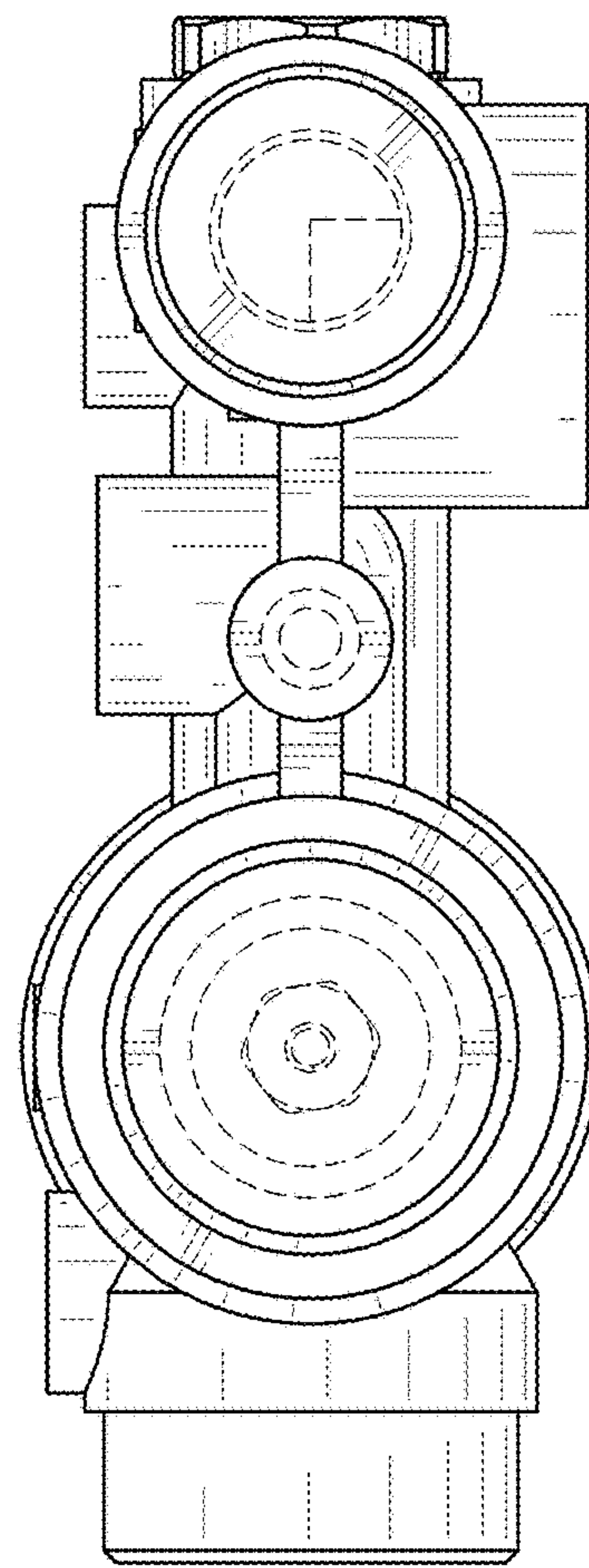


FIG. 8