



US00D815256S

(12) **United States Design Patent**
Norman et al.

(10) **Patent No.:** **US D815,256 S**
(45) **Date of Patent:** **** Apr. 10, 2018**

- (54) **FERRULE**
- (71) Applicant: **Agilent Technologies, Inc.**, Santa Clara, CA (US)
- (72) Inventors: **Wesley M. Norman**, Ludenberg, PA (US); **Wei J. Song**, Wilmington, DE (US)
- (73) Assignee: **Agilent Technologies, Inc.**, Santa Clara, CA (US)
- (**) Term: **15 Years**
- (21) Appl. No.: **29/594,829**
- (22) Filed: **Feb. 22, 2017**

Related U.S. Application Data

- (62) Division of application No. 29/531,557, filed on Jun. 26, 2015.
- (51) **LOC (11) Cl.** **23-01**
- (52) **U.S. Cl.**
USPC **D23/259**; D24/112
- (58) **Field of Classification Search**
USPC D23/209, 213, 233, 259–266; D24/108, D24/110.6, 112, 129; D8/382; D13/127, D13/129, 132–133, 154–156; 138/39, 44; 285/58, 83, 332; 72/370.11; D9/439; D7/387
CPC F16L 19/061; F16L 19/07; F16L 19/03; F16L 19/10; F16L 19/103; F16L 21/04; F16L 25/00; F16F 1/38; G01N 30/60139; G01N 1/10
See application file for complete search history.

(56) **References Cited**

U.S. PATENT DOCUMENTS

- 2,287,889 A 6/1942 Krumsiek et al.
- 2,381,554 A 8/1942 Norgren

- 2,463,707 A 7/1947 Matousek
- 3,055,684 A 9/1962 Currie
- 3,229,341 A * 1/1966 Maras F16G 11/05
403/275
- 3,498,647 A 3/1970 Schroder
- 3,893,716 A 7/1975 Moreiras et al.
- 4,205,417 A 6/1980 Mackal
- 4,263,592 A 4/1981 Takahashi et al.
- D262,397 S * 12/1981 Ryan D23/262
- 4,586,731 A 5/1986 Castrup

(Continued)

FOREIGN PATENT DOCUMENTS

- WO 2012009726 A1 1/2012
- WO 2014007820 A1 1/2014

OTHER PUBLICATIONS

316 Stainless Steel Swagelok Tube Fittings; www.swagelok.com.

(Continued)

Primary Examiner — Eric L Goodman
Assistant Examiner — Amy C Wierenga

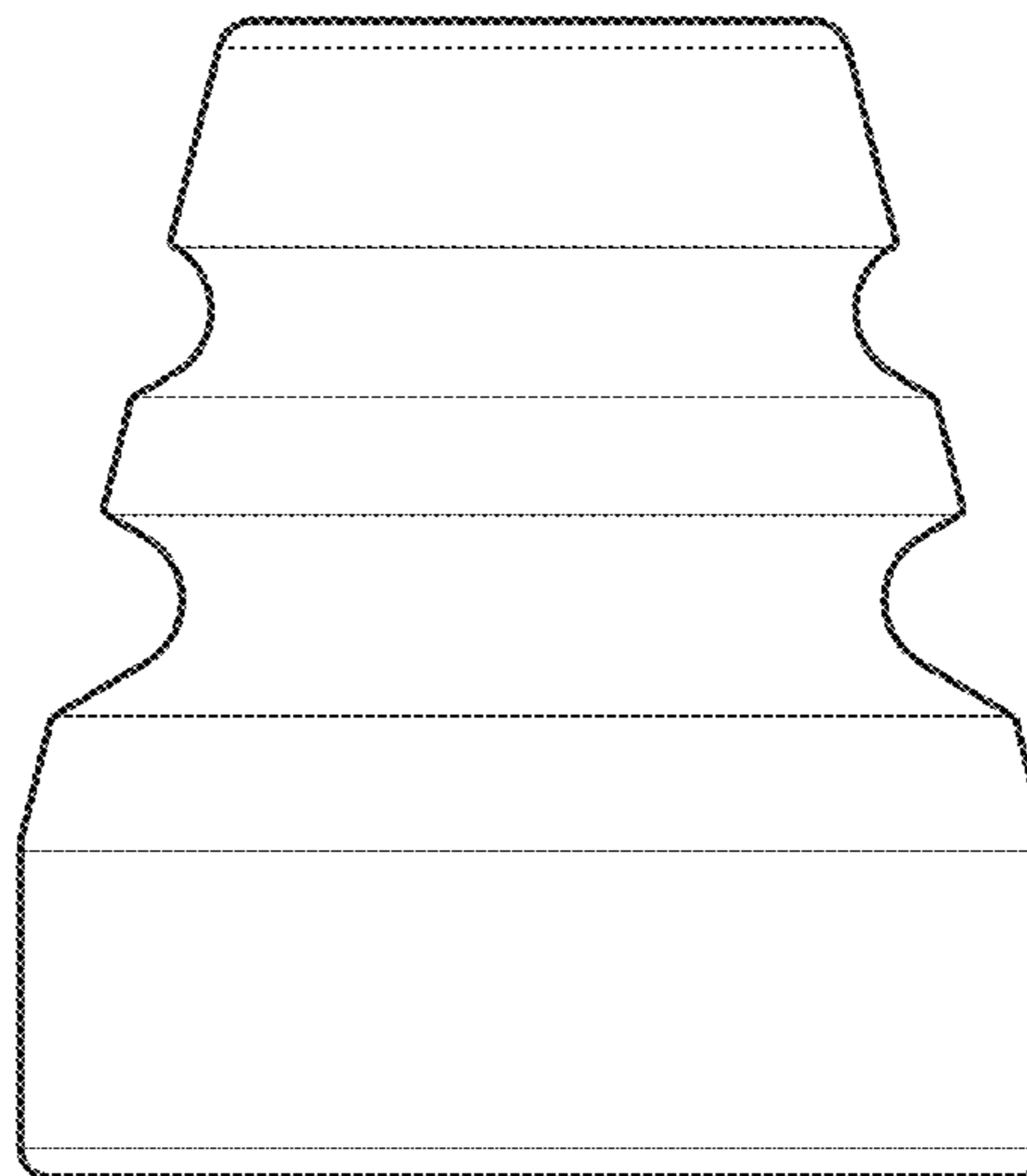
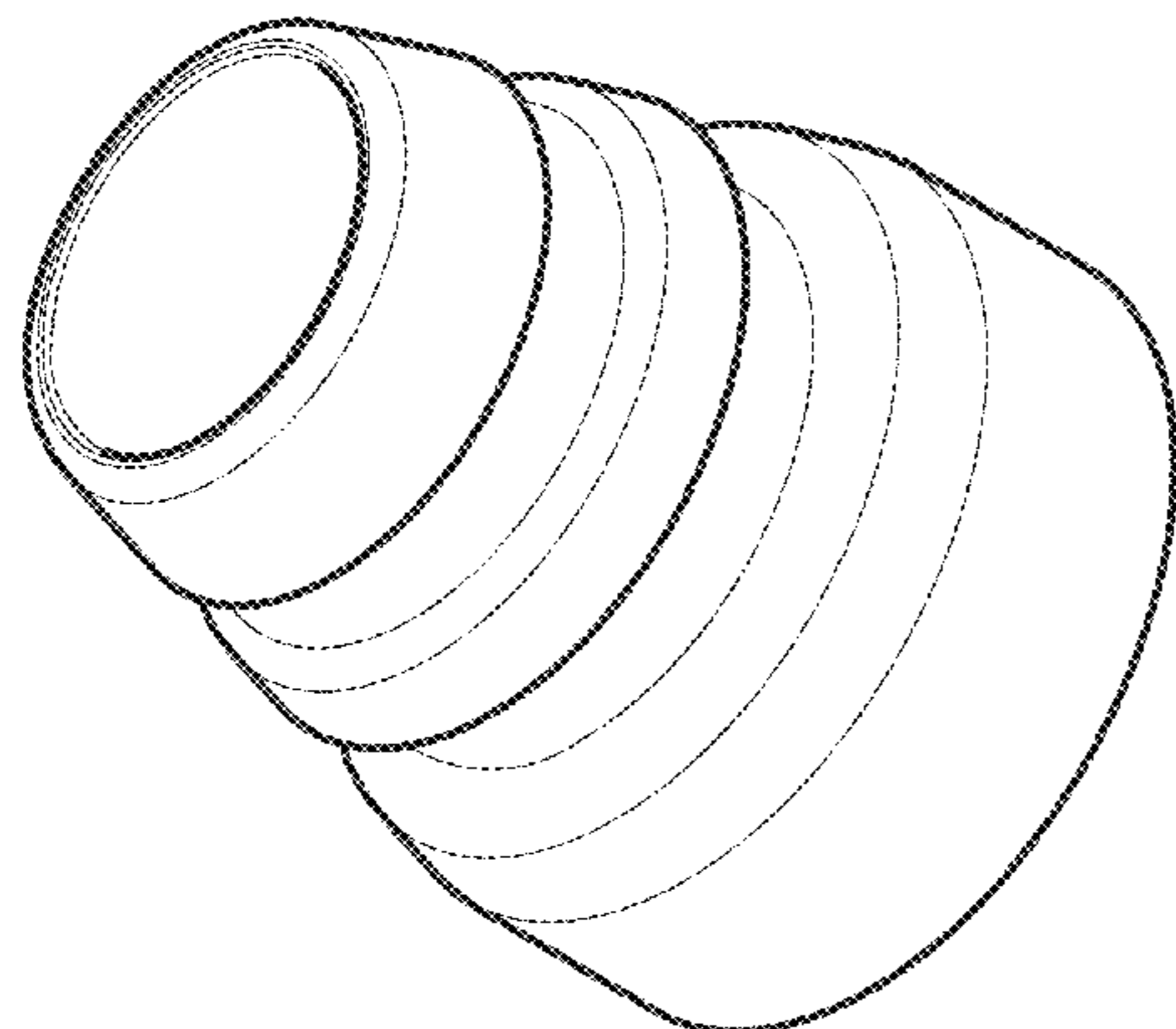
(57) **CLAIM**

We claim the ornamental design for a ferrule, as shown and described.

DESCRIPTION

FIG. 1 is a front perspective view of a ferrule according to our new design.
 FIG. 2 is a rear perspective view of the ferrule illustrated in FIG. 1.
 FIG. 3 is a side view of the ferrule illustrated in FIG. 1.
 FIG. 4 is a front end view of the ferrule illustrated in FIG. 1; and,
 FIG. 5 is a rear end view of the ferrule illustrated in FIG. 1.
 The dashed lines depict portions of the ferrule that form no part of the claim.

1 Claim, 3 Drawing Sheets



(56)

References Cited

U.S. PATENT DOCUMENTS

4,890,867 A * 1/1990 Briggs F16L 23/032
285/256

5,191,888 A 3/1993 Palmer et al.

5,288,113 A 2/1994 Silvis et al.

5,317,799 A * 6/1994 Chapman F16L 33/2076
285/256

5,328,160 A 7/1994 McLaughlin

5,381,497 A 1/1995 Toland et al.

5,390,269 A 2/1995 Palecek et al.

5,399,173 A * 3/1995 Parks A61J 15/0026
16/2.1

5,540,464 A 7/1996 Picha

5,595,406 A 1/1997 Warchol

D383,053 S 9/1997 Schrader et al.

D383,378 S 9/1997 Schrader et al.

5,669,637 A 9/1997 Chitty et al.

5,720,734 A 2/1998 Copenhaver et al.

D398,935 S 9/1998 Chevalier

5,857,719 A 1/1999 Hansen

6,056,331 A 5/2000 Benett et al.

6,086,574 A 7/2000 Carroll et al.

6,102,449 A 8/2000 Welsh

6,131,963 A 10/2000 Williams et al.

6,152,885 A 11/2000 Taepke

6,575,501 B1 6/2003 Loy

6,629,708 B2 10/2003 Williams et al.

6,709,027 B2 3/2004 Rittenhouse

D497,300 S 10/2004 Chen

6,851,729 B2 2/2005 Gibson

6,905,252 B2 6/2005 Wisecarver

6,926,313 B1 8/2005 Renzi

6,969,095 B2 11/2005 Rittenhouse

6,981,720 B2 1/2006 White et al.

7,048,448 B2 5/2006 Rosenberg et al.

7,066,496 B2 6/2006 Williams et al.

7,108,288 B2 9/2006 Bennett et al.

7,118,290 B2 10/2006 Ishigami et al.

7,316,777 B2 1/2008 Loy

7,367,595 B2 5/2008 Williams et al.

7,527,436 B2 5/2009 Hodge et al.

7,695,027 B2 4/2010 Williams et al.

7,708,470 B2 5/2010 Cooke et al.

7,735,878 B2 6/2010 Keene

7,878,716 B2 2/2011 Morgenstern

D639,657 S 6/2011 Hoyt et al.

D647,183 S 10/2011 Bertram

8,038,180 B2 10/2011 Williams et al.

8,128,131 B2 3/2012 Barnett et al.

D670,776 S 11/2012 Fossum et al.

8,337,094 B2 12/2012 Drake

D676,126 S 2/2013 Hair

D678,967 S 3/2013 Fossum et al.

8,783,486 B1 7/2014 Hoyt et al.

D711,328 S 8/2014 Purdy et al.

D714,372 S 9/2014 Savill

D722,364 S 2/2015 Reinhardt

D735,853 S 8/2015 Pa

9,151,734 B2 * 10/2015 Ellis G01N 30/6039

D775,326 S * 12/2016 Shulman D24/120

D777,903 S * 1/2017 Schultz D24/108

D783,815 S * 4/2017 Lewis D24/129

2005/0033269 A1 * 2/2005 Decaria A61M 39/10
604/533

2006/0169628 A1 * 8/2006 Loy, Jr. B01L 3/565
210/198.2

2008/0025671 A1 * 1/2008 Boutoussov A61B 18/203
385/80

2008/0054626 A1 3/2008 Bearer et al.

2009/0295156 A1 12/2009 Ford et al.

2010/0123309 A1 * 5/2010 Miller F16L 33/2076
285/256

2010/0123310 A1 * 5/2010 Miller F16L 33/20
285/256

2010/0133806 A1 6/2010 Barnett et al.

2010/0224546 A1 9/2010 Ellis et al.

2011/0107823 A1 5/2011 Dehmer

2011/0173798 A1 * 7/2011 Miller F16L 33/2076
29/506

2011/0303593 A1 12/2011 Reinhardt

2013/0022317 A1 * 1/2013 Norris G02B 6/3865
385/78

2013/0043672 A1 * 2/2013 Jeannotte B01L 3/502715
285/123.12

2013/0147182 A1 * 6/2013 Murphy F16L 19/005
285/81

2014/0178006 A1 * 6/2014 Dunn, Jr. G02B 6/3821
385/60

2014/0375050 A1 12/2014 Zeko et al.

2015/0036982 A1 * 2/2015 Nhep G02B 6/3887
385/86

2015/0145246 A1 5/2015 Pa

2015/0284174 A1 * 10/2015 Vogels B65D 83/0445
221/1

2016/0377203 A1 * 12/2016 Norman F16L 21/08
285/382.7

OTHER PUBLICATIONS

Ferrule Selection; SilTite Metal Ferrules; <http://www.sge.com/support/training/injection/ferrule-selection>; TrajanScientific Australia Pty Ltd (2015).

FlexiMetal ferrule system for CFT devices; <http://www.sge.com/products/gc-lc-supplies/gc-ferrules/siltite-metal-ferrules3>; TrajanScientific Australia Pty Ltd (2015).

IP.com Electronic Publication No. 000239661, "Soft Metal Ferrule with Improved Sealing", Nov. 2014.

SilTite FingerTite; <http://www.sge.com/products/gc-lc-supplies/gc-supplies/gc-ferrules3/siltite-fingertite>; TrajanScientific Australia Pty Ltd (2015).

Valco Instruments Co. Inc. VICI AGT International; VALCO Fittings; http://www.vici.com/vfit/fs_intro.php (2014).

Final Office action dated Jun. 2, 2017 from related U.S. Appl. No. 29/531,557.

* cited by examiner

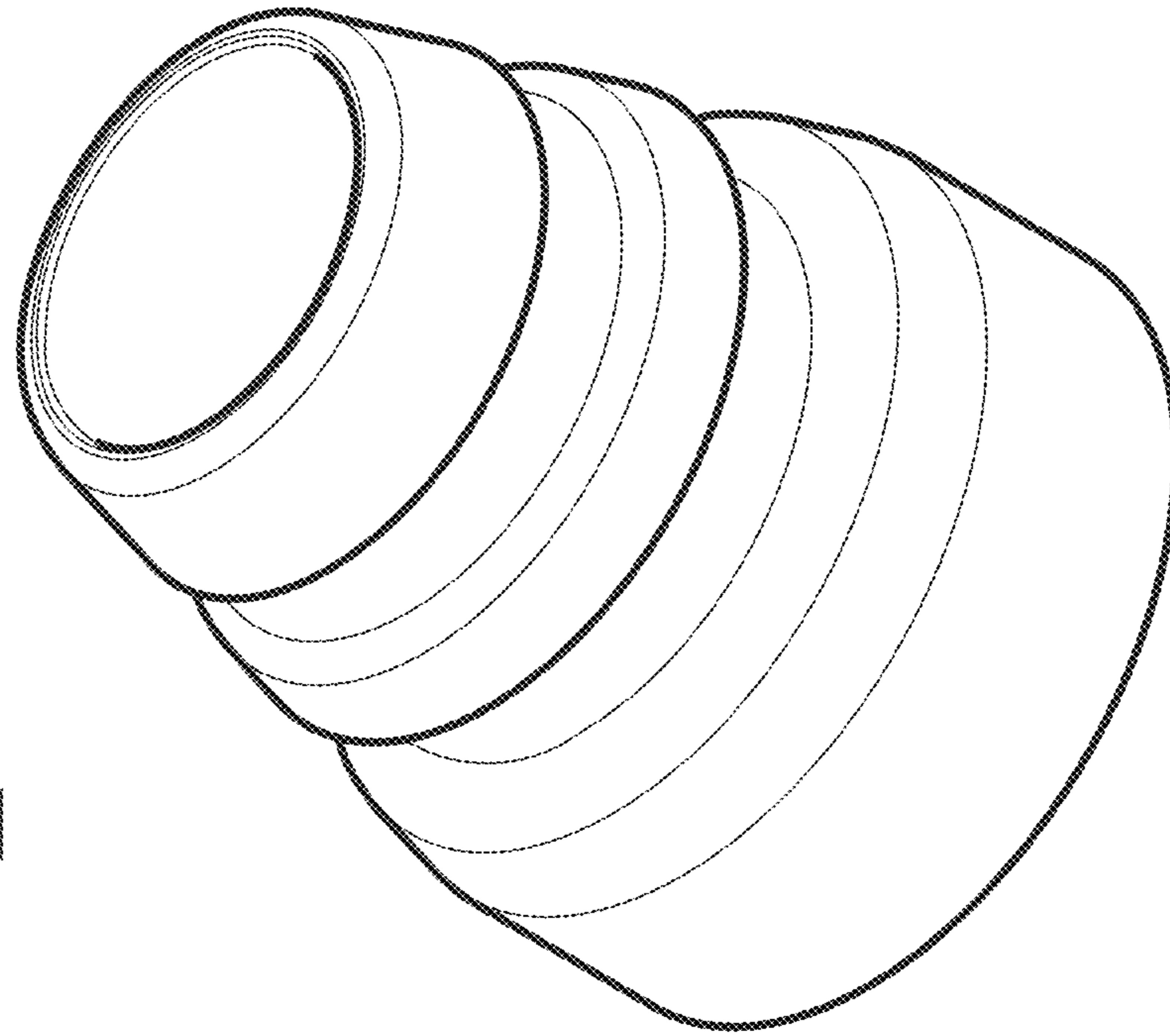


FIG. 1

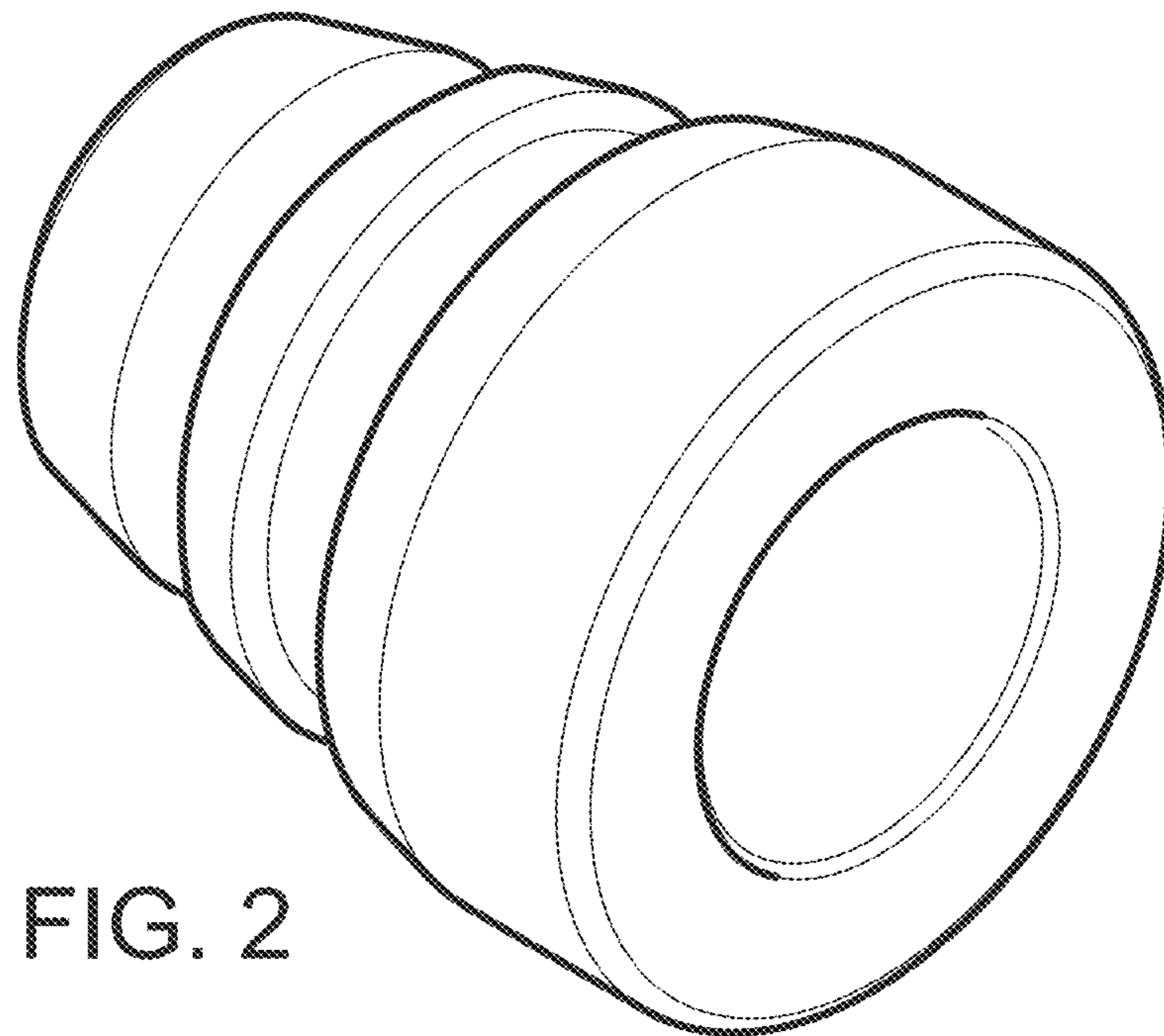


FIG. 2

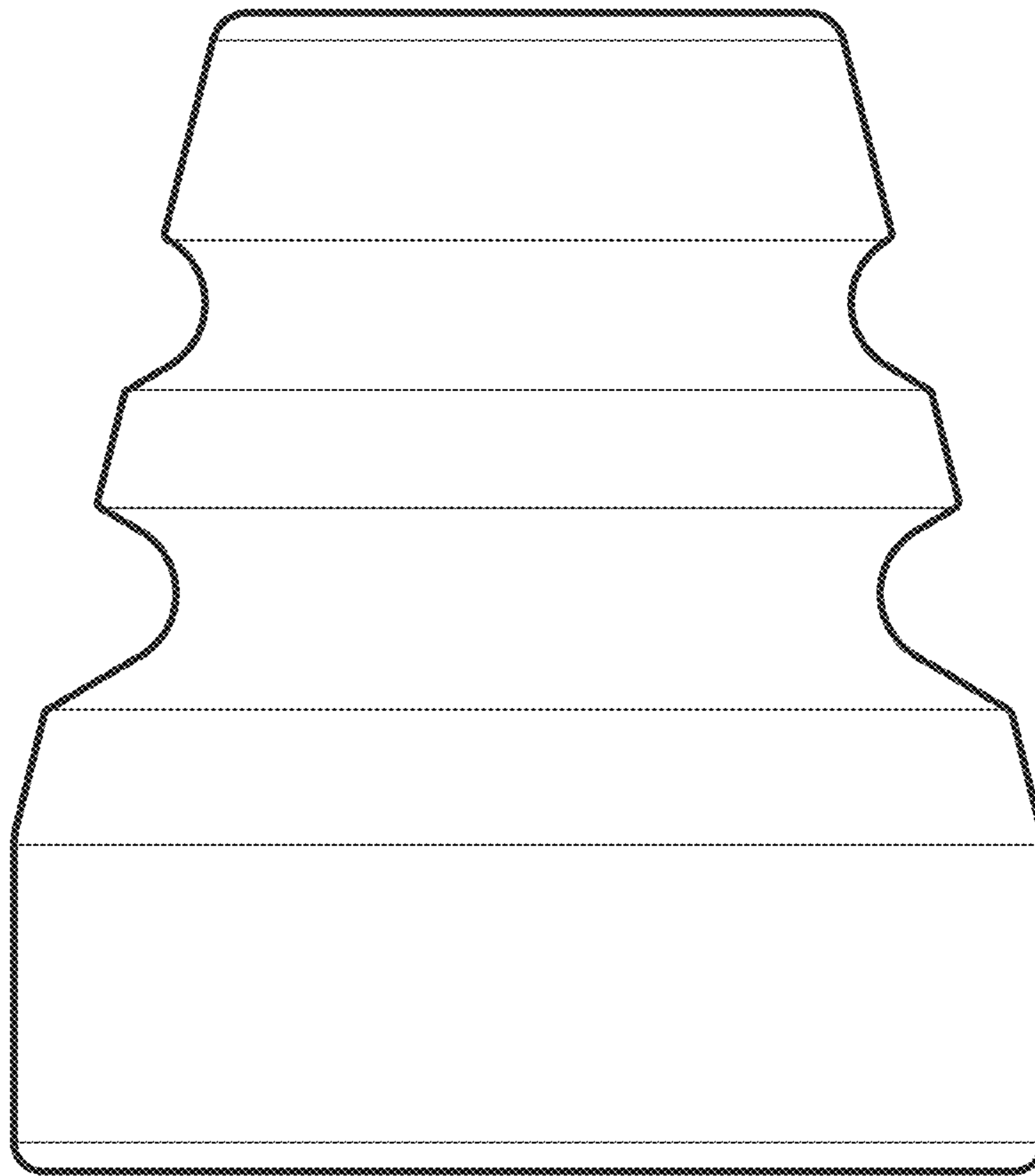


FIG. 3

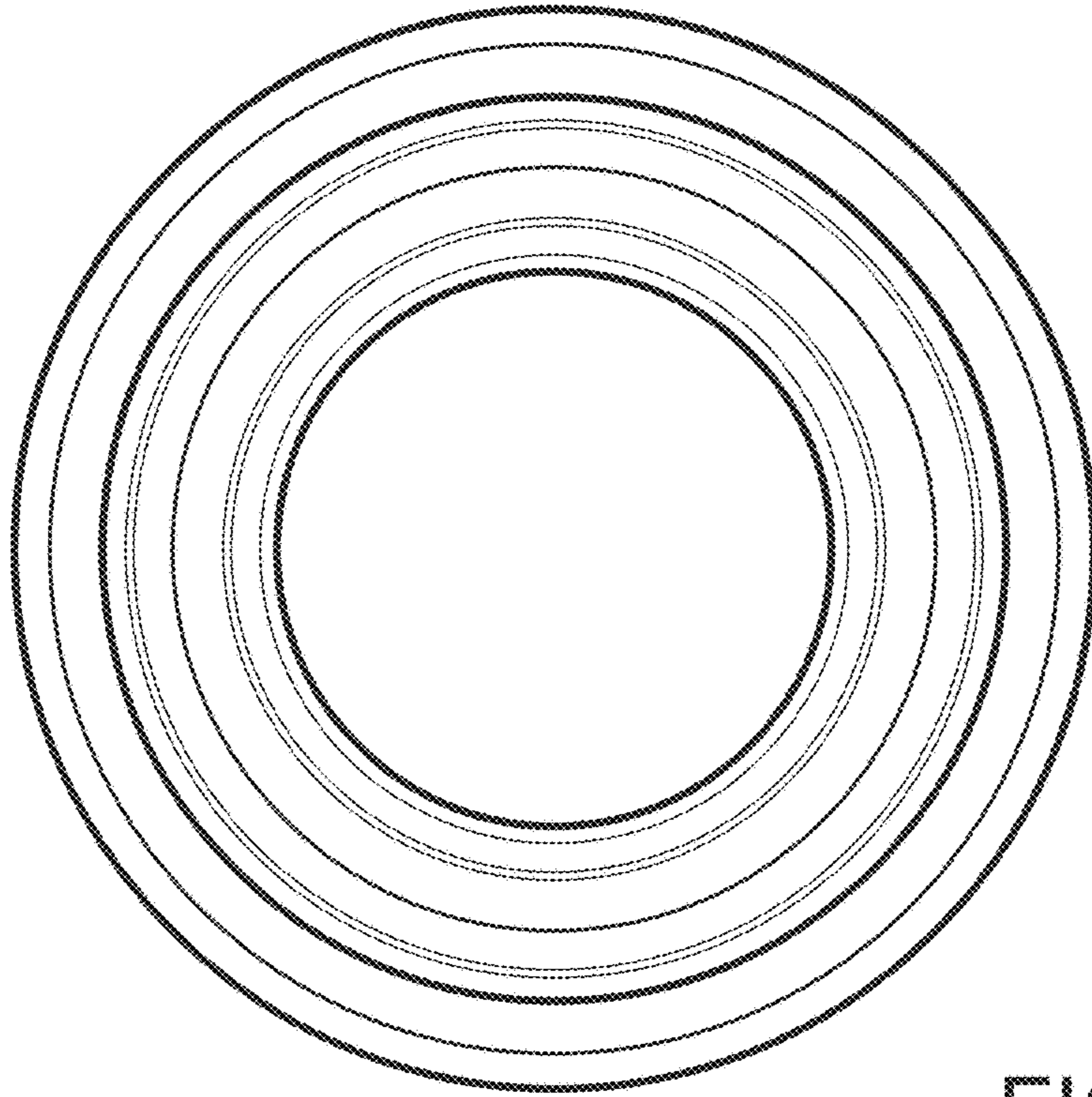


FIG. 4

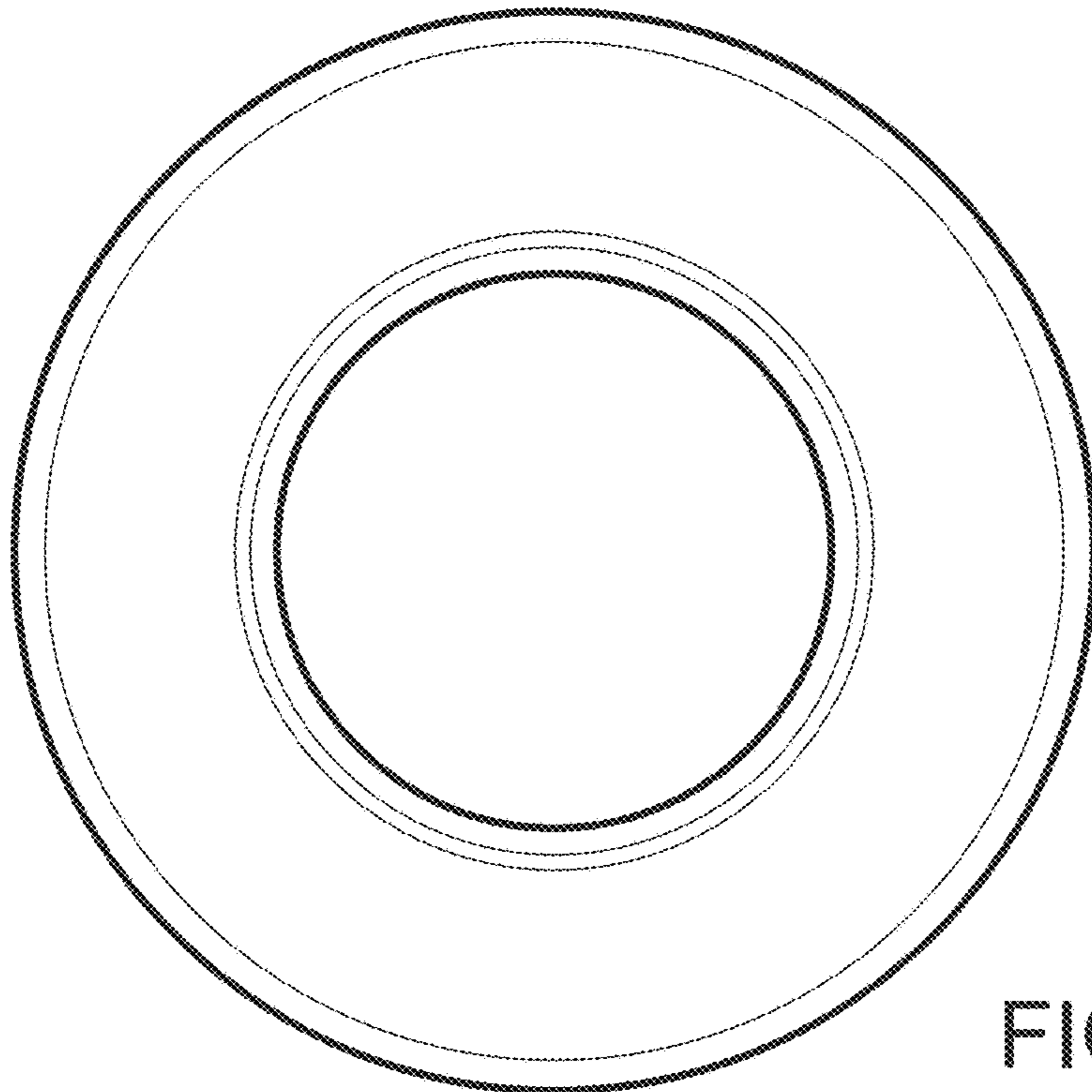


FIG. 5