



US00D815255S

(12) **United States Design Patent**
Garland

(10) **Patent No.:** **US D815,255 S**

(45) **Date of Patent:** **** Apr. 10, 2018**

(54) **TUB SPOUT**

(71) Applicant: **DELTA FAUCET COMPANY,**
Indianapolis, IN (US)

(72) Inventor: **Celine Kwok Garland,** Zionsville, IN
(US)

(73) Assignee: **DELTA FAUCET COMPANY,**
Indianapolis, IN (US)

(**) Term: **15 Years**

(21) Appl. No.: **29/595,204**

(22) Filed: **Feb. 27, 2017**

(51) **LOC (11) Cl.** **23-01**

(52) **U.S. Cl.**
USPC **D23/255**

(58) **Field of Classification Search**
USPC D23/237, 238, 240-243, 249, 254, 255,
D23/257; D6/524
CPC E03C 1/0401; E03C 1/04; E03C 1/0402;
E03C 1/0404; B25B 23/16; C02F 1/50;
A47K 5/14; Y10T 137/9464
See application file for complete search history.

(56) **References Cited**

U.S. PATENT DOCUMENTS

D492,013 S * 6/2004 Citterio D23/255
D530,793 S * 10/2006 Sutopo D23/255

D619,223 S * 7/2010 Sofield D23/255
D647,179 S * 10/2011 Flowers D23/255
D719,243 S * 12/2014 Fritz D23/255
D757,231 S * 5/2016 Garland D23/257
D798,420 S * 9/2017 Eads D23/255
D798,421 S * 9/2017 Eads D23/257
D800,275 S * 10/2017 Andrew D23/257

* cited by examiner

Primary Examiner — Robert M. Spear

Assistant Examiner — John A Voytek

(74) *Attorney, Agent, or Firm* — Edgar A. Zarins; Nirav
D. Parikh

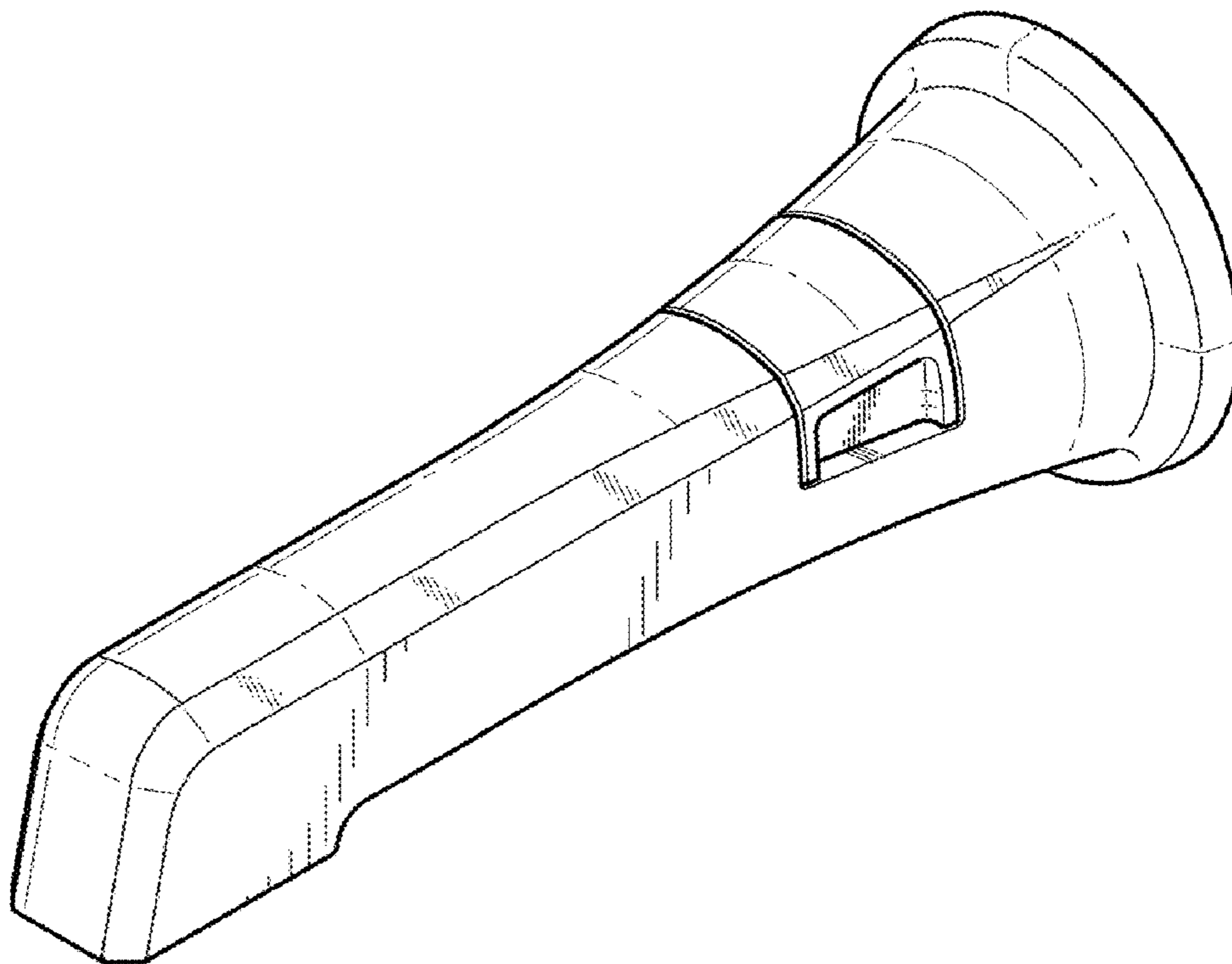
(57) **CLAIM**

The ornamental design for a tub spout, as shown and
described.

DESCRIPTION

FIG. 1 is a perspective view of a tub spout showing my new
design;
FIG. 2 is a rear perspective view thereof;
FIG. 3 is a top plan view thereof;
FIG. 4 is a bottom view thereof;
FIG. 5 is a left side view thereof, the opposite side being a
mirror image of the side shown;
FIG. 6 is a front end view thereof; and,
FIG. 7 is a rear view thereof.
In the drawings, the broken lines depict environmental
subject matter only and form no part of the claimed design.

1 Claim, 2 Drawing Sheets



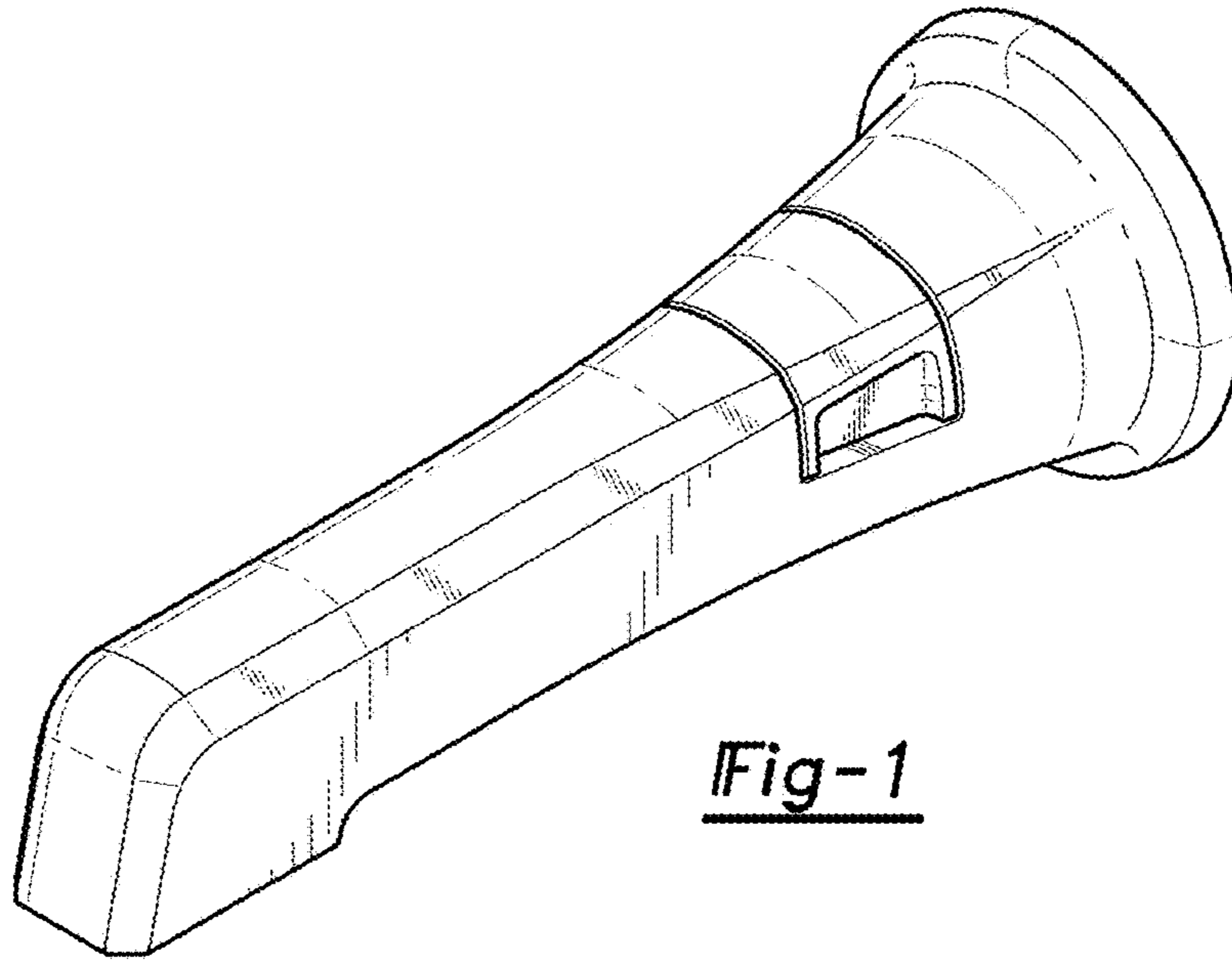


Fig-1

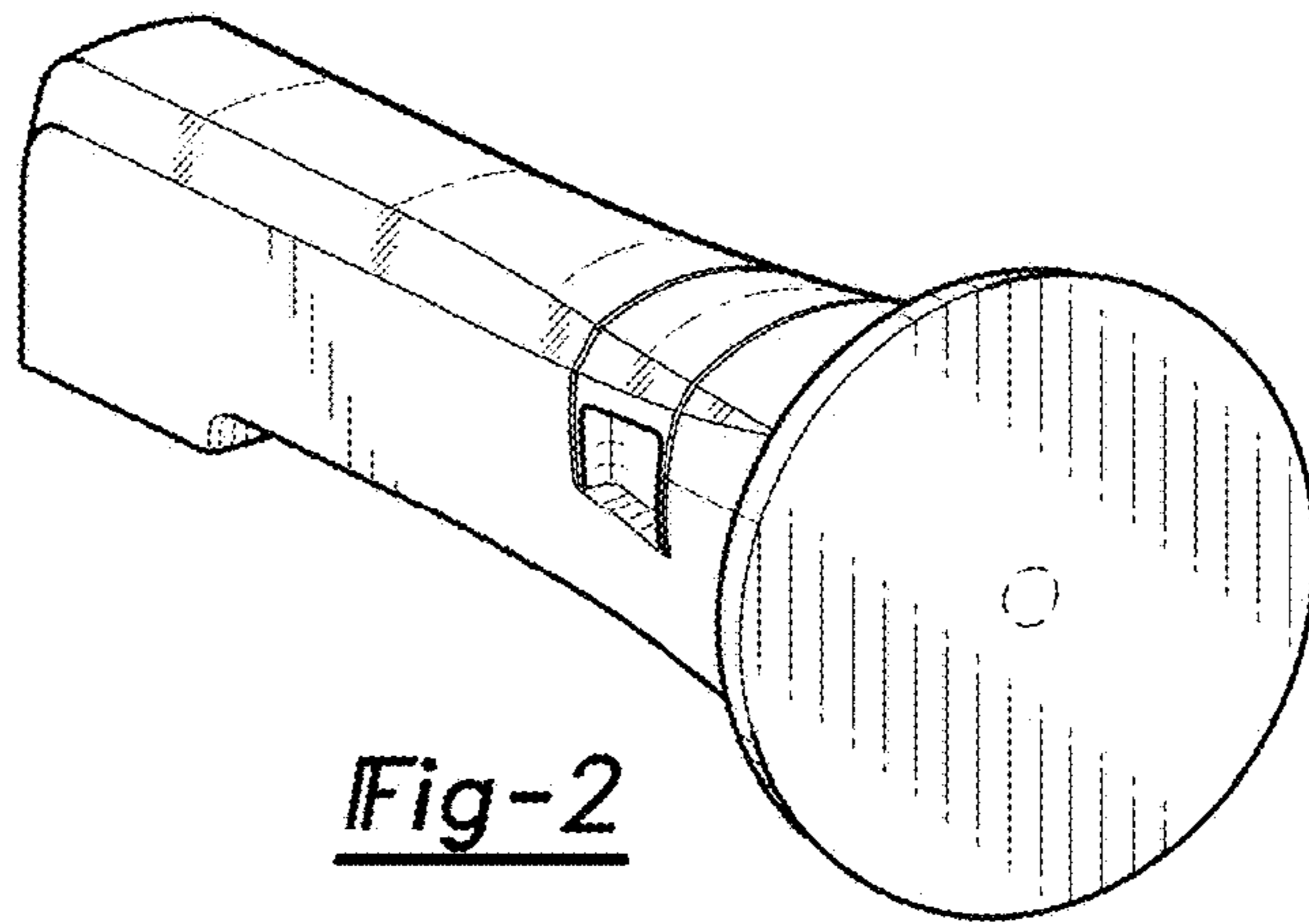


Fig-2

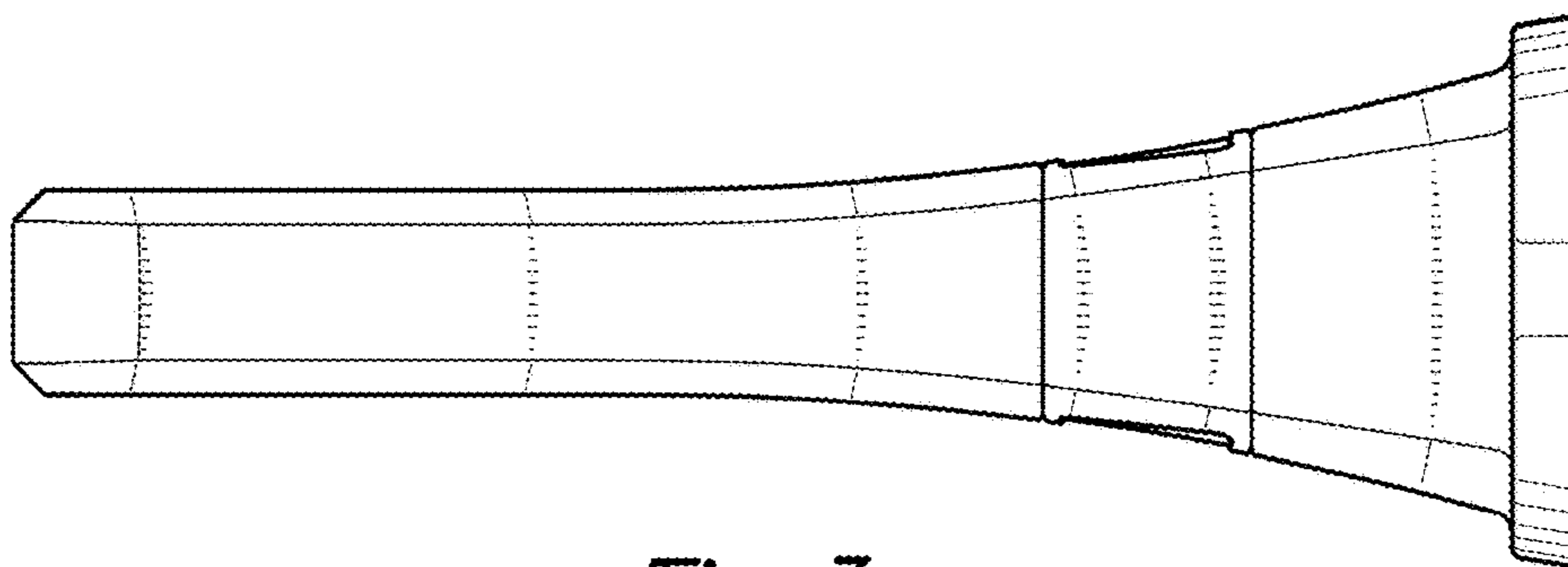


Fig-3

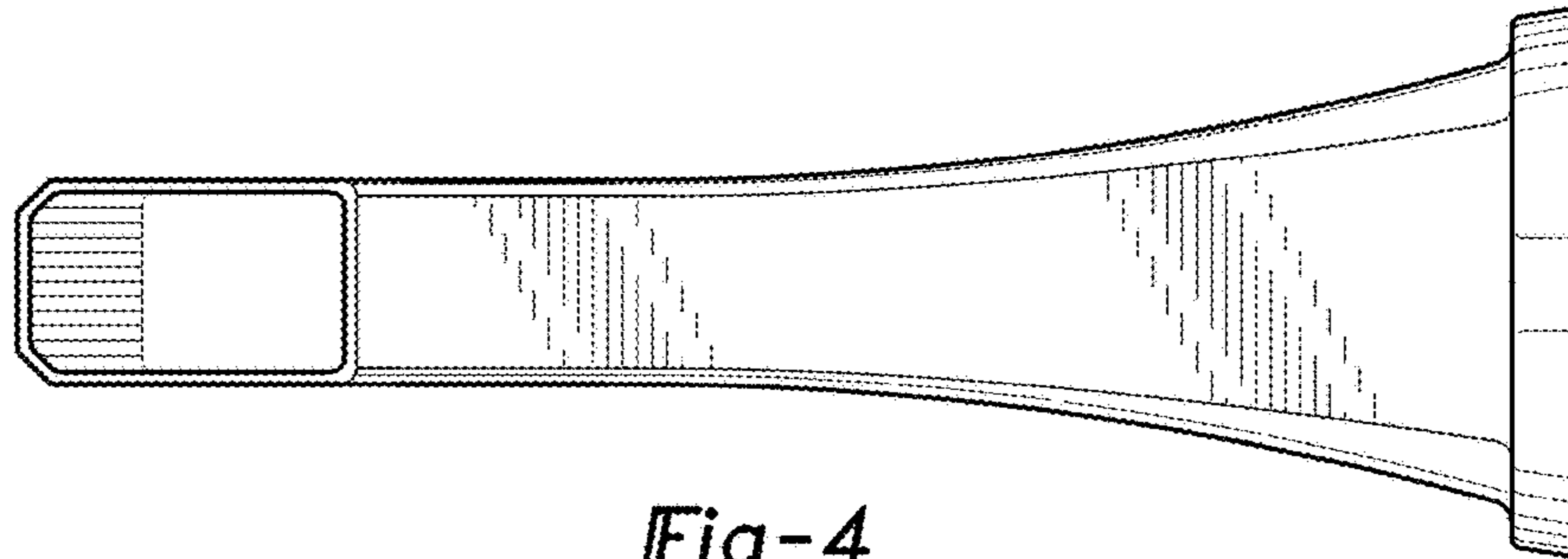


Fig-4

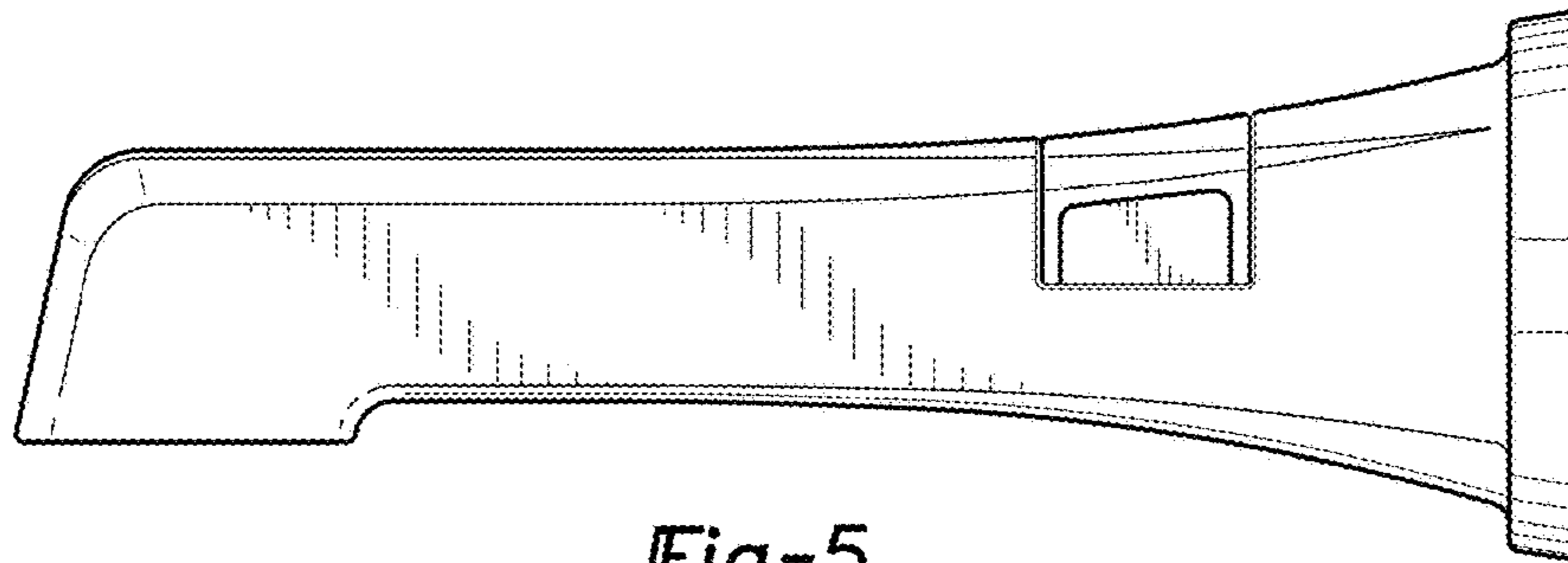


Fig-5

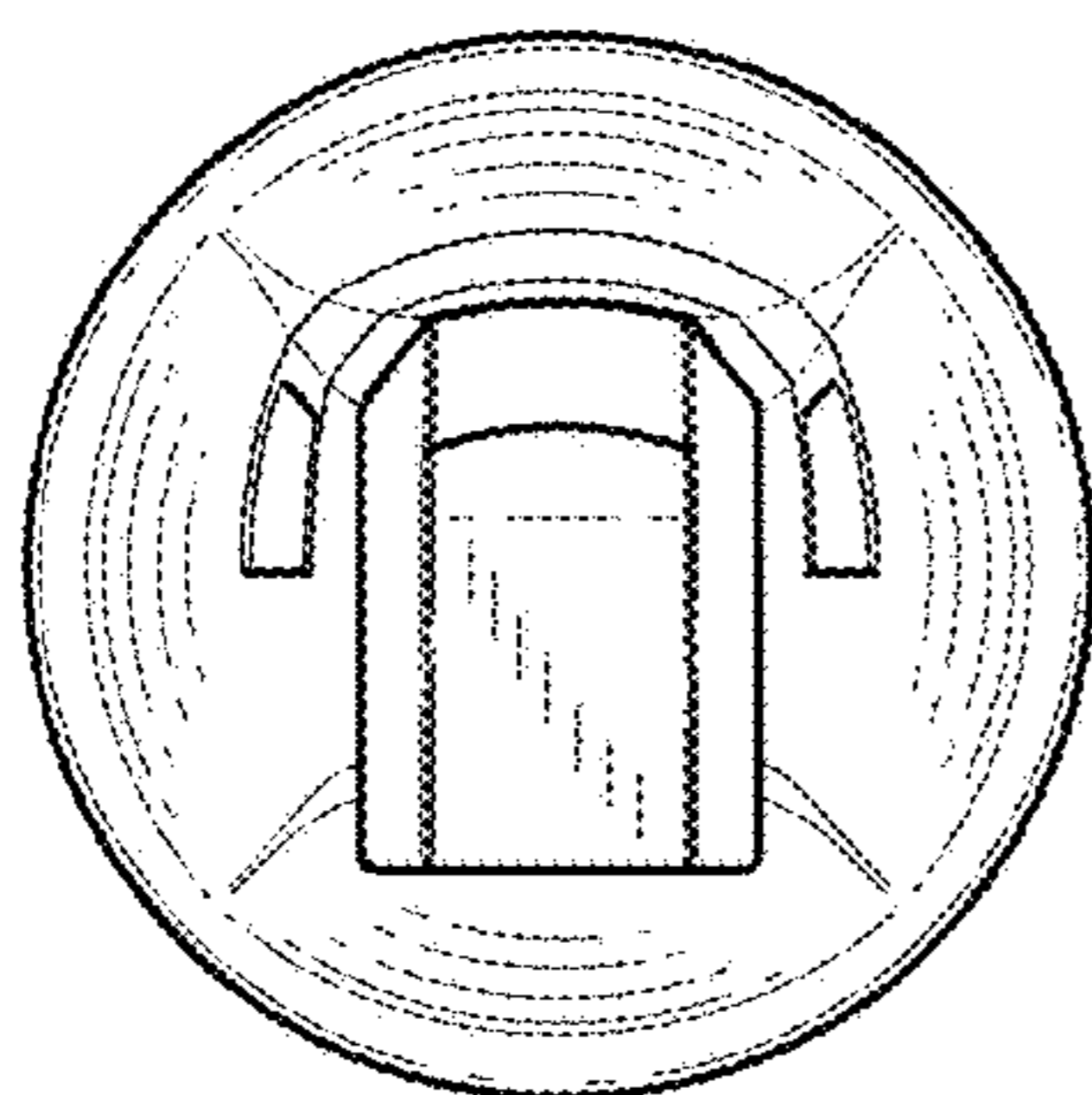


Fig-6

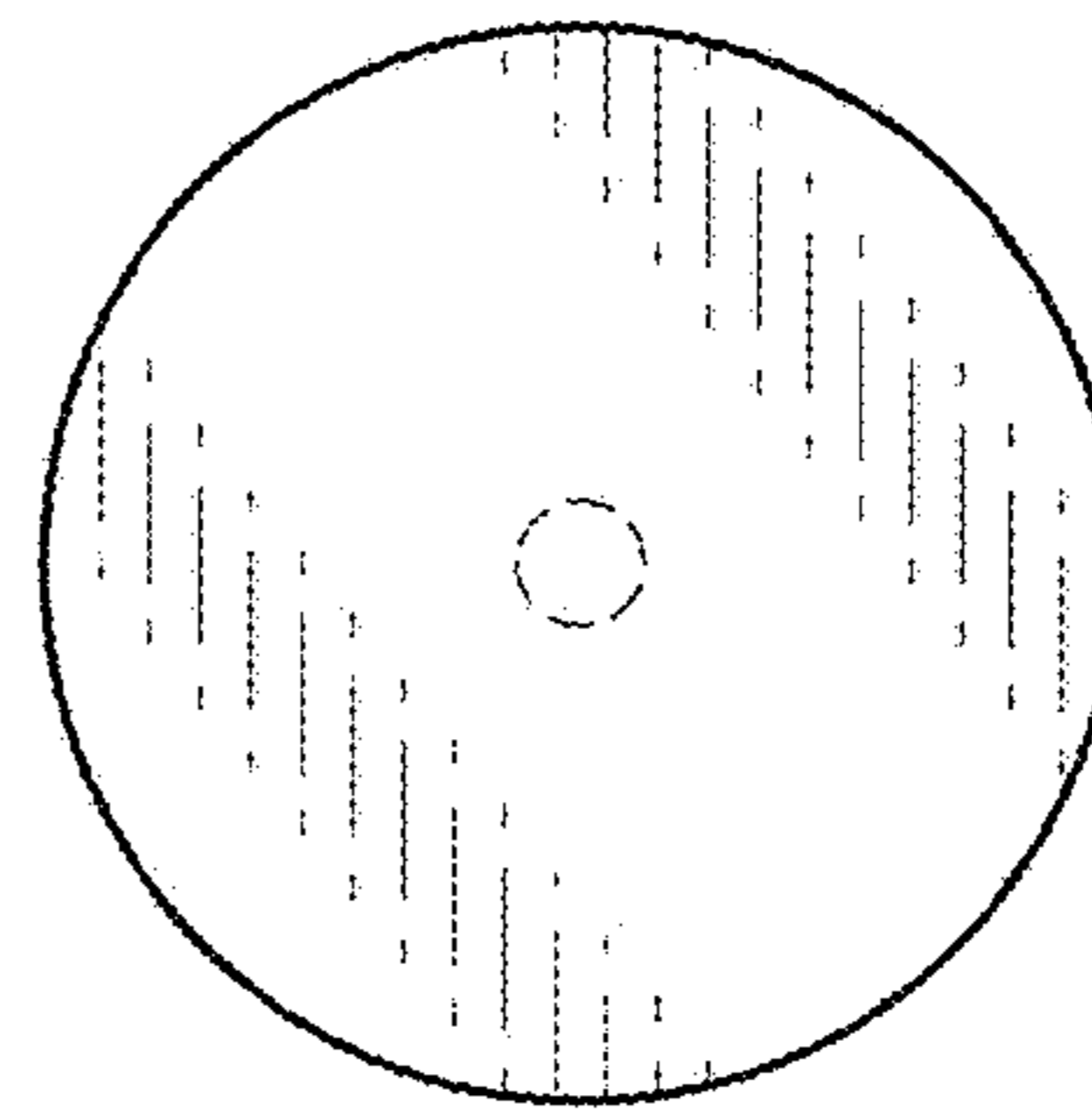


Fig-7