



US00D815254S

(12) **United States Design Patent**
Garland

(10) **Patent No.:** **US D815,254 S**

(45) **Date of Patent:** **** Apr. 10, 2018**

(54) **VALVE**

(71) Applicant: **DELTA FAUCET COMPANY,**
Indianapolis, IN (US)

(72) Inventor: **Celine Kwok Garland,** Zionsville, IN
(US)

(73) Assignee: **DELTA FAUCET COMPANY,**
Indianapolis, IN (US)

(**) Term: **15 Years**

(21) Appl. No.: **29/595,380**

(22) Filed: **Feb. 28, 2017**

(51) **LOC (11) Cl.** **23-01**

(52) **U.S. Cl.**
USPC **D23/253; D23/254**

(58) **Field of Classification Search**
USPC D23/238–243, 249–250, 252, 254–255,
D23/257, 228, 245; D8/300, 307–308,
D8/310
CPC Y10T 137/9464
See application file for complete search history.

(56) **References Cited**

U.S. PATENT DOCUMENTS

D325,425 S * 4/1992 Bengtson D23/253
D450,811 S * 11/2001 Gottwald D23/254

D478,374 S * 8/2003 Smith D23/253
D523,938 S * 6/2006 Hoernig D23/257
D542,385 S * 5/2007 Haug D23/254
D588,235 S * 3/2009 Rexach D23/253
D712,517 S * 9/2014 Citterio D23/253
D712,518 S * 9/2014 Citterio D23/253

* cited by examiner

Primary Examiner — Robert A Delehanty

(74) *Attorney, Agent, or Firm* — Edgar A. Zarins; Nirav
D. Parikh

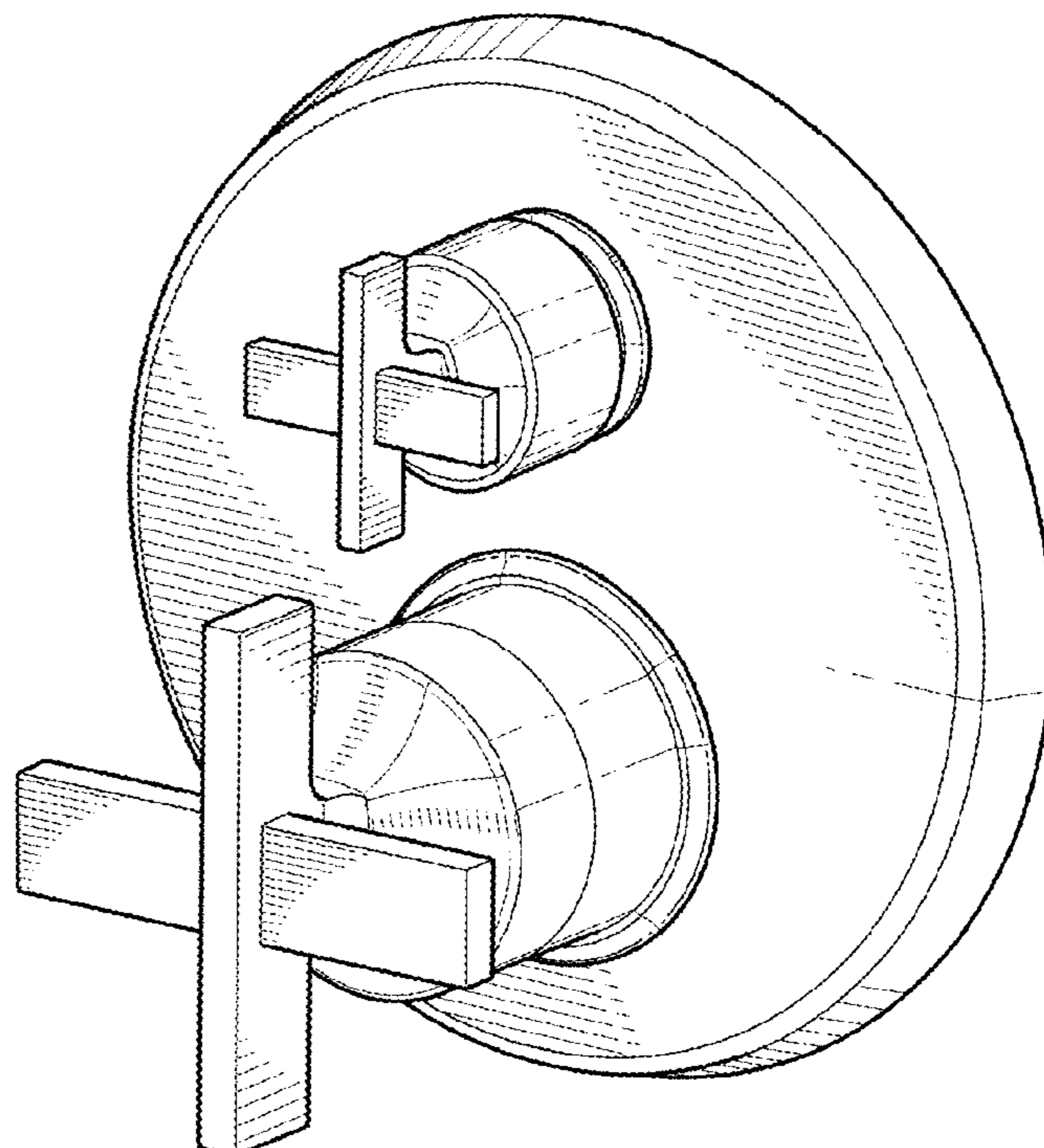
(57) **CLAIM**

The ornamental design for a valve, as shown and described.

DESCRIPTION

FIG. 1 is a perspective view of a valve showing my new design;
FIG. 2 is a top plan view thereof;
FIG. 3 is a front elevational view thereof;
FIG. 4 is a left side view thereof, the opposite side being a mirror image of the side shown;
FIG. 5 is a bottom view thereof; and,
FIG. 6 is a rear view thereof.
The broken lines showing of holes on the back side of the valve are included for the purpose of illustrating a portion of the valve and form no part of the claimed design.

1 Claim, 3 Drawing Sheets



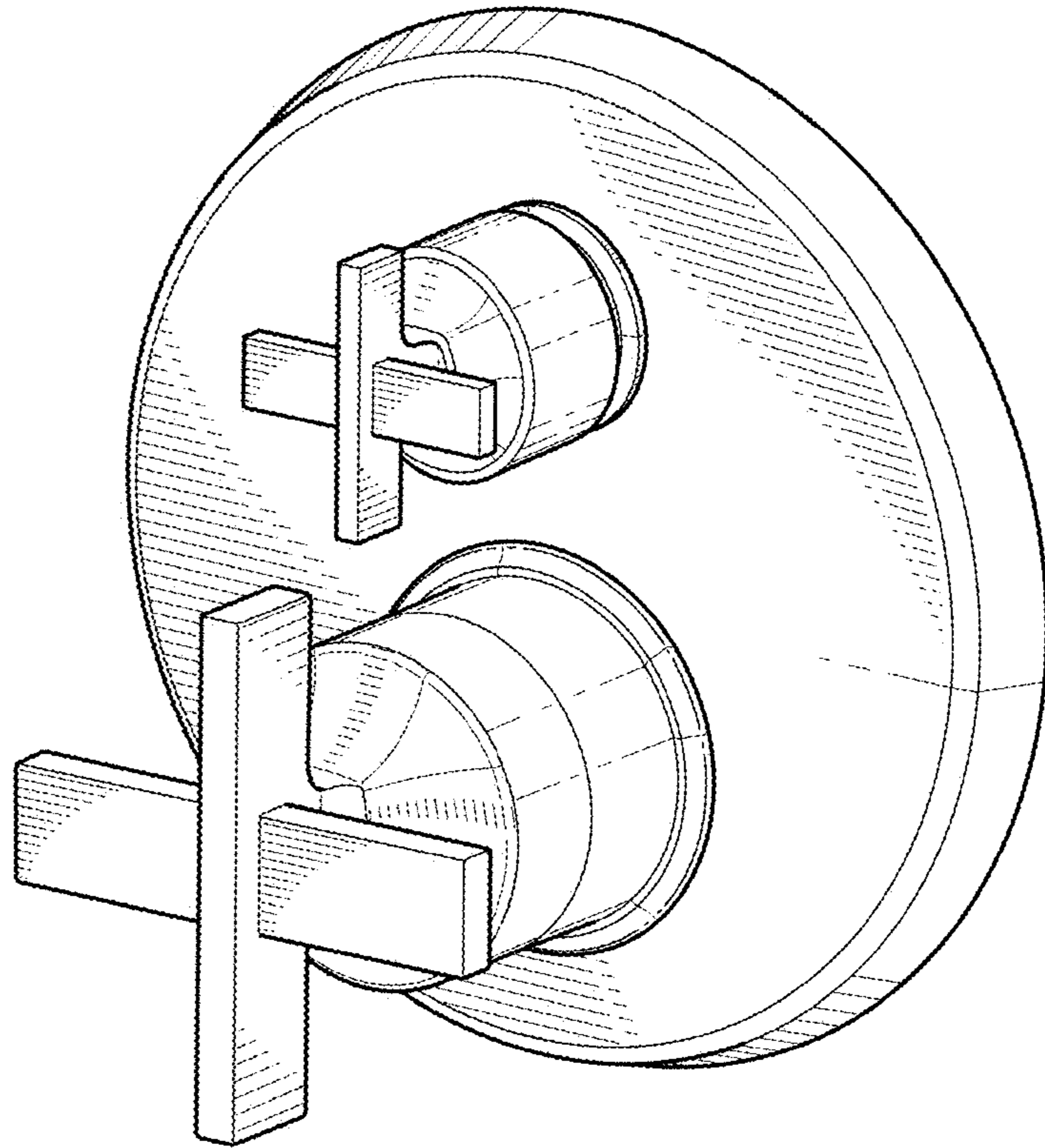


Fig-1

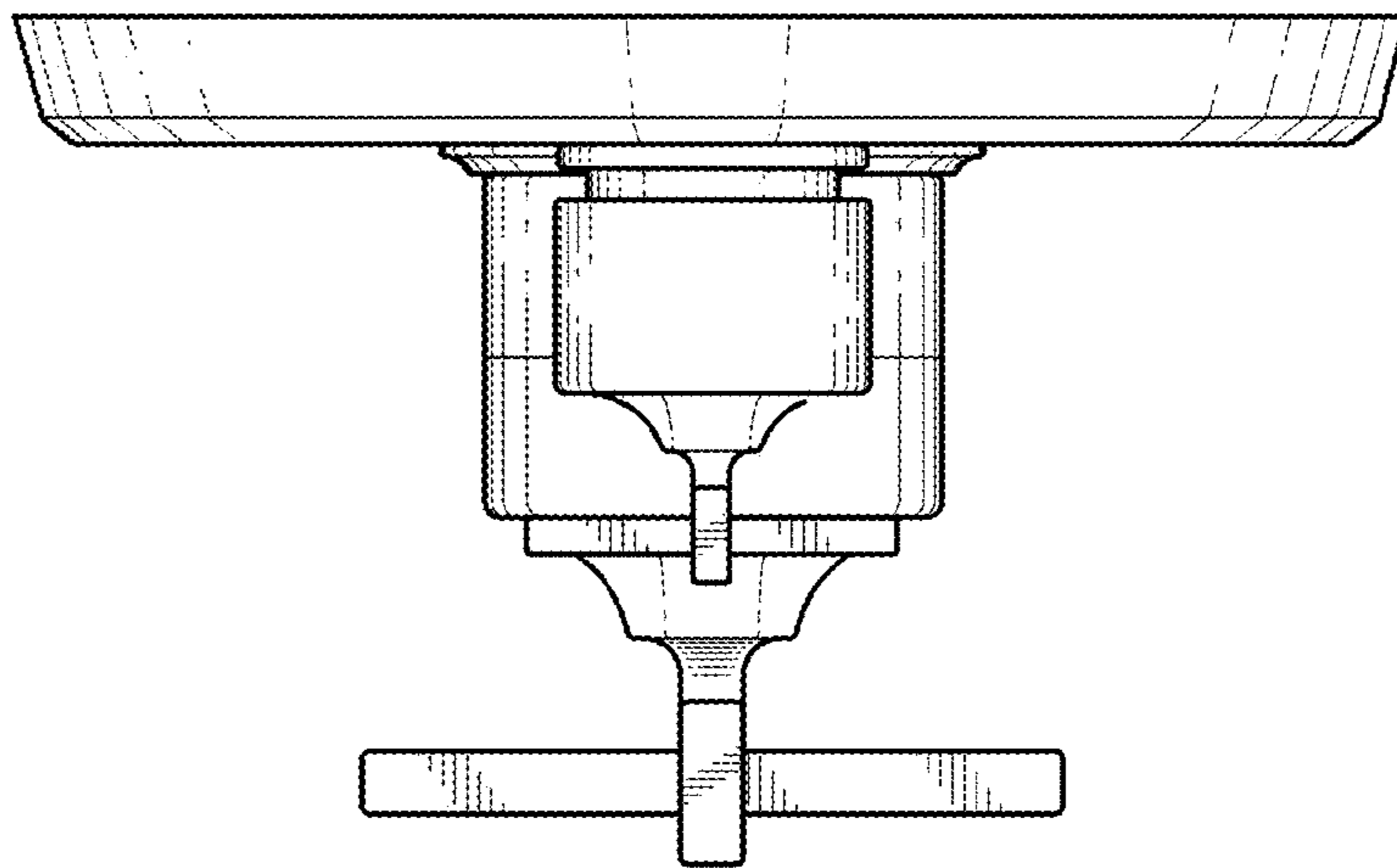


Fig-2

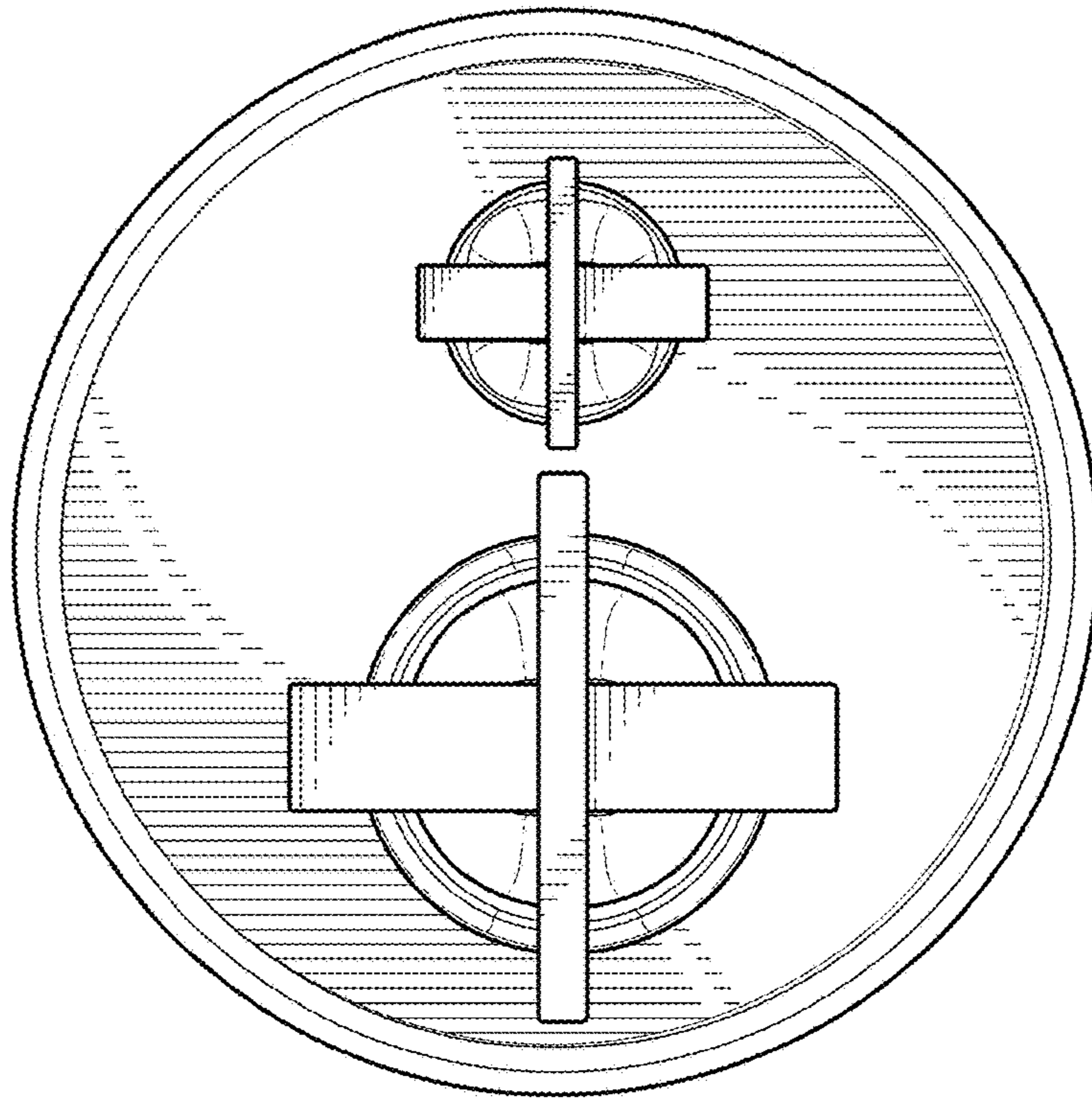


Fig-3

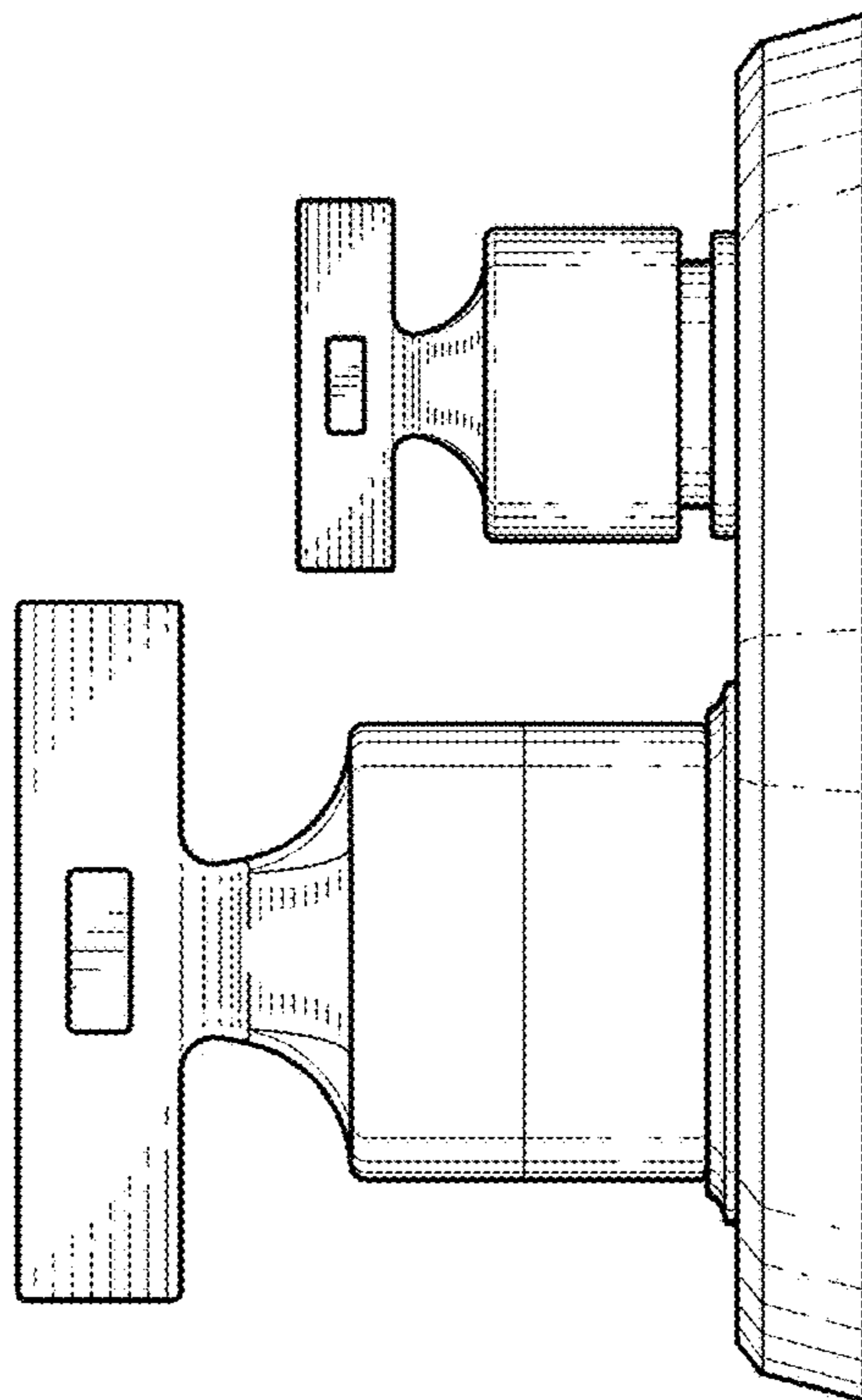


Fig-4

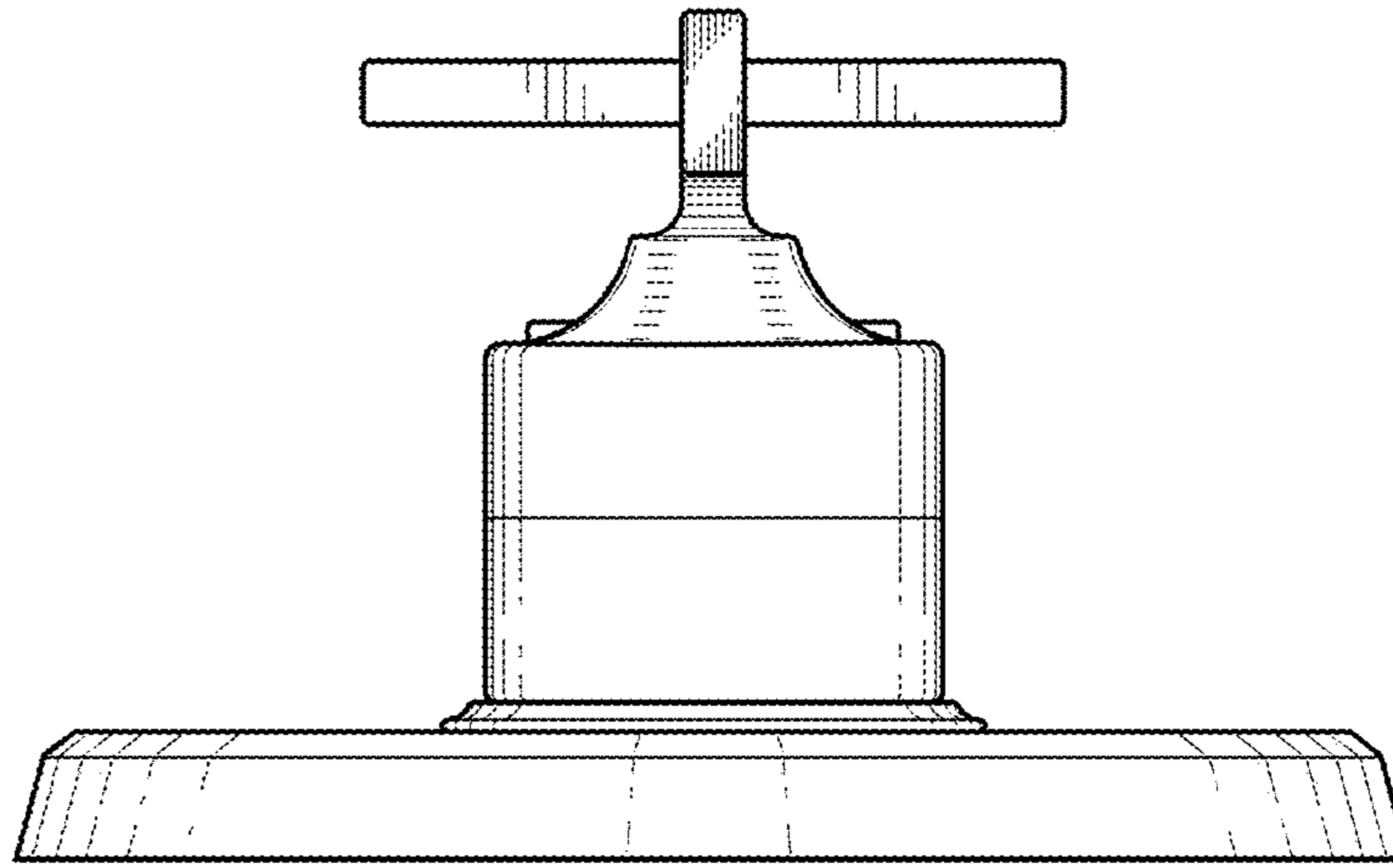


Fig-5

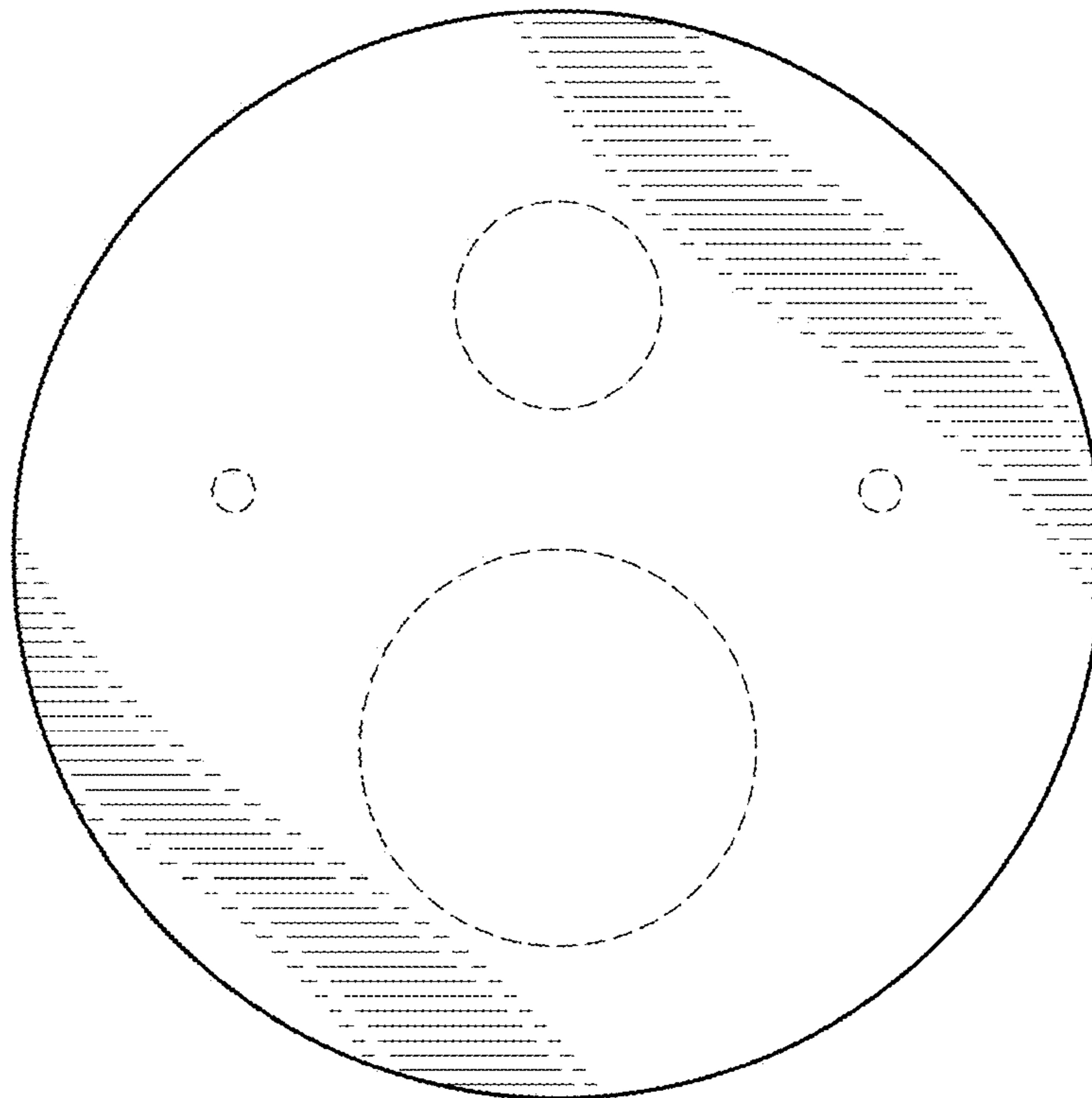


Fig-6