



US00D815253S

(12) **United States Design Patent**  
**Ravassa et al.**

(10) **Patent No.:** **US D815,253 S**  
(45) **Date of Patent:** **\*\* Apr. 10, 2018**

(54) **FAUCET HANDLE**

(71) Applicant: **AS IP Holdco, LLC**, Piscataway, NJ  
(US)

(72) Inventors: **Gabriela Ravassa**, Brooklyn, NY (US);  
**Jean-Jacques L'Henaff**, New Canaan,  
CT (US)

(73) Assignee: **AS IP Holdco, LLC**, Piscataway, NJ  
(US)

(\*\*) Term: **15 Years**

(21) Appl. No.: **29/590,306**

(22) Filed: **Jan. 9, 2017**

(51) **LOC (11) Cl.** ..... **23-01**

(52) **U.S. Cl.**  
USPC ..... **D23/252**

(58) **Field of Classification Search**  
USPC ..... D23/238-243, 249-250, 252, 254;  
D8/307-308  
CPC ..... Y10T 137/9464  
See application file for complete search history.

(56) **References Cited**

**U.S. PATENT DOCUMENTS**

D484,574 S \* 12/2003 Spangler ..... D23/252  
D634,815 S \* 3/2011 Barry ..... D23/252

D636,853 S \* 4/2011 Yu ..... D23/238  
D713,506 S \* 9/2014 Fritz ..... D23/238  
D720,432 S \* 12/2014 Hundley et al. .... D23/252  
D787,022 S \* 5/2017 Lopez ..... D23/254

\* cited by examiner

*Primary Examiner* — Robert A Delehanty  
(74) *Attorney, Agent, or Firm* — Morrison & Foerster  
LLP

(57) **CLAIM**

The ornamental design for a faucet handle, as shown and described.

**DESCRIPTION**

FIG. 1 is a perspective view of a faucet handle showing the new design;  
FIG. 2 is a front elevational view thereof;  
FIG. 3 is a rear elevational view thereof;  
FIG. 4 is a right side elevational view thereof;  
FIG. 5 is a left side elevational view thereof;  
FIG. 6 is a top plan view thereof; and,  
FIG. 7 is a bottom plan view thereof.  
The features shown in broken lines form no part of the claimed design.

**1 Claim, 4 Drawing Sheets**

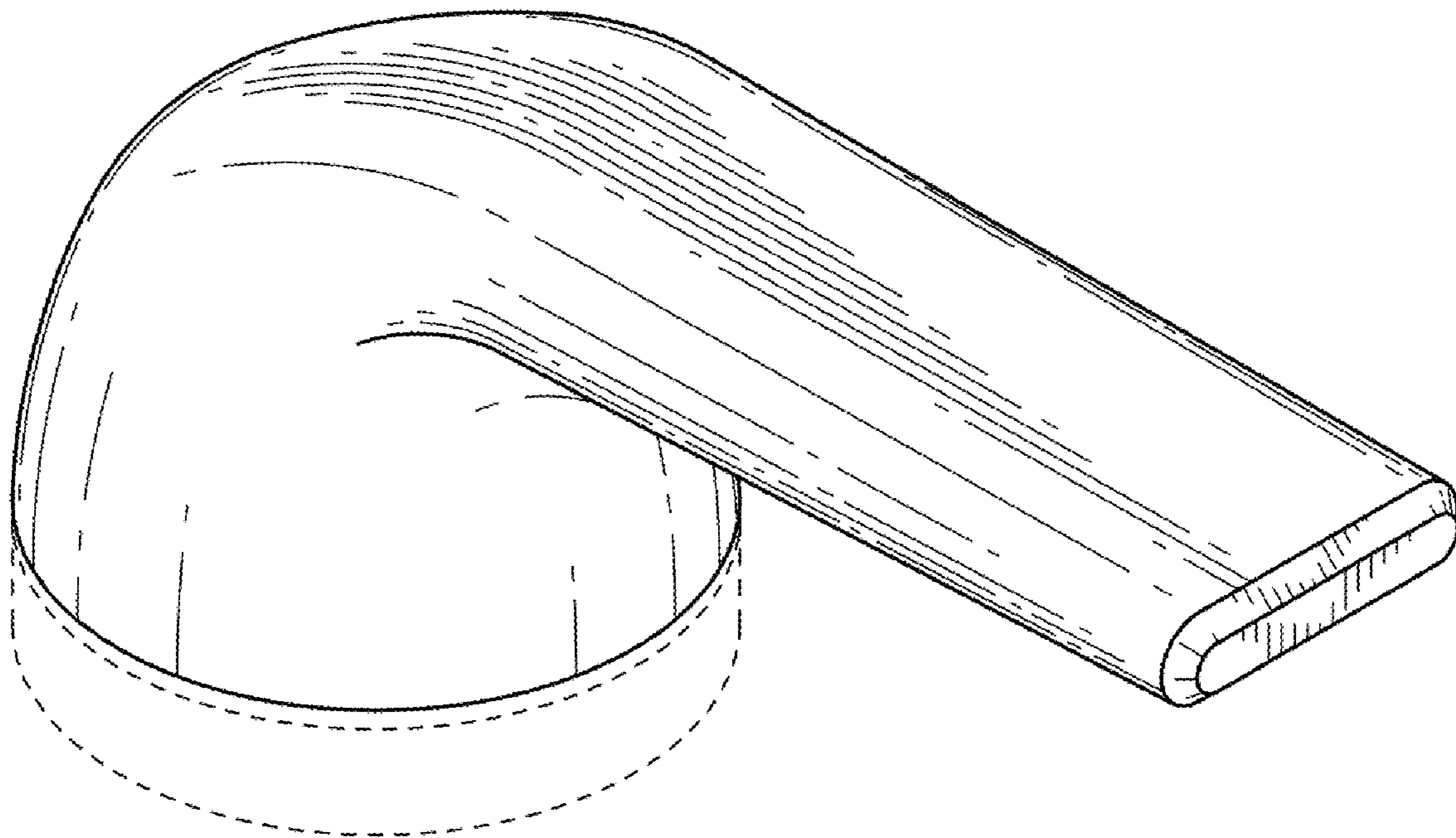


FIG. 1

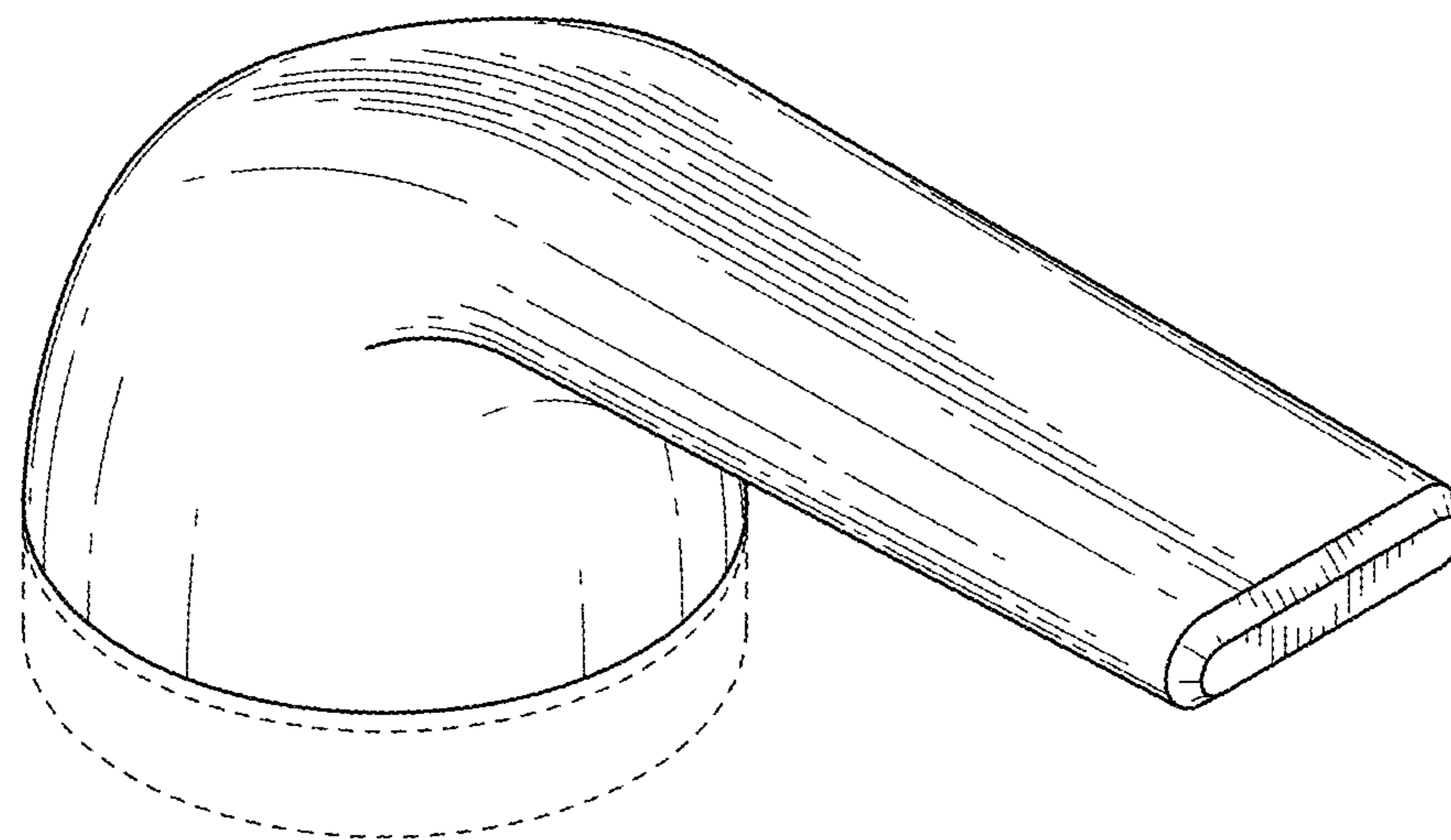


FIG. 2

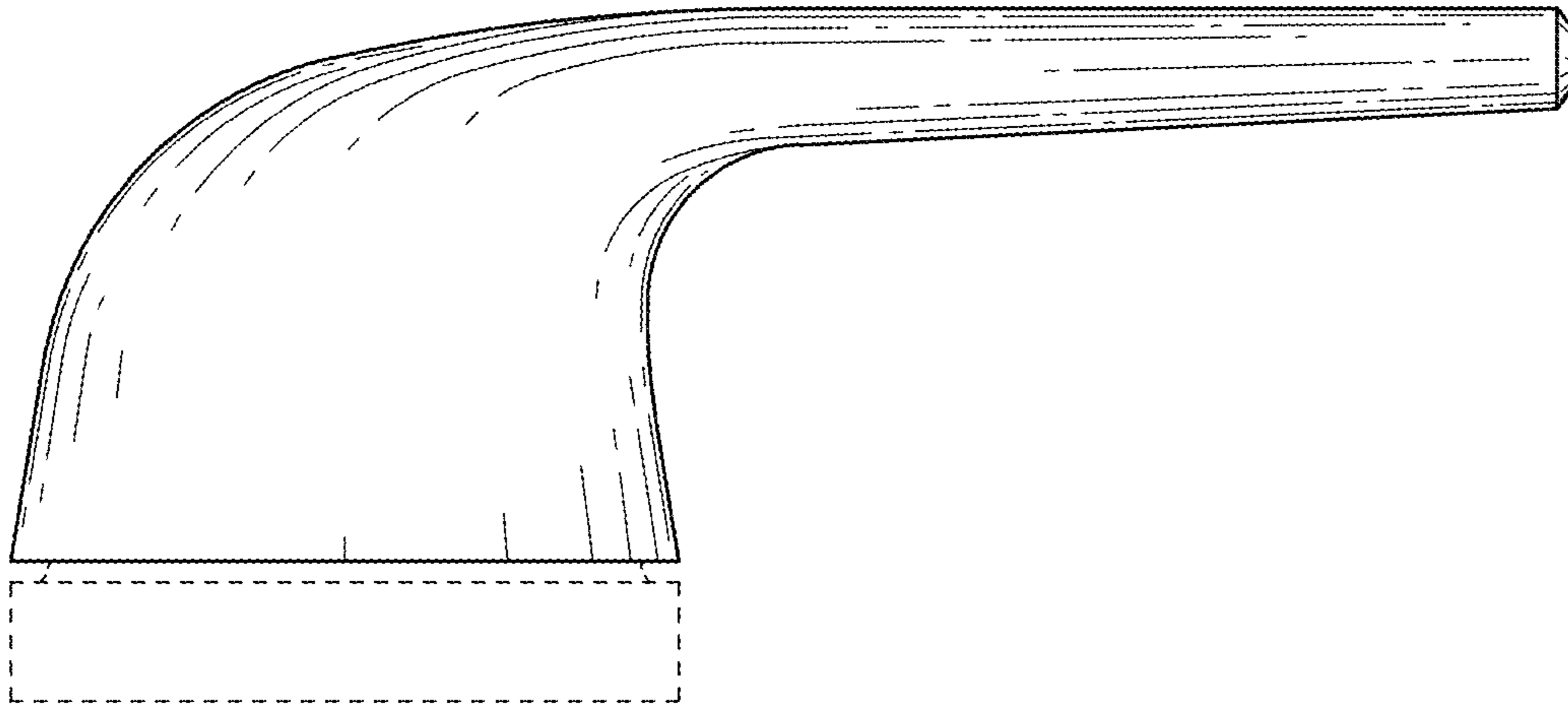
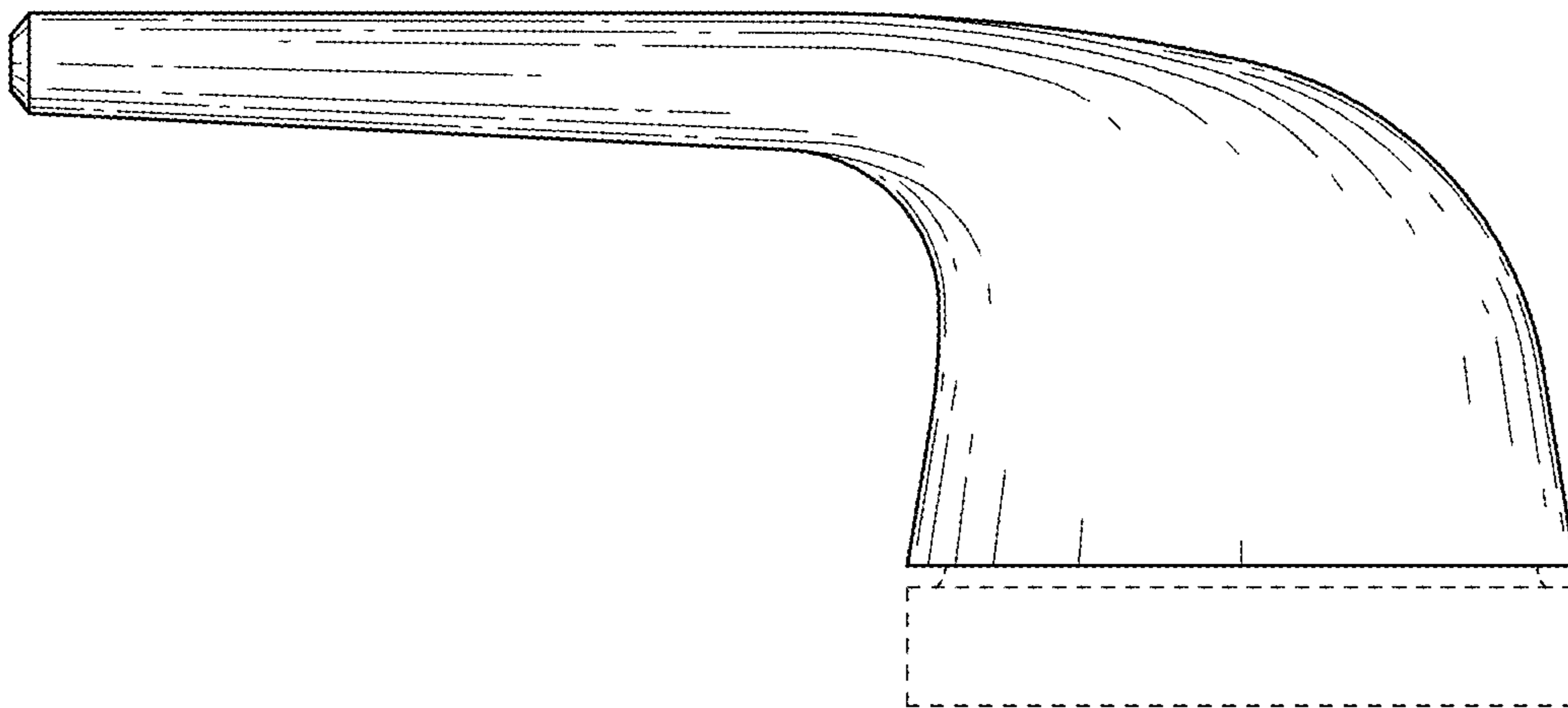
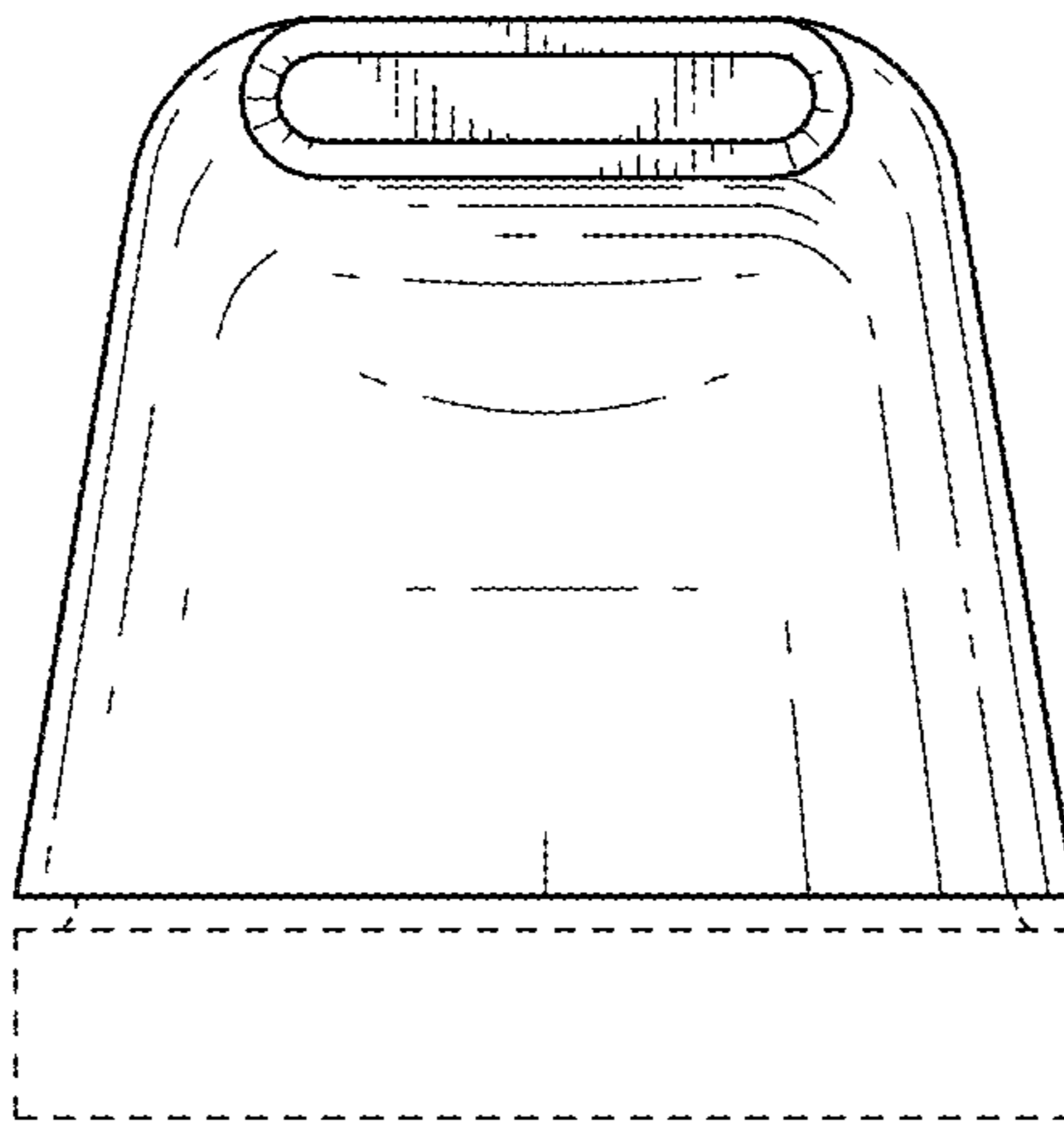


FIG. 3



*FIG. 4*



*FIG. 5*

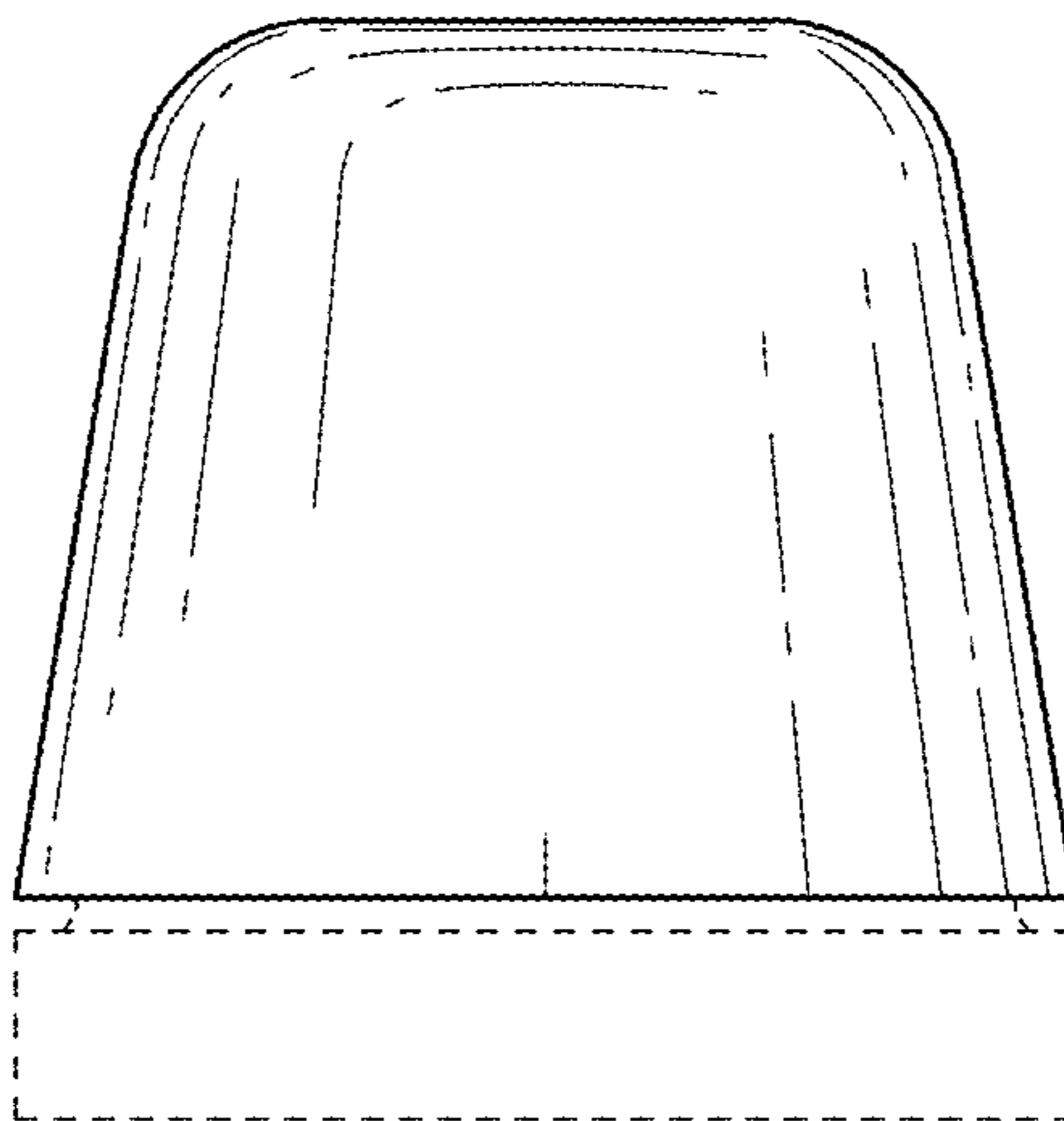


FIG. 6

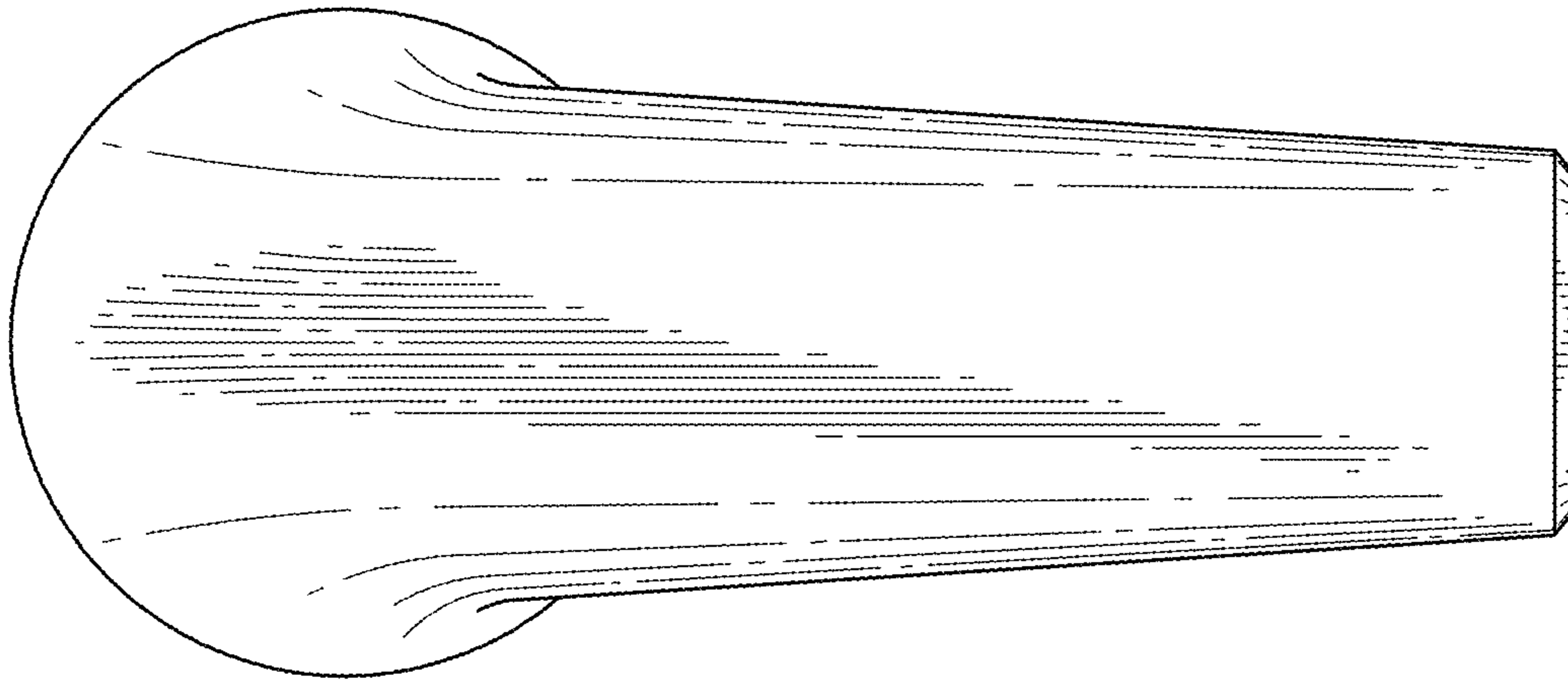


FIG. 7

