



US00D815251S

(12) **United States Design Patent** (10) **Patent No.:** **US D815,251 S**  
**Ho** (45) **Date of Patent:** **\*\* Apr. 10, 2018**

- (54) **FAUCET KNOB**
- (71) Applicant: **Chin-Hua Ho**, Changhua (TW)
- (72) Inventor: **Chin-Hua Ho**, Changhua (TW)
- (73) Assignee: **Chyi Liou Enterprise Co., Ltd.**,  
Changhua (TW)
- (\*\*) Term: **15 Years**
- (21) Appl. No.: **29/585,754**
- (22) Filed: **Nov. 29, 2016**
- (51) **LOC (11) Cl.** ..... **23-01**
- (52) **U.S. Cl.**  
USPC ..... **D23/250**
- (58) **Field of Classification Search**  
USPC ..... D23/238-243, 249-250, 252, 254, 224;  
D8/307-308; D7/393  
CPC ..... Y10T 137/9464  
See application file for complete search history.

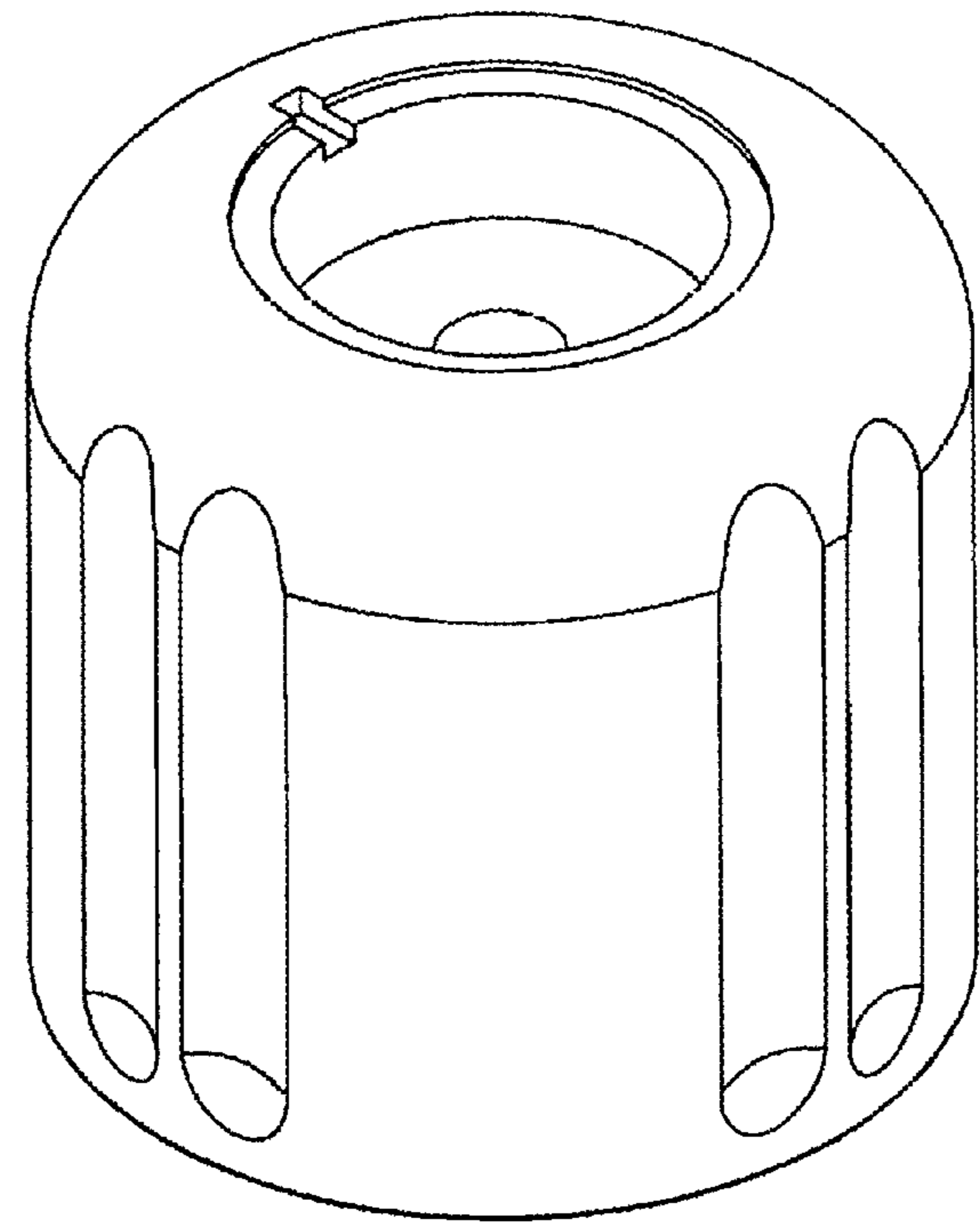
- (56) **References Cited**  
U.S. PATENT DOCUMENTS  
D332,823 S \* 1/1993 Bonnell ..... 23/250  
D424,401 S \* 5/2000 Ziemer ..... D8/312  
D475,269 S \* 6/2003 Matern ..... D8/312  
D512,129 S \* 11/2005 Gilbert ..... D23/249  
D657,021 S \* 4/2012 Huang ..... D23/250  
D754,822 S \* 4/2016 Byron ..... D23/250

D786,650 S \* 5/2017 Lira-Nunez ..... D8/311  
\* cited by examiner  
*Primary Examiner* — Robert A Delehanty

(57) **CLAIM**  
The ornamental design for a faucet knob, as shown and described.

**DESCRIPTION**  
FIG. 1 is a perspective view of a faucet knob showing my new design;  
FIG. 2 is a front elevational view thereof;  
FIG. 3 is a rear elevational view thereof;  
FIG. 4 is a left side view thereof;  
FIG. 5 is a right side view thereof;  
FIG. 6 is a top plan view thereof;  
FIG. 7 is a bottom plan view thereof;  
FIG. 8 is an environmental view of two faucet knobs of the new design mounted on a faucet; and,  
FIG. 9 is an environmental view of two faucet knobs of the new design mounted on another faucet.  
The broken lines shown in FIG. 7 are included for the purpose of illustrating the unclaimed portions of the faucet knob and form no part of the claimed design.  
The broken lines showing the environment in the drawings are for illustrative purposes only and form no part of the claimed design.

**1 Claim, 5 Drawing Sheets**



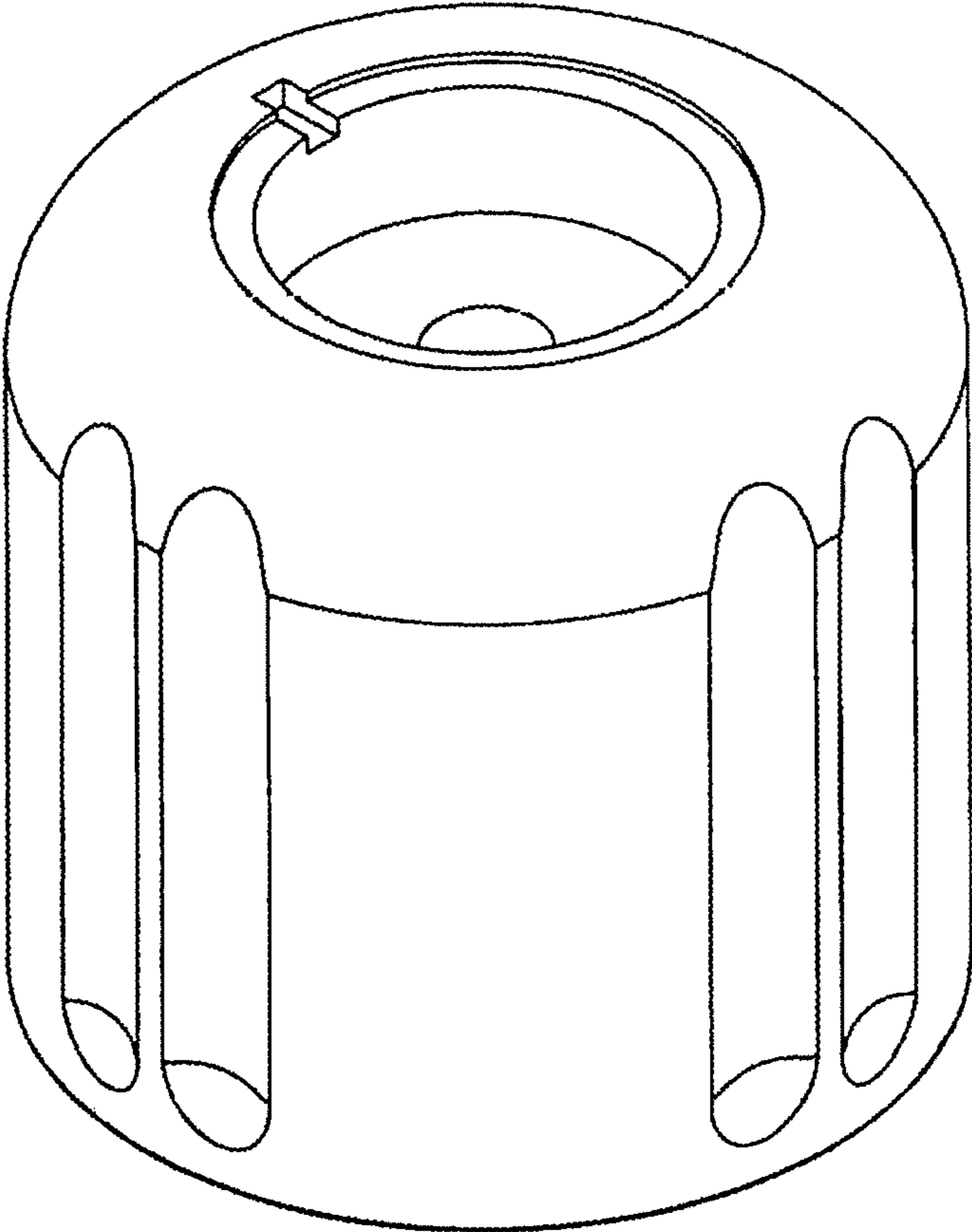


FIG.1

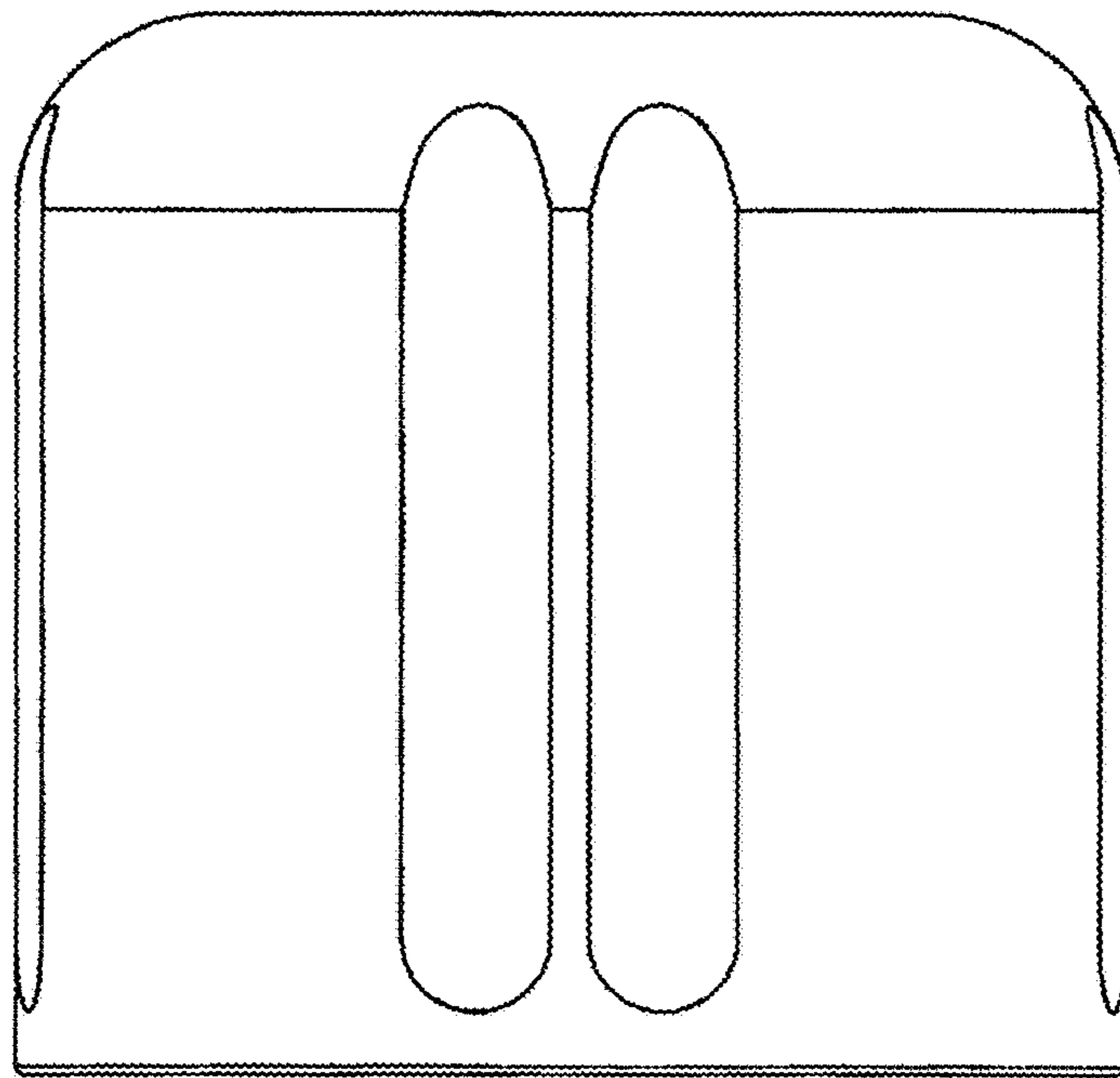


FIG. 2

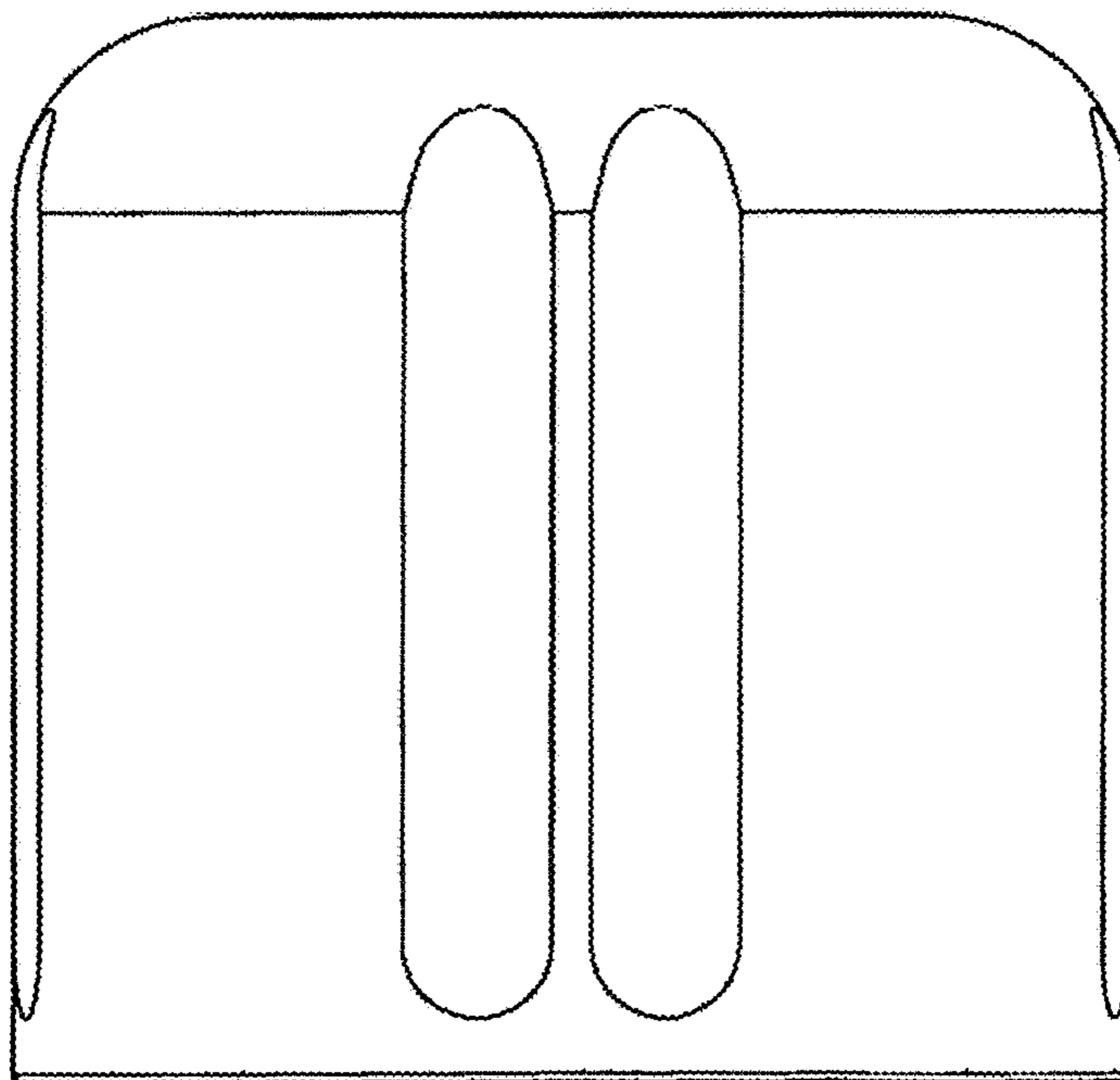


FIG. 3

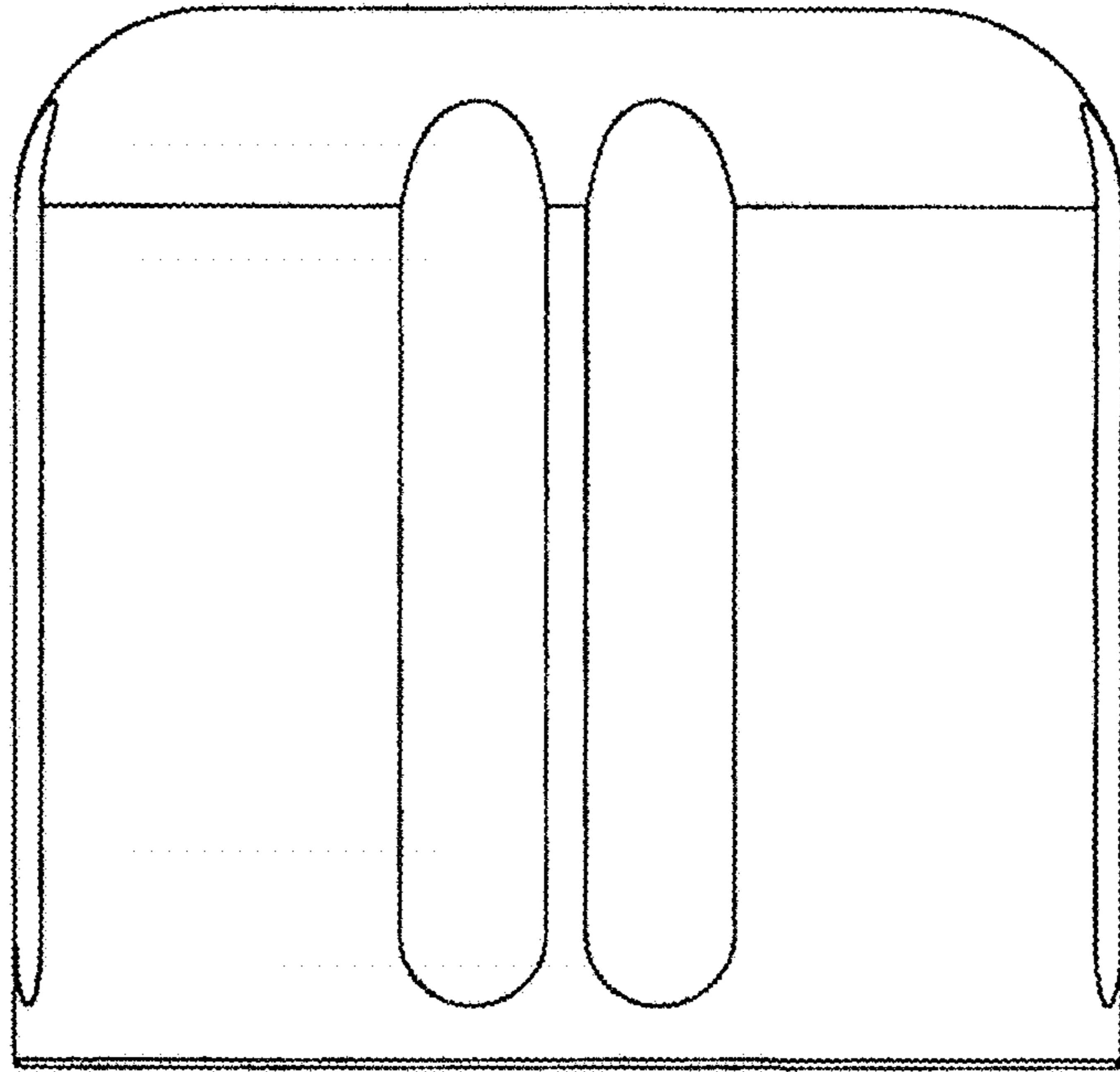


FIG. 4

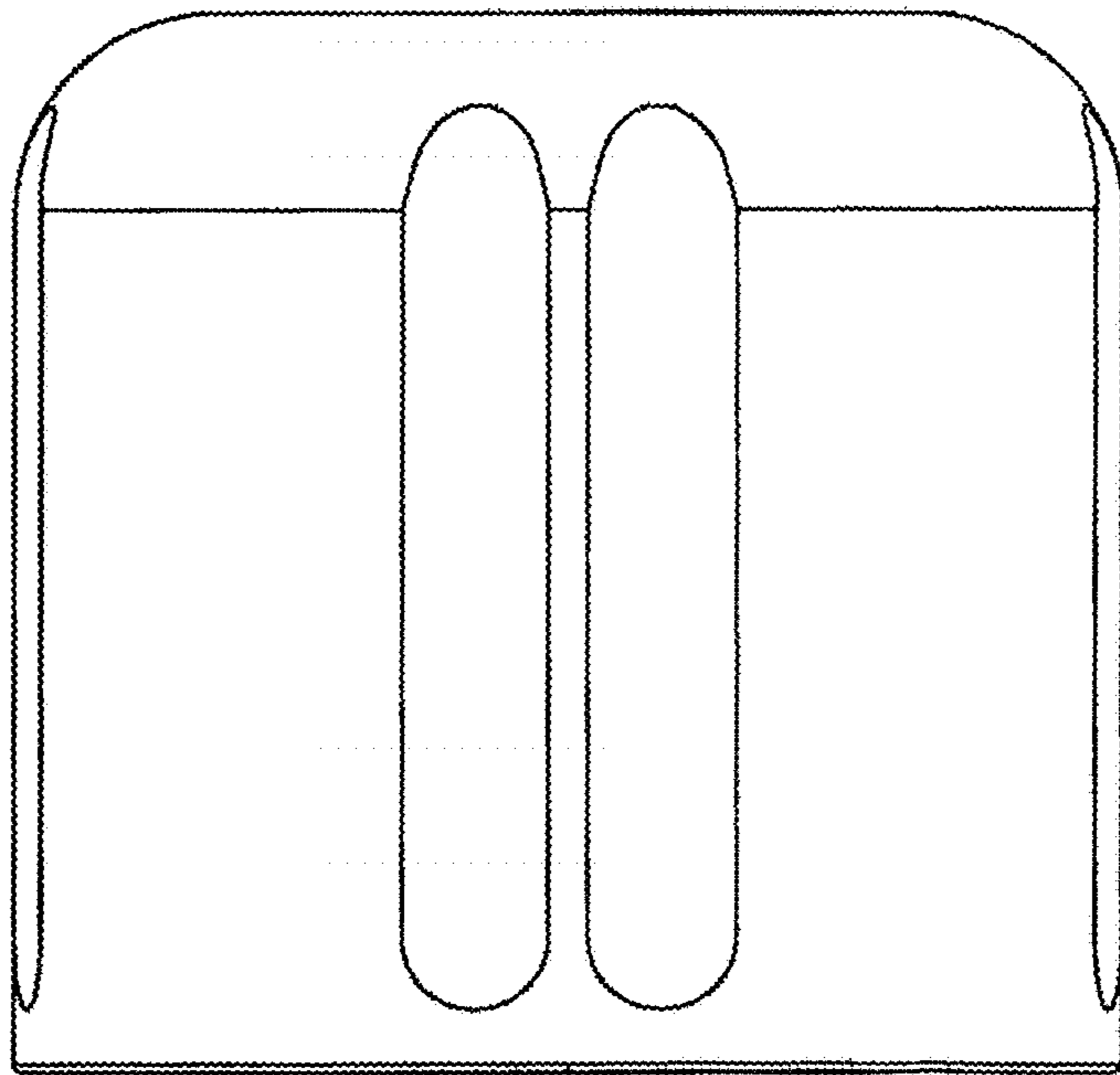


FIG. 5

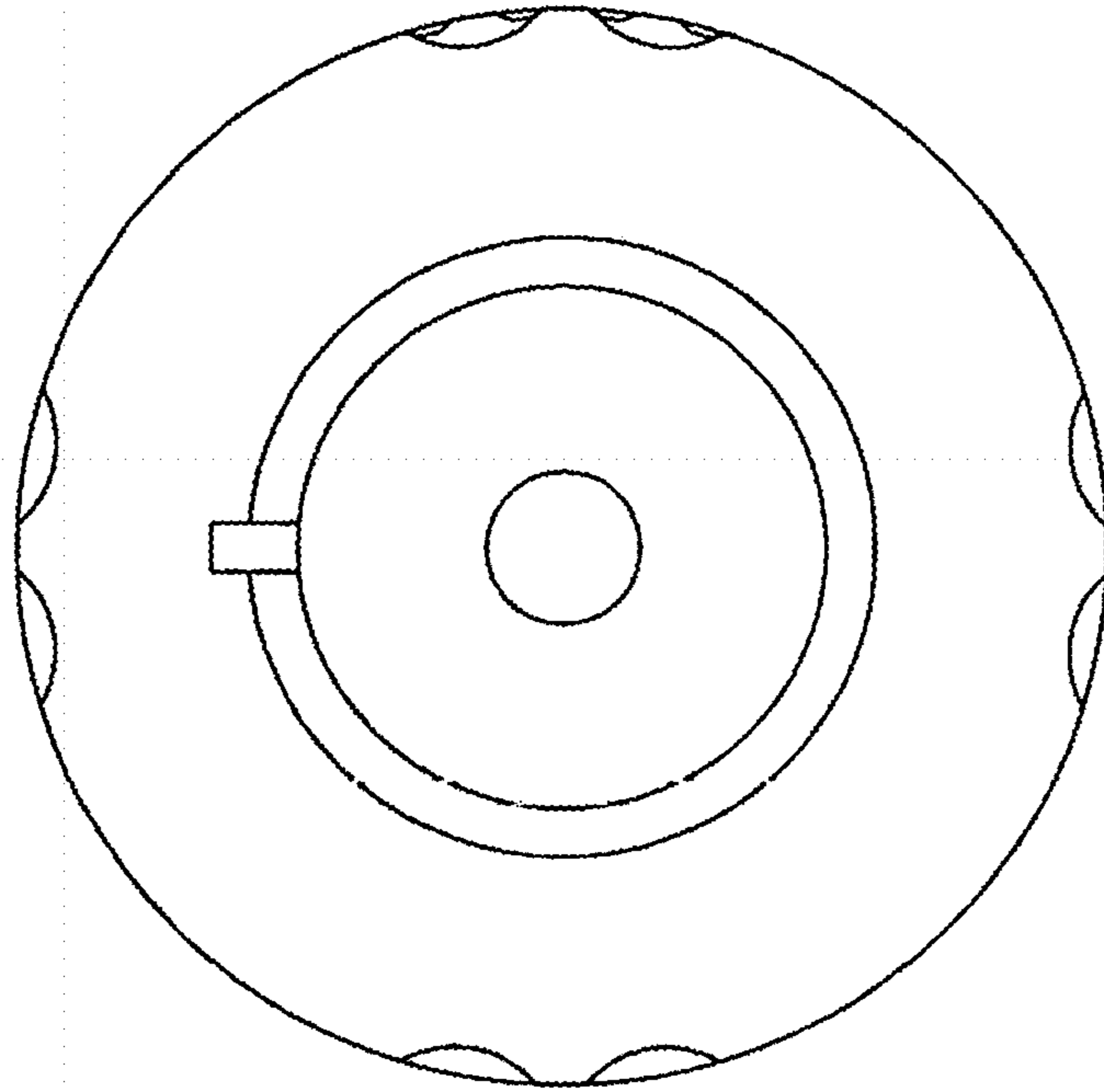


FIG. 6

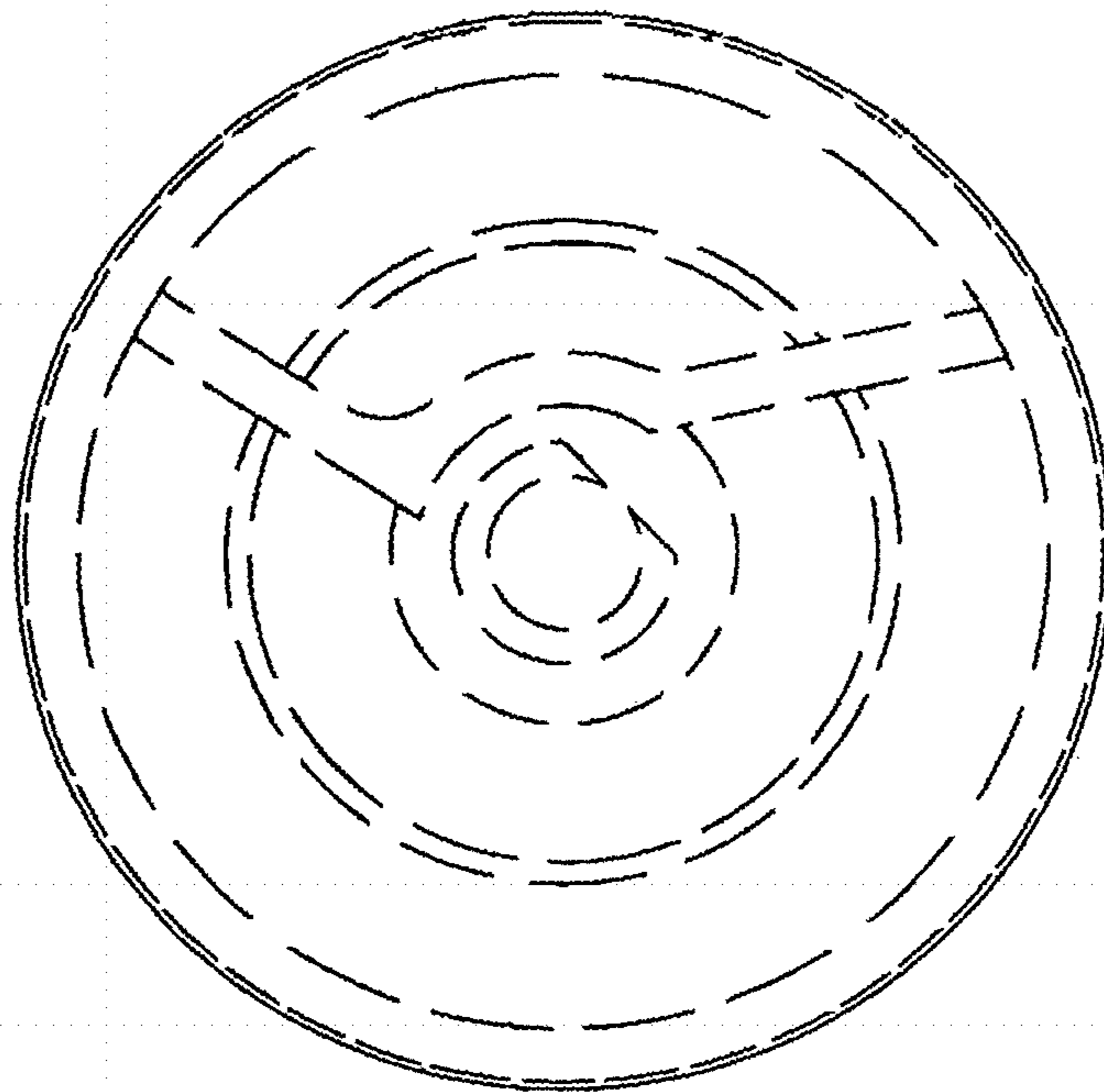


FIG. 7

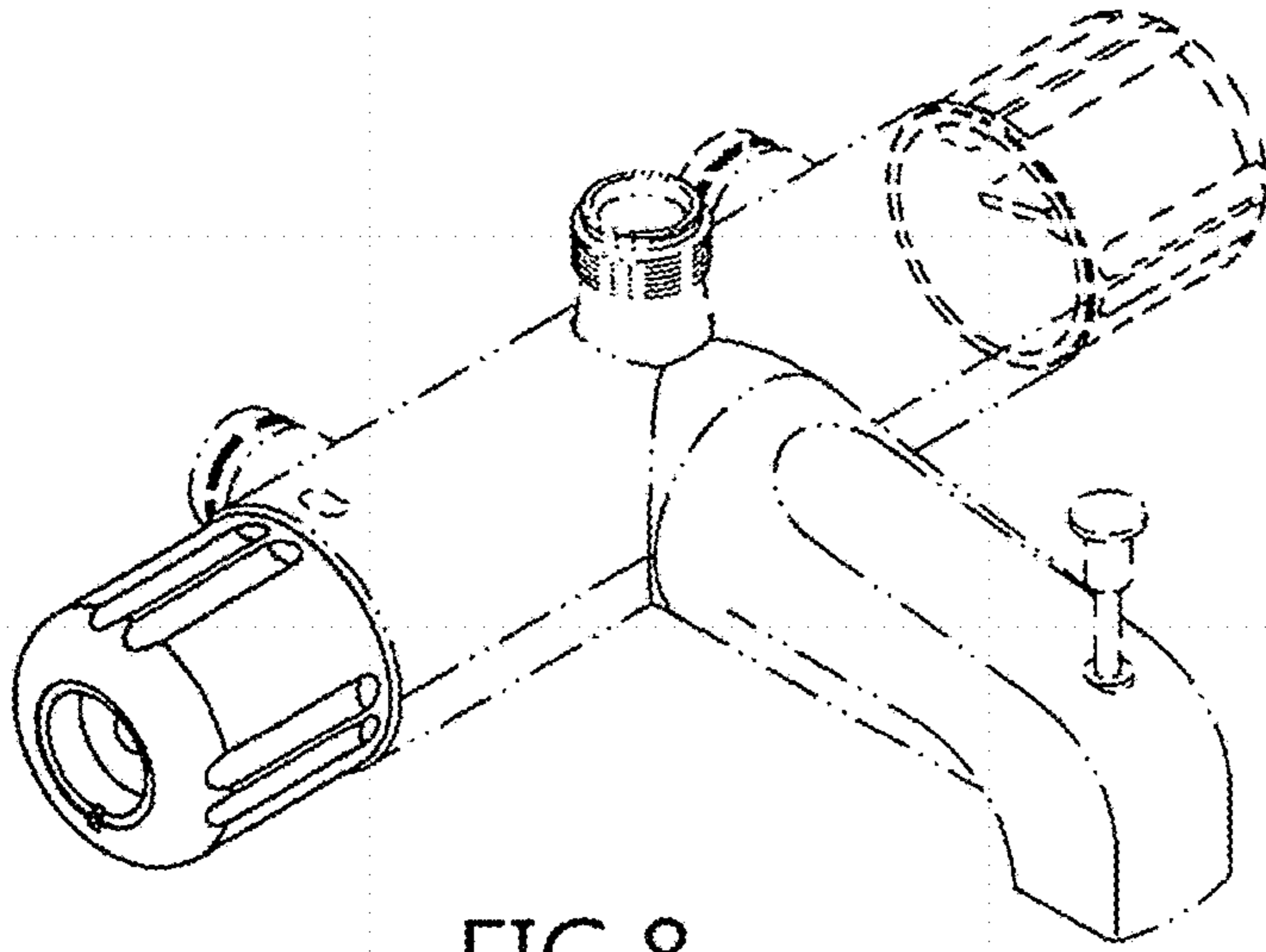


FIG. 8

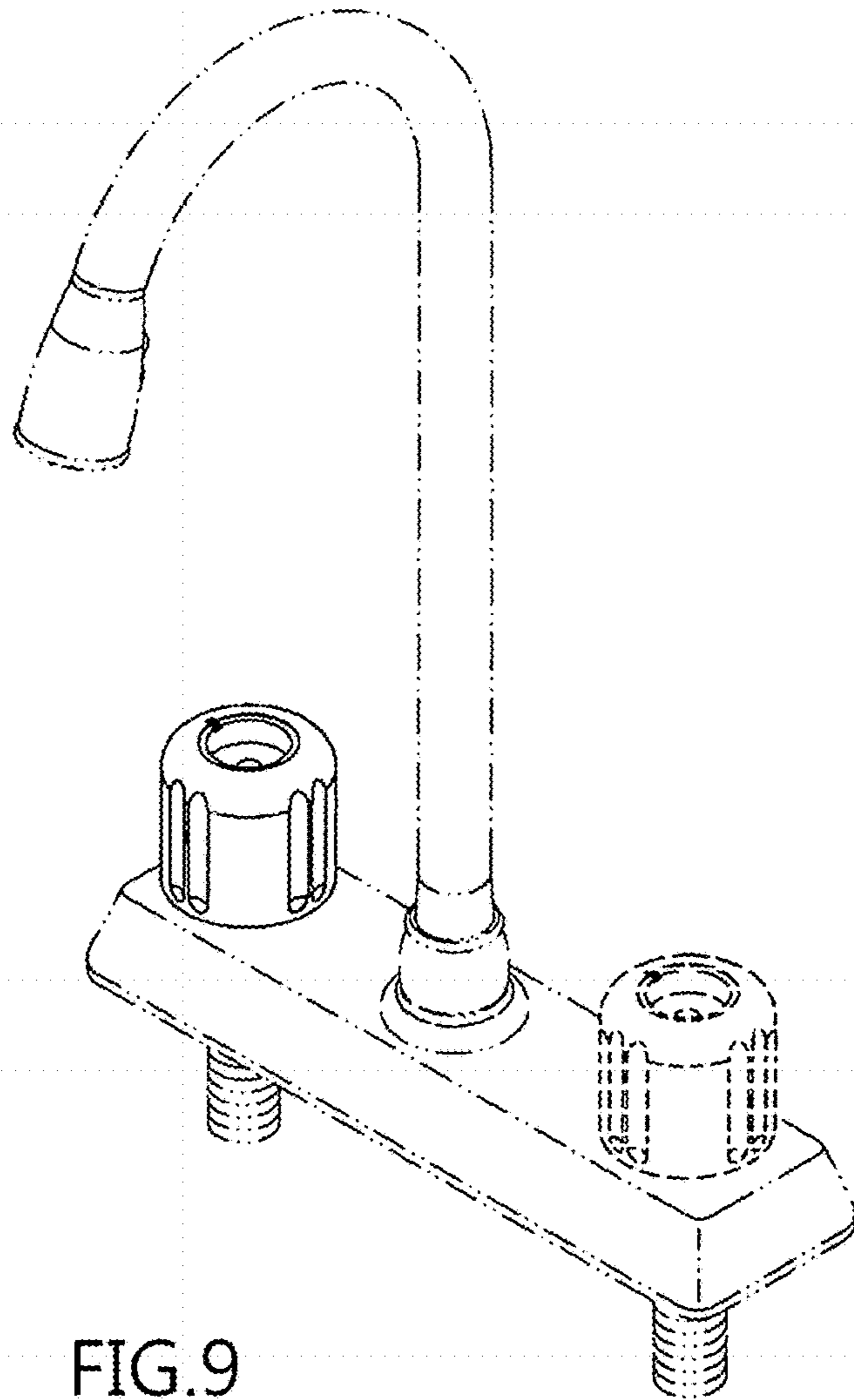


FIG. 9