



US00D815250S

(12) **United States Design Patent**
Georgeson

(10) **Patent No.:** **US D815,250 S**

(45) **Date of Patent:** **** Apr. 10, 2018**

(54) **FAUCET**

(71) Applicant: **Kohler Co.**, Kohler, WI (US)

(72) Inventor: **Paul B. Georgeson**, Milwaukee, WI (US)

(73) Assignee: **KOHLER CO.**, Kohler, WI (US)

(**) Term: **15 Years**

(21) Appl. No.: **29/622,445**

(22) Filed: **Oct. 17, 2017**

Related U.S. Application Data

(62) Division of application No. 29/603,271, filed on May 8, 2017, now Pat. No. Des. 803,991, which is a division of application No. 29/551,175, filed on Jan. 11, 2016, now Pat. No. Des. 791,278.

(51) **LOC (11) Cl.** **23-01**

(52) **U.S. Cl.**
USPC **D23/249**

(58) **Field of Classification Search**
USPC D23/238–243, 249, 255, 257
CPC Y10T 137/9464
See application file for complete search history.

(56) **References Cited**

U.S. PATENT DOCUMENTS

D426,618 S 6/2000 Mark
D427,665 S 7/2000 Fabian

D432,635 S 10/2000 Spangler
D501,671 S 2/2005 Bayer
D505,483 S 5/2005 Bayer
D528,633 S 9/2006 Bayer
D530,785 S 10/2006 Rexach et al.
D534,623 S 1/2007 Fritz
D676,932 S 2/2013 Berger

Primary Examiner — Robert A Delehanty

(74) *Attorney, Agent, or Firm* — Foley & Lardner LLP

(57) **CLAIM**

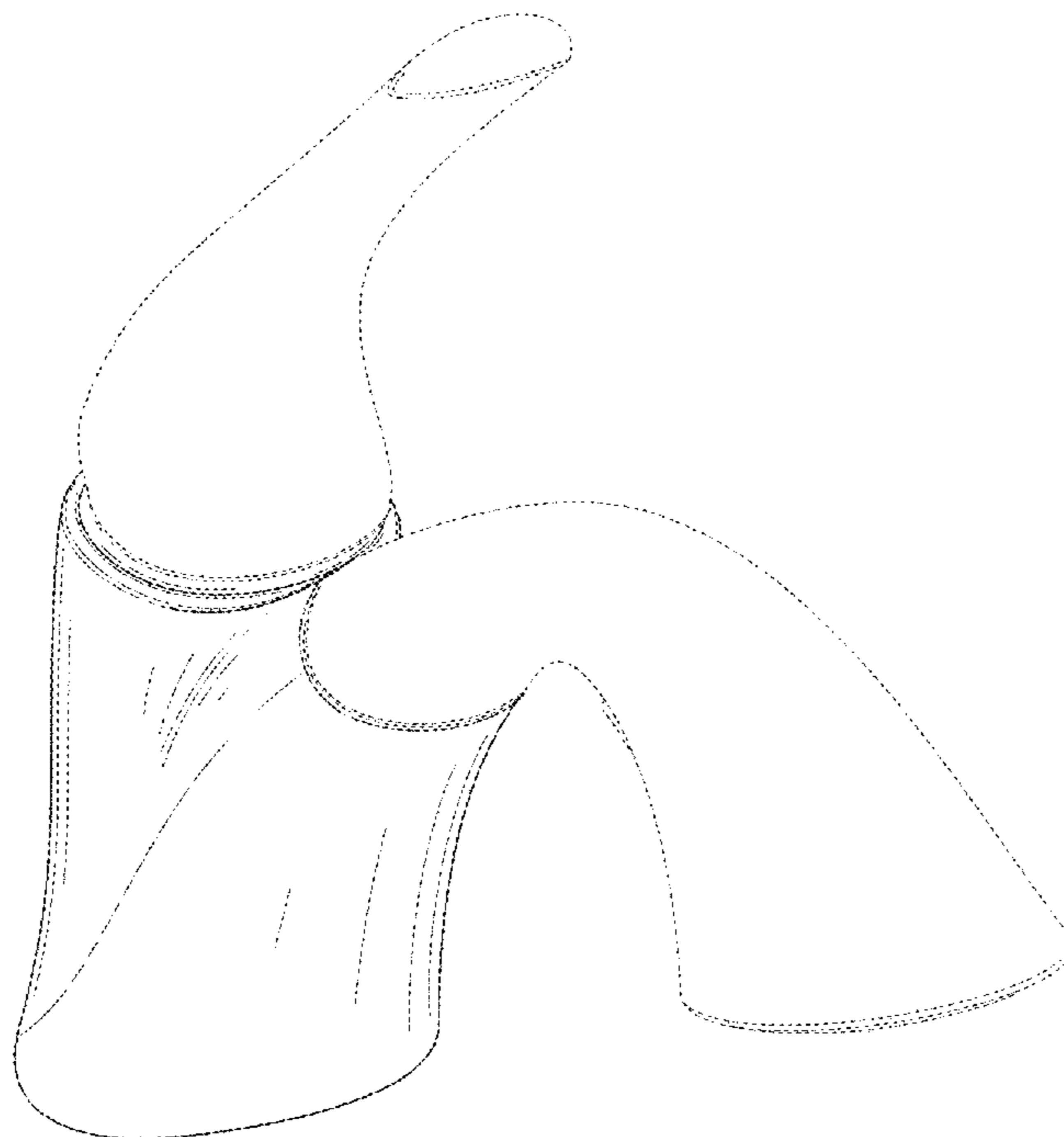
I claim the ornamental design for a faucet, as shown and described.

DESCRIPTION

FIG. 1 is a top, front, left perspective view of an embodiment of the claimed design;
FIG. 2 is a bottom, front, left perspective view thereof;
FIG. 3 is a front elevation view thereof;
FIG. 4 is a rear elevation view thereof;
FIG. 5 is a right side elevation view thereof, and the left side elevation view of the claimed design is a mirror image of the right side elevation view;
FIG. 6 is a top plan view thereof; and,
FIG. 7 is a bottom plan view thereof.

The ornamental design which is claimed is shown in solid lines in the drawings. The broken lines in the drawings form no part of the claimed design. Broken lines formed by equal length dashes show unclaimed subject matter. Broken lines formed by unequal length dashes (i.e., dash-dot) define bounds of the claimed design.

1 Claim, 5 Drawing Sheets



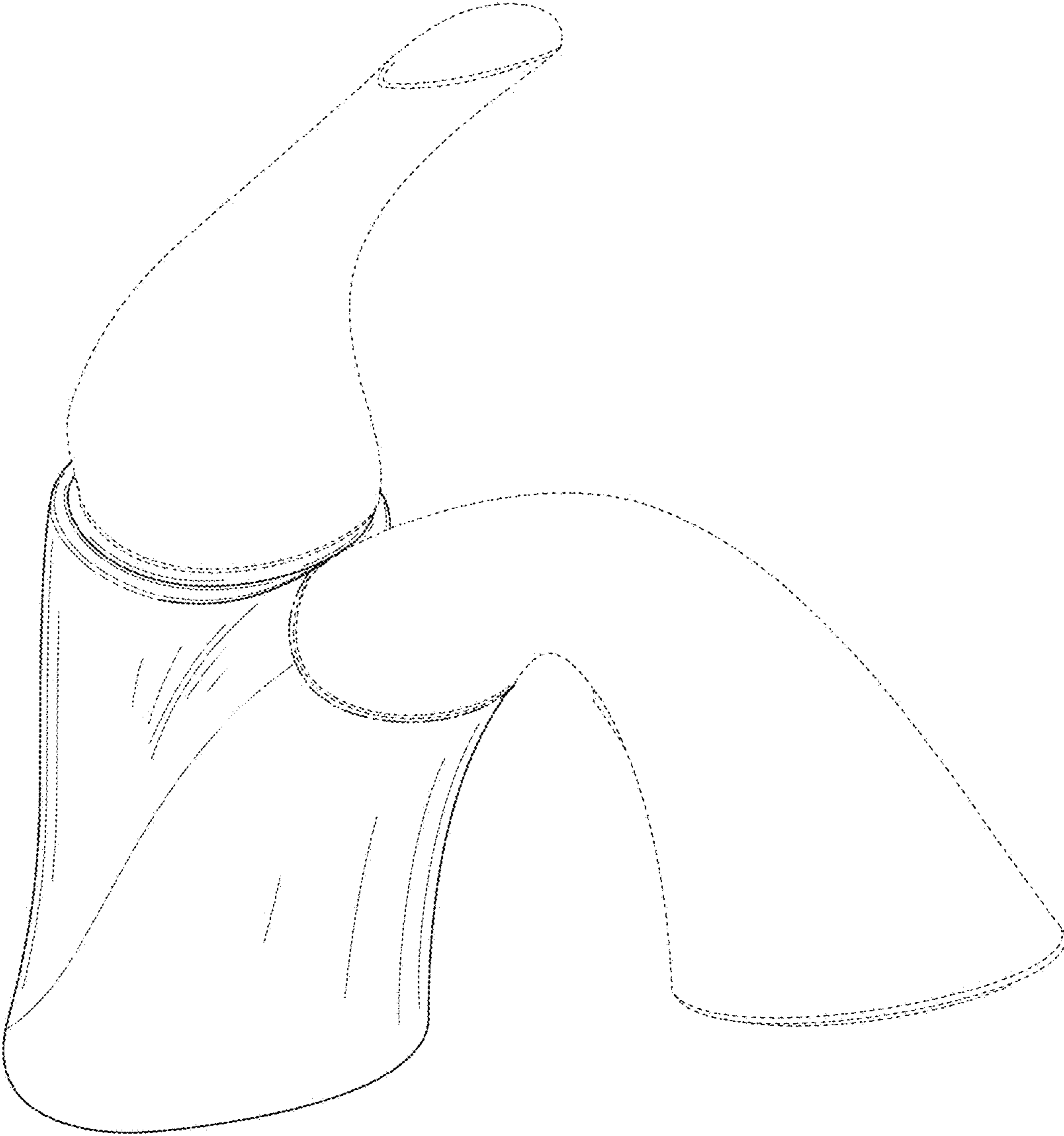


FIG. 1

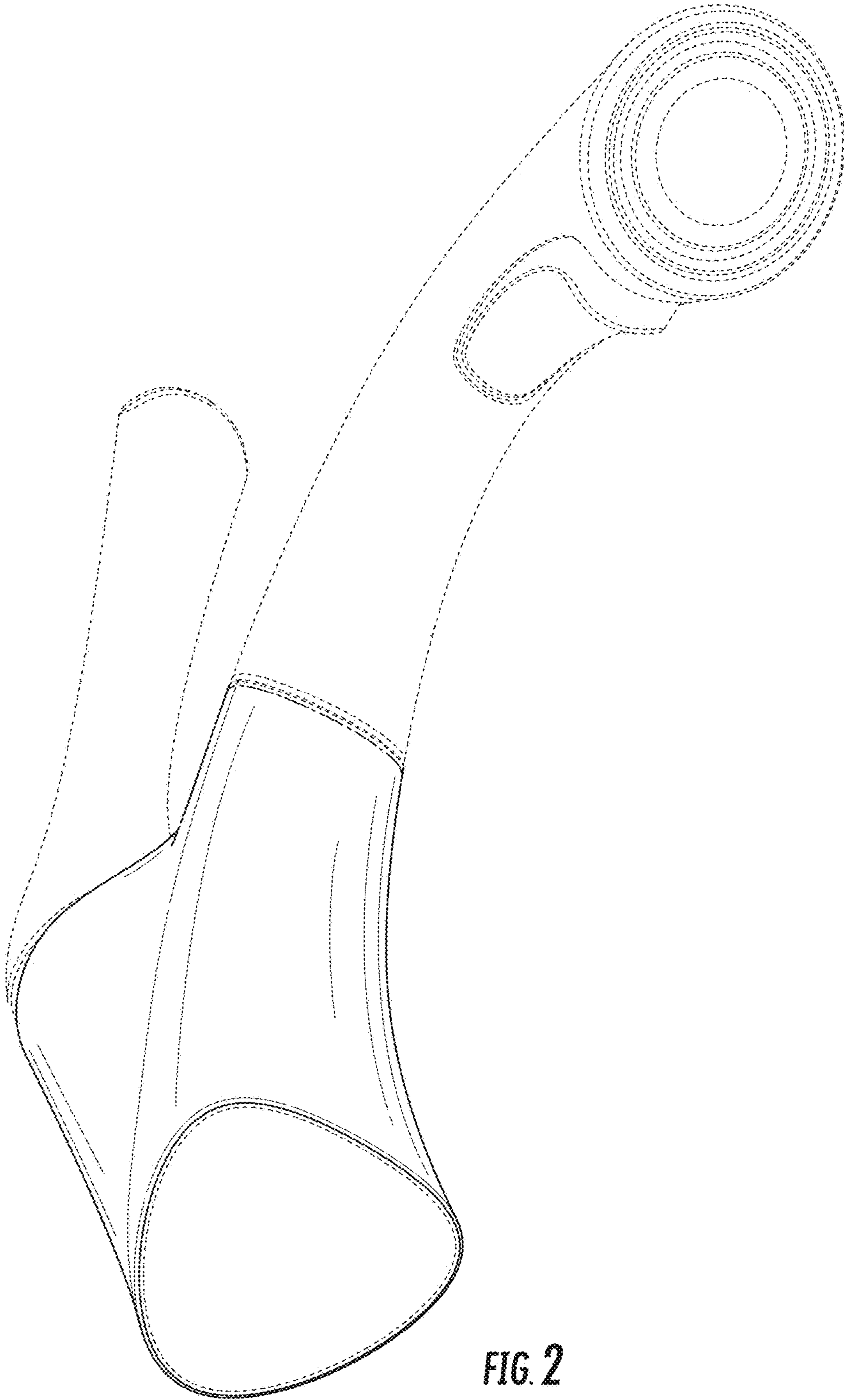


FIG. 2

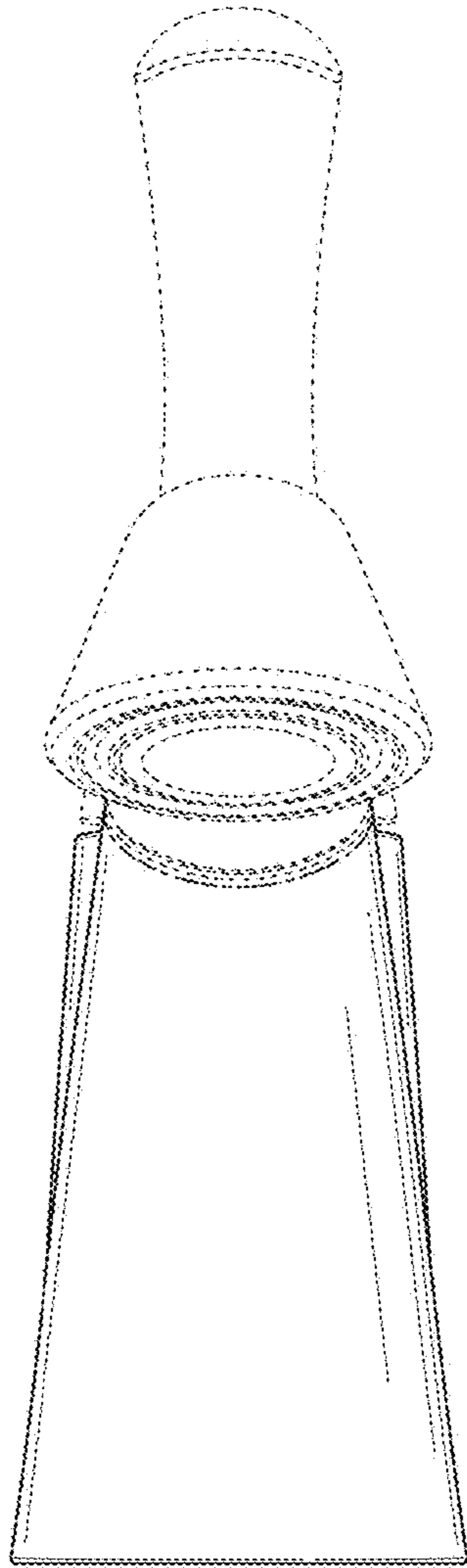


FIG. 3

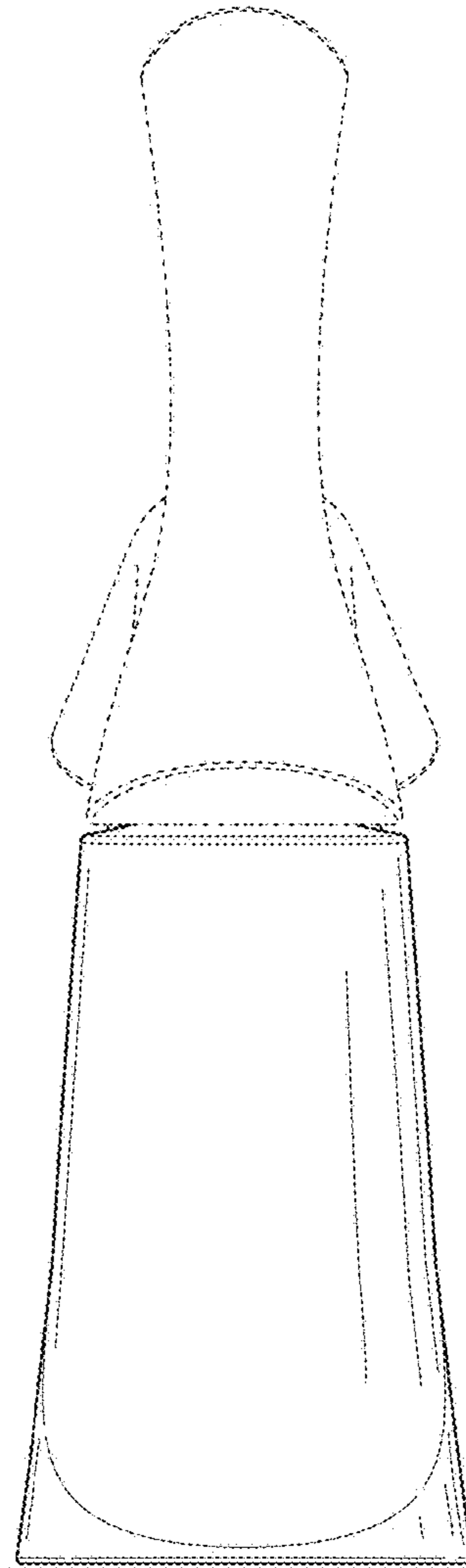


FIG. 4

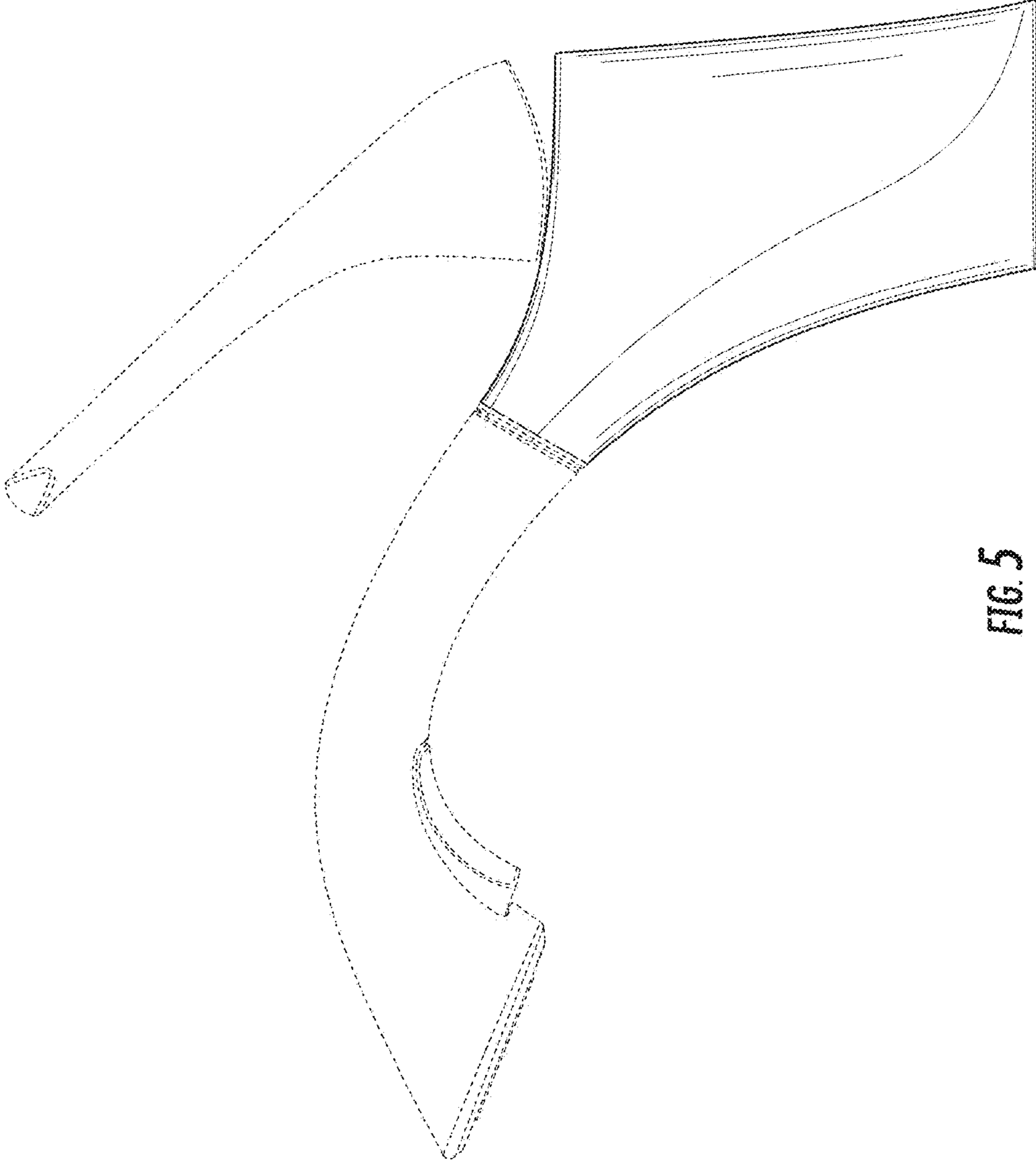


FIG. 5

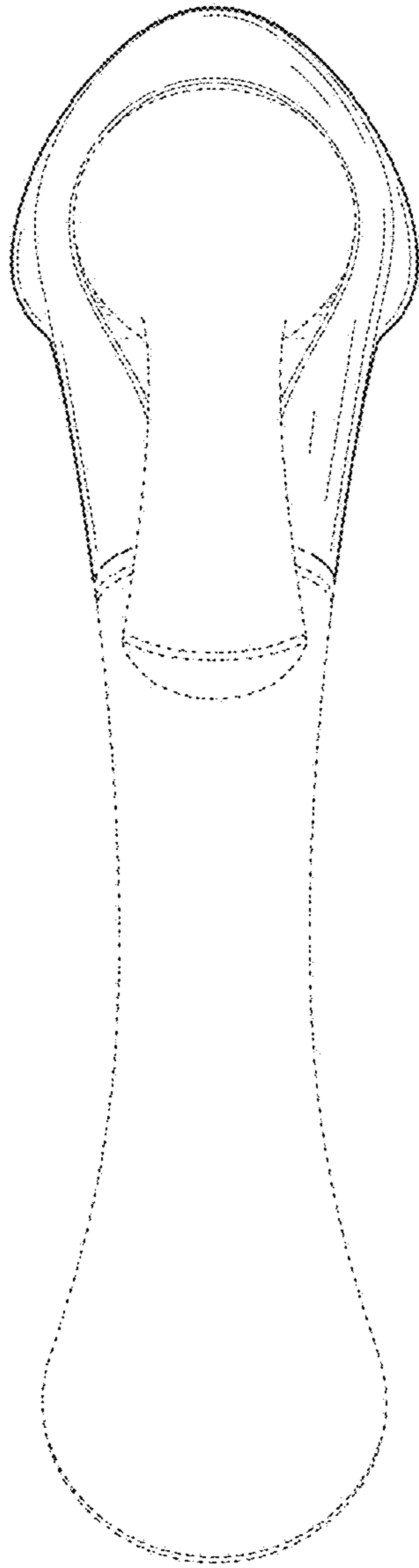


FIG. 6

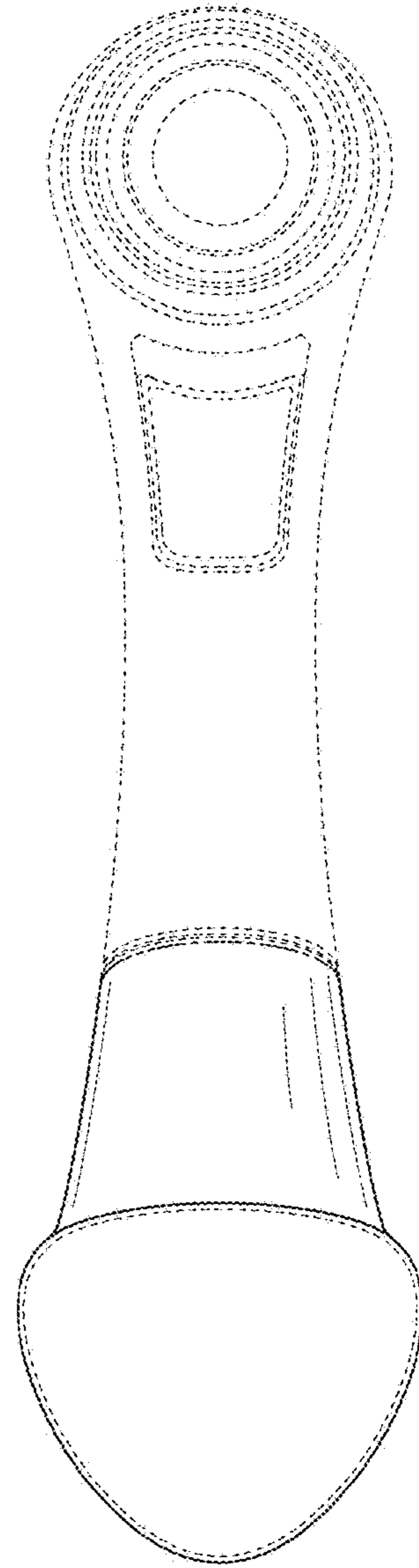


FIG. 7