



US00D815247S

(12) **United States Design Patent**
Homer

(10) **Patent No.:** **US D815,247 S**

(45) **Date of Patent:** **** Apr. 10, 2018**

(54) **FILTER MEMBER FOR FILTERING IRRIGATION WATER**

(71) Applicant: **Richard Scott Homer**, Holcomb, KS (US)

(72) Inventor: **Richard Scott Homer**, Holcomb, KS (US)

(**) Term: **15 Years**

(21) Appl. No.: **29/578,767**

(22) Filed: **Sep. 23, 2016**

(51) **LOC (11) Cl.** **23-01**

(52) **U.S. Cl.**
USPC **D23/209**

(58) **Field of Classification Search**
USPC D23/207, 209; 210/282, 232
CPC . C02F 1/003; C02F 7/00; B01D 29/15; B01D 29/11; B01D 35/30; B01D 35/153
See application file for complete search history.

(56) **References Cited**

U.S. PATENT DOCUMENTS

- 4,635,663 A * 1/1987 Rollins B08B 9/032
134/166 C
- D385,946 S * 11/1997 Harrison D23/209
- D405,867 S * 2/1999 Denkwicz, Jr. D23/209

- D405,868 S * 2/1999 Denkwicz, Jr. D23/209
- D411,282 S * 6/1999 King D23/209
- 6,006,829 A * 12/1999 Whitlock B01D 29/15
166/228
- D551,318 S * 9/2007 MacNeil D23/209
- D696,745 S * 12/2013 Hammerback D23/209
- D753,790 S * 4/2016 Torgerud D23/209
- 9,327,219 B2 * 5/2016 Brunswick B01D 29/6476

* cited by examiner

Primary Examiner — Robin V Webster

(74) *Attorney, Agent, or Firm* — Robert Blinn

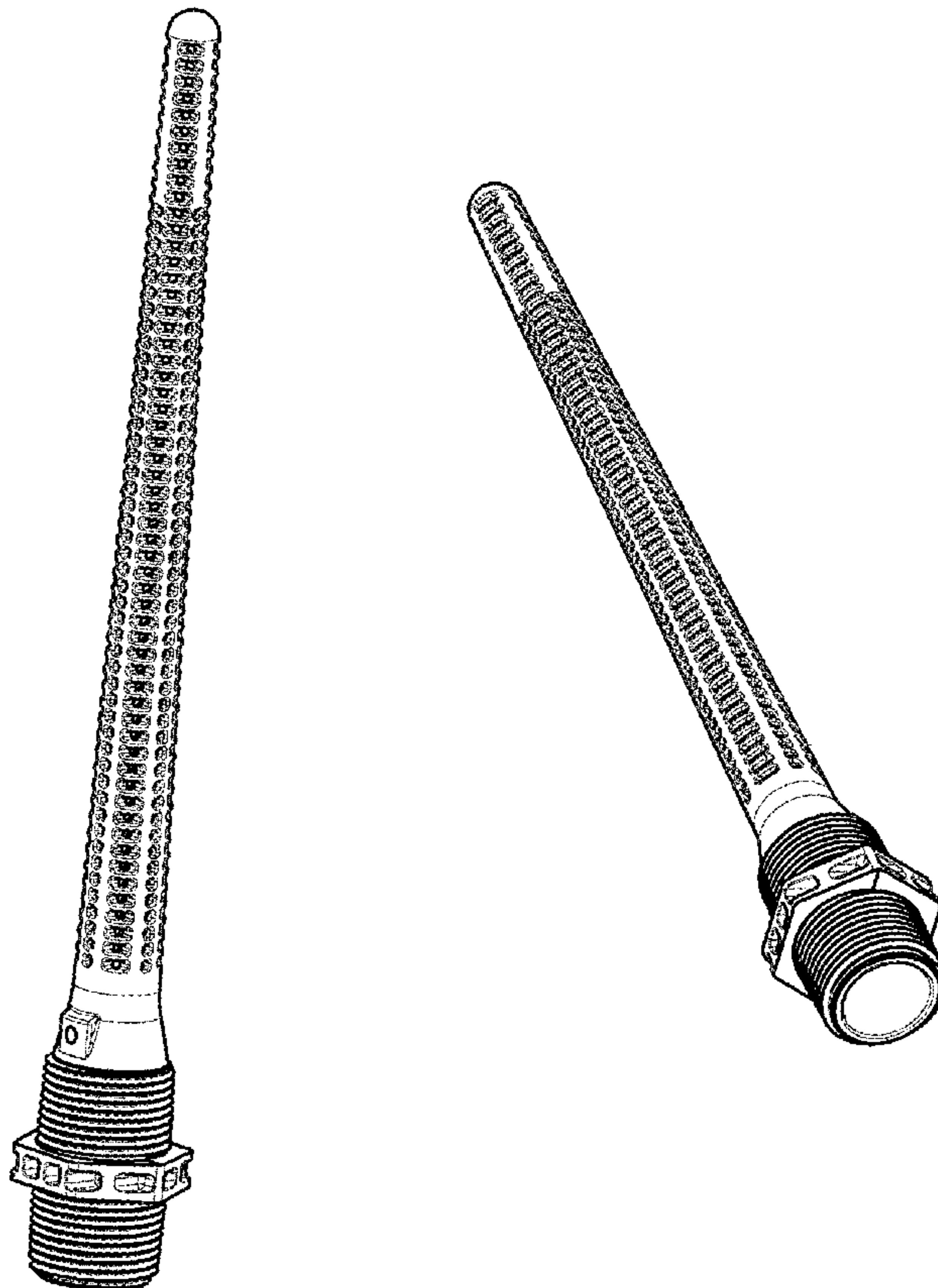
(57) **CLAIM**

The ornamental design for a filter member for filtering irrigation water, as shown.

DESCRIPTION

FIG. 1 is a first perspective view of the filter member for filtering irrigation water showing my new design.
 FIG. 2 is a second perspective view of the filter member for filtering irrigation water showing my new design.
 FIG. 3 is a front view of the filter member for filtering irrigation water showing my new design.
 FIG. 4 is a side view of the filter member for filtering irrigation water showing my new design.
 FIG. 5 is an enlarged top view of the filter member for filtering irrigation water showing my new design; and,
 FIG. 6 is an enlarged bottom view of the filter member for filtering irrigation water showing my new design.

1 Claim, 5 Drawing Sheets



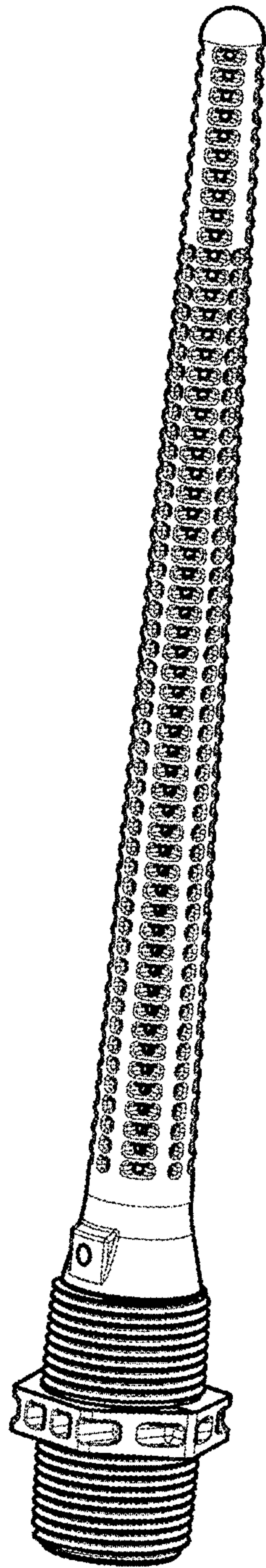


FIG. 1

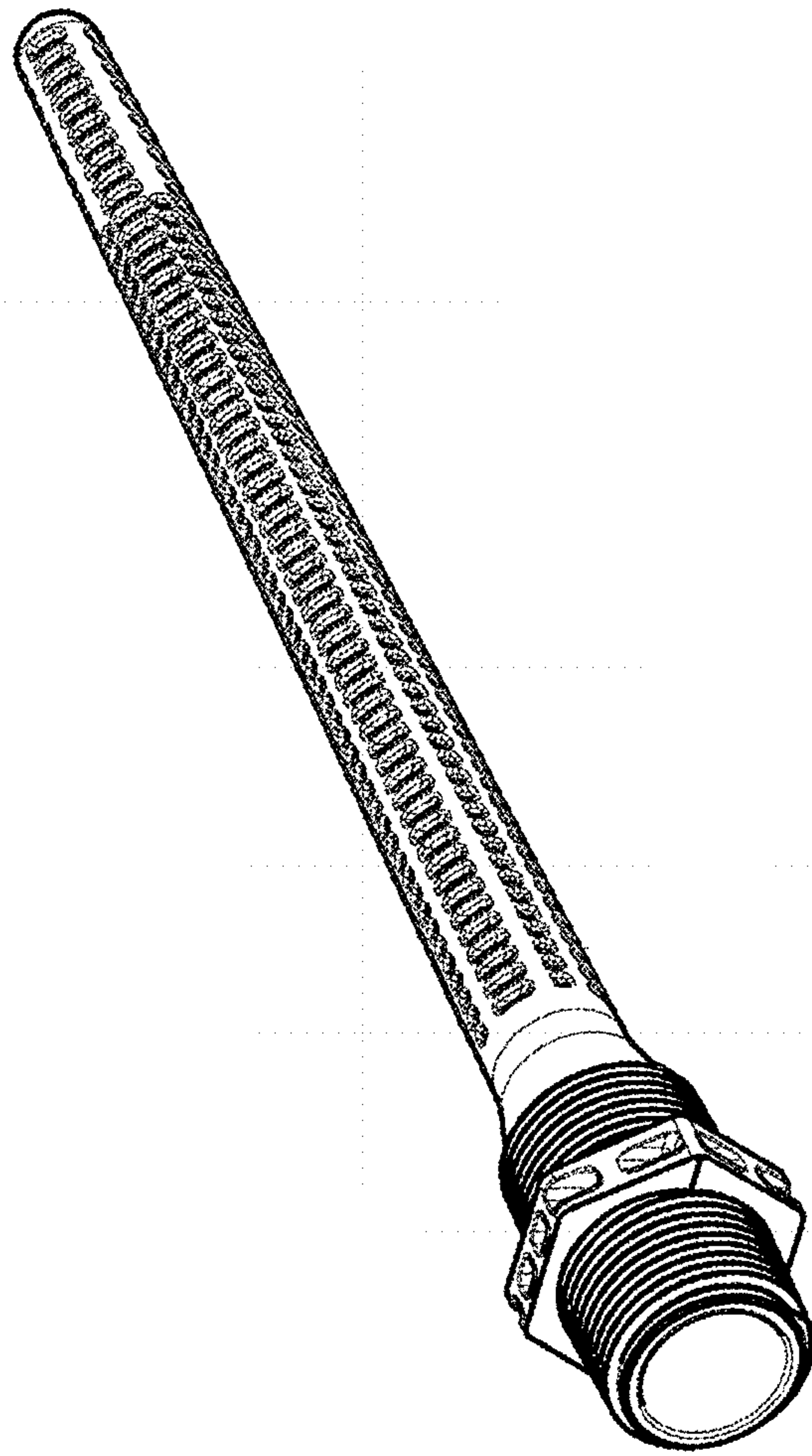


FIG. 2

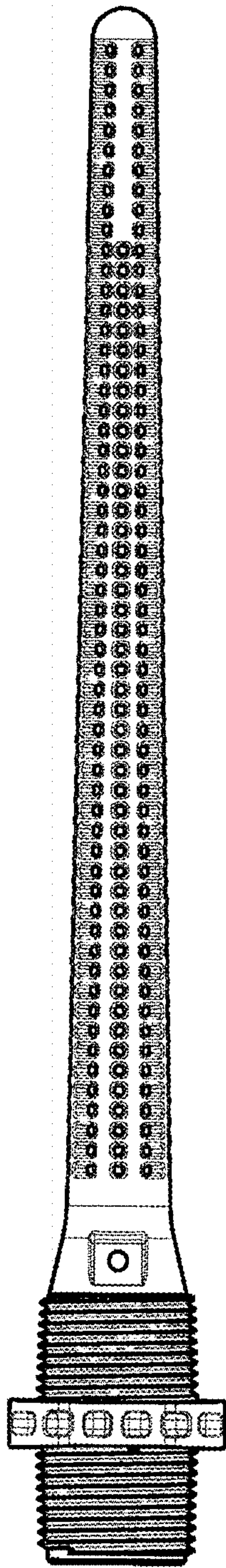


FIG. 3

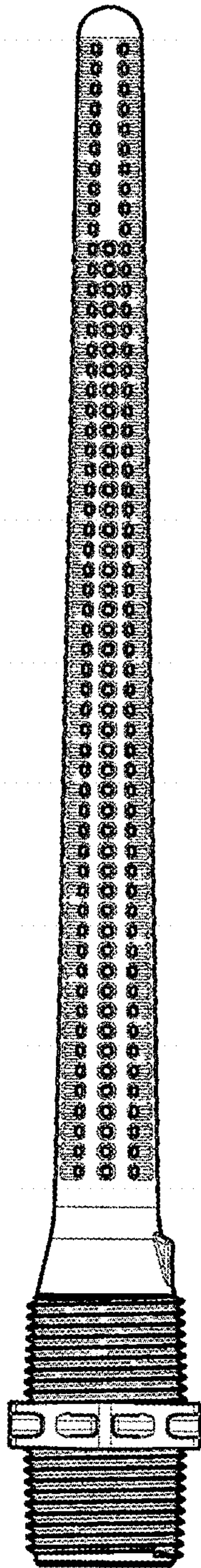


FIG. 4

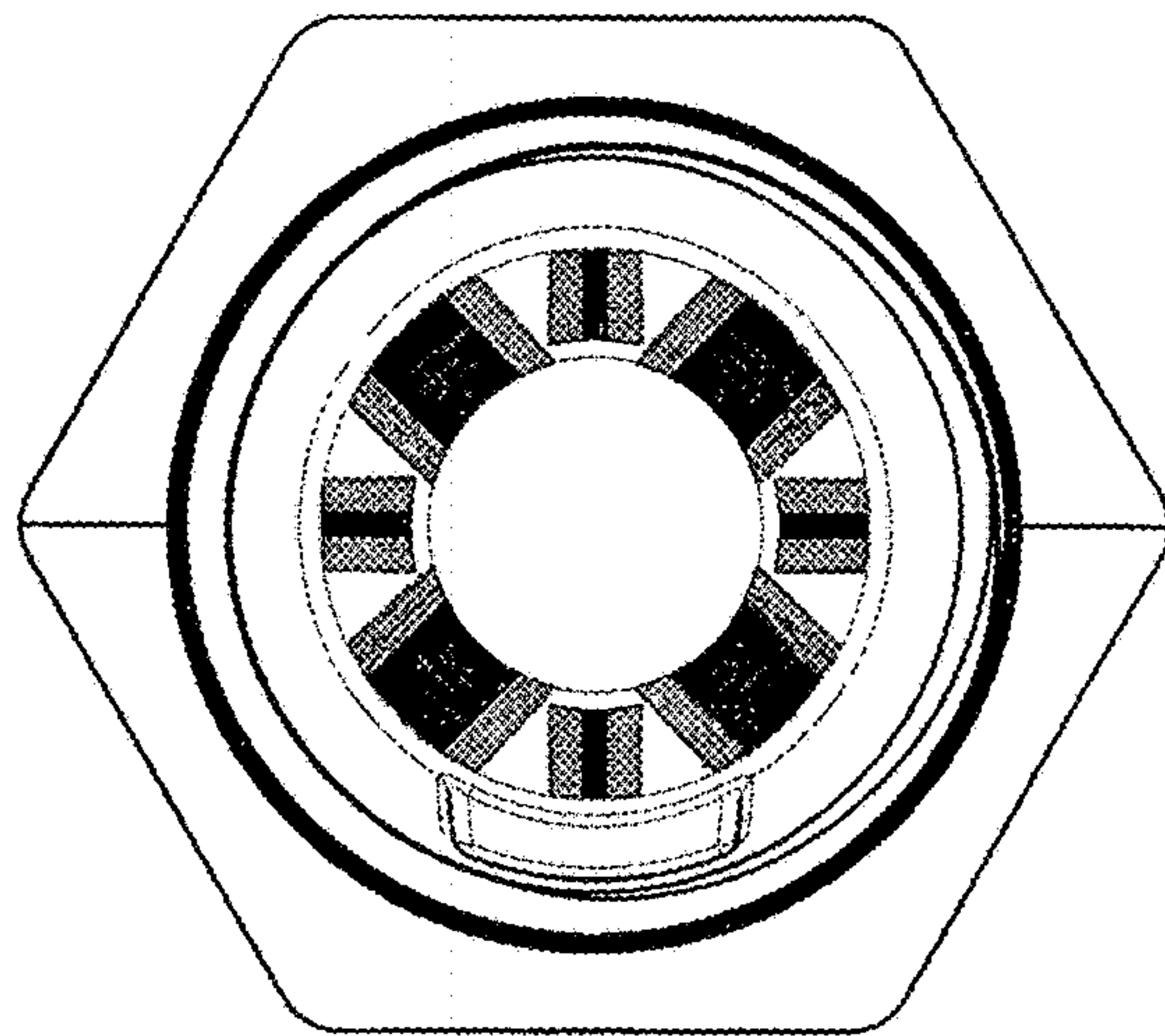


FIG. 5

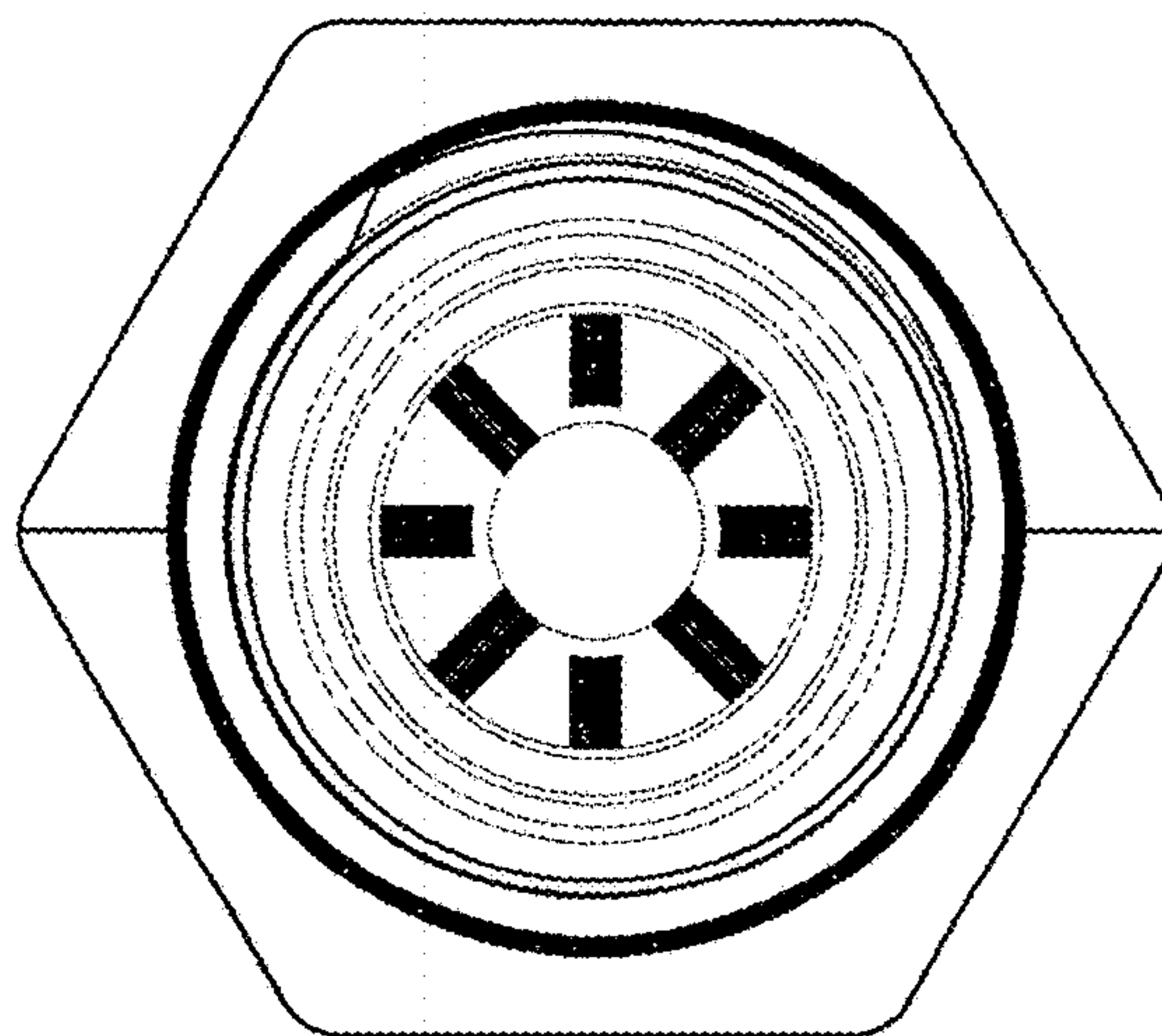


FIG. 6