



US00D815244S

(12) **United States Design Patent**
Humphreys, Jr. et al.

(10) **Patent No.:** **US D815,244 S**

(45) **Date of Patent:** **** Apr. 10, 2018**

(54) **ILLUMINATING FISHING REEL**

(56) **References Cited**

(71) Applicants: **William O. Humphreys, Jr.**, Baton Rouge, LA (US); **Stephen E. Miclette, Jr.**, Baton Rouge, LA (US); **William O. Humphreys, Sr.**, Baton Rouge, LA (US)

U.S. PATENT DOCUMENTS

2,190,786	A *	2/1940	Henze	A01K 89/0155 242/286
3,530,611	A *	9/1970	Britt	A01K 89/015 242/309
7,921,592	B2	4/2011	Carelock	
D650,038	S *	12/2011	Combrowski	D22/137
D659,791	S *	5/2012	Combrowski	D22/137

(72) Inventors: **William O. Humphreys, Jr.**, Baton Rouge, LA (US); **Stephen E. Miclette, Jr.**, Baton Rouge, LA (US); **William O. Humphreys, Sr.**, Baton Rouge, LA (US)

* cited by examiner

Primary Examiner — Catherine Oliver-Garcia

(73) Assignee: **Humphreys' H&H Lure Company, LLC**, Baton Rouge, LA (US)

(74) *Attorney, Agent, or Firm* — nolaIP, LLC; Neil Joseph Coig

(**) Term: **15 Years**

(57) **CLAIM**

(21) Appl. No.: **29/584,788**

The ornamental design for an illuminating fishing reel, as shown and described.

(22) Filed: **Nov. 17, 2016**

DESCRIPTION

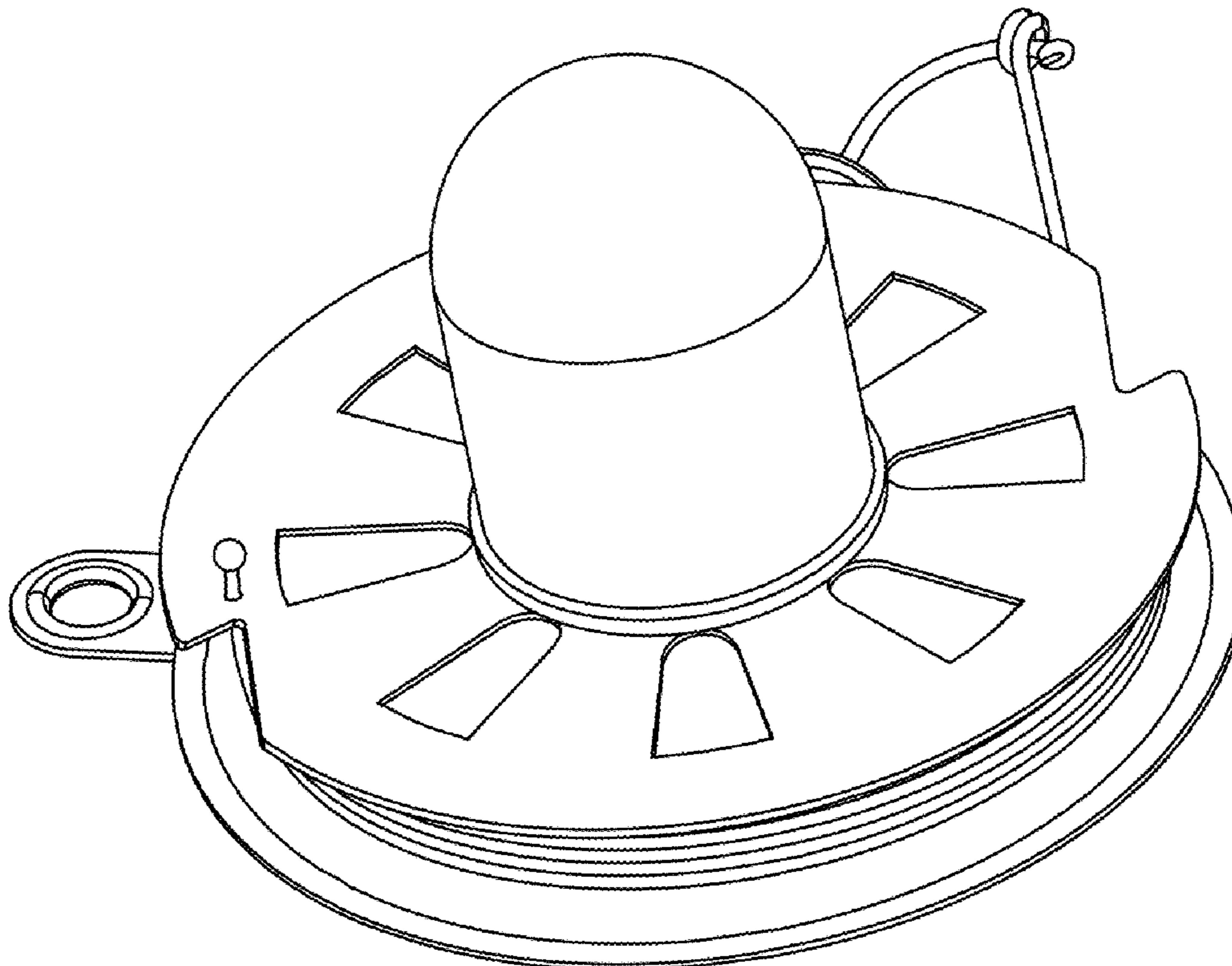
(51) **LOC (11) Cl.** **22-05**

(52) **U.S. Cl.**
USPC **D22/140**

(58) **Field of Classification Search**
USPC D22/137-141; 43/17, 20, 21.2, 25;
242/286, 309, 317, 322, 511, 530
CPC A01K 89/015; A01K 89/0155
See application file for complete search history.

FIG. 1 is a left side view of the illuminating fishing reel. FIG. 2 is a right side view of the illuminating fishing reel. FIG. 3 is a perspective view of the illuminating fishing reel. FIG. 4 is a top view of the illuminating fishing reel; and, FIG. 5 is a bottom side view of the illuminating fishing reel.

1 Claim, 3 Drawing Sheets



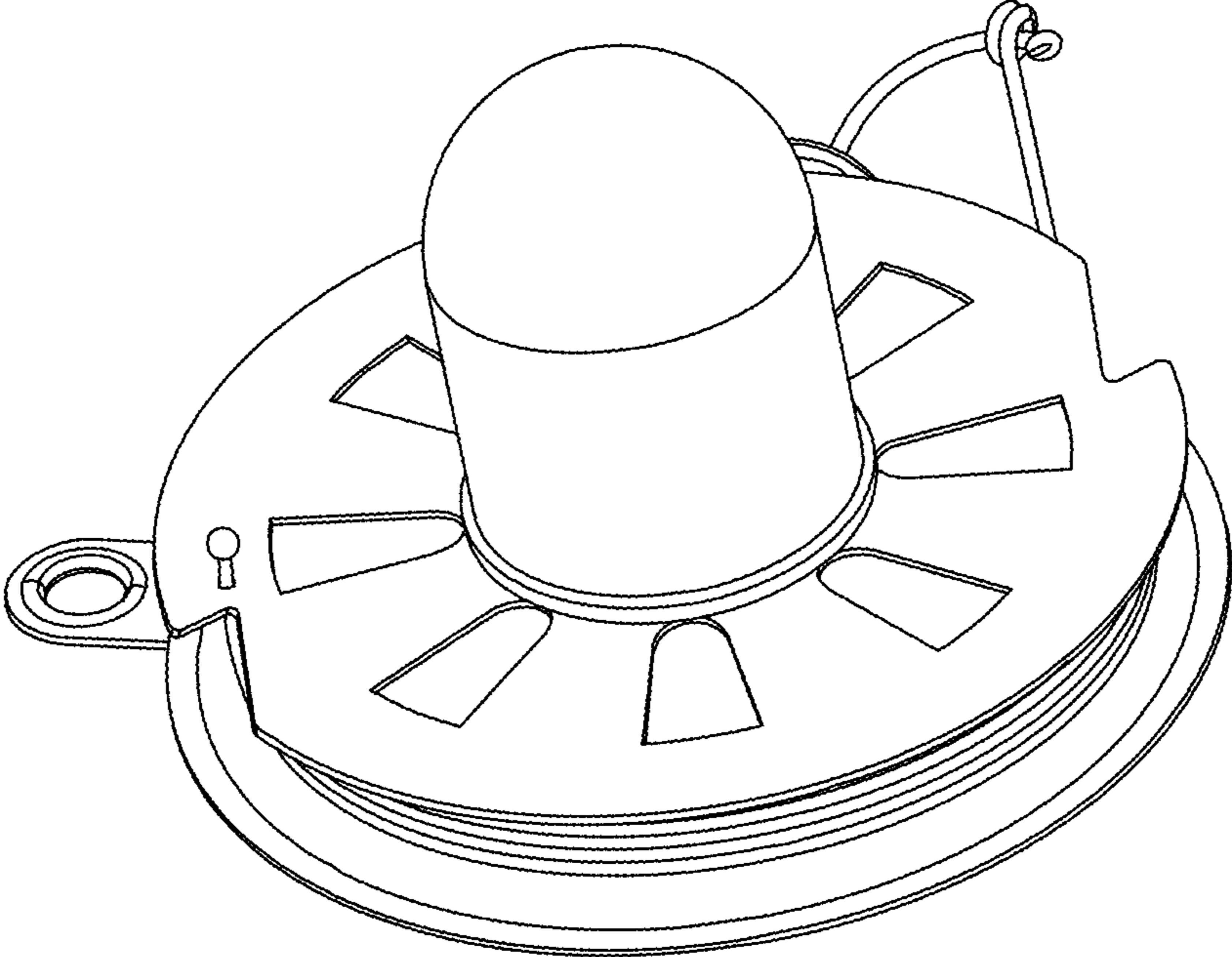


FIG.1

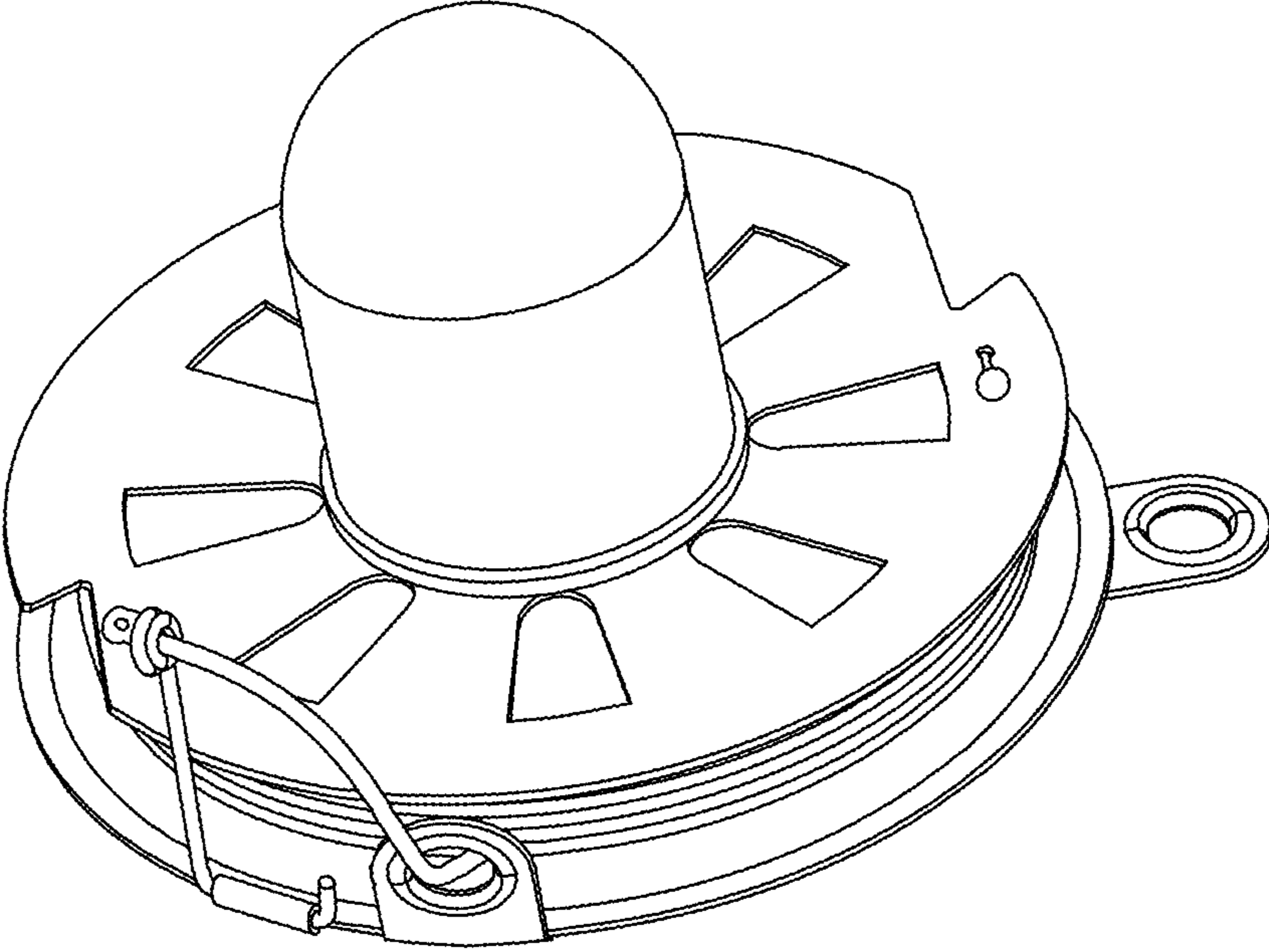


FIG.2

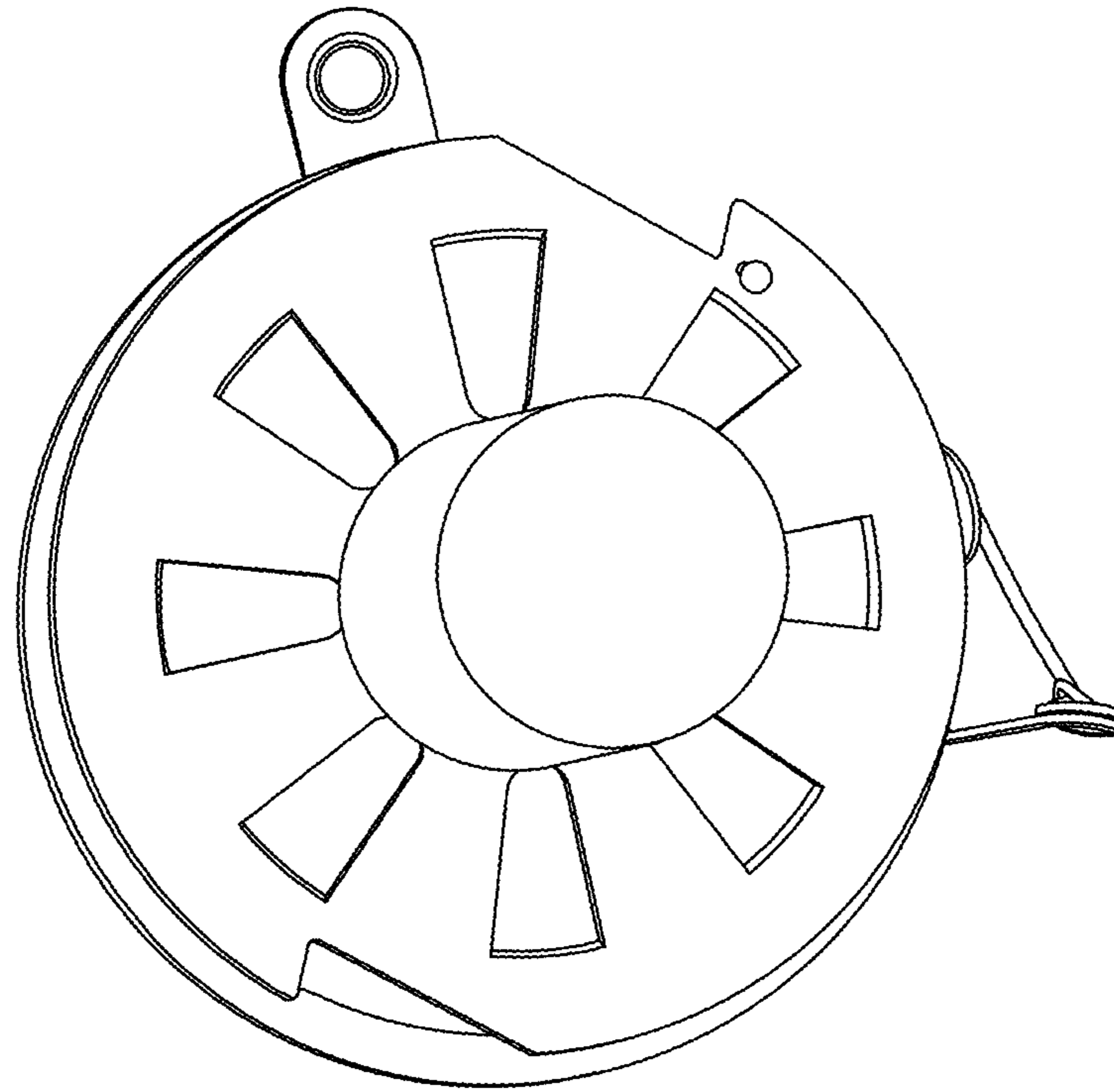


FIG.3

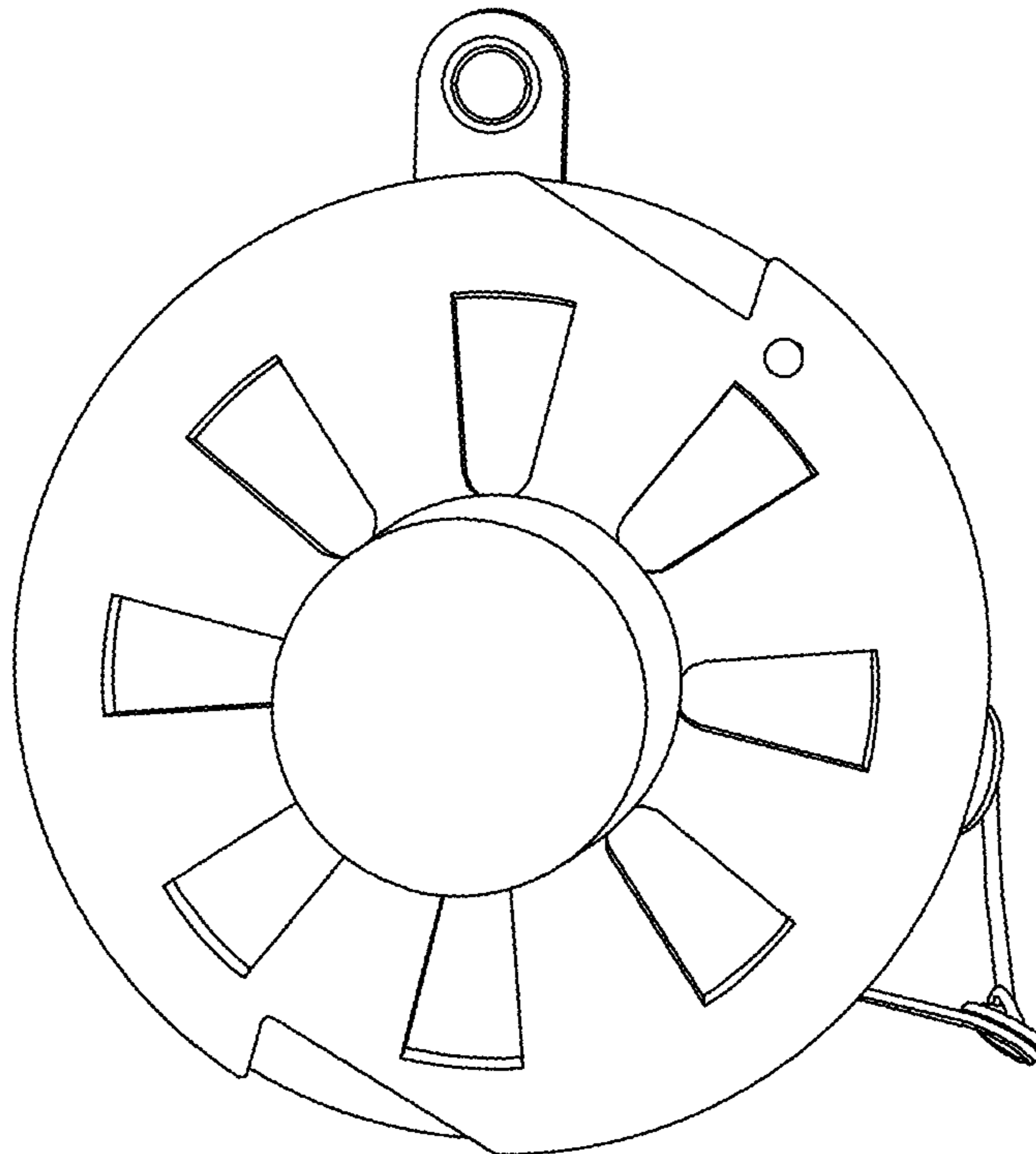


FIG.4

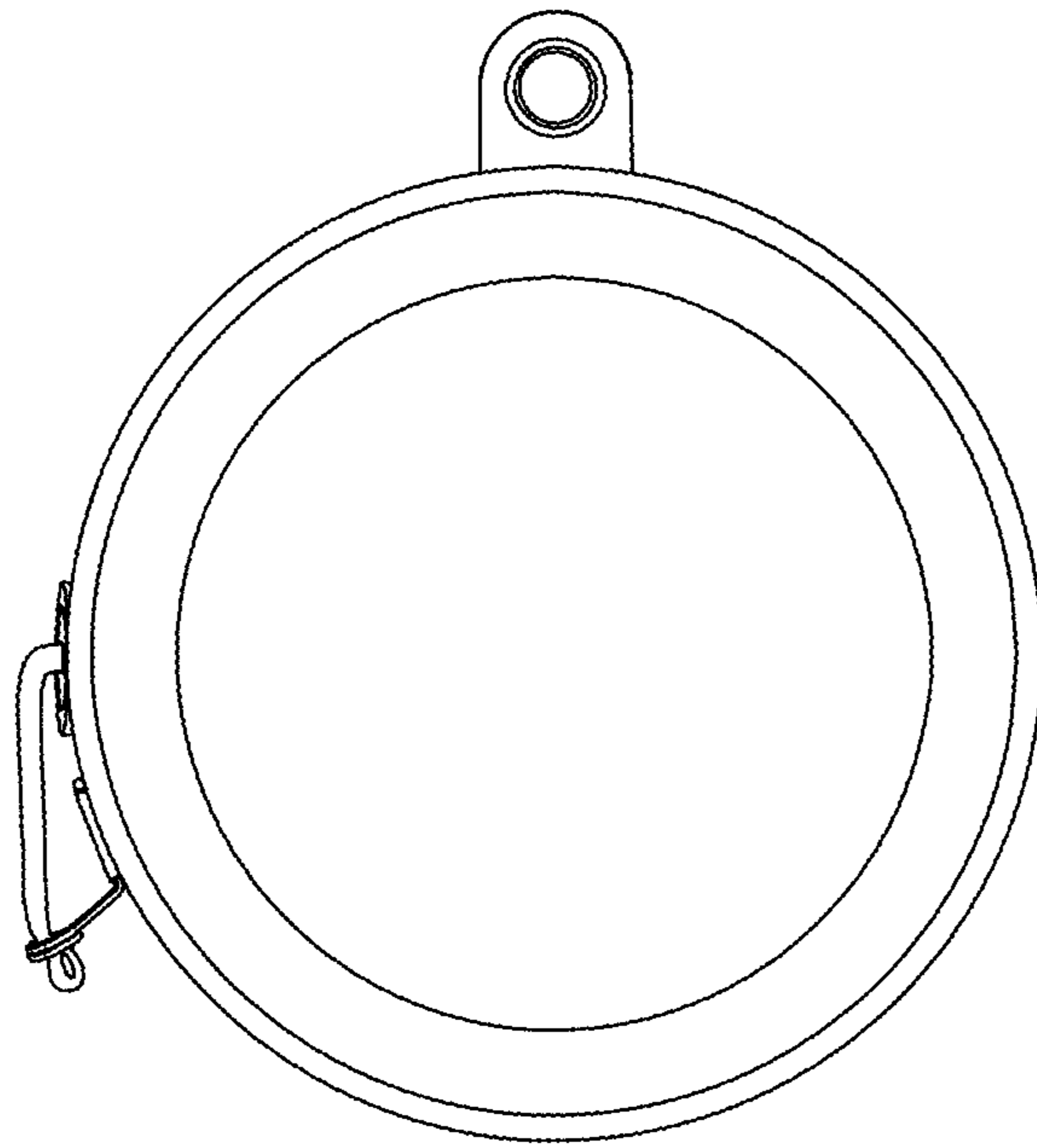


FIG.5