



US00D815242S

(12) **United States Design Patent**
Stethem

(10) **Patent No.:** **US D815,242 S**

(45) **Date of Patent:** **** Apr. 10, 2018**

- (54) **BATON**
- (71) Applicant: **Aegis Industries, Inc.**, Rockville, MD (US)
- (72) Inventor: **Kenneth J. Stethem**, Rockville, MD (US)
- (73) Assignee: **Aegis Industries, Inc.**, Rockville, MD (US)

- 2,266,606 A 12/1941 Jones
- 2,561,122 A 7/1951 Juergens
- 3,009,245 A 11/1961 Senkewitz
- 3,362,711 A 1/1968 Larsen et al.
- 3,385,601 A 5/1968 Black
- 3,484,665 A 12/1969 Ormsby
- 3,625,222 A 12/1971 Shimizu et al.
- 3,635,374 A 1/1972 Anketell
- D230,150 S 1/1974 Anderson
- 3,819,108 A 6/1974 Jordan
- D243,261 S 2/1977 Sartell

(Continued)

(**) Term: **15 Years**

FOREIGN PATENT DOCUMENTS

(21) Appl. No.: **29/548,082**

- DE 2723997 11/1978
- DE 20212940 12/2002

(22) Filed: **Dec. 10, 2015**

(Continued)

(51) **LOC (11) Cl.** **22-02**

(52) **U.S. Cl.**

USPC **D22/117**

(58) **Field of Classification Search**

USPC D22/117-120, 104-105; 224/914;
 222/39, 153.11, 153.13, 162, 183, 113;
 42/1.01, 1.08; 124/25; 463/47.2, 47.6
 CPC .. F41B 5/12; F41B 15/00; F41B 15/02; F21V
 33/0064

See application file for complete search history.

OTHER PUBLICATIONS

Monadnock Lifetime Products, Inc., "PR-24® Specification," (1 pg.), undated.

(Continued)

Primary Examiner — Catherine R Oliver-Garcia

(57) **CLAIM**

The ornamental design for a baton, as shown.

(56) **References Cited**

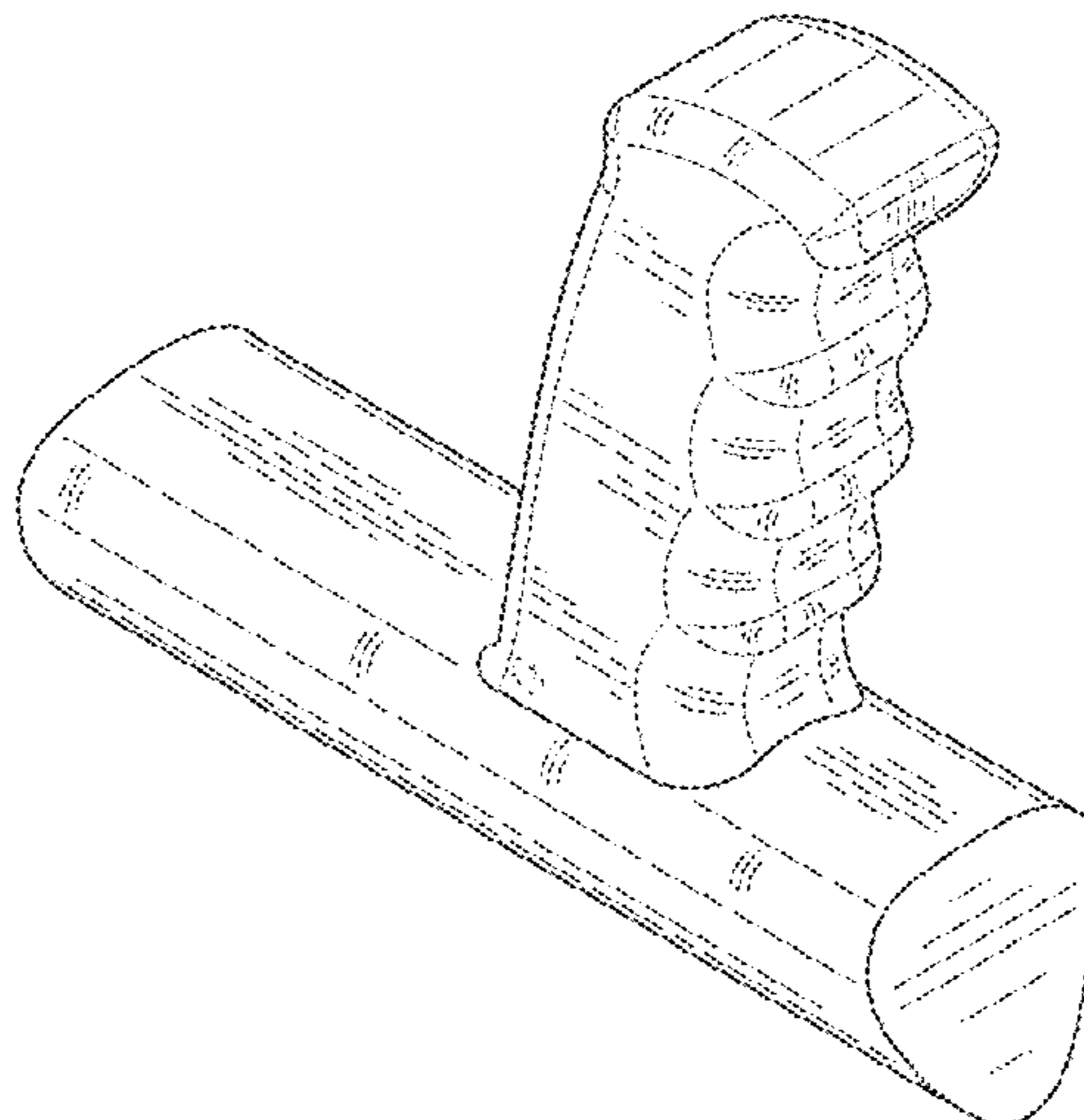
U.S. PATENT DOCUMENTS

- 291,242 A 1/1884 Tower
- 427,549 A 5/1890 Burton
- 769,880 A 9/1904 Trout et al
- 1,158,473 A 11/1915 Floyd
- 1,224,850 A 5/1917 Byrne
- 1,598,784 A 9/1926 Reynolds et al.
- 1,823,407 A 9/1931 Potter
- 1,986,682 A 1/1935 Schulz
- 2,176,994 A 10/1939 Hansen et al.
- 2,204,041 A 6/1940 Jefferson
- 2,208,852 A 7/1940 Mongan
- 2,253,315 A 8/1941 Andrus

DESCRIPTION

FIG. 1 is a perspective view of a baton.
 FIG. 2 is a right elevation view of the baton of FIG. 1.
 FIG. 3 is a left elevation view of the baton of FIG. 1.
 FIG. 4 is a front elevation view of the baton of FIG. 1.
 FIG. 5 is a rear elevation view of the baton of FIG. 1.
 FIG. 6 is a top plan view of the baton of FIG. 1; and,
 FIG. 7 is a bottom plan view of the baton of FIG. 1.
 The broken lines depict portions of the baton that form no part of the claimed design.

1 Claim, 5 Drawing Sheets



(56)

References Cited

U.S. PATENT DOCUMENTS

4,092,695 A	5/1978	Henderson et al.	6,022,120 A	2/2000	Chang et al.
D255,139 S	5/1980	Smith	D421,503 S	3/2000	Parsons
4,203,599 A	5/1980	Starrett	6,091,597 A	7/2000	Lin et al.
4,424,932 A	1/1984	Allen	D435,888 S	1/2001	Iyoob
D273,216 S	3/1984	Sinrod	6,196,921 B1	3/2001	Larson
4,479,171 A	10/1984	Mains	D440,273 S	4/2001	Hindi
4,486,807 A	12/1984	Yanez	6,256,916 B1	7/2001	McNulty
4,492,377 A *	1/1985	Eby F41B 15/02 463/47.2	6,293,684 B1	9/2001	Riblett
D277,596 S	2/1985	Nishiuchi	D450,451 S	11/2001	Starrett
4,522,398 A	6/1985	Swartz et al.	D452,545 S	12/2001	Starrett
D281,993 S *	12/1985	Cellini D22/104	6,386,726 B1	5/2002	Macierowski et al.
D282,863 S	3/1986	Kashary, Jr.	D464,367 S	10/2002	Conrad
D289,313 S	4/1987	Shy et al.	D467,828 S	12/2002	Jones
4,667,431 A	5/1987	Mendocino	6,499,855 B1	12/2002	Kukuk
4,667,958 A	5/1987	Raitto	6,546,661 B1	4/2003	Staubs
4,719,534 A	1/1988	Ward	D474,827 S	5/2003	Todd
4,739,990 A	4/1988	Aguirre et al.	D479,298 S	9/2003	Parsons
D300,838 S	4/1989	Smith, Sr.	6,615,622 B2	9/2003	MacAleese et al.
4,842,277 A	6/1989	LaCroix	6,636,412 B2	10/2003	Smith
4,852,454 A	8/1989	Batchelder	6,643,114 B2	11/2003	Stethem
4,949,966 A	8/1990	Bopp	D483,432 S	12/2003	Parsons
4,964,636 A	10/1990	Ashihara et al.	6,658,779 B2	12/2003	Bauer et al.
4,968,034 A	11/1990	Hsieh et al.	6,675,073 B2	1/2004	Kierman et al.
D315,391 S	3/1991	Fabrey	D487,629 S	3/2004	Parsons et al.
D315,392 S	3/1991	Lew	6,761,639 B2	7/2004	Todd
5,041,951 A	8/1991	Fan et al.	6,791,816 B2	9/2004	Stethem
D320,428 S	10/1991	Rust	6,807,762 B1	10/2004	Edwards
5,060,123 A	10/1991	Arnold	6,877,434 B1	4/2005	McNulty, Jr.
5,085,433 A	2/1992	Parsons	6,880,466 B2	4/2005	Carman
5,086,377 A	2/1992	Roberts	D504,712 S	5/2005	Powell
5,108,098 A	4/1992	Ashihara et al.	6,898,887 B1	5/2005	Stratbucker
D329,510 S	9/1992	Lin et al.	6,922,931 B2	8/2005	Bauer et al.
5,153,365 A	10/1992	Chang	6,999,295 B2	2/2006	Watkins, III et al.
5,160,140 A	11/1992	Starrett	7,000,807 B2	2/2006	Cellini et al.
D333,692 S	3/1993	Parsons	7,004,597 B2	2/2006	Kukuk
D333,693 S	3/1993	Parsons	D517,154 S	3/2006	Otto
5,192,074 A	3/1993	Ashihara et al.	7,029,397 B1	4/2006	Barwick
5,193,048 A	3/1993	Kaufman et al.	D520,593 S	5/2006	Anderson
5,197,734 A	3/1993	Ashihara et al.	D520,733 S	5/2006	Siteman
D334,790 S	4/1993	Jaramillo	7,044,858 B1	5/2006	Otto et al.
5,287,255 A	2/1994	Strodtman	7,102,870 B2	9/2006	Nerheim
5,320,348 A	6/1994	Starrett	D532,859 S	11/2006	Stethem
5,320,349 A	6/1994	Winston	7,158,362 B2	1/2007	Smith
D348,771 S	7/1994	Barnes	7,211,001 B2	5/2007	Motyka et al.
5,347,436 A	9/1994	Clyde et al.	7,524,076 B2	4/2009	Kukuk
5,348,296 A	9/1994	Frederiksen	D600,780 S	9/2009	Shishido
D351,640 S	10/1994	de Anda et al.	D618,757 S	6/2010	Stethem
5,363,285 A	11/1994	Wideman	7,736,237 B2	6/2010	Stethem et al.
5,405,134 A	4/1995	Wolfram	7,744,471 B2	6/2010	Parsons
5,407,197 A	4/1995	Parsons	7,753,041 B2 *	7/2010	Ogawa F41B 5/12 124/25
D359,338 S	6/1995	Starrett	D637,263 S *	5/2011	Pennington D22/117
D360,007 S	7/1995	Farr	8,231,474 B2	7/2012	Stethem
D363,674 S	10/1995	Bonsall	D673,639 S *	1/2013	Gonzalez D22/117
5,465,960 A	11/1995	Bickerton et al.	D688,769 S *	8/2013	Lord D22/117
5,467,247 A	11/1995	de Anda et al.	D689,165 S *	9/2013	Tyybakinoja D22/117
D365,622 S	12/1995	Edwards	D695,873 S *	12/2013	Sheikh D22/117
D370,276 S	5/1996	Davis	D703,020 S	4/2014	Zhu
5,529,215 A *	6/1996	Banks F21V 33/0064 42/1.08	D725,098 S	3/2015	Neumann
5,529,300 A	6/1996	Frazier et al.	D732,143 S	6/2015	Roden
D376,024 S	11/1996	Ryan	D753,268 S	4/2016	Nishimura
5,654,867 A	8/1997	Murray	D757,900 S	5/2016	Yakushijin
5,698,815 A	12/1997	Ragner	D778,396 S	2/2017	Stethem
D391,336 S	2/1998	Cecilio	D802,078 S	11/2017	Stethem
D395,069 S	6/1998	Starrett	D802,706 S	11/2017	Stethem
D401,374 S	11/1998	Lum	2002/0119825 A1	8/2002	Evenson
5,829,643 A	11/1998	Isabella	2002/0163799 A1	11/2002	Kukuk
5,839,461 A	11/1998	Lambeth, Jr.	2002/0170418 A1	11/2002	McNulty, Jr. et al.
5,842,601 A	12/1998	Pierpoint	2003/0139215 A1	7/2003	Todd
5,842,602 A	12/1998	Pierpoint	2003/0165041 A1	9/2003	Stethem
D404,789 S	1/1999	Starrett	2003/0165042 A1	9/2003	Stethem
5,962,806 A	10/1999	Coakley et al.	2004/0065310 A1	4/2004	Masse
5,986,872 A	11/1999	Chaput	2004/0137988 A1	7/2004	Parsons
D418,617 S	1/2000	Parsons	2004/0156163 A1	8/2004	Nerheim
			2005/0037847 A1	2/2005	Pickens, Jr.
			2005/0039628 A1	2/2005	Carman
			2005/0043101 A1	2/2005	Knapp
			2005/0073796 A1	4/2005	Smith et al.
			2005/0073798 A1	4/2005	Stethem

(56)

References Cited

OTHER PUBLICATIONS

U.S. PATENT DOCUMENTS

2005/0152087	A2	7/2005	Smith et al.
2005/0188888	A1	9/2005	Watkins et al.
2005/0279769	A1	12/2005	Cellini et al.
2007/0045346	A1	3/2007	Siteman
2007/0079538	A1	4/2007	Smith et al.
2007/0167241	A1	7/2007	Stethem et al.
2007/0238532	A1	10/2007	Stethem
2008/0010888	A1	1/2008	Nerheim
2008/0020850	A1	1/2008	Stethem
2008/0130193	A1	6/2008	Nerheim
2009/0064979	A1	3/2009	Andrews
2010/0214714	A1	8/2010	Stethem et al.
2010/0276514	A1	11/2010	Stethem
2010/0304874	A1	12/2010	Abatemarco
2012/0270664	A1	10/2012	Stethem
2014/0256453	A1	9/2014	Pelkey
2016/0069650	A1	3/2016	Flynn
2017/0363384	A1	12/2017	Stethem

FOREIGN PATENT DOCUMENTS

EP	378750	7/1990
GB	2196728	5/1988
NL	6816116	5/1970
WO	3075426	9/2003

Monadnock 36 Thermoplastic Grenade Grip Straight Baton, website: <http://www.copsplus.com/prodnum5507.php>, (5 pgs.), accessed Oct. 23, 2006.

Monadnock 24 Monpac Baton Night Stick, website: <http://www.copsplus.com/prodnum1607.php>, (5 pgs.), accessed Oct. 23, 2006.

Casco CP-24 24 Straight Polycarbonate Baton, website: <http://www.copsplus.com/prodnurn2566.php>, (5 pgs.), accessed Oct. 23, 2006.

Casco 18 to 26 "Straight Acetate Batons," website: <http://www.copsplus.com/prodnum2571.php>, (5 pgs.), accessed Oct. 23, 2006.

Monadnock Lifetime Products, Inc., "PR-24 Control Baton® Benefits," website: <http://www.batons.com/pr/ben.htm>, (2 pgs.), accessed Oct. 23, 2006.

Monadnock Lifetime Products, Inc., "PR-24 Control Baton® Functions," website: <http://www.batons.com/pr/fun.htm>, (1 pg.), accessed Oct. 23, 2006.

Monadnock Lifetime Products, Inc., "PR-24 Control Baton® Specifications," website: <http://www.batons.com/pr/spec.htm>, (2 pgs.), accessed Oct. 23, 2006.

Monadnock Lifetime Products, Inc., "PR-24 Control Baton®," website: <http://www.batons.com/pr/index.htm>, (2 pgs.), accessed Oct. 23, 2006.

Monadnock Model PR-24STS 24 Polycarbonate Control Baton, website: <http://www.copsplus.com/produm1593.php>, (5 pgs.), accessed Oct. 23, 2006.

* cited by examiner

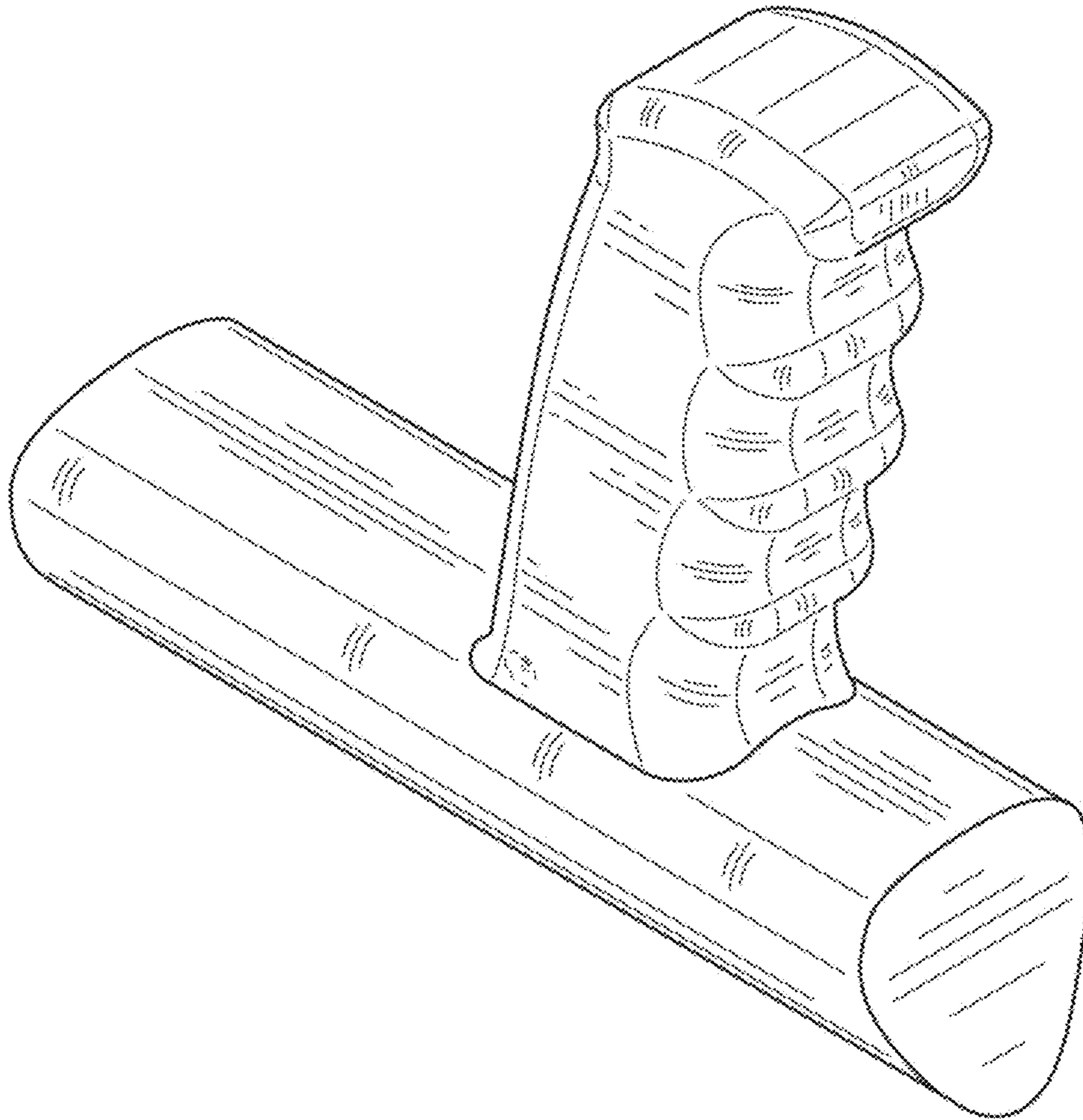


FIG. 1

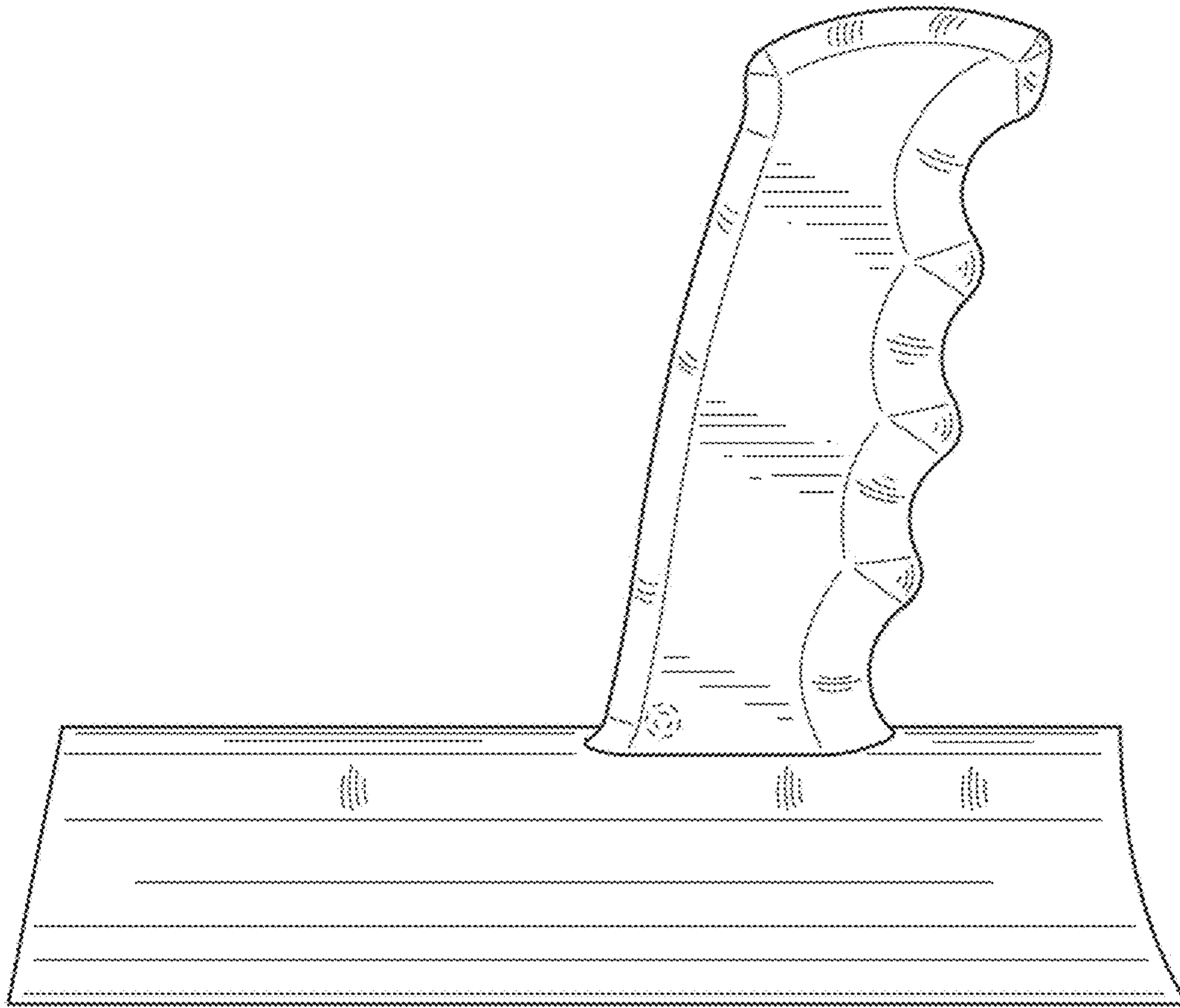


FIG.2

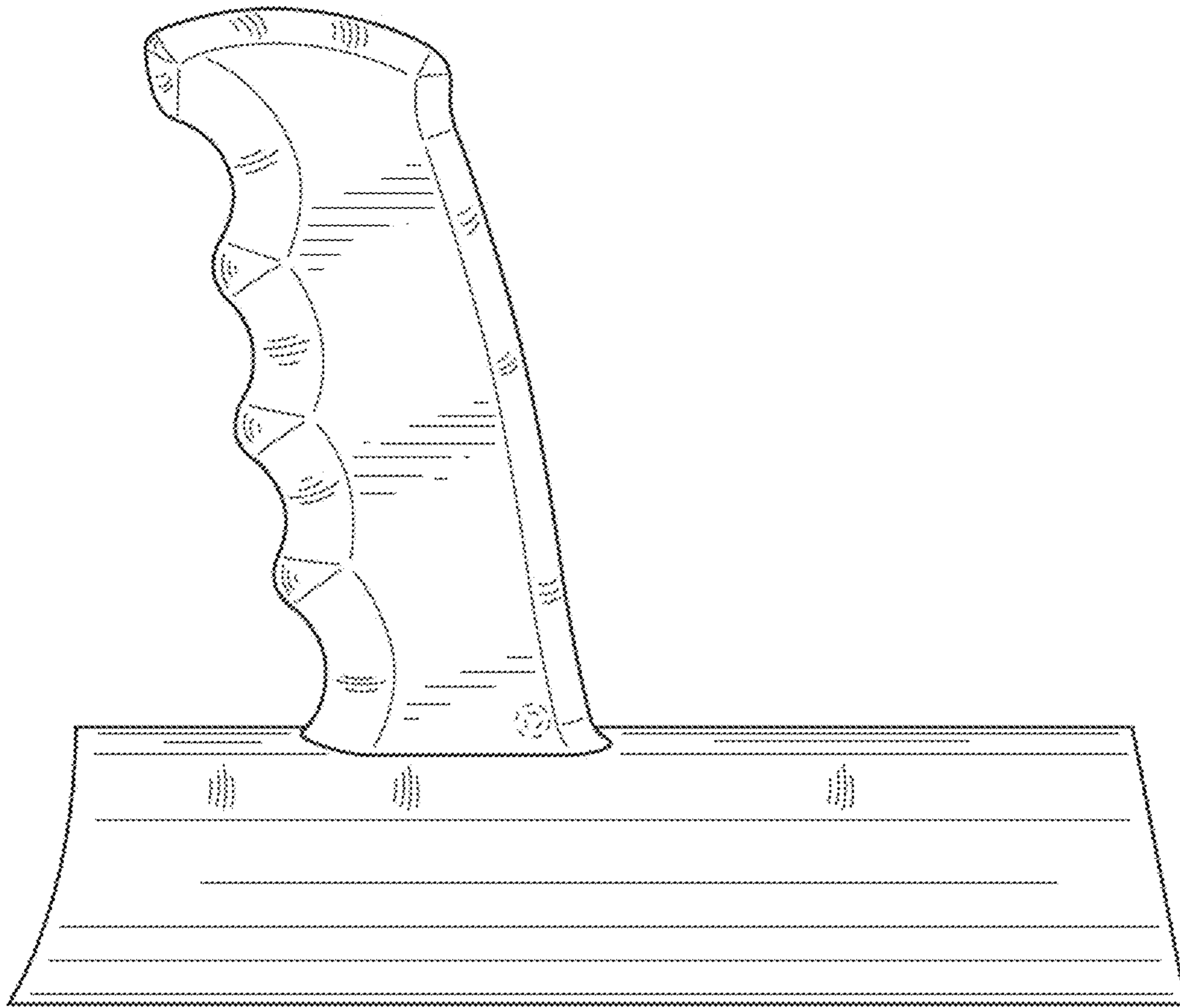


FIG.3

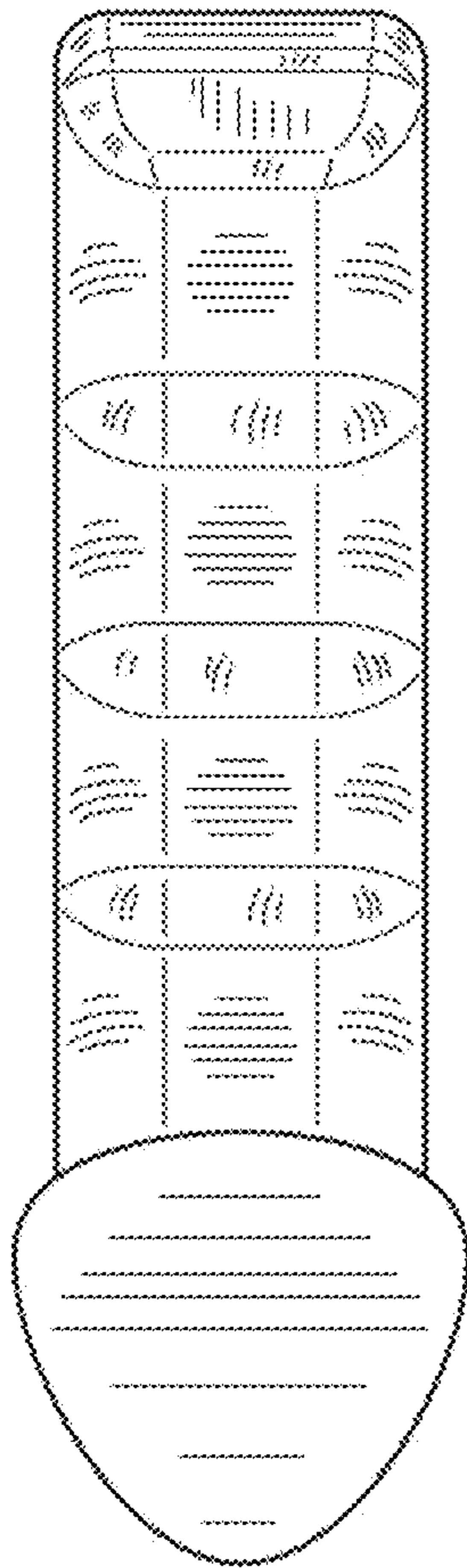


FIG. 4

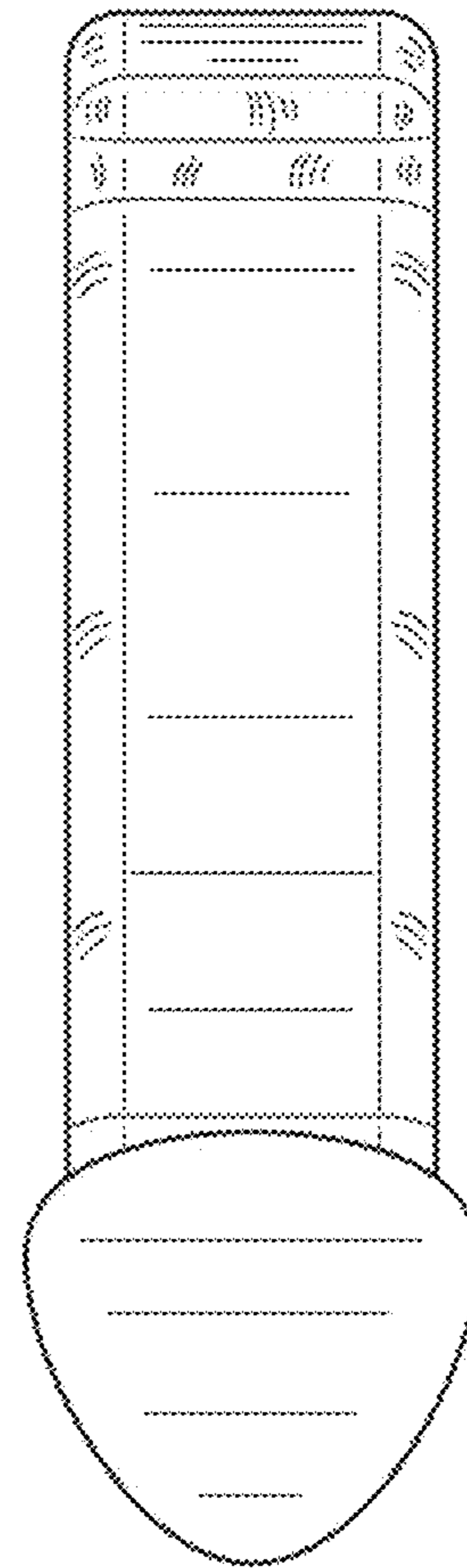


FIG. 5

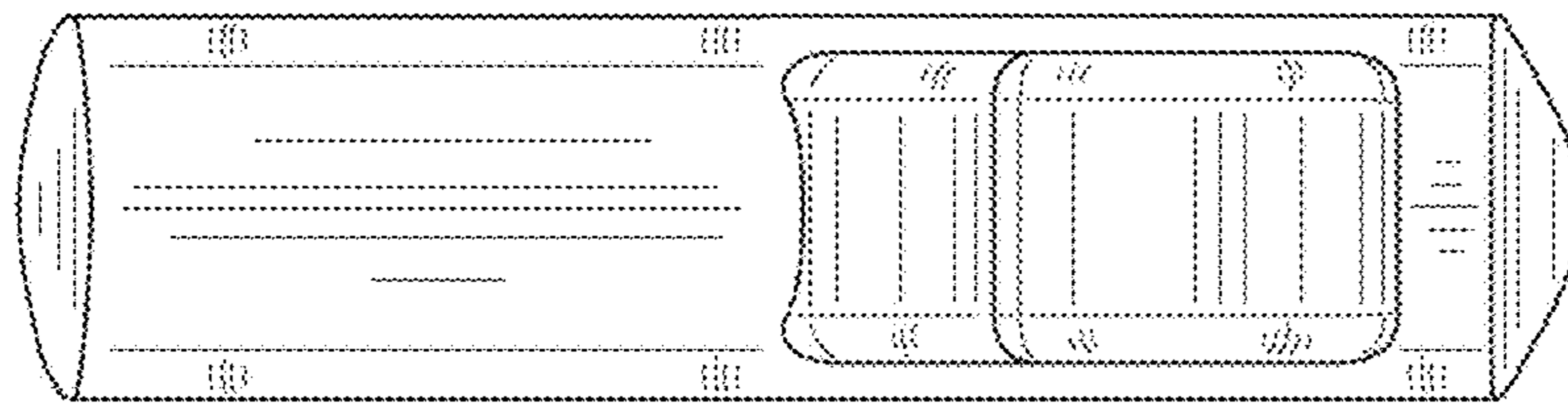


FIG. 6

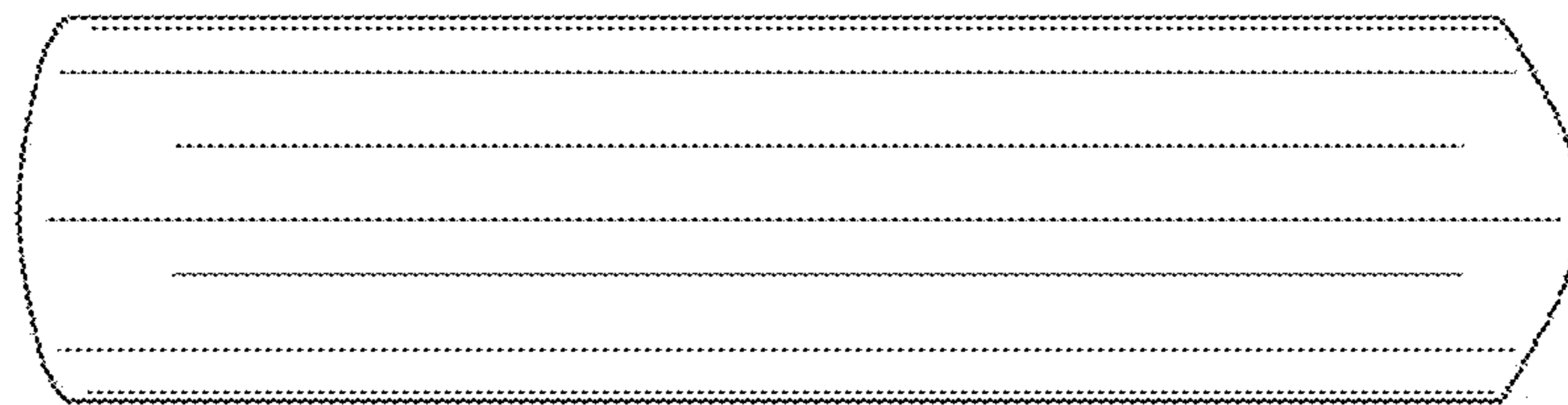


FIG. 7