



US00D815241S

(12) **United States Design Patent**
Woller

(10) **Patent No.:** **US D815,241 S**

(45) **Date of Patent:** **** Apr. 10, 2018**

- (54) **PIVOTING ARM FIREARM TARGET**
- (71) Applicant: **Ronald Ray Woller**, Decatur, AL (US)
- (72) Inventor: **Ronald Ray Woller**, Decatur, AL (US)

(**) Term: **15 Years**

(21) Appl. No.: **29/620,359**

(22) Filed: **Oct. 31, 2016**

(51) **LOC (11) Cl.** **22-04**

(52) **U.S. Cl.**
USPC **D22/113**

(58) **Field of Classification Search**
 USPC D22/113, 199; D8/349; D25/67;
 463/52-56; 273/331, 348, 407, 127 R,
 273/190; D20/41
 CPC F41J 1/10; F41J 5/14; F41J 1/00; F41J
 3/0004; F16M 13/02; F16M 11/08; B25H
 1/06; B25H 1/04; B25H 1/0021
 See application file for complete search history.

(56) **References Cited**

U.S. PATENT DOCUMENTS

2,284,510	A	5/1942	Cates	
2,372,111	A	3/1945	Norberg	
3,979,118	A	9/1976	Saunders	
4,077,624	A *	3/1978	Feaser	A63B 69/004 446/236
D252,600	S *	8/1979	Gibson	D6/681.3
D255,292	S *	6/1980	Gibson	D6/681.1
4,691,925	A	9/1987	Scholem	
4,726,593	A	2/1988	Wade	
5,441,267	A *	8/1995	Alder	G09F 17/00 116/173
5,503,356	A *	4/1996	Shelby	F41J 1/10 248/166
5,676,378	A	10/1997	West	
D420,537	S *	2/2000	Bustos	D6/711
D425,135	S *	5/2000	Quiring	D21/302

6,896,267	B1 *	5/2005	Le Anna	F41J 7/04 273/391
6,899,646	B2 *	5/2005	Conradi	A63B 69/002 473/422
7,086,997	B1 *	8/2006	Fields	A63B 69/004 482/83

(Continued)

OTHER PUBLICATIONS

Swingpistoltarget movie, YouTube.com, VikingSolutionsLLC, Published on Mar. 1, 2017, [online], [site visited Dec. 22, 2017]. <URL: <https://www.youtube.com/watch?v=b1cxZGKI0nU&feature=youtu.be>> (Year: 2017).*

(Continued)

Primary Examiner — T. Chase Nelson
Assistant Examiner — Jonathan J. Han

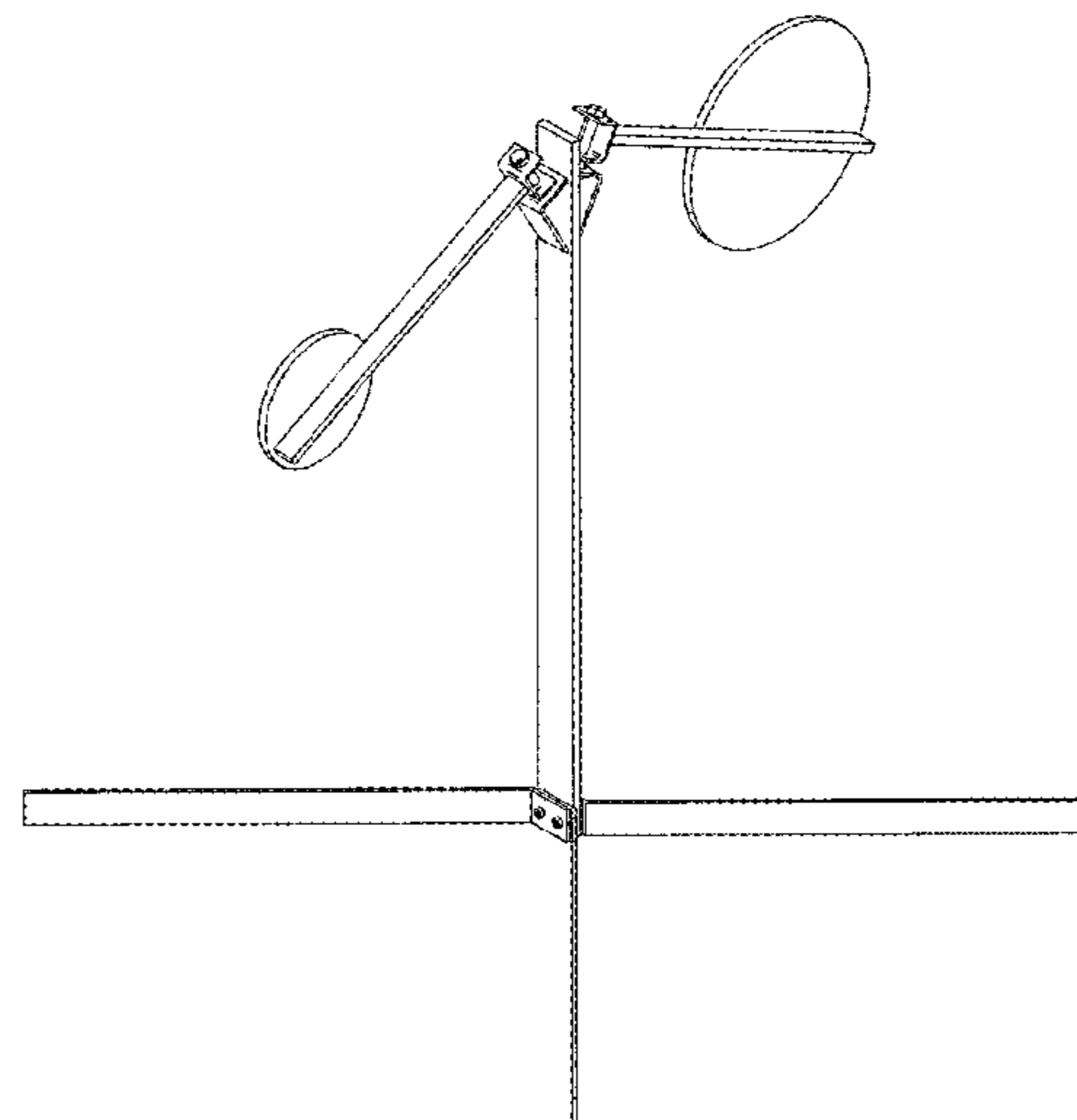
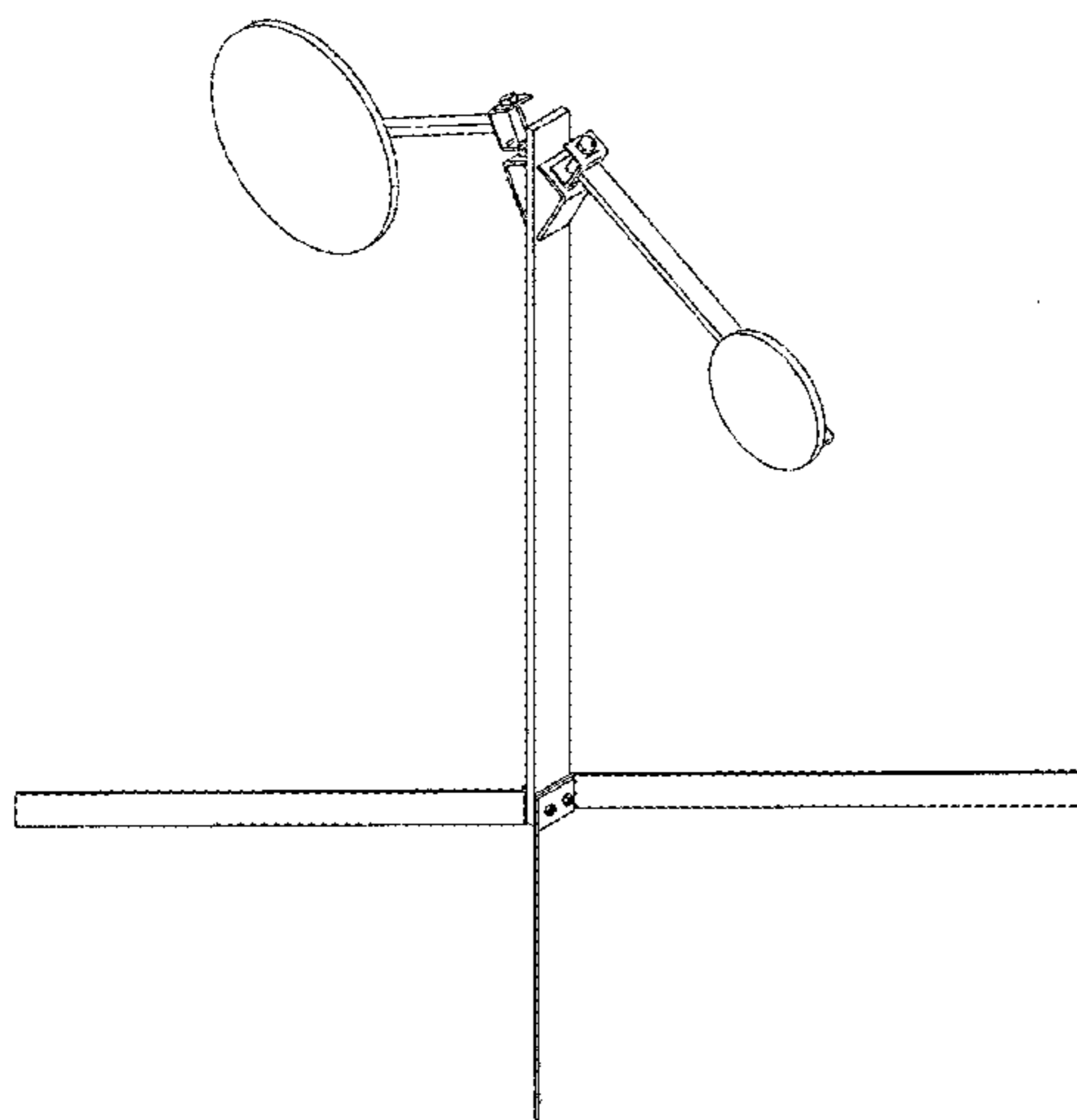
(57) **CLAIM**

The ornamental design for a pivoting arm firearm target, as shown and described.

DESCRIPTION

FIG. 1 is a Front isometric view of the pivoting arm firearm target;
 FIG. 2 is a Back isometric view of the pivoting arm firearm target thereof;
 FIG. 3 is a Front elevation view of the pivoting arm firearm target thereof;
 FIG. 4 is a Back elevation view of the pivoting arm firearm target thereof;
 FIG. 5 is a Top plan view of the pivoting arm firearm target thereof;
 FIG. 6 is a Bottom plan view of the pivoting arm firearm target thereof;
 FIG. 7 is a Right elevation view of the pivoting arm firearm target thereof; and,
 FIG. 8 is a Left elevation view of the pivoting arm firearm target thereof.

1 Claim, 5 Drawing Sheets



(56)

References Cited

U.S. PATENT DOCUMENTS

7,114,725 B2 10/2006 Camp
 7,422,216 B1 9/2008 Underhill
 D643,230 S * 8/2011 Hepeng D6/708.25
 8,162,320 B2 4/2012 Medina
 D672,169 S * 12/2012 Linder D6/708.16
 8,490,978 B2 * 7/2013 Rogers F41J 7/04
 273/392
 D689,164 S * 9/2013 Burress D22/113
 8,622,394 B2 1/2014 Larue
 D708,697 S * 7/2014 Achten D22/199
 8,807,570 B1 * 8/2014 Zalar F41J 7/04
 273/390
 8,844,934 B2 9/2014 Dean
 9,163,912 B1 * 10/2015 Stark F41J 1/10
 D787,009 S * 5/2017 Carpenter D22/113
 9,829,285 B1 * 11/2017 Kimblad F41J 1/10
 2006/0125185 A1 * 6/2006 Rolfe F41J 7/04
 273/390
 2006/0220318 A1 * 10/2006 Law F41J 1/10
 273/407
 2007/0024006 A1 * 2/2007 Marshall F41J 1/10
 273/359
 2007/0235943 A1 * 10/2007 Bateman F41J 1/10
 273/403
 2008/0174071 A1 * 7/2008 Potterfield F41J 1/10
 273/392
 2008/0265511 A1 * 10/2008 Shum F41J 7/06
 273/392
 2009/0174147 A1 * 7/2009 Saunders F41J 3/0004
 273/392
 2009/0256314 A1 * 10/2009 Kobett F41J 1/10
 273/407

2010/0032905 A1 * 2/2010 Morrow F41J 1/10
 273/366
 2010/0225063 A1 * 9/2010 Wyrick F41J 1/10
 273/390
 2011/0024985 A1 * 2/2011 Potterfield F41J 1/01
 273/348
 2011/0227288 A1 * 9/2011 Krickovic A63F 9/0204
 273/348
 2013/0106059 A1 * 5/2013 Larue F41J 1/10
 273/407
 2013/0328268 A1 * 12/2013 Eggiman F41J 5/205
 273/378
 2015/0069709 A1 * 3/2015 Doria F41J 1/10
 273/407
 2015/0330748 A1 * 11/2015 Anzalone F41J 1/10
 273/390

OTHER PUBLICATIONS

Viking Pistol Target, VikingSl.com, [online], [site visited Dec. 22, 2017]. <URL: <http://vikingsl.com/portfolio/viking-pistol-target/>> (Year: 2017).*

Challenge Targets 10" Steel Handgun and Rifle Target, SportsmansGuide.com, [online], [site visited Dec. 22, 2017]. <URL: <https://www.sportsmansguide.com/product/index/challenge-targets-10-steel-handgun-and-rifle-target?a=1733619>> (Year: 2017).*

Challenge Targets Handgun Quick Draw Target Steel with Static Stand, MidwayUSA.com, [online], [site visited Dec. 22, 2017]. <URL: <https://www.midwayusa.com/product/1017293381/challenge-targets-handgun-quick-draw-target-steel-with-static-stand>> (Year: 2017).*

* cited by examiner

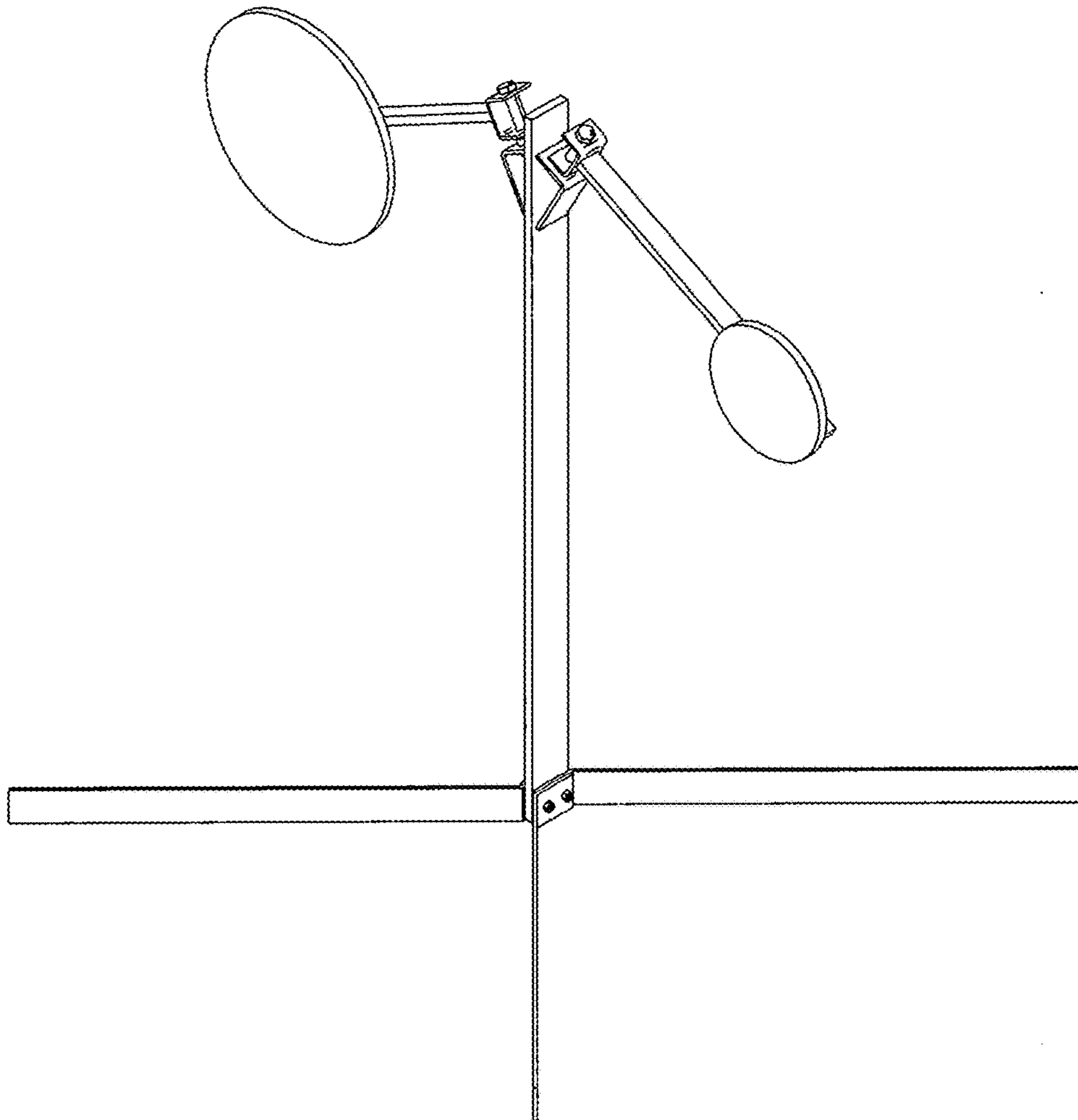


FIG. 1

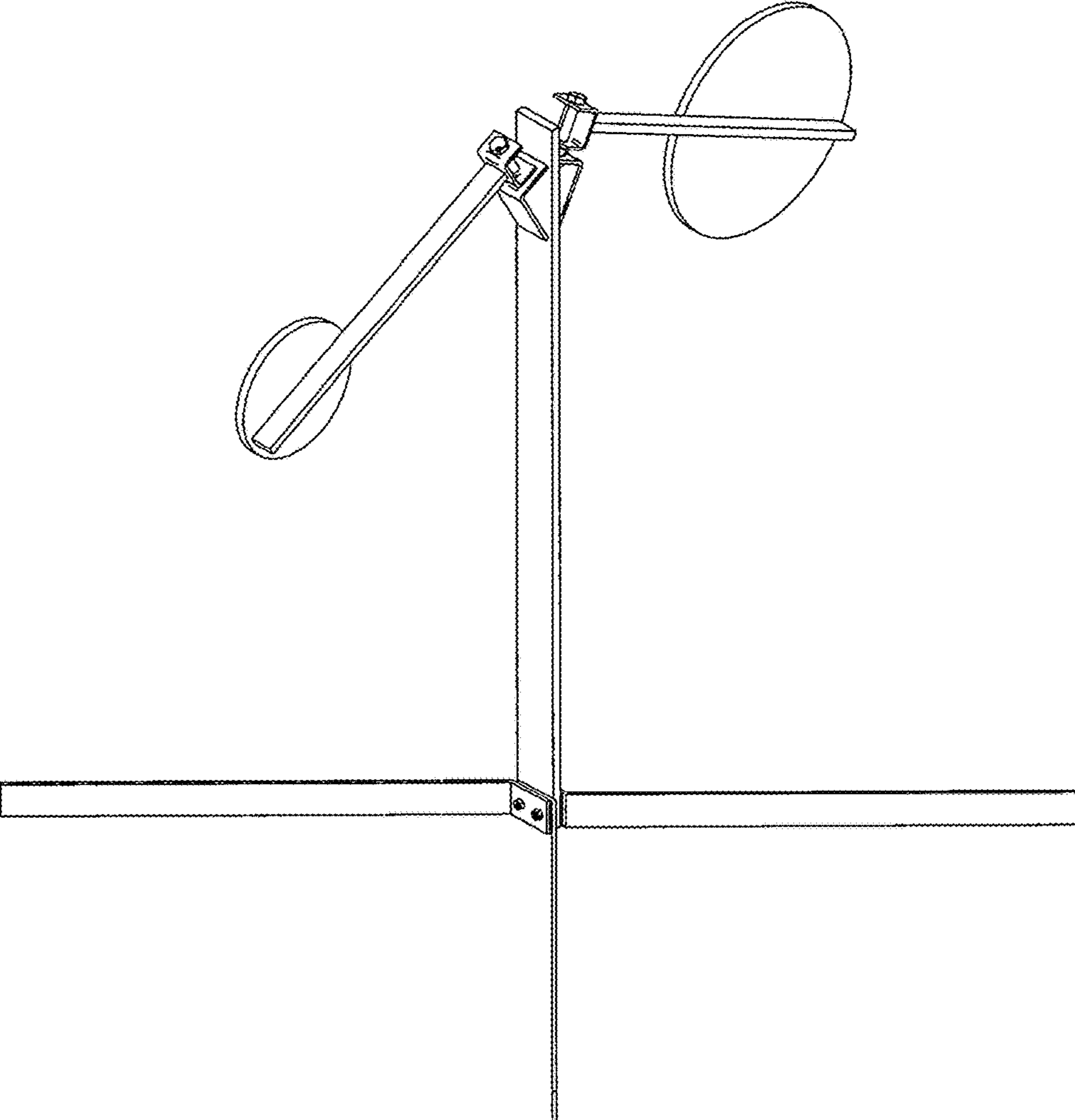


FIG. 2

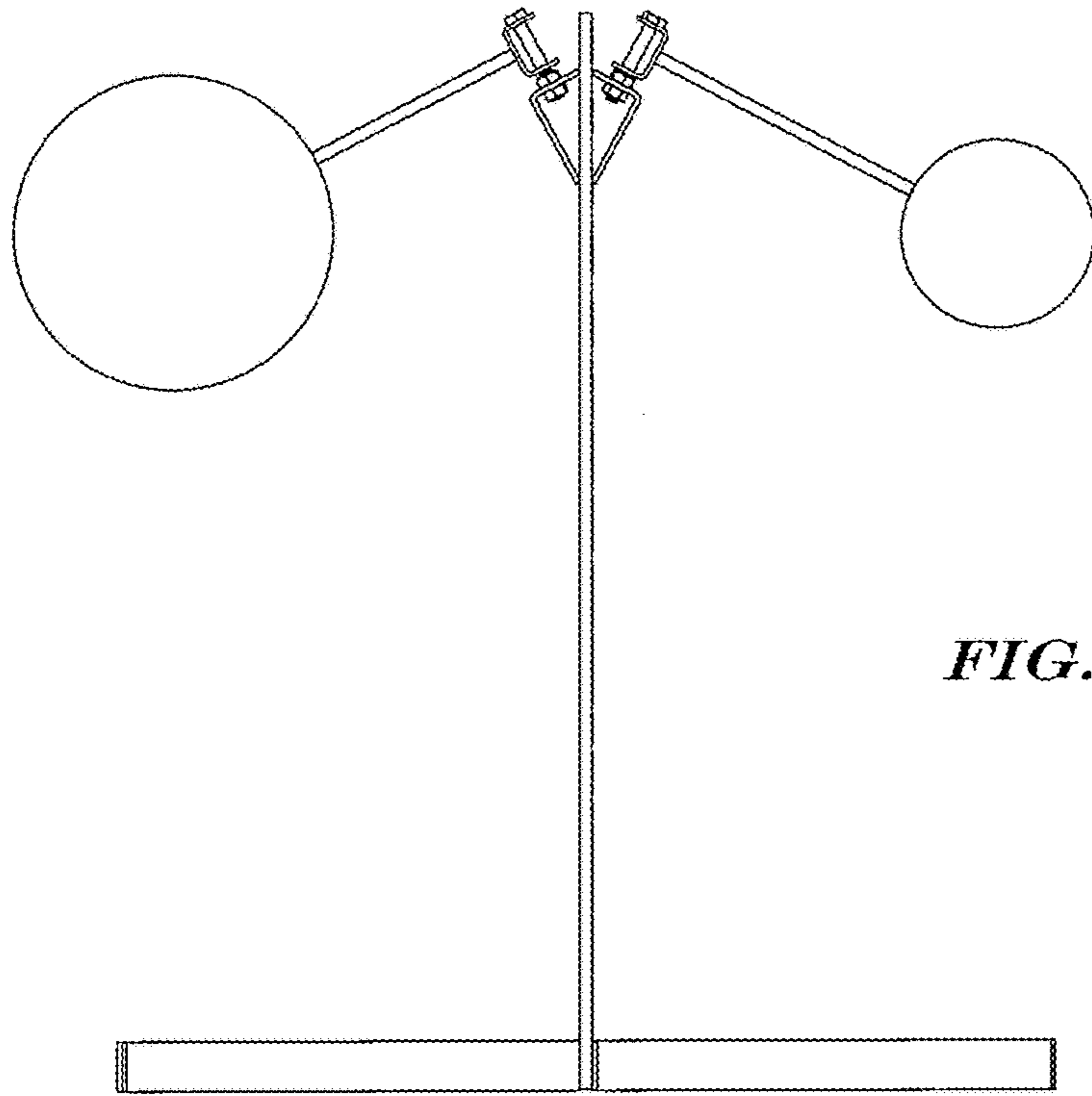


FIG. 3

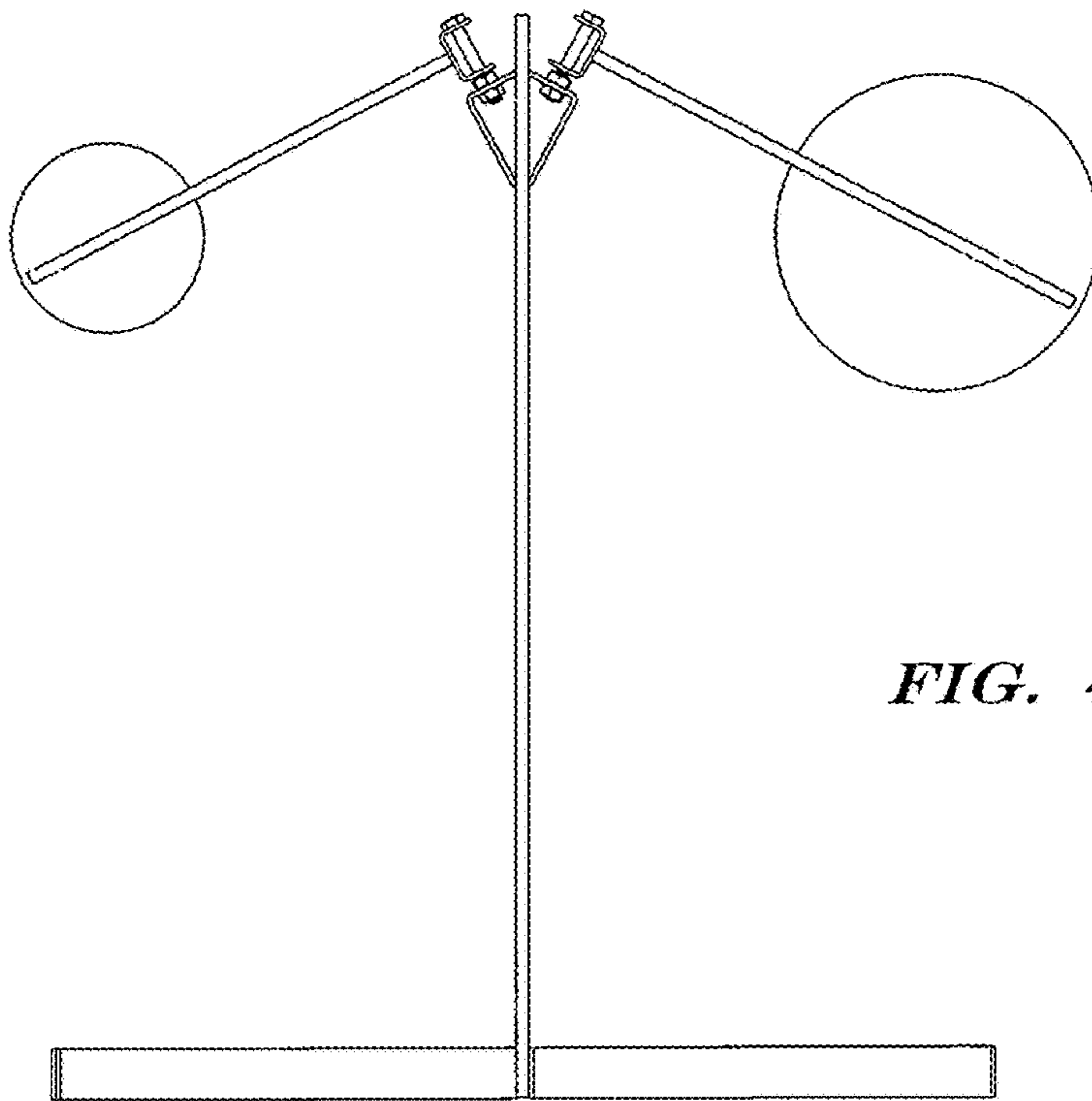


FIG. 4

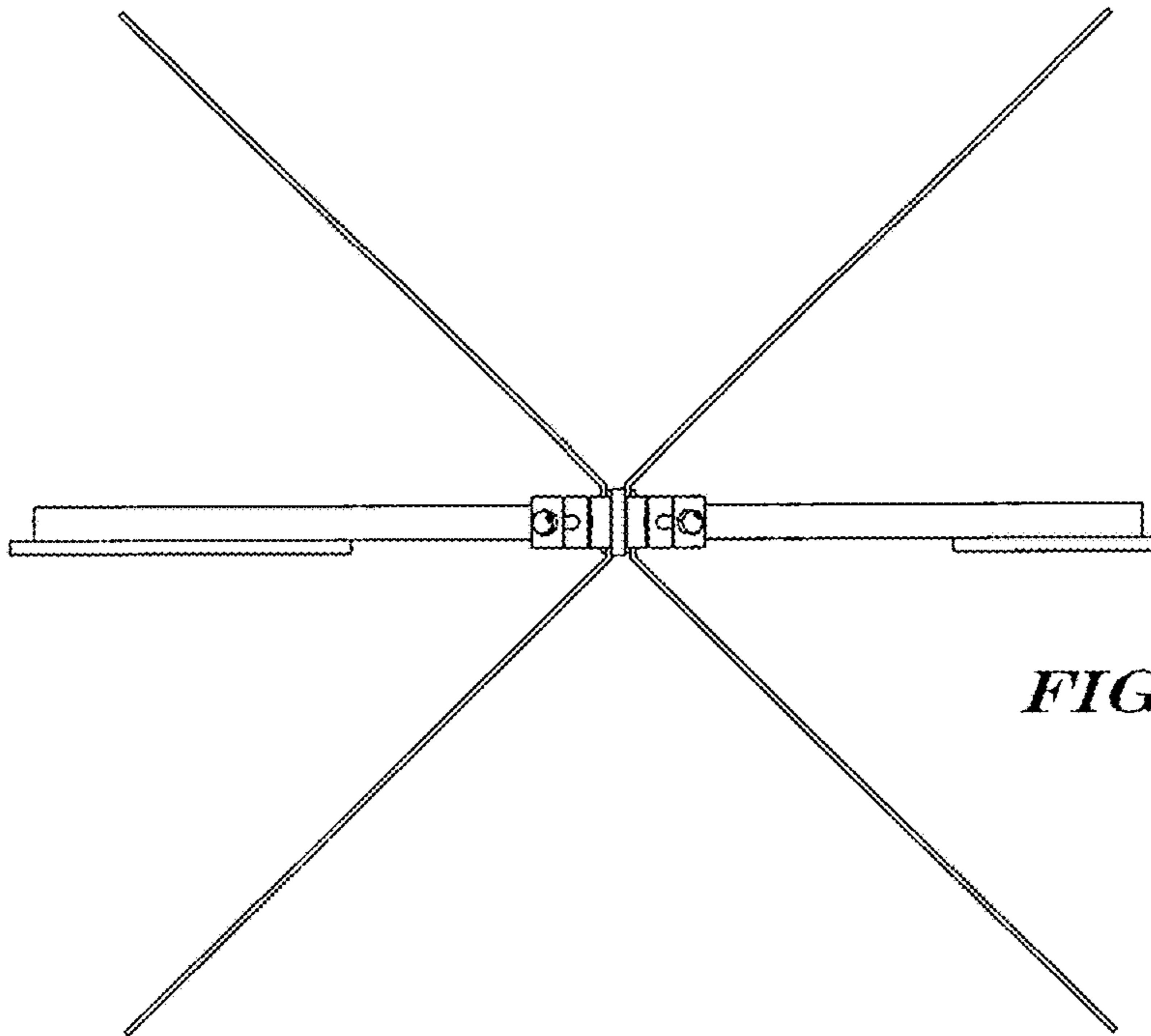


FIG. 5

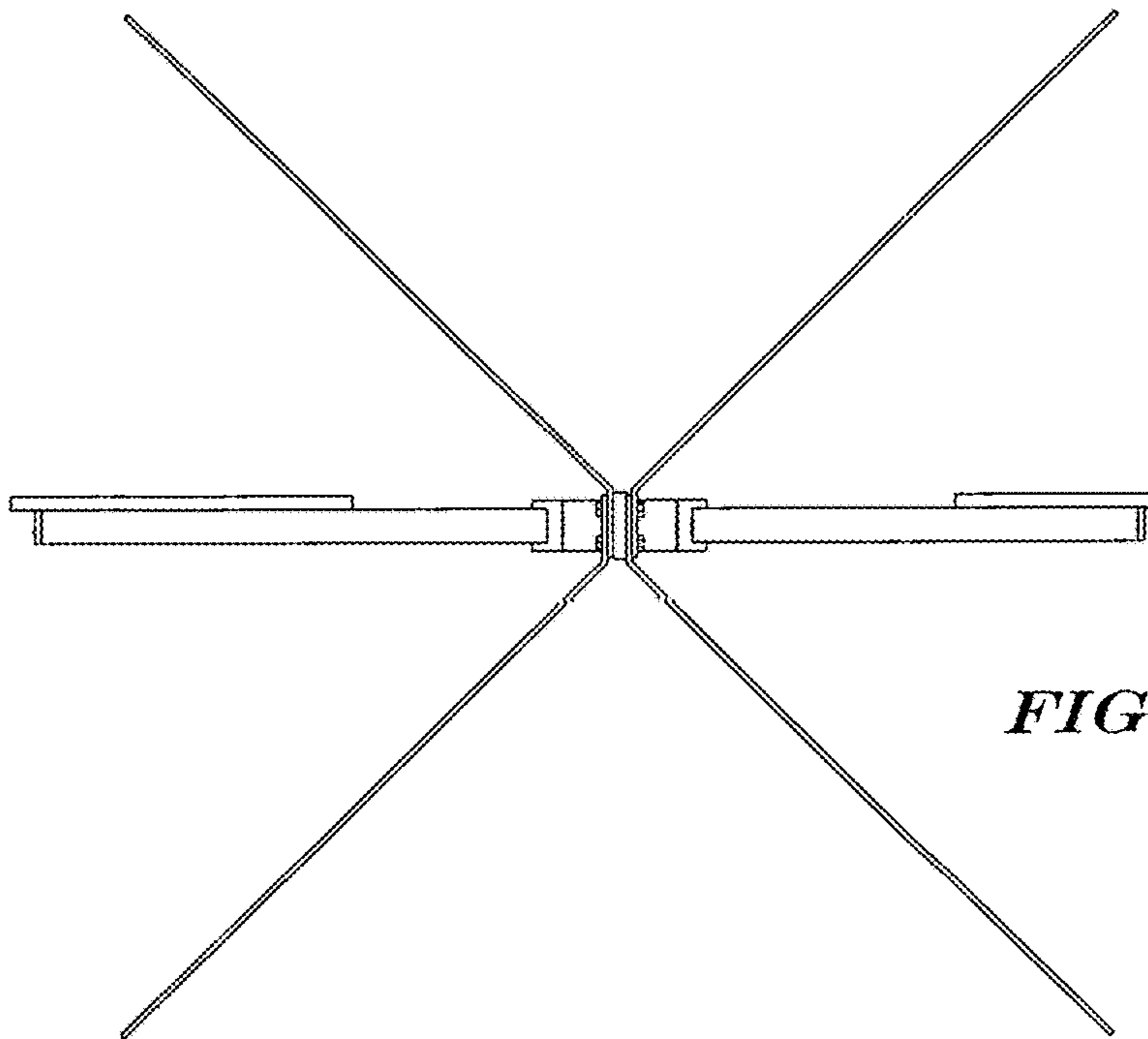


FIG. 6

