



US00D815239S

(12) **United States Design Patent**
Cheng et al.

(10) **Patent No.:** **US D815,239 S**
(45) **Date of Patent:** **** Apr. 10, 2018**

(54) **FIREARM AIMING AND ILLUMINATING DEVICE**

(71) Applicants: **Carson Cheng**, City of Industry, CA (US); **Jason Michael Cheng**, City of Industry, CA (US); **Richard Thomas**, City of Industry, CA (US)

(72) Inventors: **Carson Cheng**, City of Industry, CA (US); **Jason Michael Cheng**, City of Industry, CA (US); **Richard Thomas**, City of Industry, CA (US)

(73) Assignee: **NcSTAR, Inc.**, City of Industry, CA (US)

(**) Term: **15 Years**

(21) Appl. No.: **29/553,710**

(22) Filed: **Feb. 3, 2016**

(51) **LOC (11) Cl.** **22-01**

(52) **U.S. Cl.**
USPC **D22/109**

(58) **Field of Classification Search**
USPC D22/108, 109, 199; D26/37, 46, 47, 48, D26/49
CPC . F41G 11/003; F41G 1/00; F41G 1/16; F41G 1/345
See application file for complete search history.

(56) **References Cited**

U.S. PATENT DOCUMENTS

D586,874 S *	2/2009	Moody	D22/109
D615,141 S *	5/2010	Leighton	D22/108
D672,005 S *	12/2012	Hedeen	D22/109
D696,377 S *	12/2013	Thummel	D22/109
D712,001 S *	8/2014	Wells	D22/108
D729,339 S *	5/2015	Chavez	D22/109
D738,455 S *	9/2015	Homem de Mello Anderson	D22/109

D741,446 S *	10/2015	Cheng	D22/109
D747,432 S *	1/2016	Cheng	D22/109
D749,689 S *	2/2016	Cheng	D22/109
D757,147 S *	5/2016	Edwards	D16/208
D757,886 S *	5/2016	Cheng	D22/109
D762,806 S *	8/2016	Chavez	D22/109
RE46,226 E *	12/2016	Gambino	D22/109
D781,983 S *	3/2017	Wells	D22/108
2011/0041378 A1 *	2/2011	Rozitis	F41G 11/003 42/125

* cited by examiner

Primary Examiner — Karen S Acker

Assistant Examiner — Steven B Reinholdt, Jr.

(74) *Attorney, Agent, or Firm* — Raymond Y. Chan;
David and Raymond Patent Firm

(57) **CLAIM**

The ornamental design for a firearm aiming and illuminating device, as shown and described.

DESCRIPTION

FIG. 1 is a perspective view of a firearm aiming and illuminating device showing our new design.

FIG. 2 is a left view of the firearm aiming and illuminating device.

FIG. 3 is a right view of the firearm aiming and illuminating device.

FIG. 4 is a front view of the firearm aiming and illuminating device.

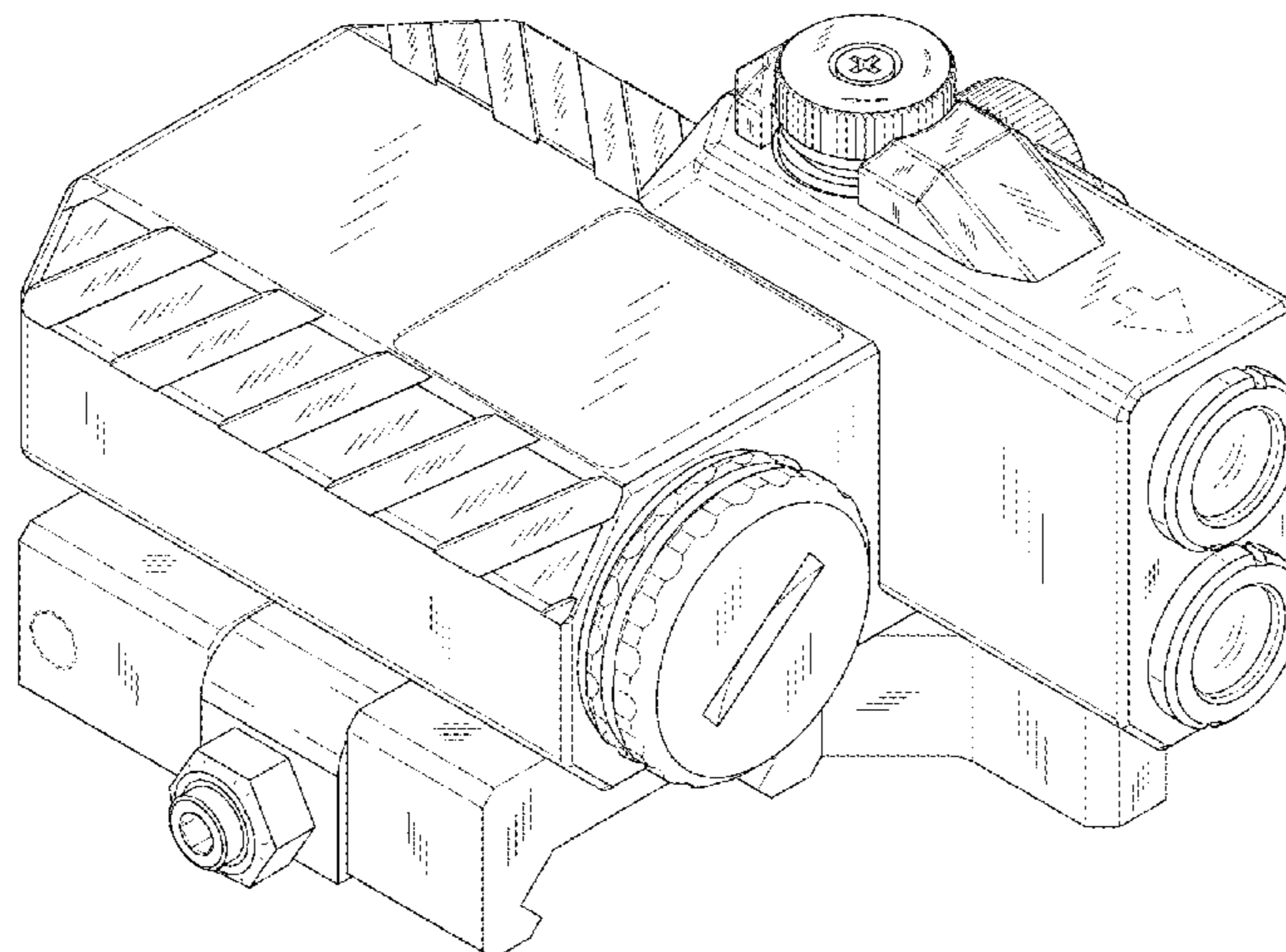
FIG. 5 is a rear view of the firearm aiming and illuminating device.

FIG. 6 is a top view of the firearm aiming and illuminating device; and,

FIG. 7 is a bottom view of the firearm aiming and illuminating device.

The broken line portion of the figure drawings is included to show unclaimed subject matter only and forms no part of the claimed design.

1 Claim, 7 Drawing Sheets



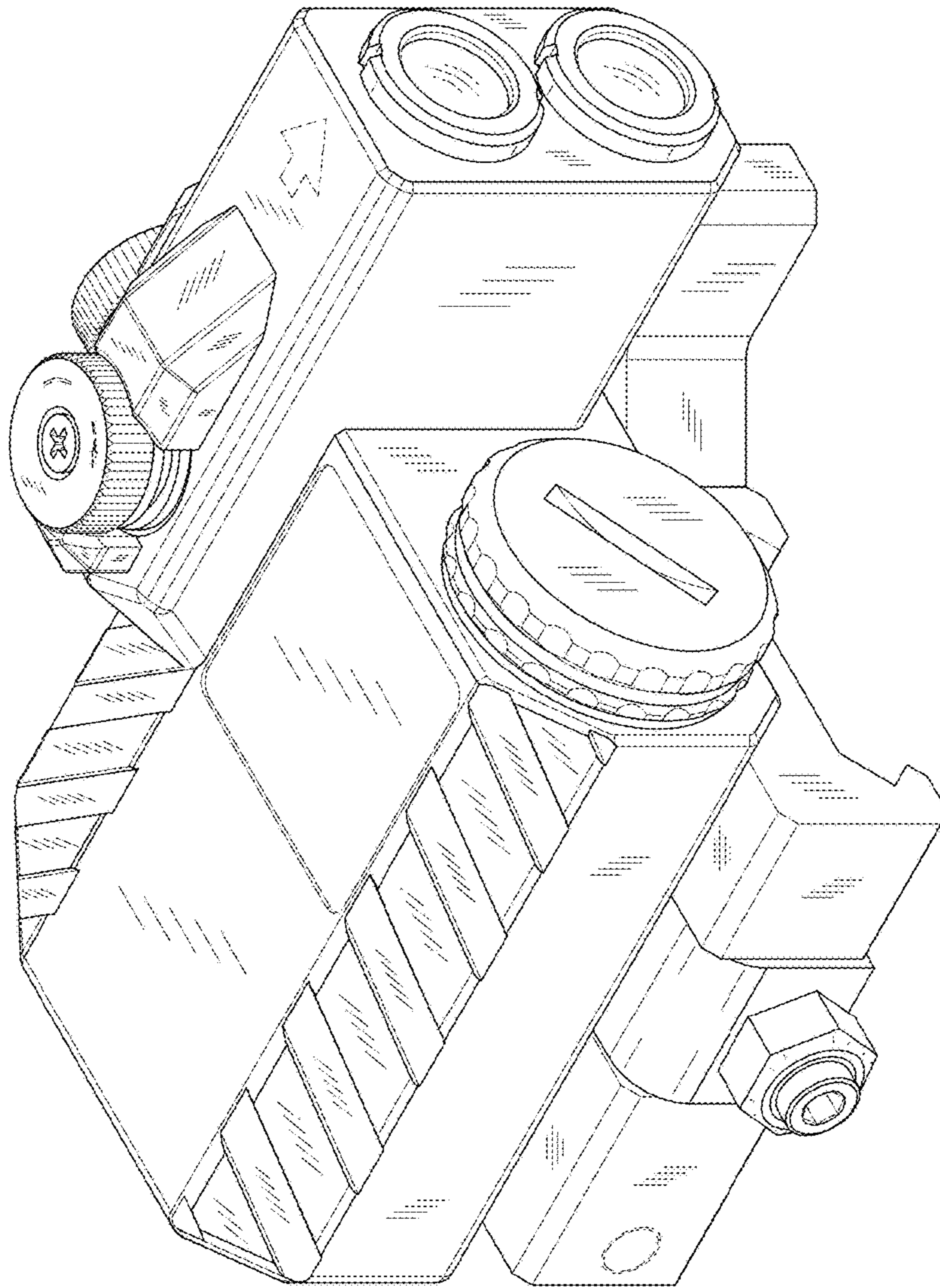


FIG.1

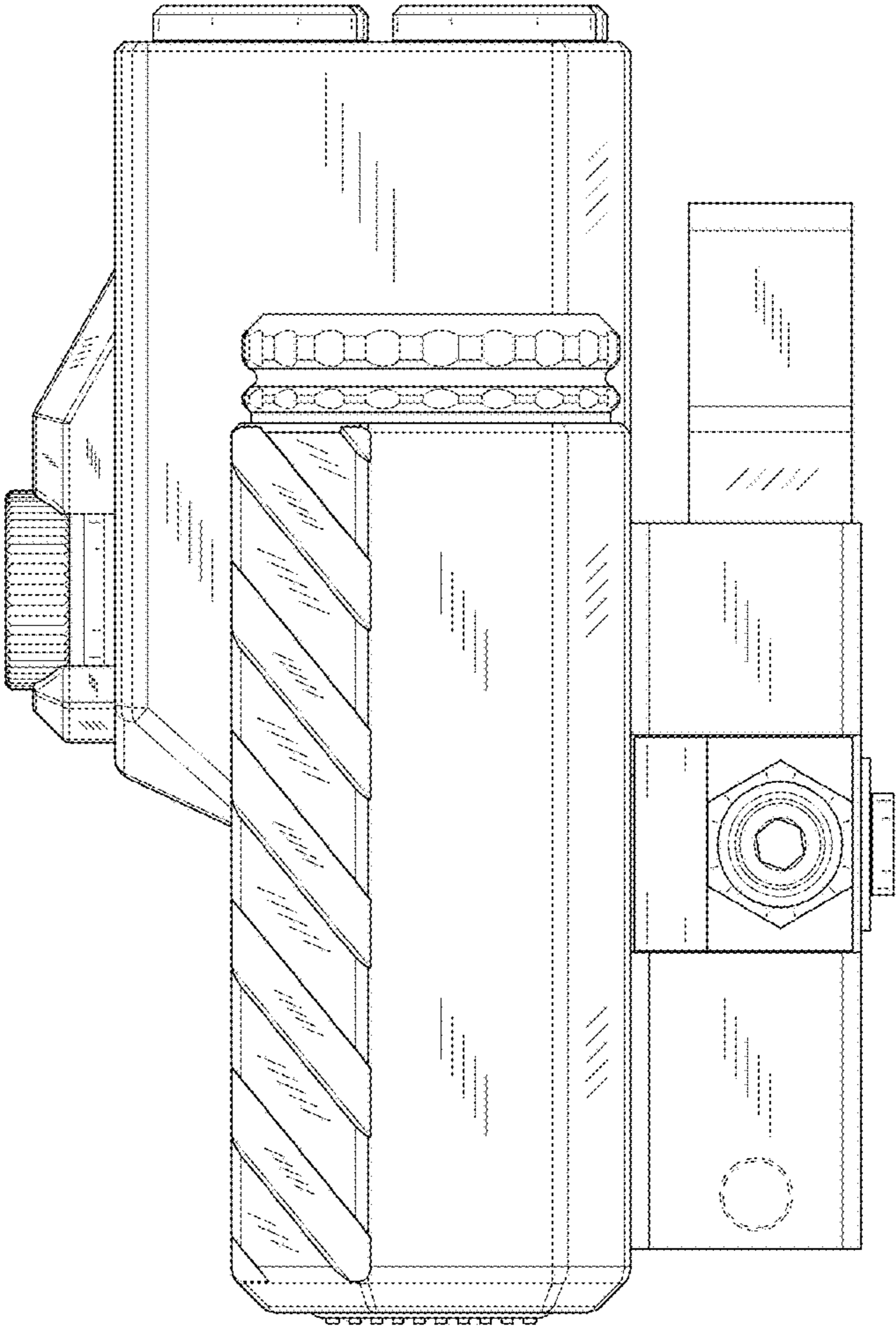


FIG. 2

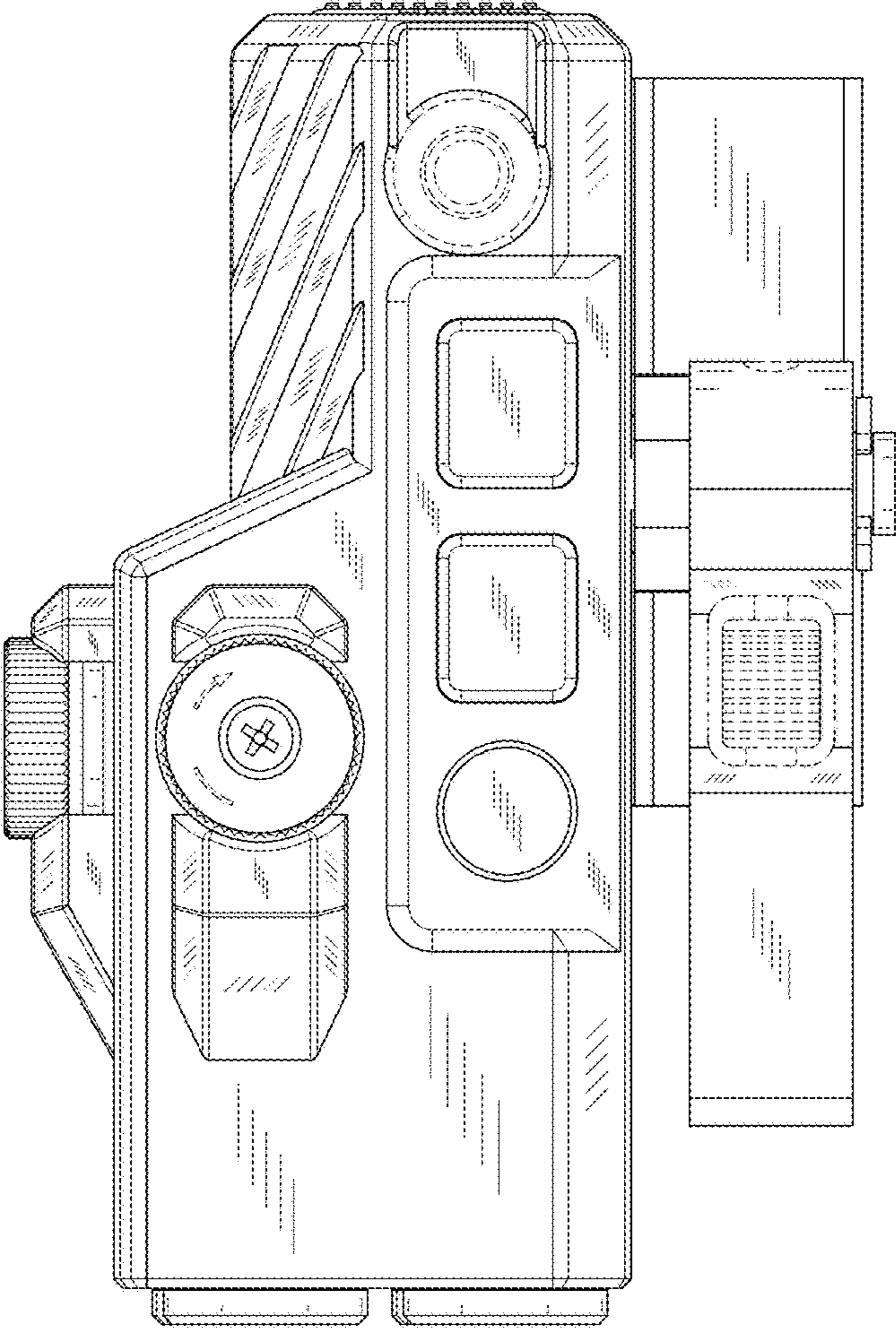


FIG.3

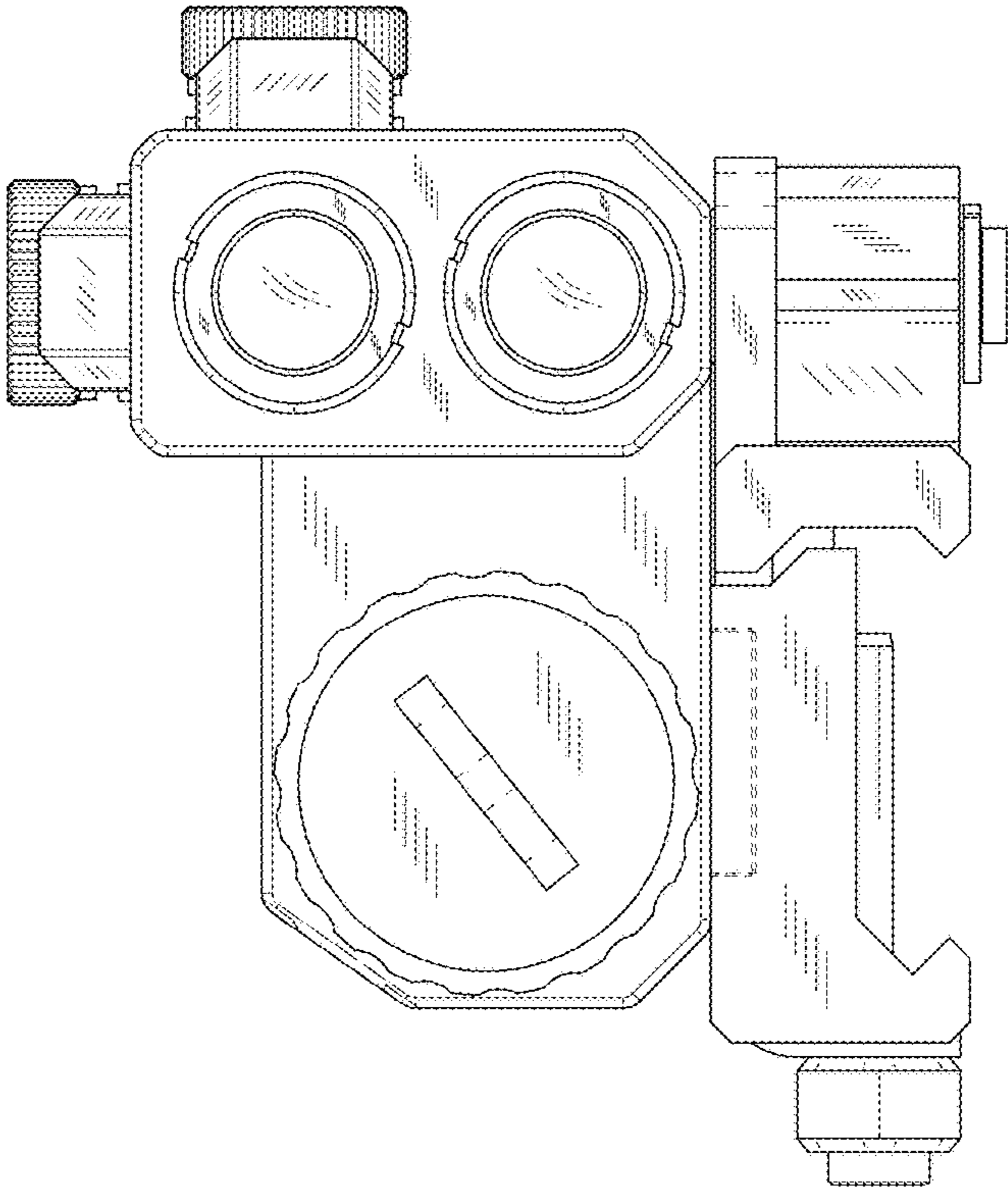


FIG.4

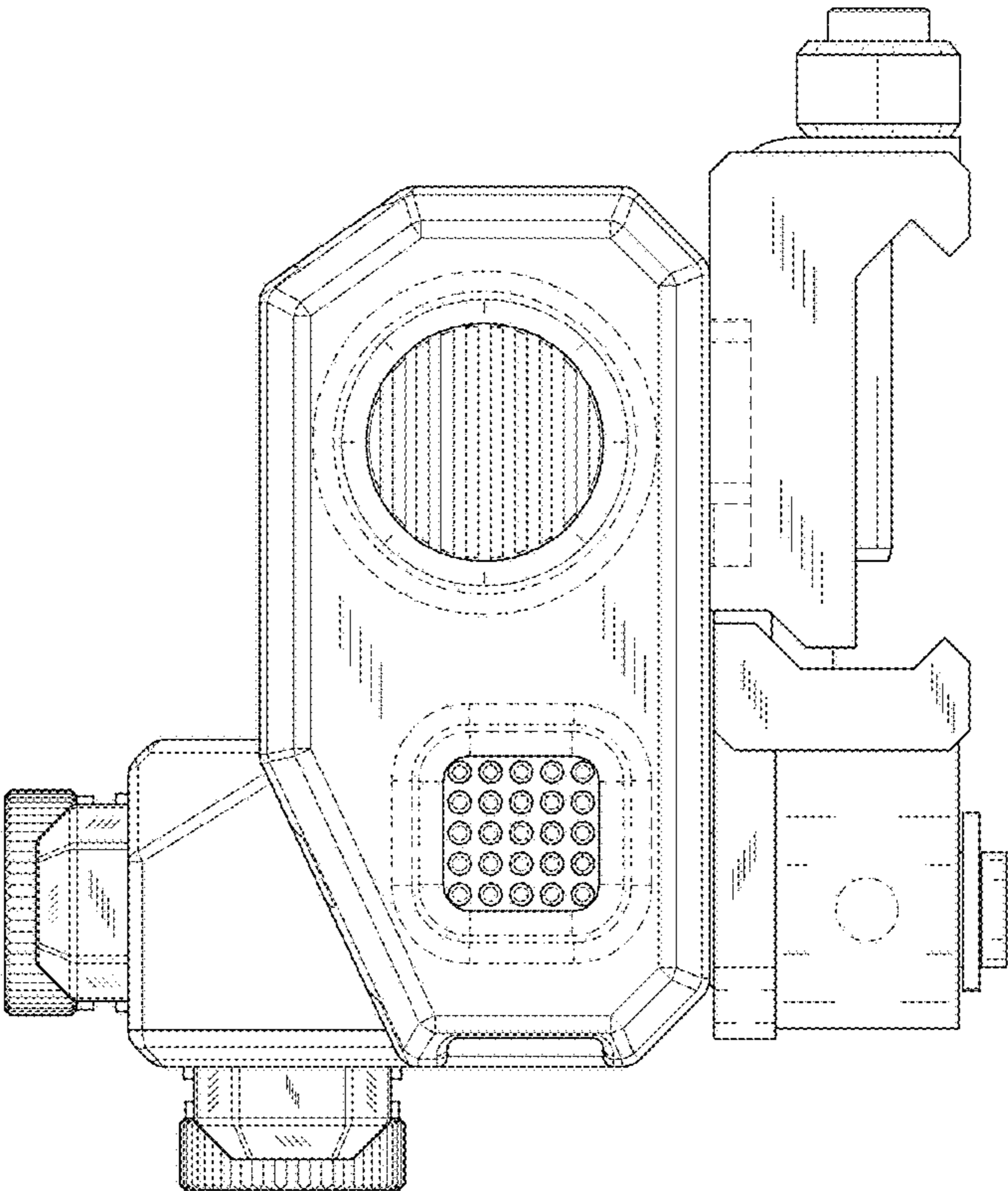


FIG.5

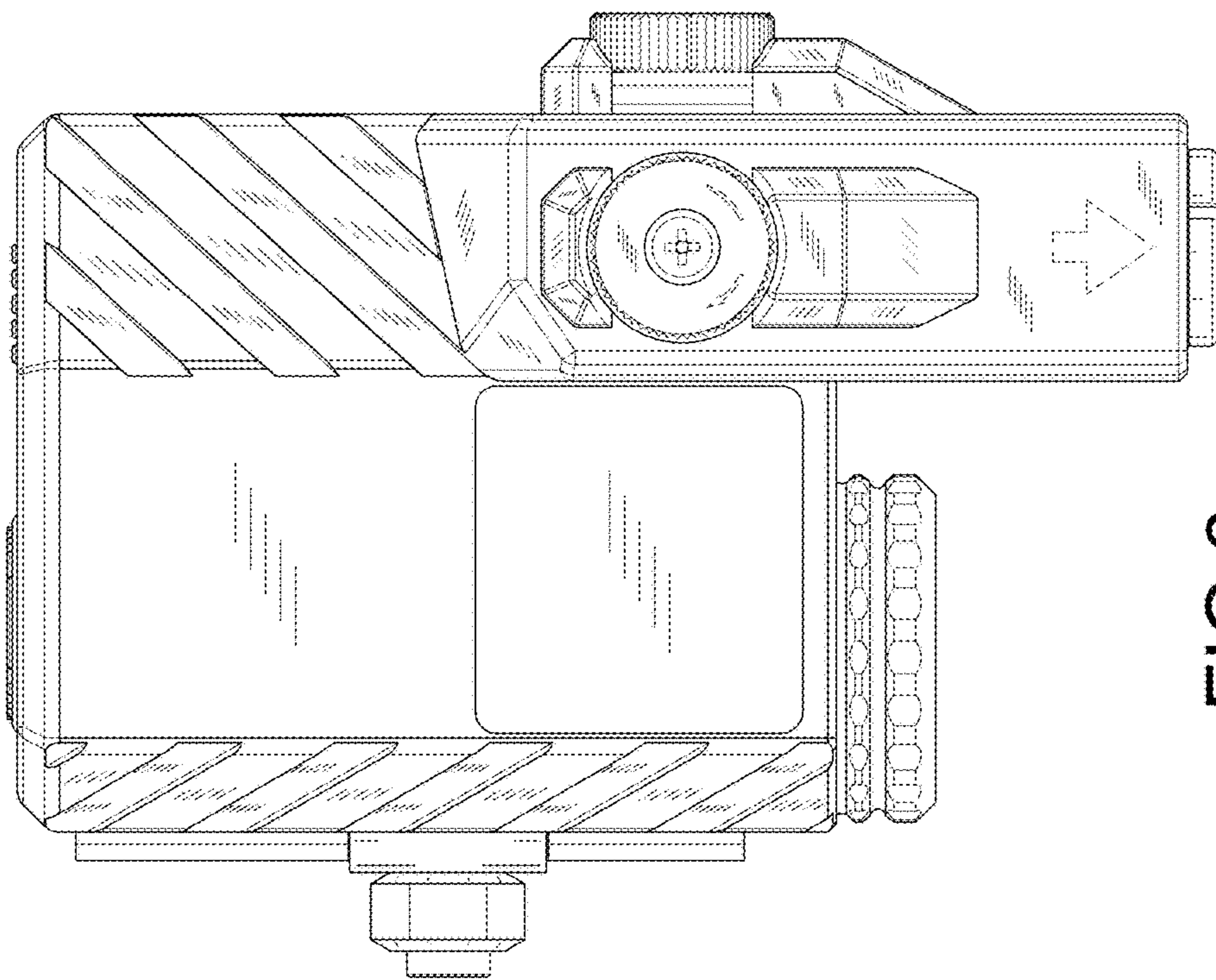


FIG.6

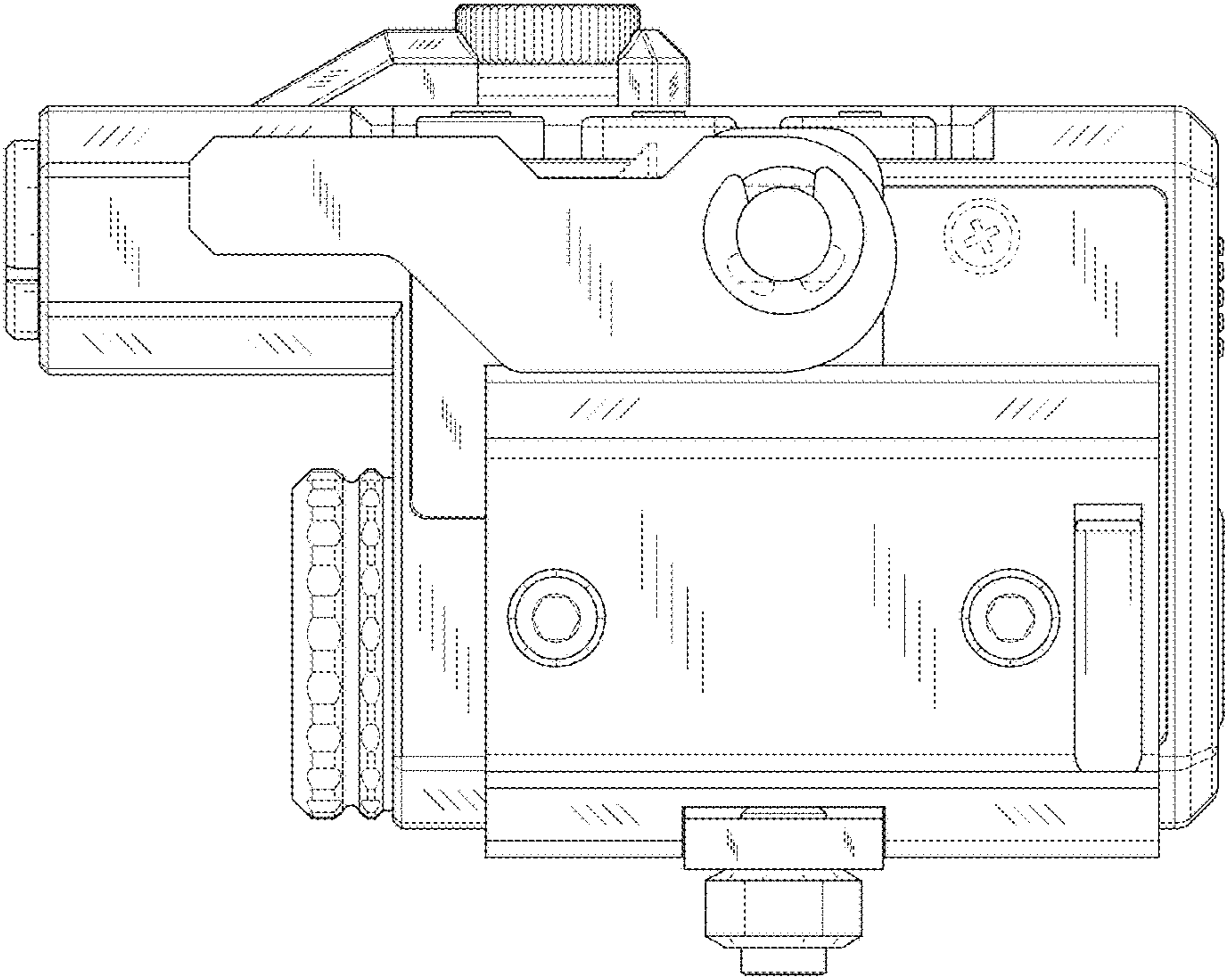


FIG.7