



US00D815236S

(12) **United States Design Patent**  
**Delgado Acarreta et al.**

(10) **Patent No.:** **US D815,236 S**  
(45) **Date of Patent:** **\*\* Apr. 10, 2018**

(54) **ACCESSORY FOR RIFLES**

(71) Applicant: **Rade Tecnologias, S.L.**, Saragossa (ES)

(72) Inventors: **Raul Delgado Acarreta**, Saragossa (ES); **Diego Lorente Algora**, Saragossa (ES); **Oscar Jimenez Navascues**, Saragossa (ES)

(73) Assignee: **Rade Tecnologias, S.L.** (ES)

(\*\*) Term: **15 Years**

(21) Appl. No.: **29/571,240**

(22) Filed: **Jul. 15, 2016**

(30) **Foreign Application Priority Data**

Jan. 15, 2016 (EM) ..... 002945899-0001

(51) **LOC (11) Cl.** ..... **22-01**

(52) **U.S. Cl.**  
USPC ..... **D22/108**

(58) **Field of Classification Search**  
USPC ..... D22/103, 108; D21/572-575  
CPC ..... F41C 23/00; F41C 27/00; F41C 27/06;  
F41C 23/10; F41C 23/14; F41C 23/16;  
F41C 23/18; F41A 5/18; F41A 5/24;  
F41A 21/28

See application file for complete search history.

(56) **References Cited**

U.S. PATENT DOCUMENTS

3,807,075 A \* 4/1974 Mylonas ..... F41A 9/60  
42/98  
D755,327 S \* 5/2016 Siddle ..... D22/108  
D787,626 S \* 5/2017 Johnson ..... D22/108  
2016/0187089 A1 6/2016 Wengender

\* cited by examiner

*Primary Examiner* — Michael A Pratt

(74) *Attorney, Agent, or Firm* — Hayes Soloway PC

(57) **CLAIM**

We claim the ornamental design for accessory for rifles, as shown and described.

**DESCRIPTION**

FIG. 1 is a right view of accessory for rifles showing my new design;

FIG. 2 is a left view thereof;

FIG. 3 is a front view thereof;

FIG. 4 is a top view thereof;

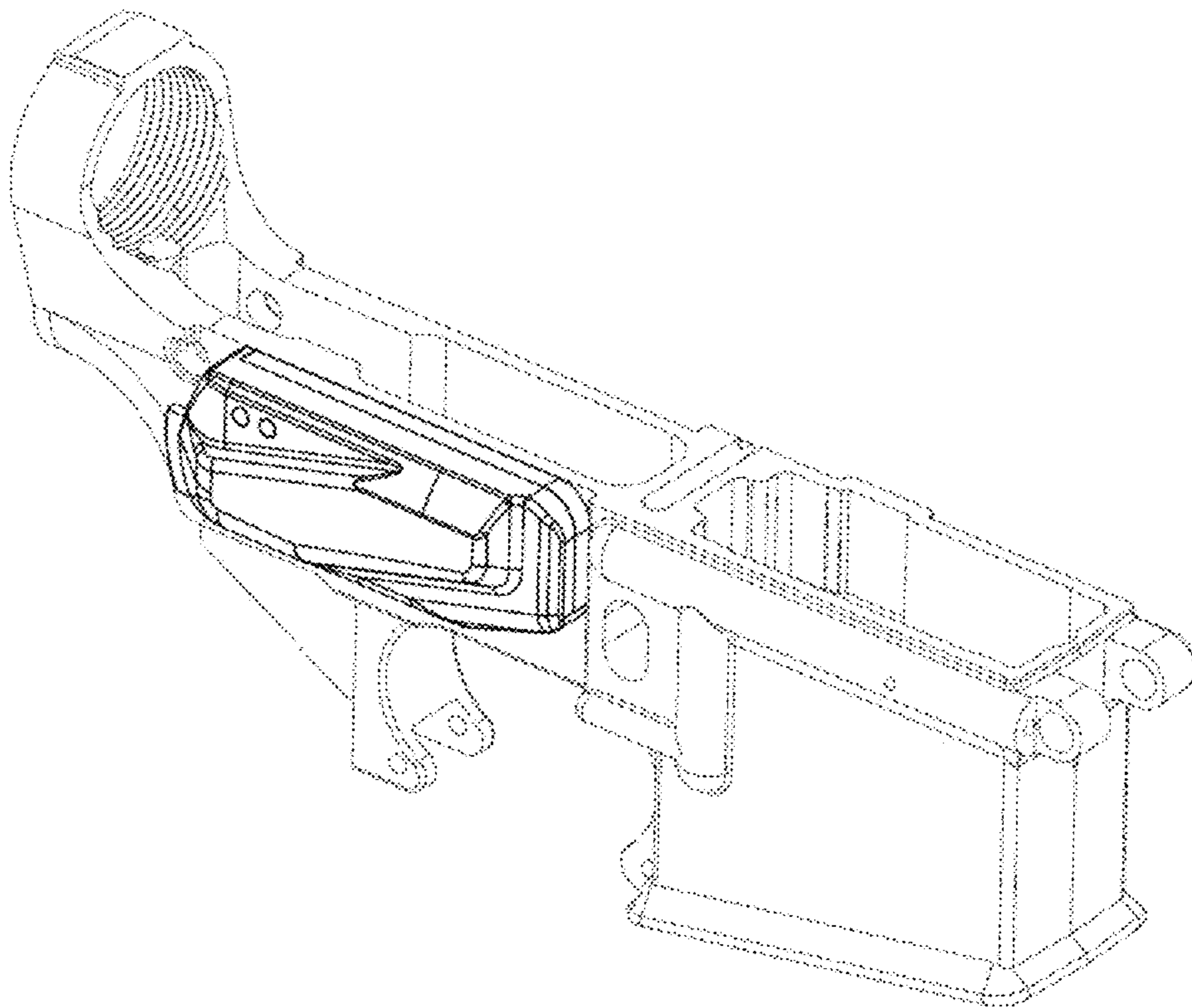
FIG. 5 is a rear view thereof;

FIG. 6 is a perspective view thereof; and,

FIG. 7 is a perspective environmental view thereof.

The broken like showing of the accessory for rifles in FIG. 7 is for the purpose of illustrating the environmental structure and forms no part of the claimed design.

**1 Claim, 7 Drawing Sheets**



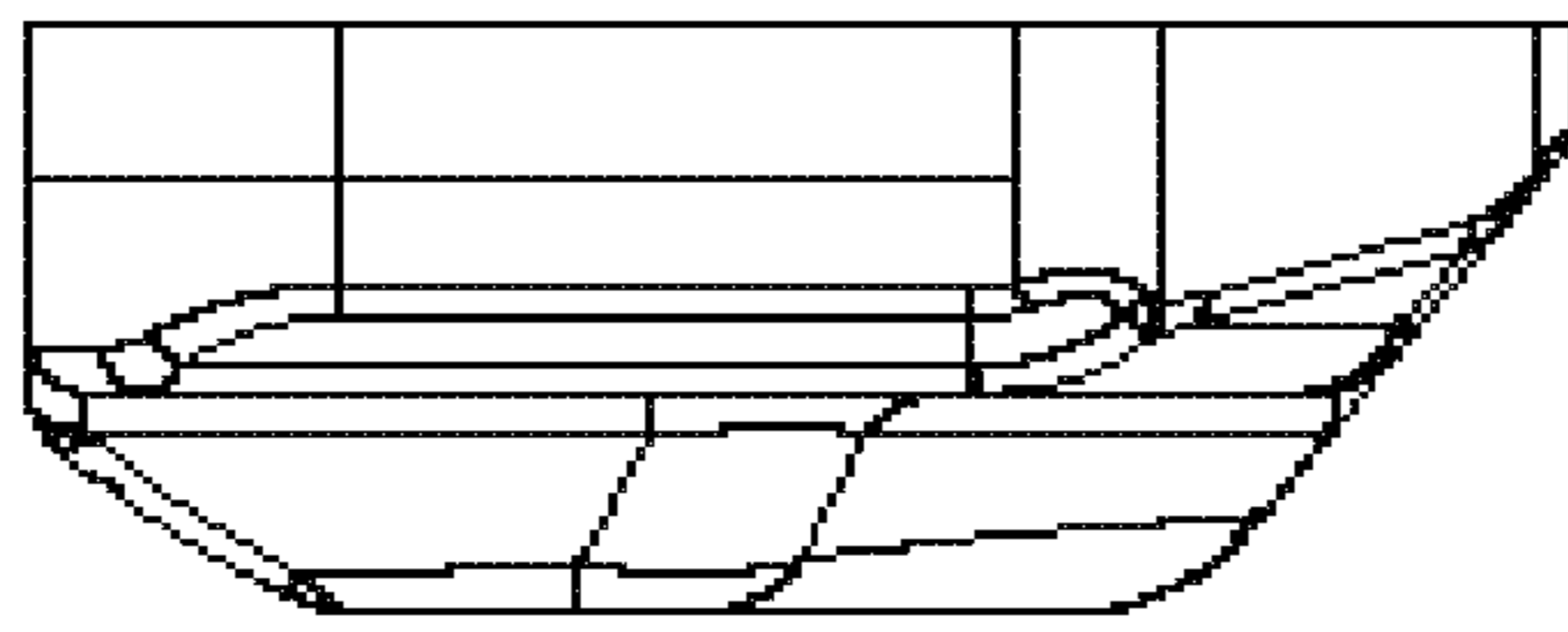


FIG. 1

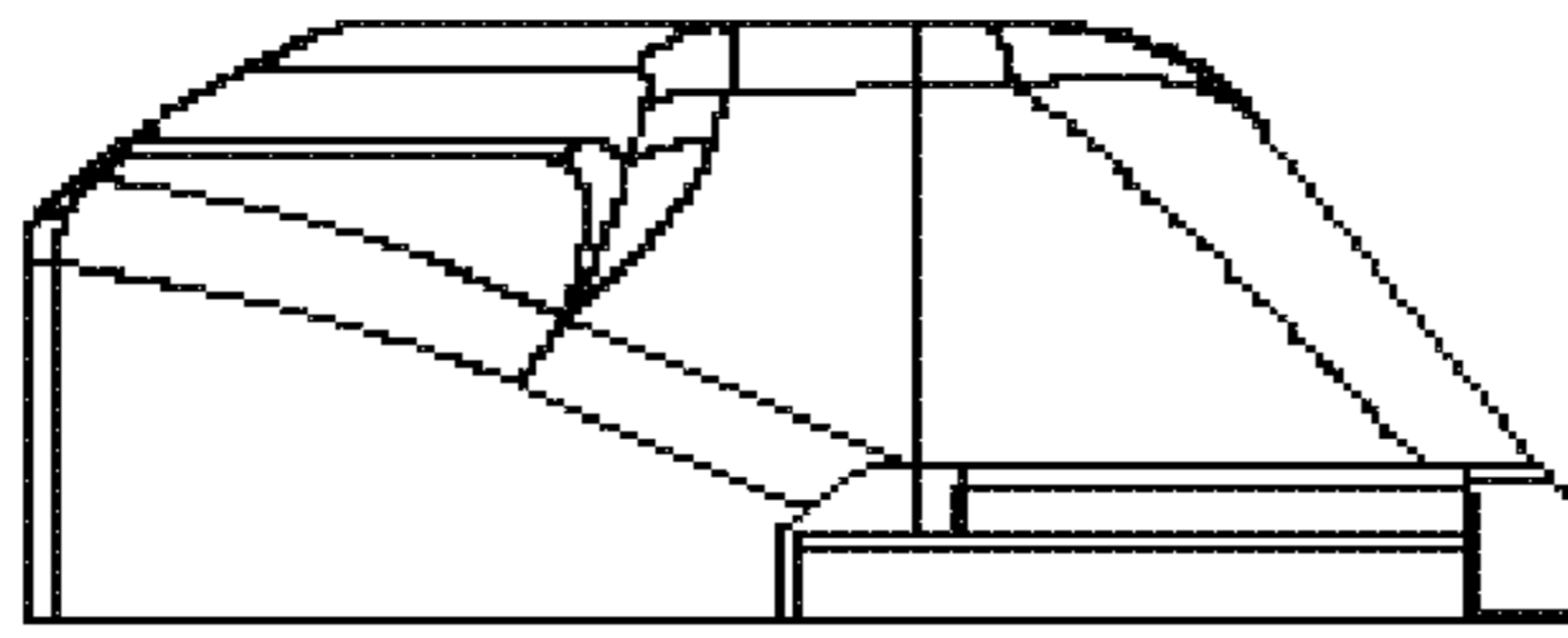


FIG. 2

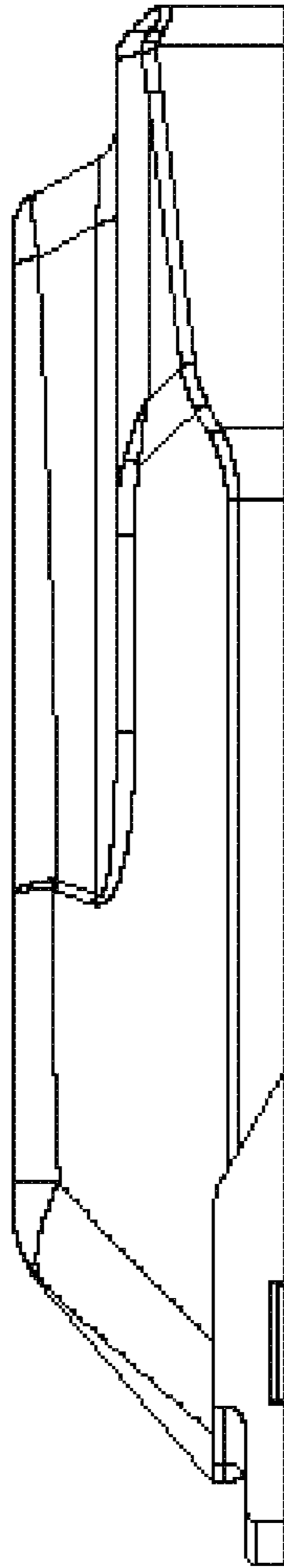


FIG. 3

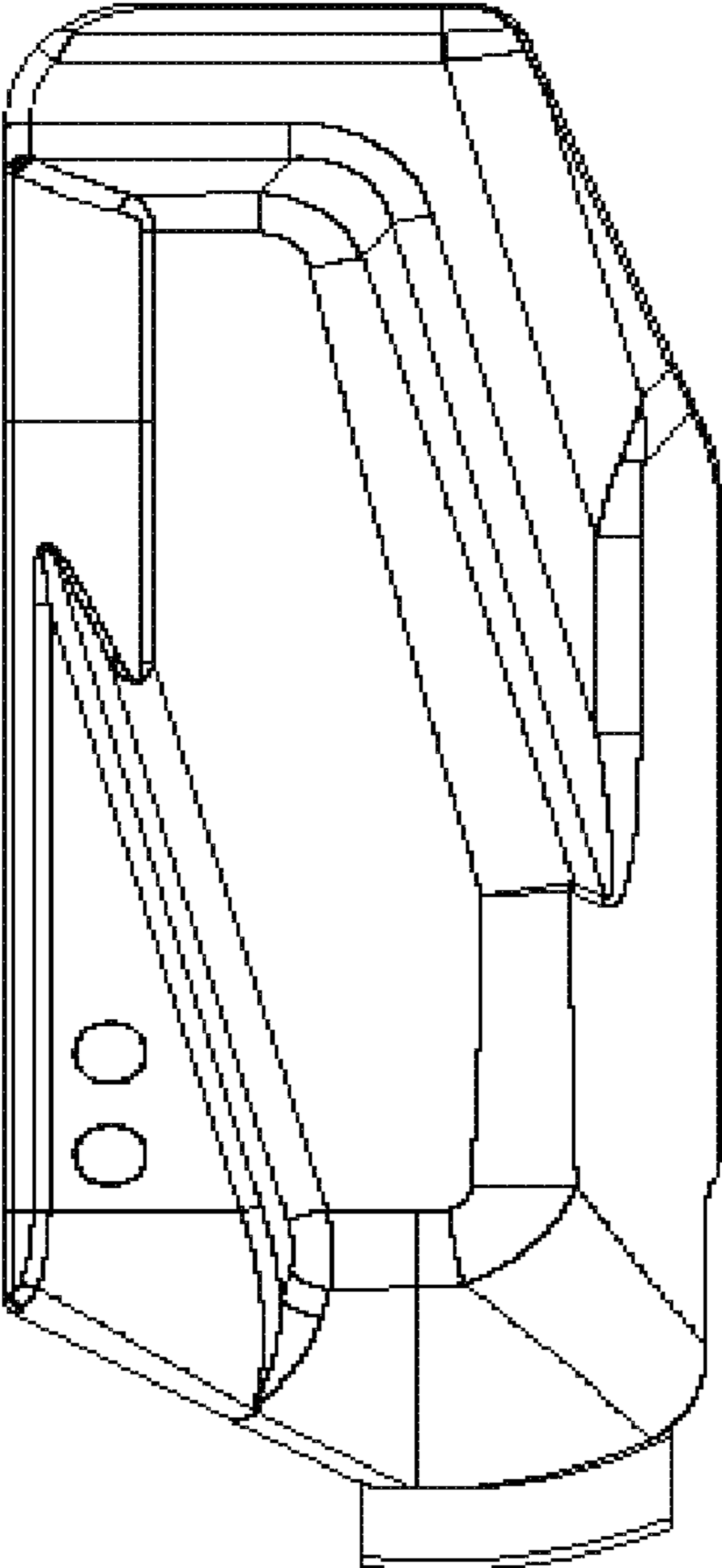


FIG. 4

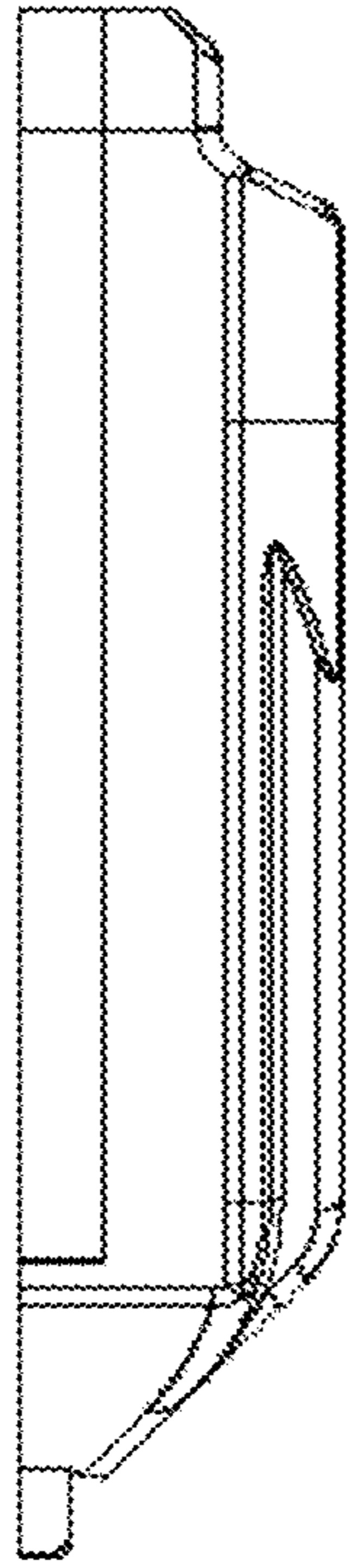


FIG. 5

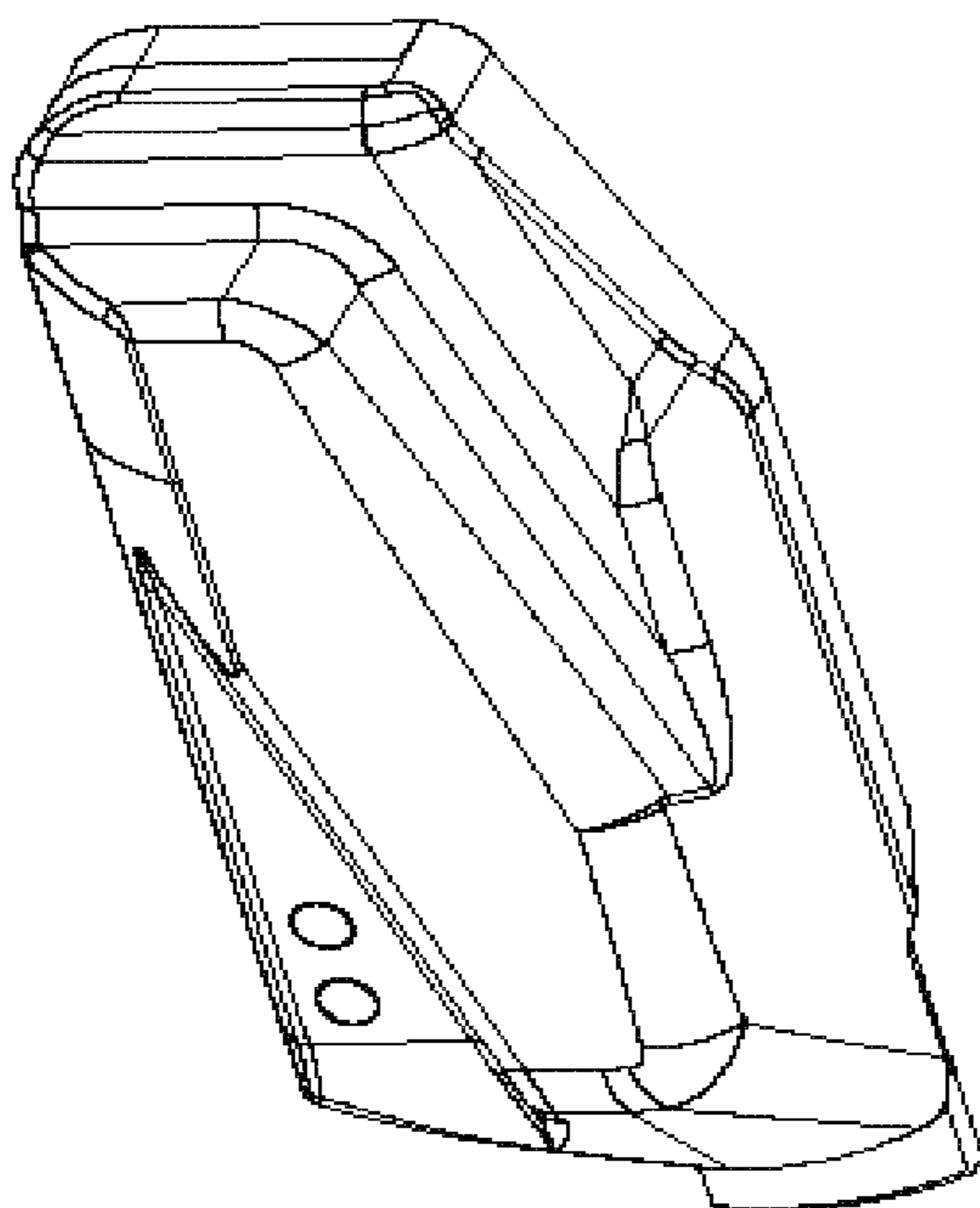


FIG. 6

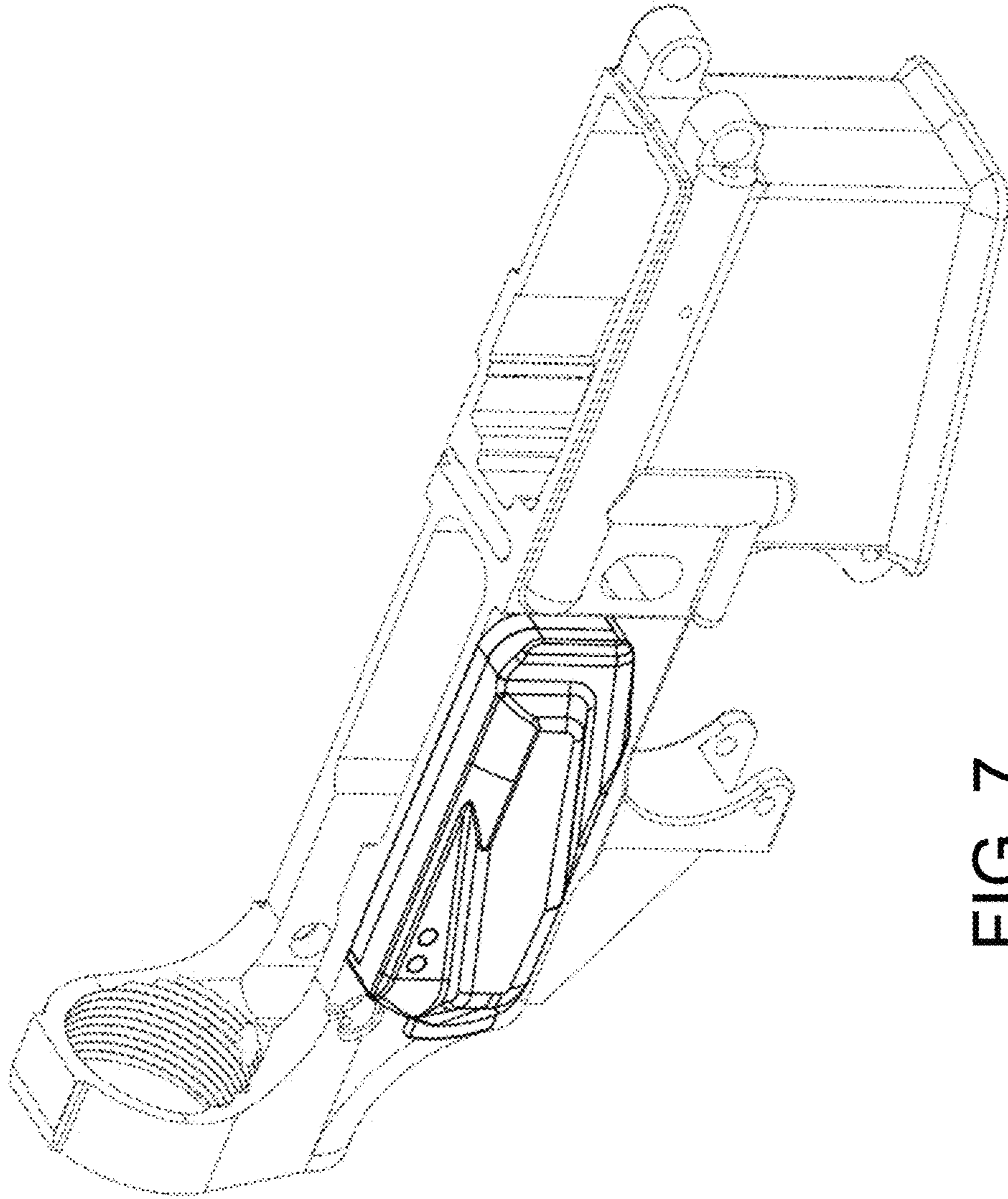


FIG. 7