



US00D815235S

(12) **United States Design Patent** (10) **Patent No.:** **US D815,235 S**
Grego et al. (45) **Date of Patent:** **** Apr. 10, 2018**

(54) **MAGAZINE LOADER ASSEMBLY**

Primary Examiner — Michael A Pratt

(71) Applicant: **The United States of America as Represented by the Secretary of the Army**, Washington, DC (US)

(74) *Attorney, Agent, or Firm* — John P. DiScala

(72) Inventors: **Thomas C. Grego**, Chester, NJ (US); **Adam L. Foltz**, Long Valley, NJ (US); **Vincent Escalona**, Bound Brook, NJ (US)

(57) **CLAIM**

The ornamental design for a magazine loader assembly, as shown and described.

(73) Assignee: **The United States of America as Represented by the Secretary of the Army**, Washington, DC (US)

DESCRIPTION

(**) Term: **15 Years**

The invention described herein may be manufactured, used, and licensed by or for the U.S. Government for U.S. Government purposes.

(21) Appl. No.: **29/570,943**

FIG. 1 shows a front perspective view of a magazine loader body of a magazine loader assembly.

(22) Filed: **Jul. 13, 2016**

FIG. 2 shows a front elevational view of the magazine loader body of the magazine loader assembly.

(51) **LOC (11) Cl.** **22-01**

FIG. 3 shows a top plan view of the magazine loader body of the magazine loader assembly.

(52) **U.S. Cl.**
USPC **D22/108**

FIG. 4 shows a bottom plan view of the magazine loader body of the magazine loader assembly.

(58) **Field of Classification Search**
USPC D22/108
CPC F41A 9/83; F41A 9/82
See application file for complete search history.

FIG. 5 shows a right side elevational view of the magazine loader body of the magazine loader assembly.

FIG. 6 shows a front perspective view of a magazine loader plunger of the magazine loader assembly.

(56) **References Cited**

U.S. PATENT DOCUMENTS

D370,518 S *	6/1996	Haywood	D22/108
D477,047 S	7/2003	Springer		
6,754,987 B1	6/2004	Cheng		
6,810,616 B2	11/2004	Tal		
D503,960 S	4/2005	Gangi		
D527,067 S	8/2006	Sellars		
D615,143 S	5/2010	Fitzpatrick		
D697,999 S	1/2014	Firment		
D728,065 S	4/2015	Tal		
D728,066 S	4/2015	Tal		
D753,781 S *	4/2016	Cauley, Jr.	D22/108
D770,588 S *	11/2016	Cauley, Jr.	D22/108

FIG. 7 shows a back elevational view of the magazine loader plunger of the magazine loader assembly.

FIG. 8 shows a right side elevational view of the magazine loader plunger of the magazine loader assembly.

FIG. 9 shows a bottom plan view of the magazine loader plunger of the magazine loader assembly.

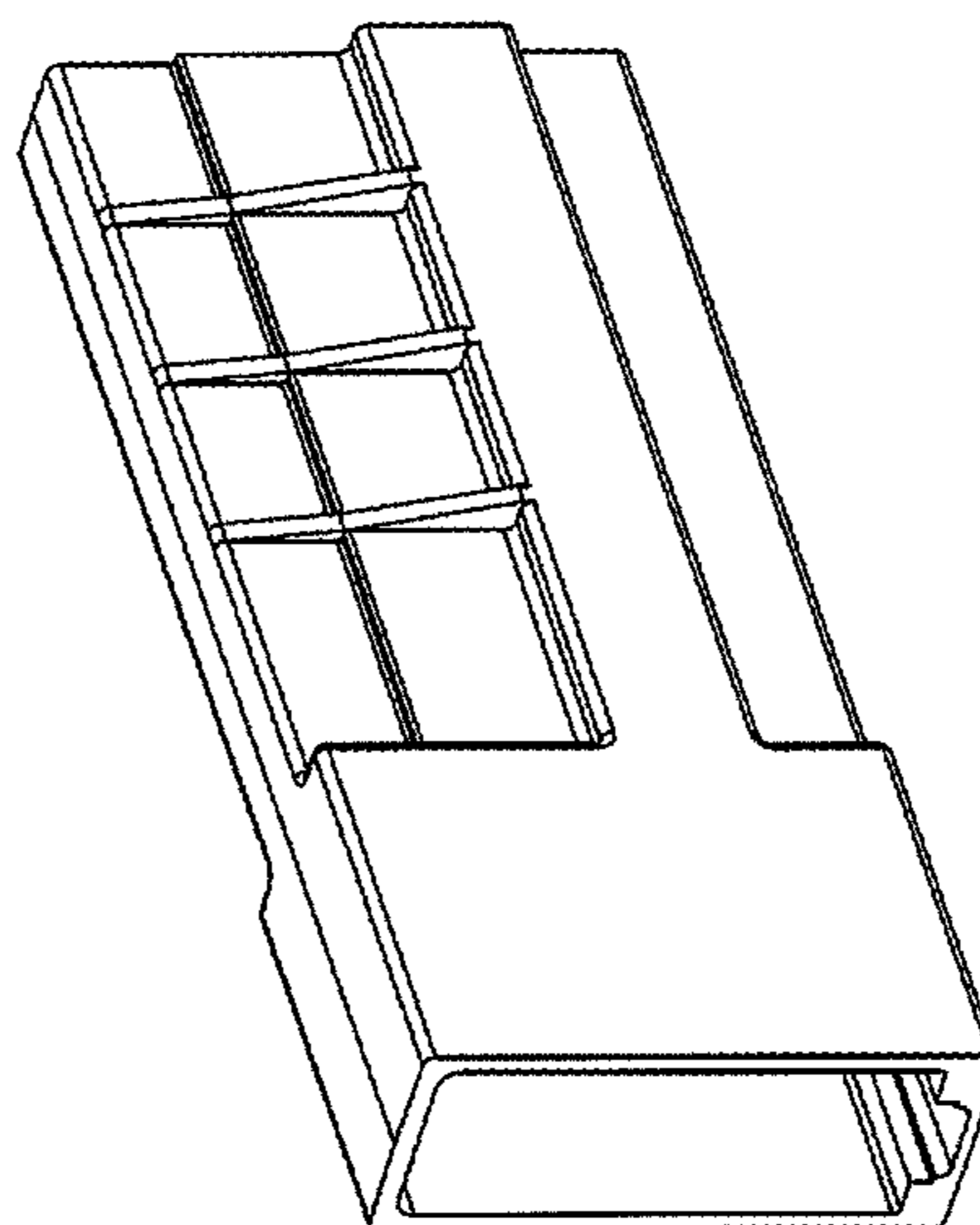
FIG. 10 shows a front perspective view of the magazine loader assembly with the magazine loader plunger inserted into the magazine loader body.

FIG. 11 shows a front elevational view of the magazine loader assembly with the magazine loader plunger inserted into the magazine holder body; and,

FIG. 12 shows a front cross-sectional view of the magazine loader body of the magazine loader assembly.

(Continued)

1 Claim, 11 Drawing Sheets



(56)

References Cited

U.S. PATENT DOCUMENTS

D790,030 S * 6/2017 Ulbrich D22/108
D799,632 S * 10/2017 Ulbrich D22/108

* cited by examiner

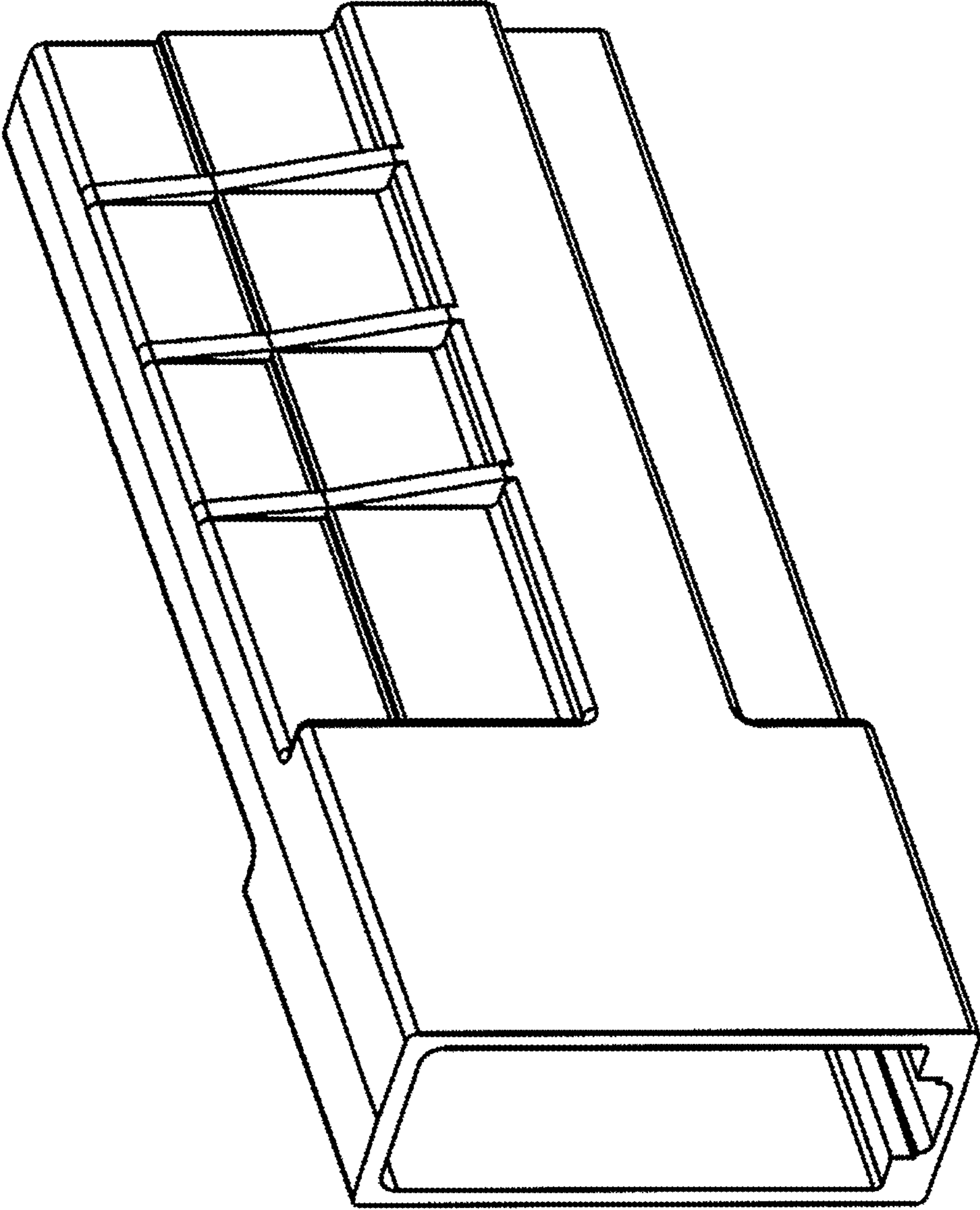


FIG. 1

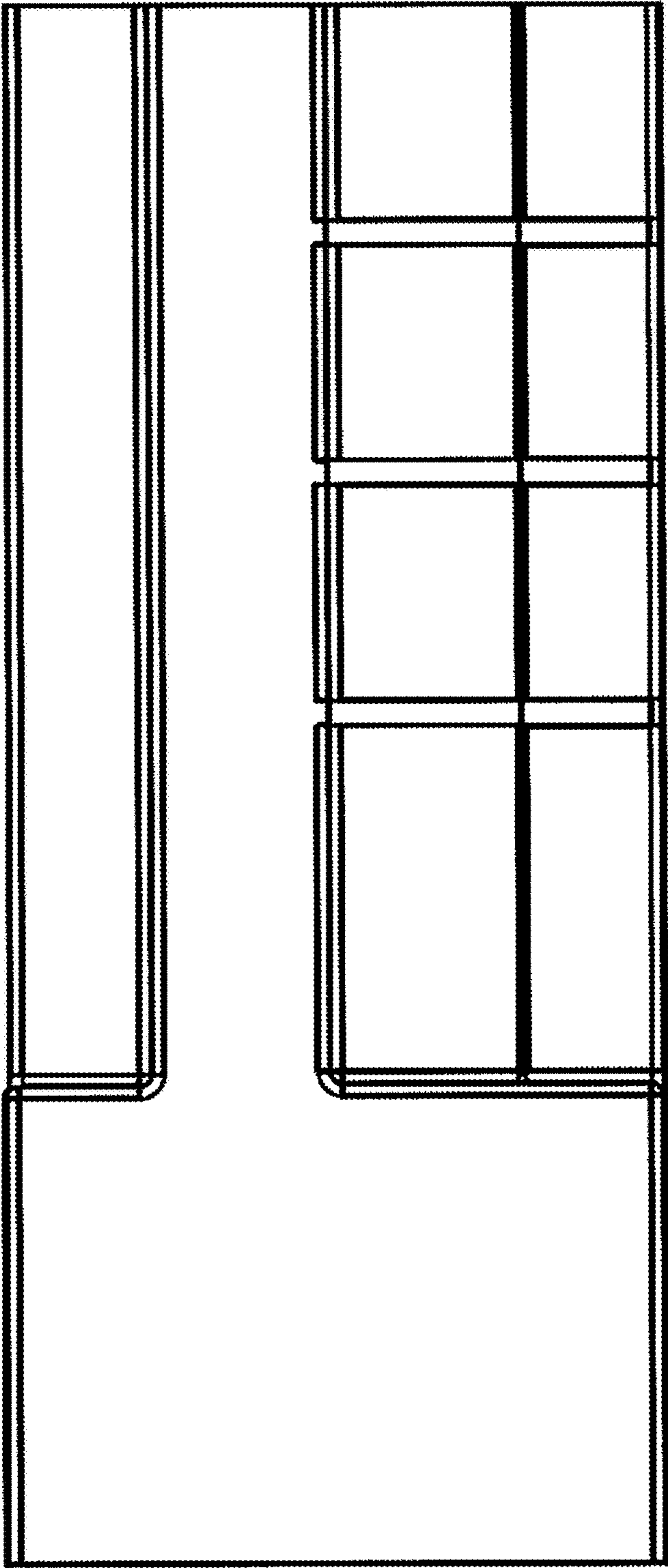


FIG. 2

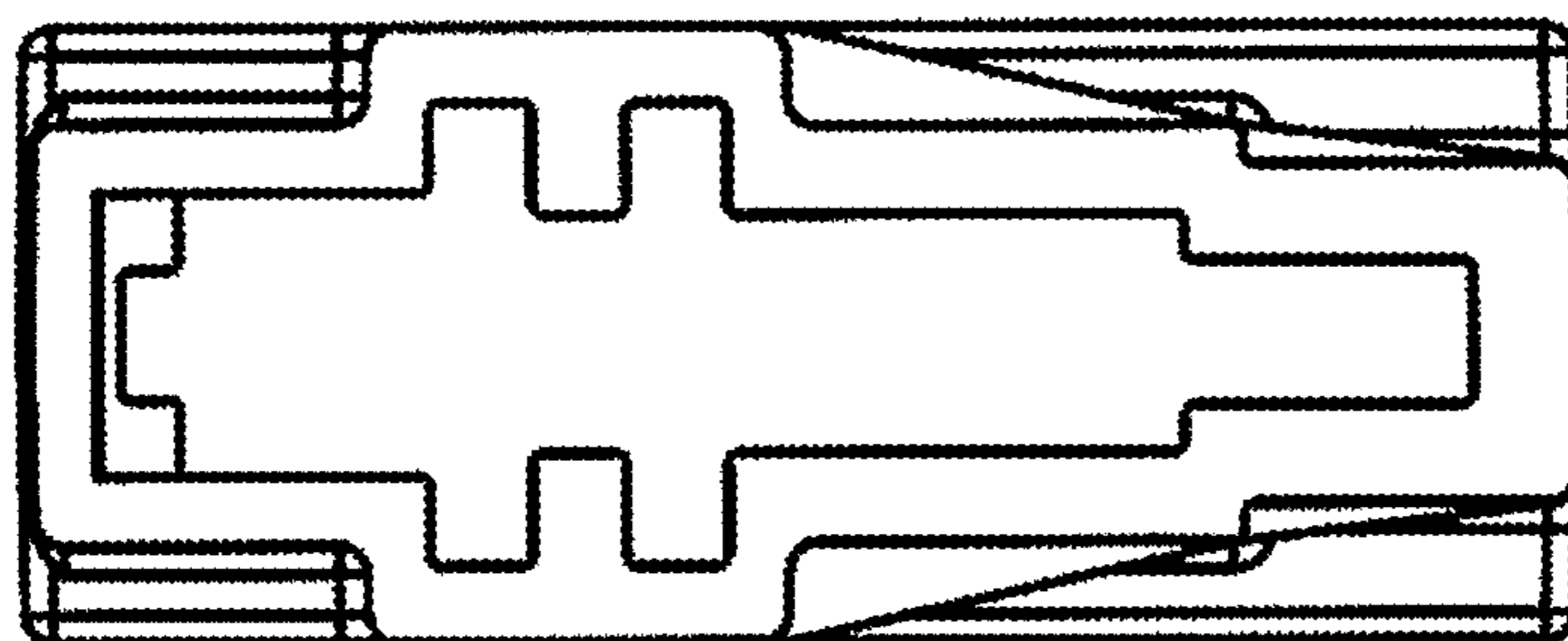


FIG. 3

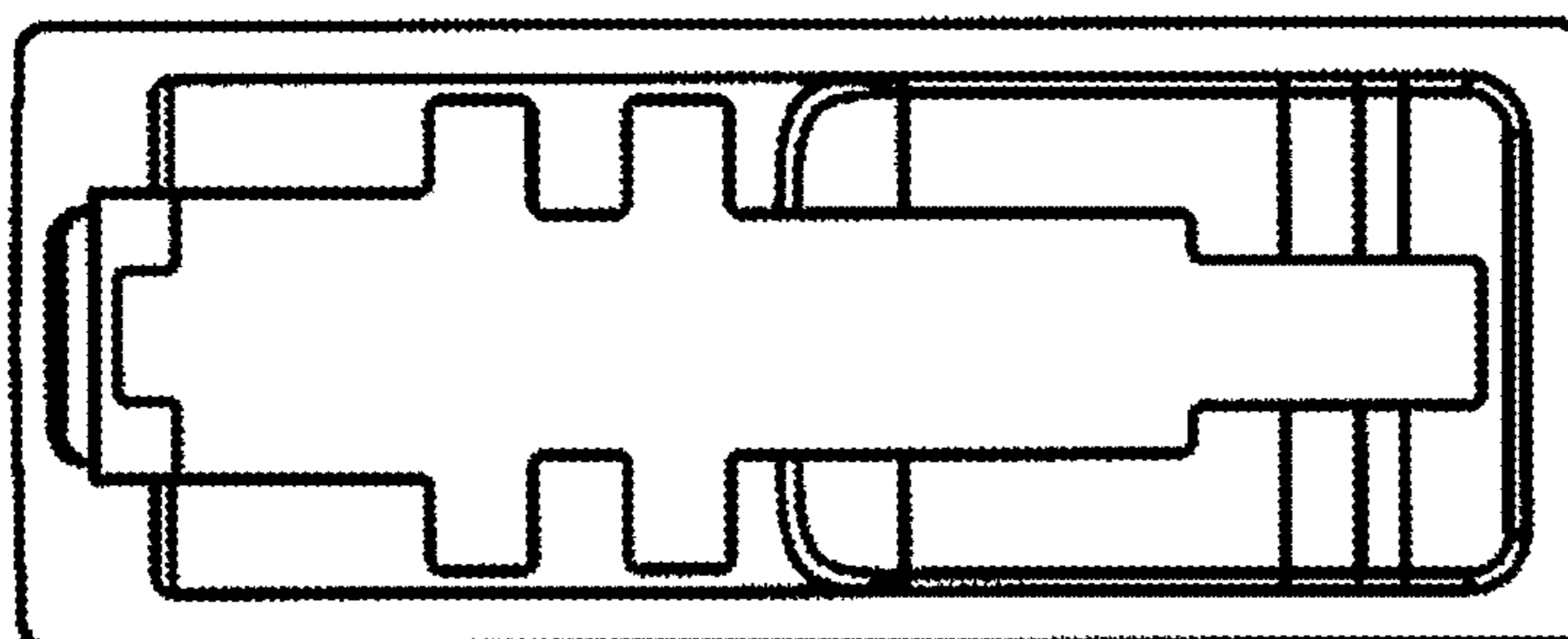


FIG. 4

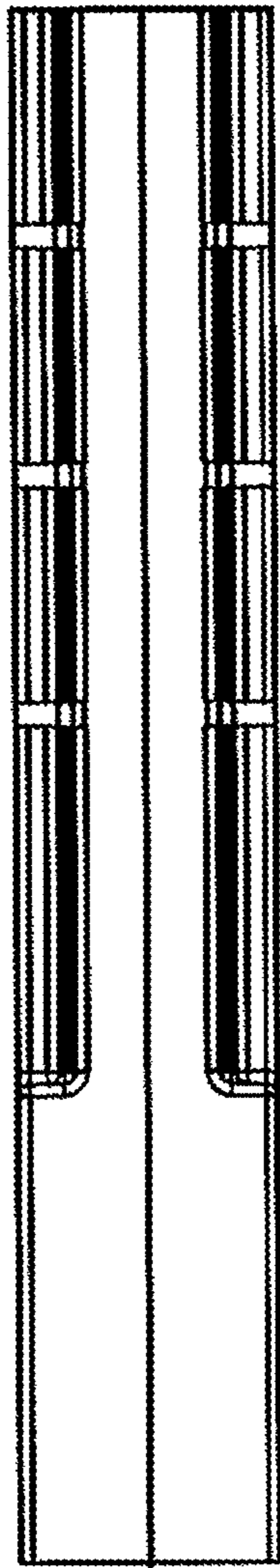


FIG. 5

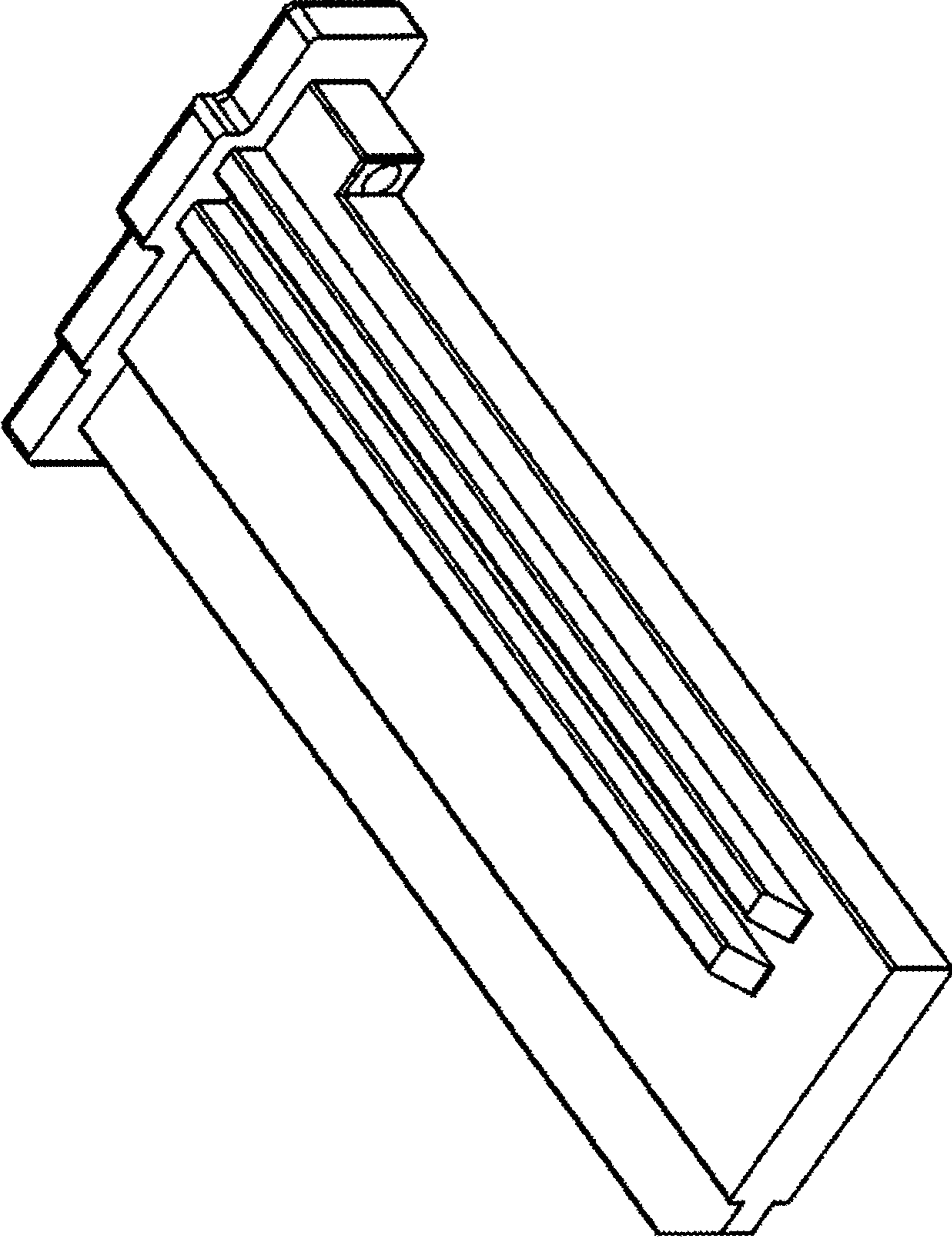


FIG. 6

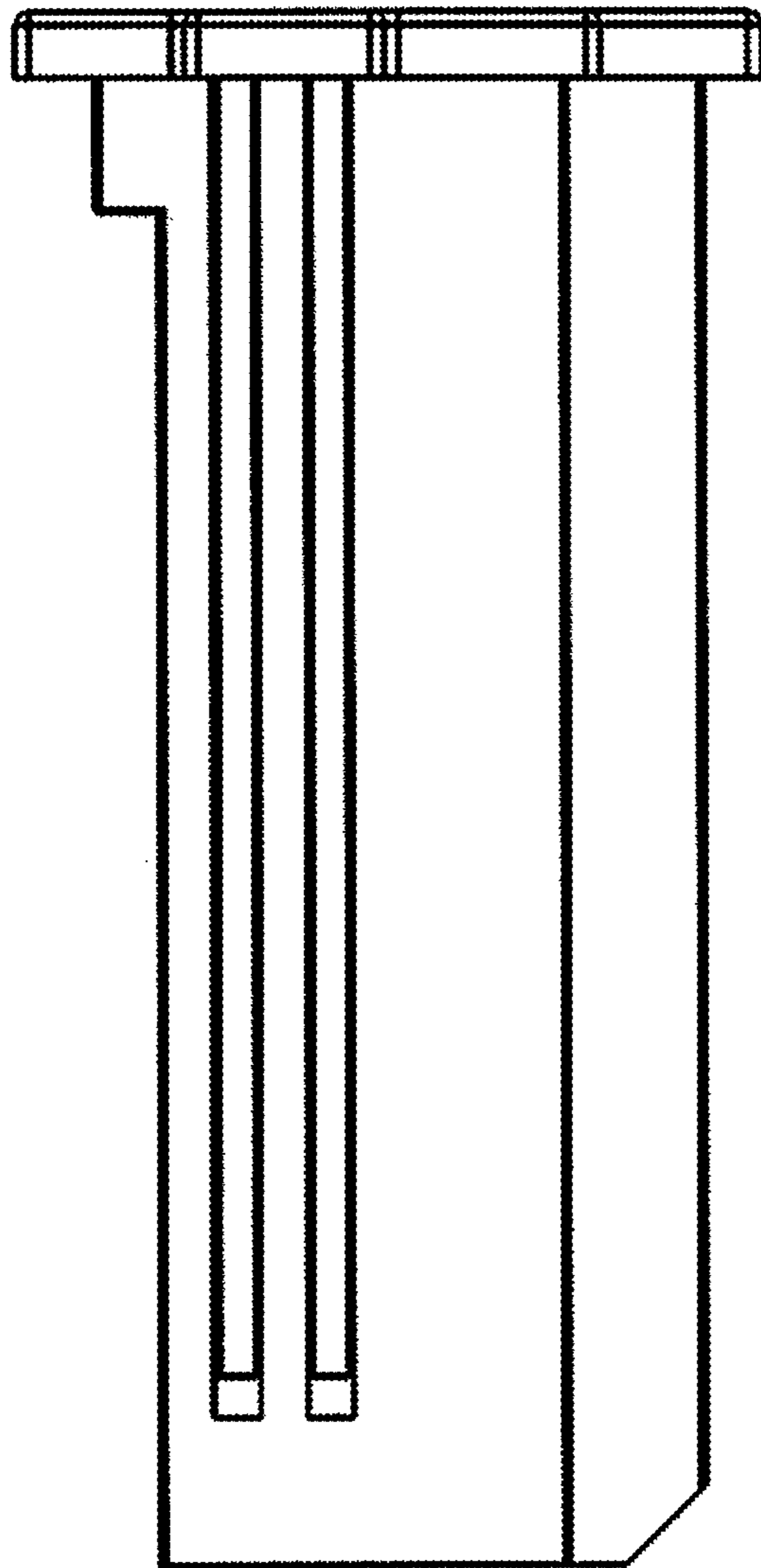


FIG. 7

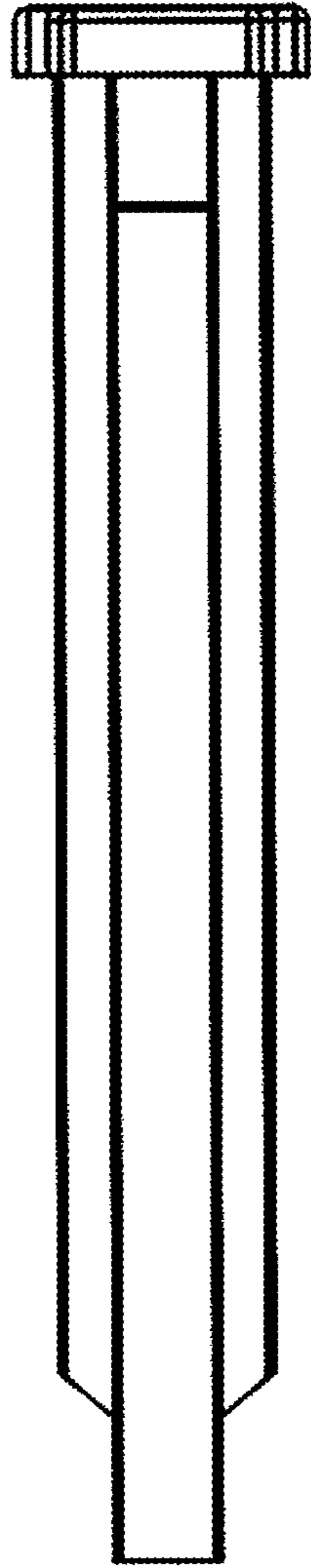


FIG. 8

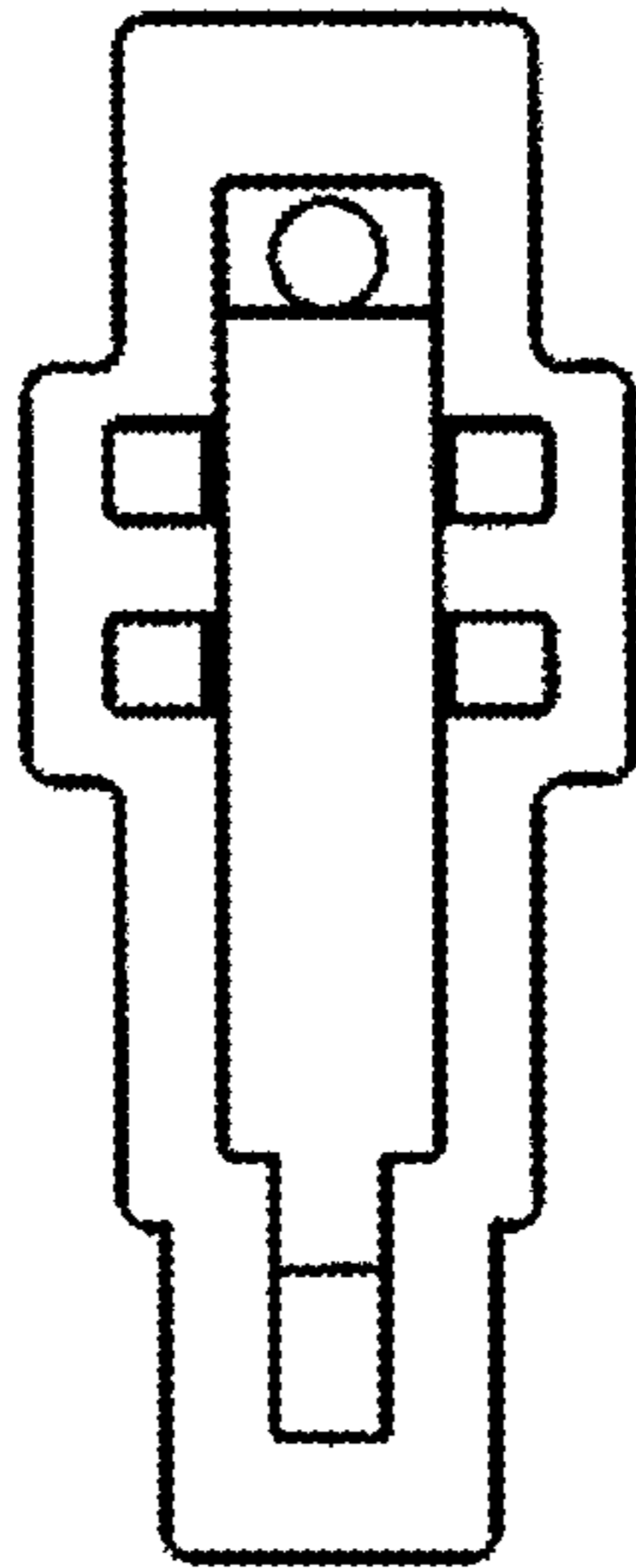


FIG. 9

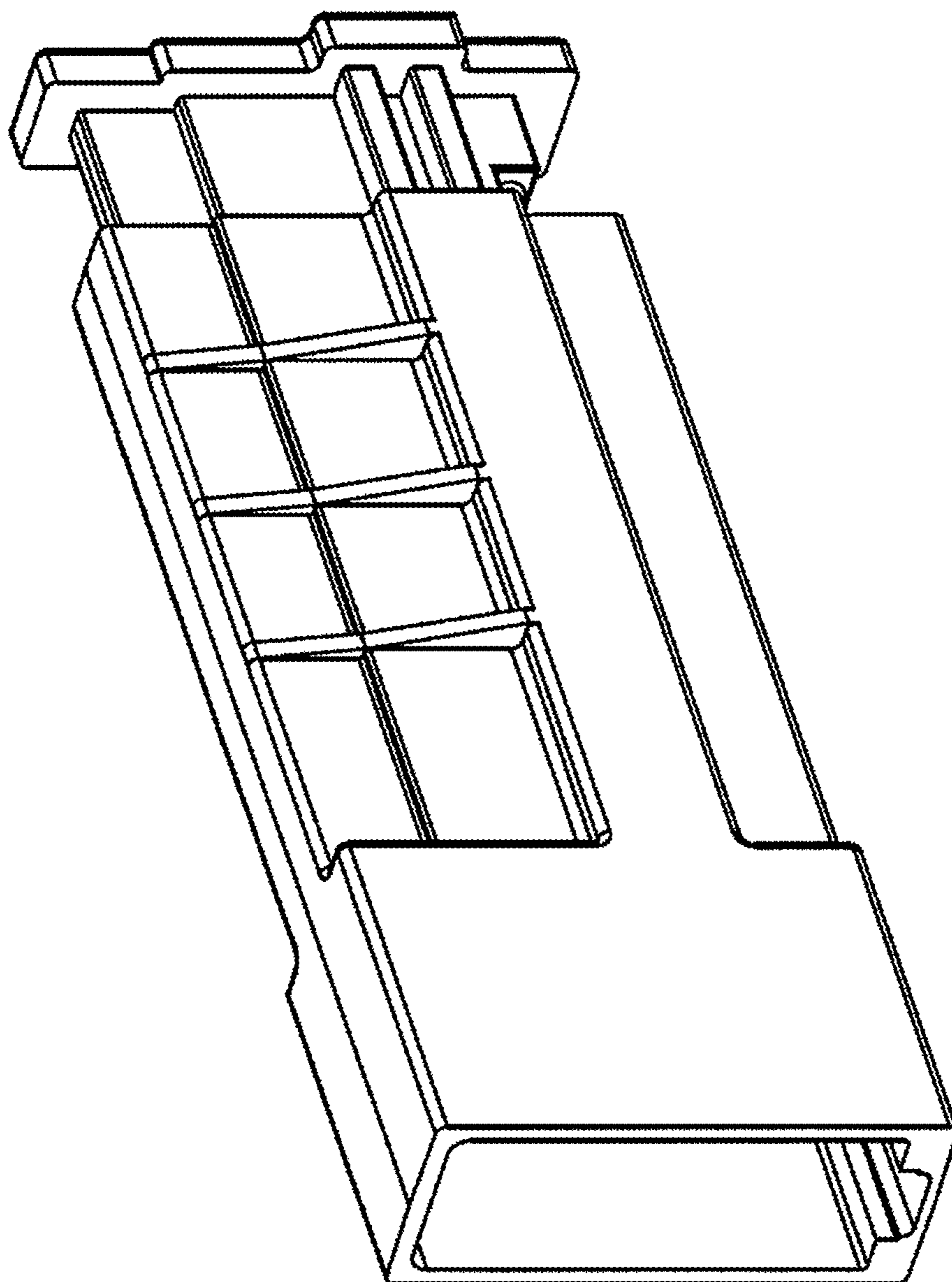


FIG. 10

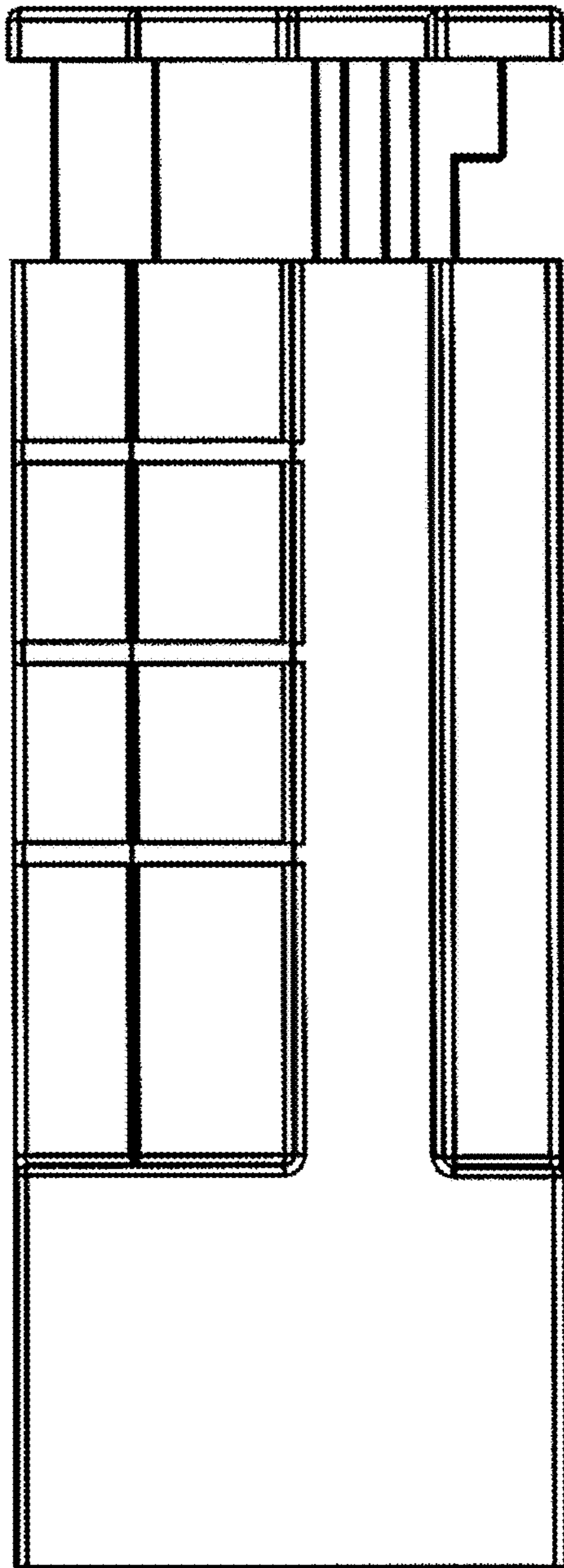


FIG. 11

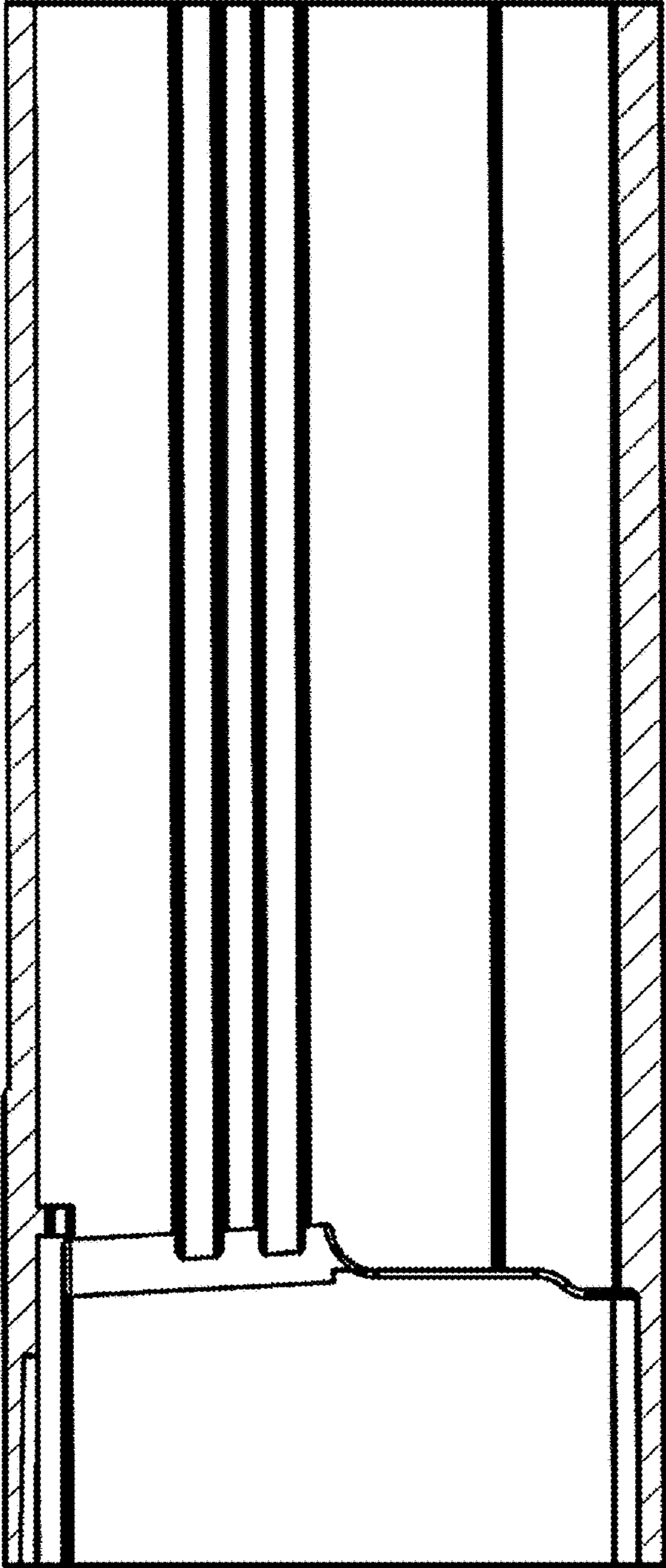


FIG. 12