



US00D815233S

(12) **United States Design Patent**
Toner et al.

(10) **Patent No.:** **US D815,233 S**
(45) **Date of Patent:** **** Apr. 10, 2018**

- (54) **MODULAR HANDGUN**
- (71) Applicant: **Sig Sauer, Inc.**, Newington, NH (US)
- (72) Inventors: **Sean P. Toner**, Merrimack, NH (US);
Matthew A. Taylor, Barrington, NH (US)
- (73) Assignee: **Sig Sauer, Inc.**, Newington, NH (US)
- (**) Term: **15 Years**
- (21) Appl. No.: **29/570,365**
- (22) Filed: **Jul. 7, 2016**
- (51) **LOC (11) Cl.** **22-01**
- (52) **U.S. Cl.**
USPC **D22/104**
- (58) **Field of Classification Search**
USPC D22/104, 108
CPC F41C 3/14; F41C 3/16; F41C 3/04
See application file for complete search history.

(56) **References Cited**

U.S. PATENT DOCUMENTS

2,424,194	A	7/1947	Sampson et al.	
2,970,398	A	2/1961	Crouch	
3,488,488	A	1/1970	Crouch	
3,618,584	A	11/1971	Pigeon	
4,512,236	A	4/1985	Thevis et al.	
4,617,749	A	10/1986	Jurek	
4,735,007	A	4/1988	Gal	
D344,124	S	2/1994	Cupp	
D410,988	S	6/1999	Hines	
5,983,774	A	11/1999	Mihaita	
6,839,998	B1	1/2005	Armstrong	
D510,401	S	10/2005	Murello et al.	
D593,629	S *	6/2009	Bantle	D22/104
D600,310	S	9/2009	Fitzpatrick et al.	
D606,155	S	12/2009	Swan	
D606,156	S	12/2009	Swan	
D636,044	S	4/2011	Larson et al.	

D636,048	S	4/2011	Larson et al.	
7,966,761	B1	6/2011	Kuczynko et al.	
8,061,072	B1	11/2011	Croze	
8,151,504	B1	4/2012	Alston	
8,245,429	B2	8/2012	Kuczynko et al.	
D671,184	S	11/2012	Larson et al.	
D674,859	S	1/2013	Robbins et al.	
8,443,538	B1	5/2013	Moody	
D688,764	S *	8/2013	Yigit	D22/104

(Continued)

Primary Examiner — Michael A. Pratt
(74) *Attorney, Agent, or Firm* — Finch & Maloney PLLC

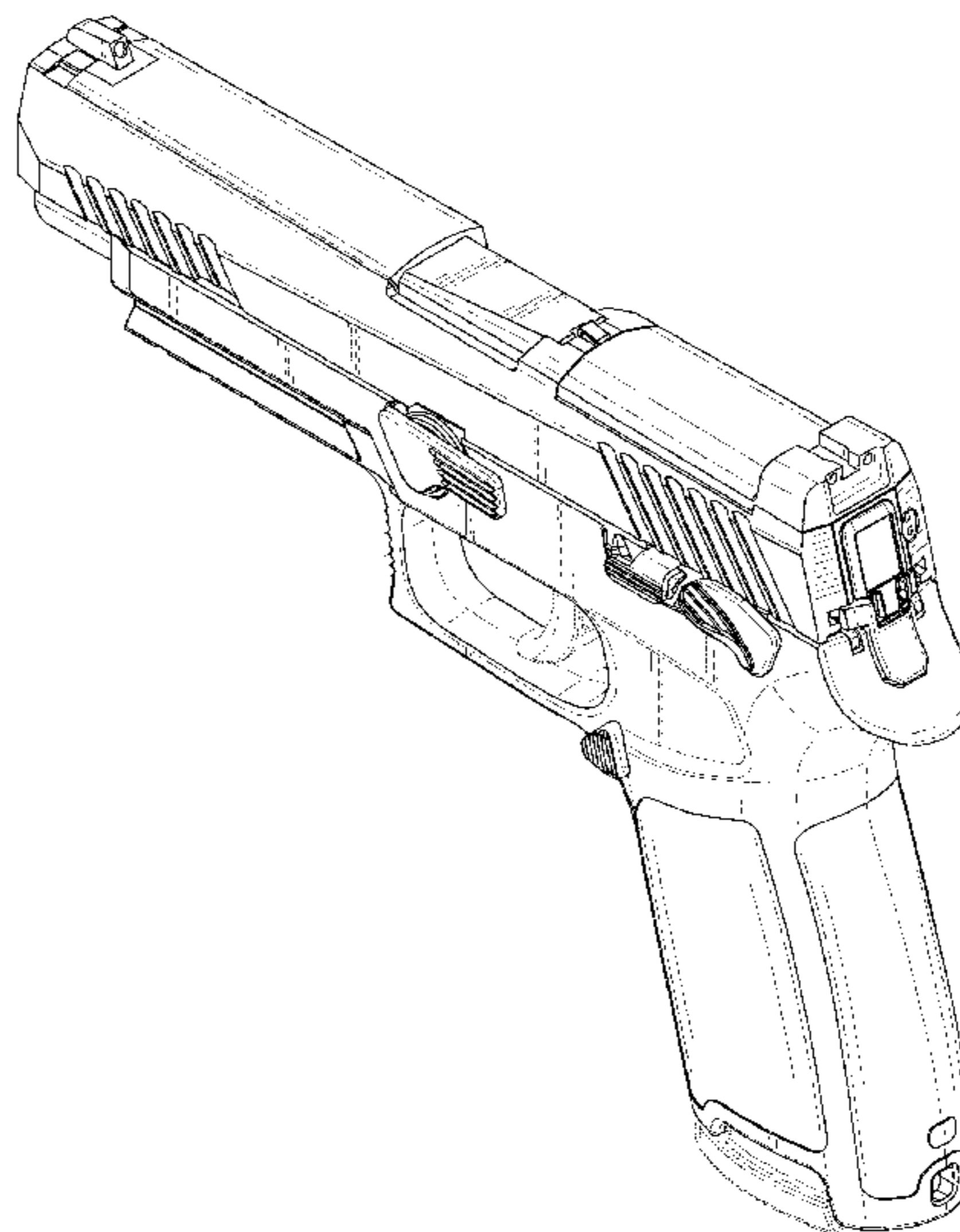
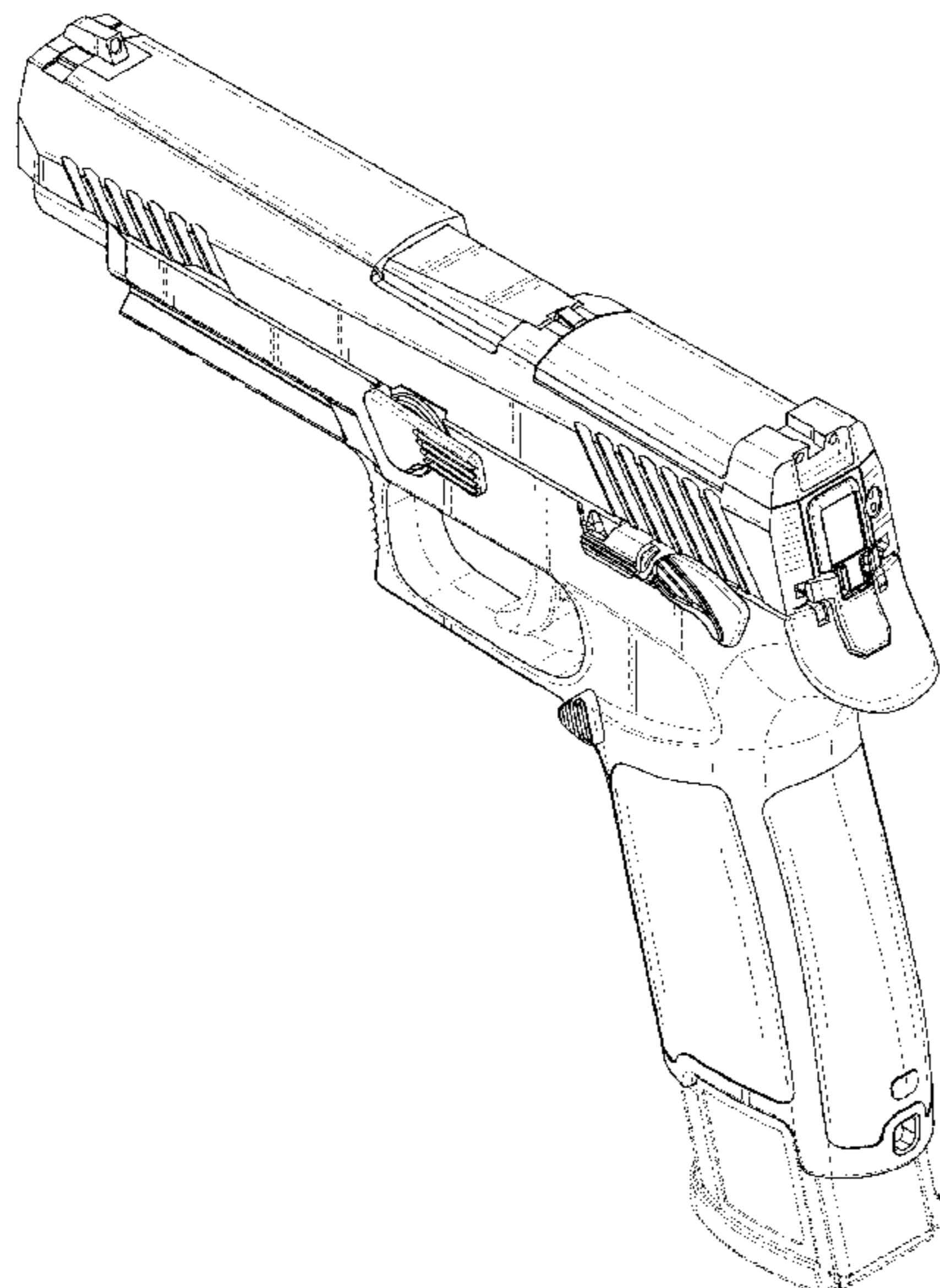
(57) **CLAIM**

The ornamental design for a modular handgun, as shown and described.

DESCRIPTION

FIG. 1 is a rear left perspective view of a modular handgun showing a first embodiment of the design;
 FIG. 2 is a rear right perspective view thereof;
 FIG. 3 is a front elevation view thereof;
 FIG. 4 is a rear elevation view thereof;
 FIG. 5 is a right elevation view thereof;
 FIG. 6 is a left elevation view thereof;
 FIG. 7 is a top plan view thereof;
 FIG. 8 is a bottom plan view thereof;
 FIG. 9 is a rear left perspective view of a modular handgun showing a second embodiment of the design;
 FIG. 10 is a rear right perspective view thereof;
 FIG. 11 is a front elevation view thereof;
 FIG. 12 is a rear elevation view thereof;
 FIG. 13 is a right elevation view thereof;
 FIG. 14 is a left elevation view thereof;
 FIG. 15 is a top plan view thereof, and,
 FIG. 16 is a bottom plan view thereof.
 Broken lines in the drawings are for the purpose of illustrating environmental structure and form no part of the claimed design.

1 Claim, 16 Drawing Sheets



(56)

References Cited

U.S. PATENT DOCUMENTS

8,522,467	B1	9/2013	Christensen et al.	
D692,517	S	10/2013	Faifer	
8,631,601	B2	1/2014	Langevin et al.	
8,667,882	B1	3/2014	Larson et al.	
8,726,558	B1	5/2014	Nason	
8,769,855	B2	7/2014	Law	
D714,413	S	9/2014	Kerbrat et al.	
8,844,185	B2	9/2014	Jarboe	
D716,403	S	10/2014	Burt et al.	
D724,688	S	3/2015	Hirt et al.	
D725,213	S	3/2015	Hirt et al.	
D725,219	S	3/2015	Hirt et al.	
D725,220	S	3/2015	Hirt et al.	
D731,023	S	6/2015	Hirt et al.	
D742,985	S *	11/2015	Hudson, III	D22/104
D791,262	S *	7/2017	Brown	D22/104
2009/0282718	A1	11/2009	Bartley	
2010/0186276	A1	7/2010	Herring	
2011/0283581	A1	11/2011	Freed	
2012/0017482	A1	1/2012	Chvala	
2012/0180354	A1	7/2012	Sullivan et al.	
2013/0125442	A1	5/2013	Burress, Jr.	
2014/0033590	A1	2/2014	Gomez	
2014/0075816	A1	3/2014	Larson et al.	
2014/0196346	A1	7/2014	Grimshaw et al.	
2014/0260946	A1	9/2014	Gomez	

* cited by examiner

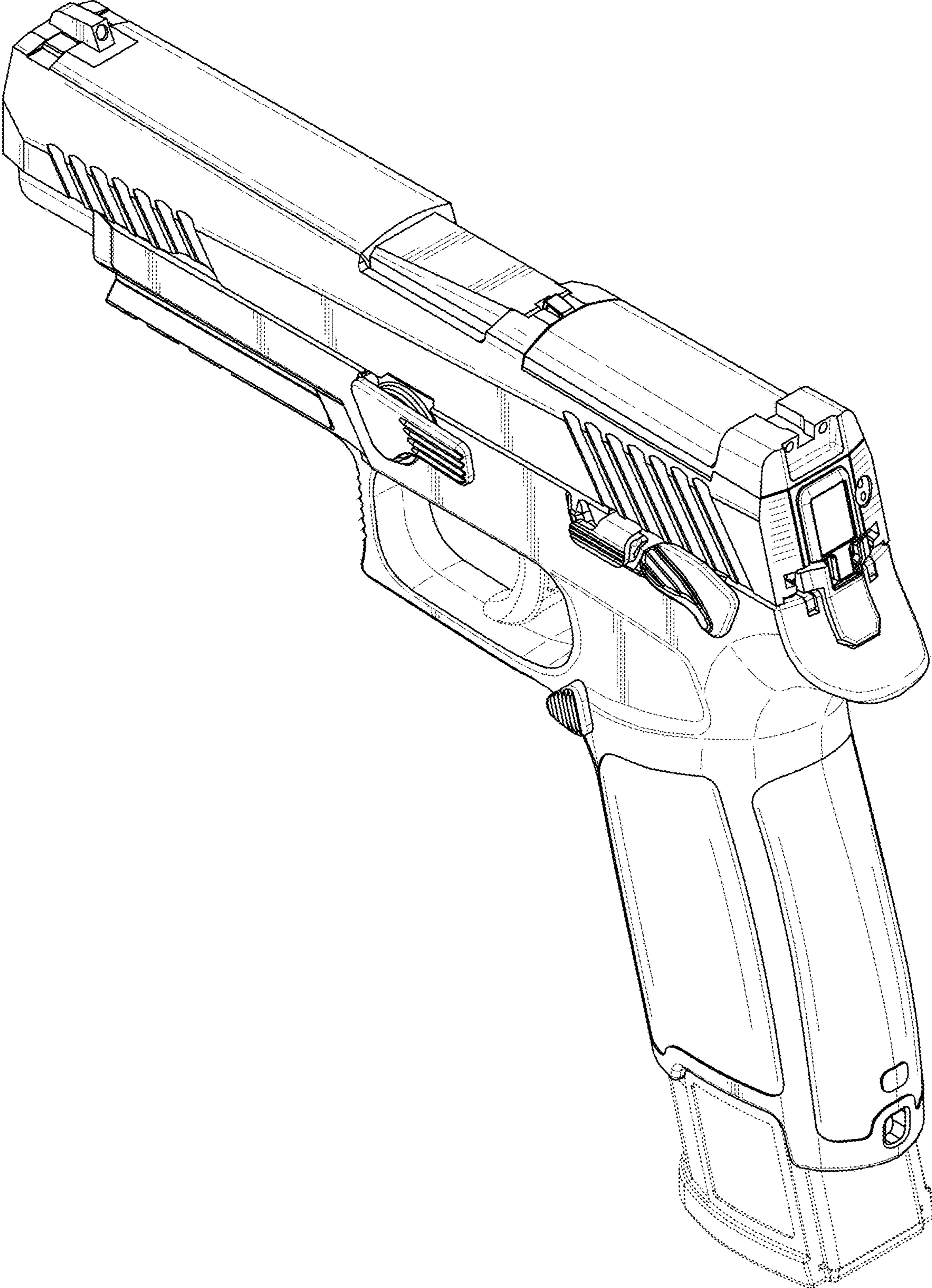


FIG. 1

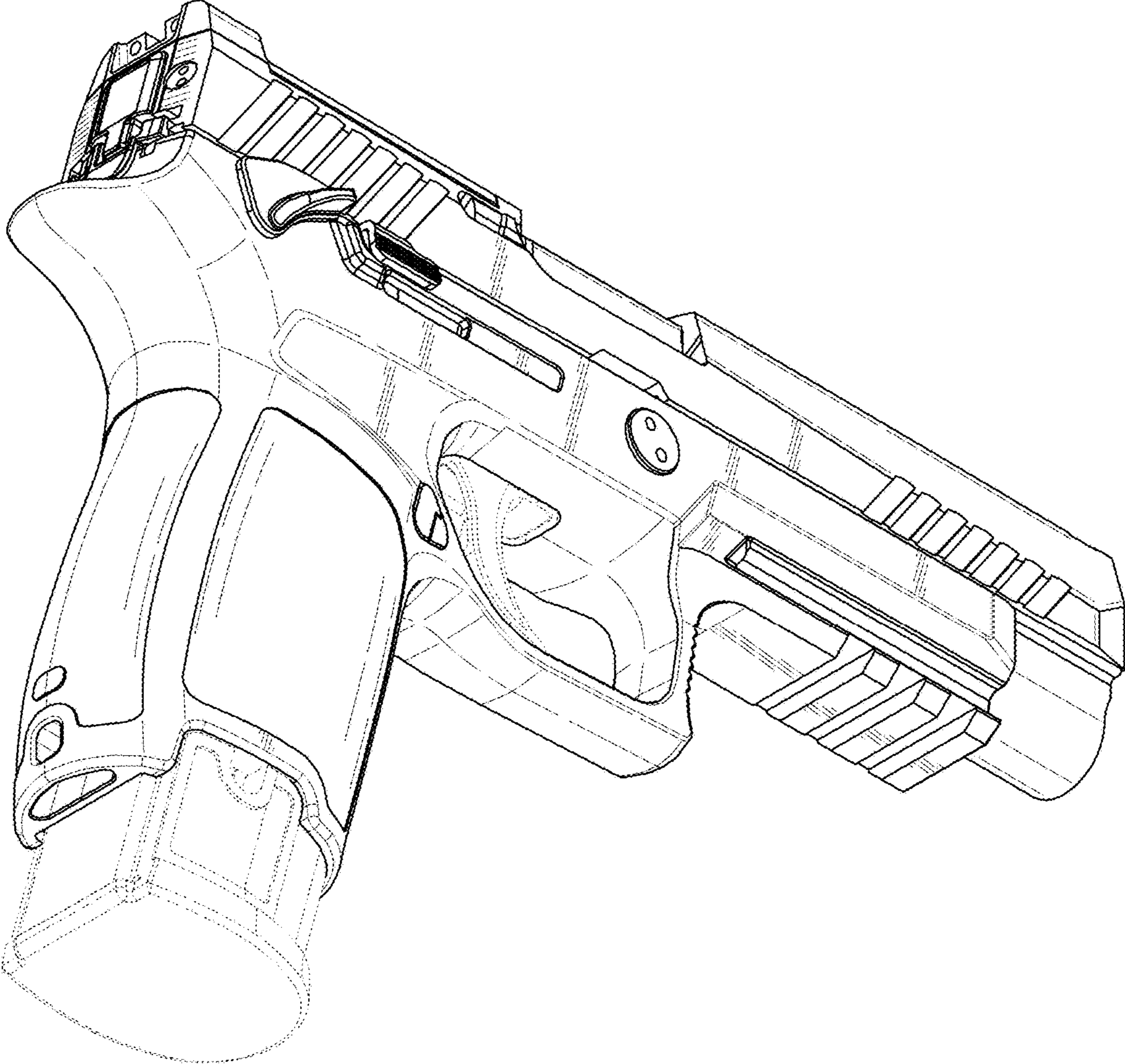


FIG. 2

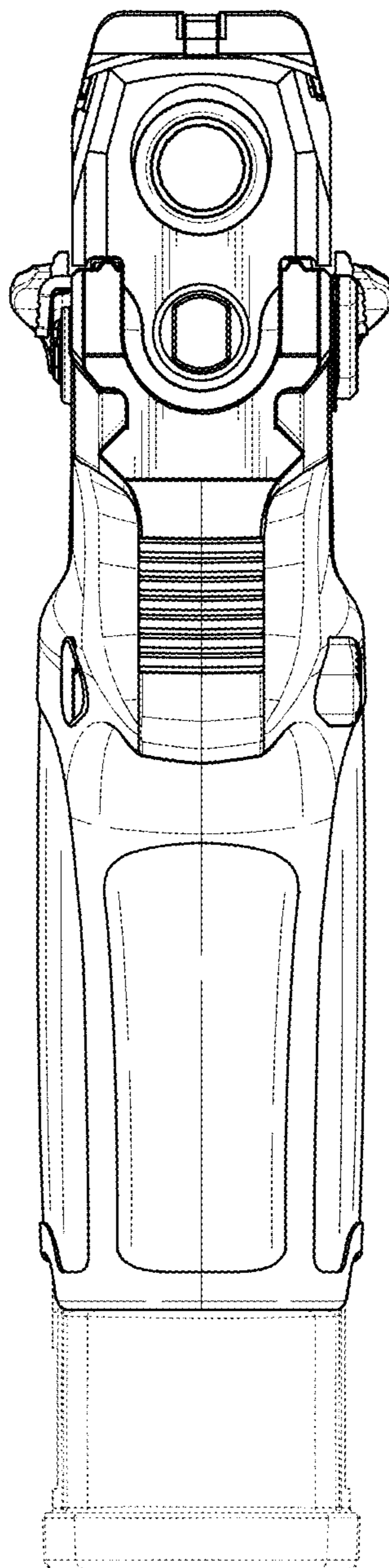


FIG. 3

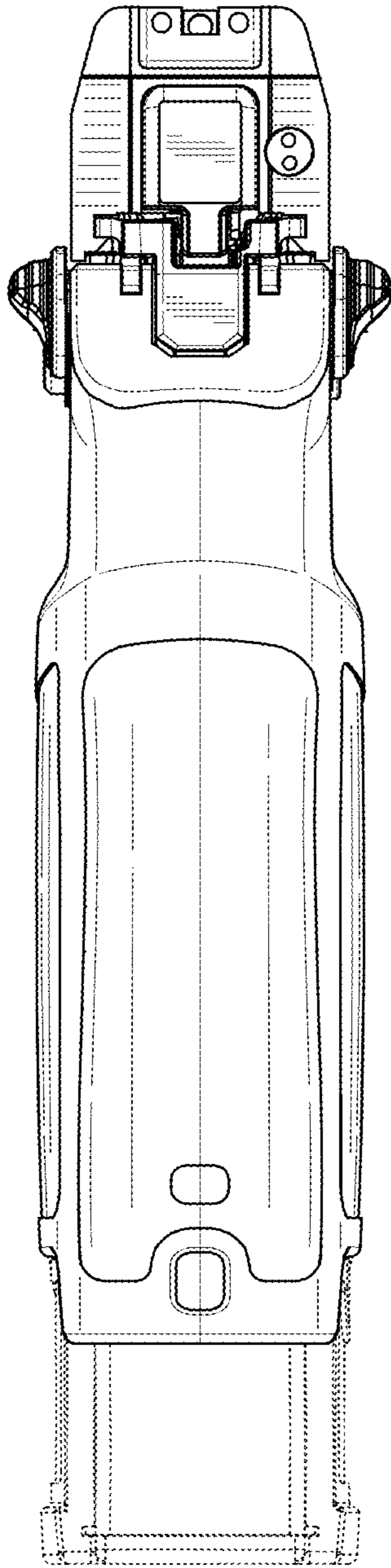


FIG. 4

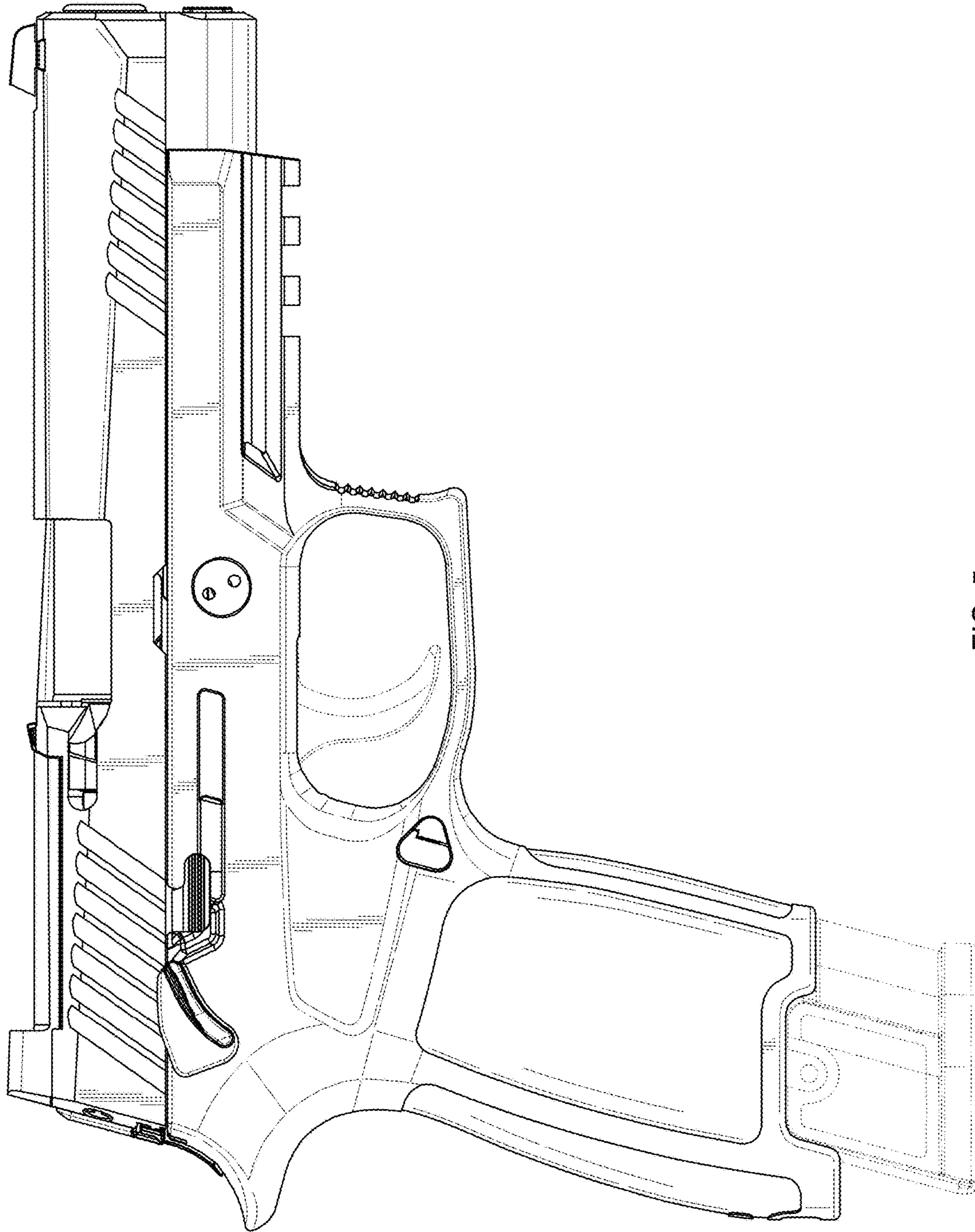


FIG. 5

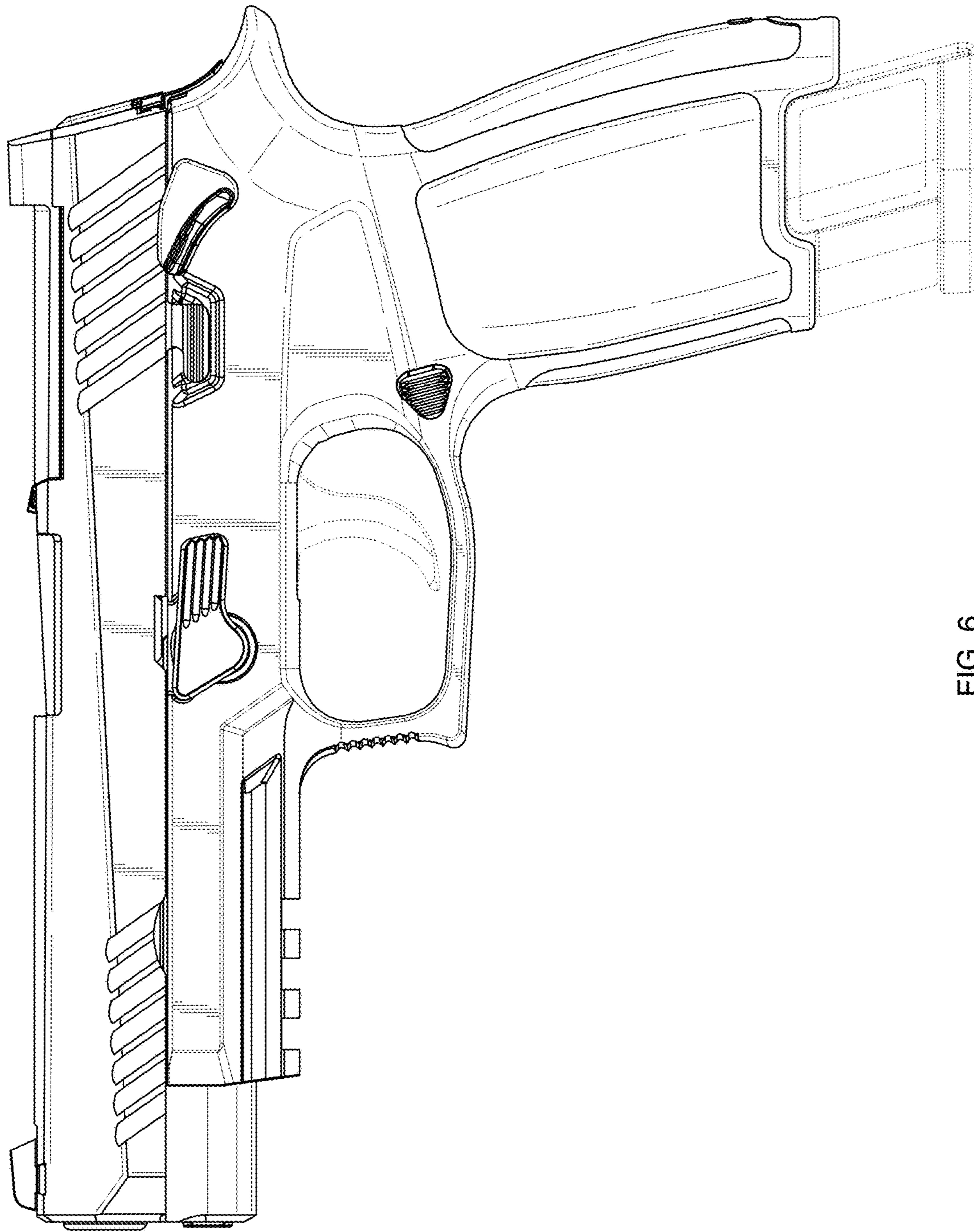


FIG. 6

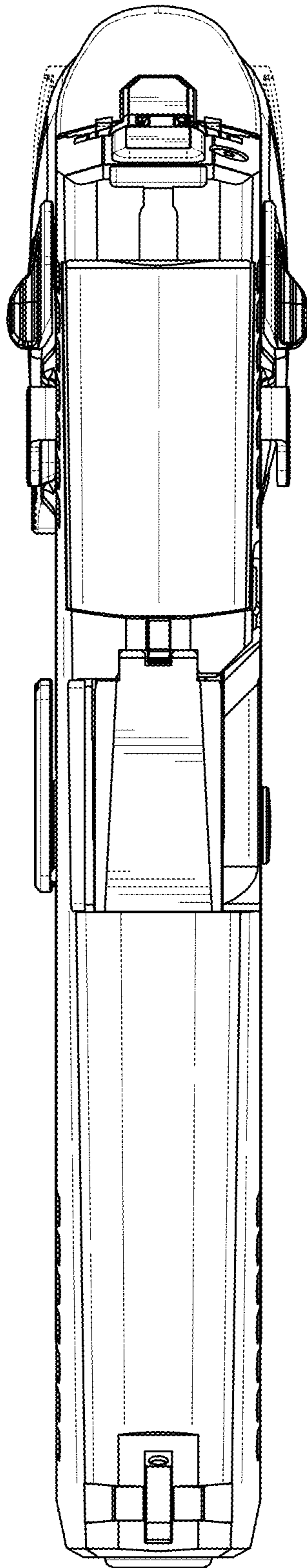


FIG. 7

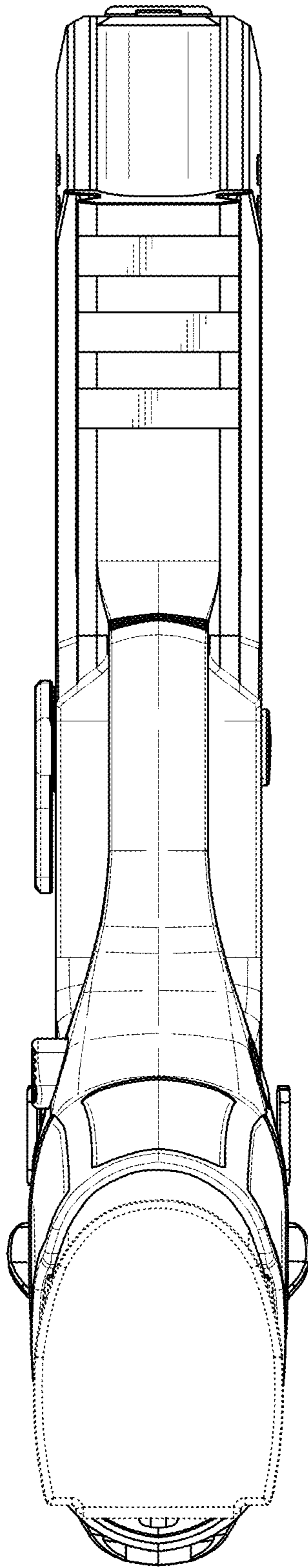


FIG. 8

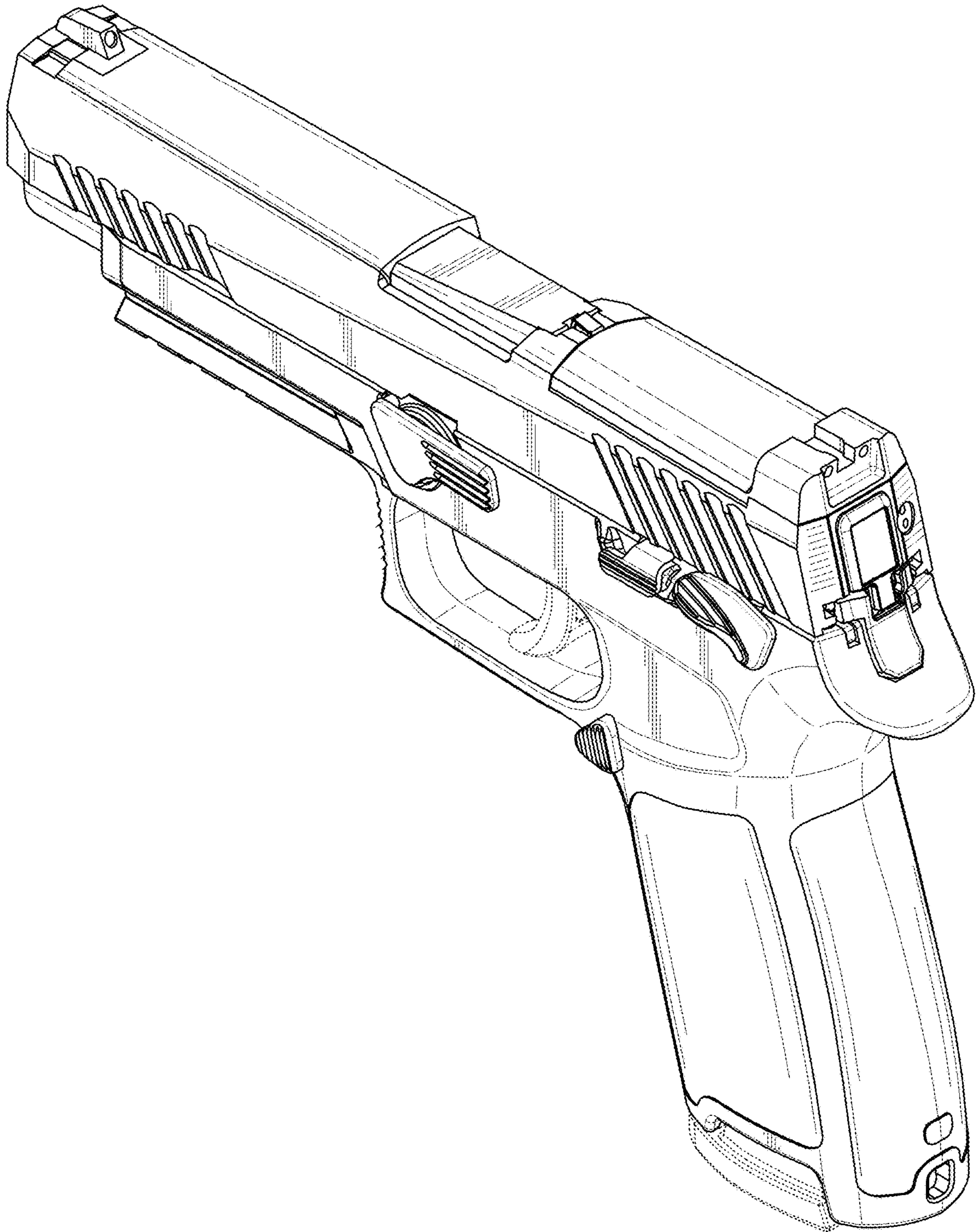


FIG. 9

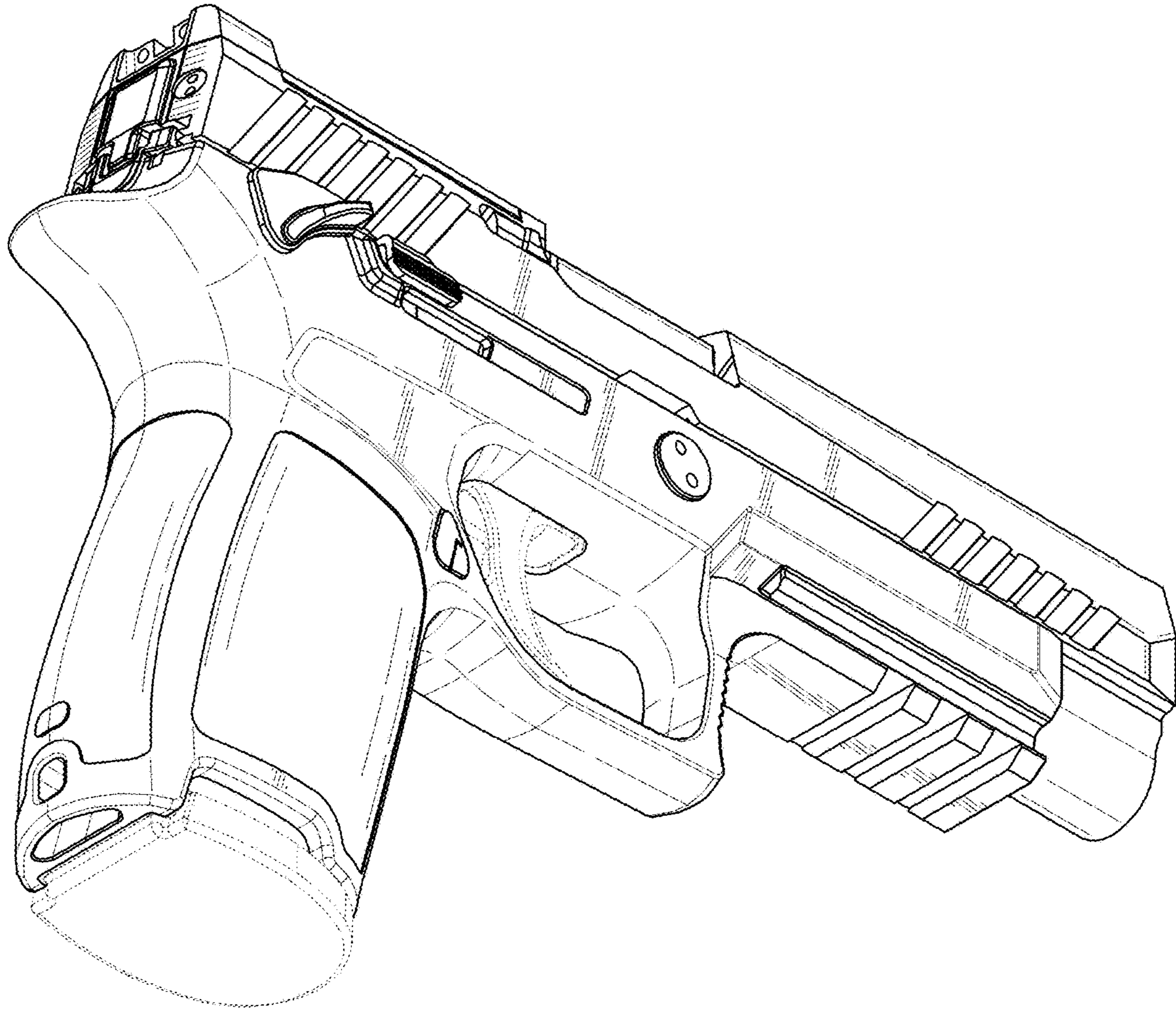


FIG. 10

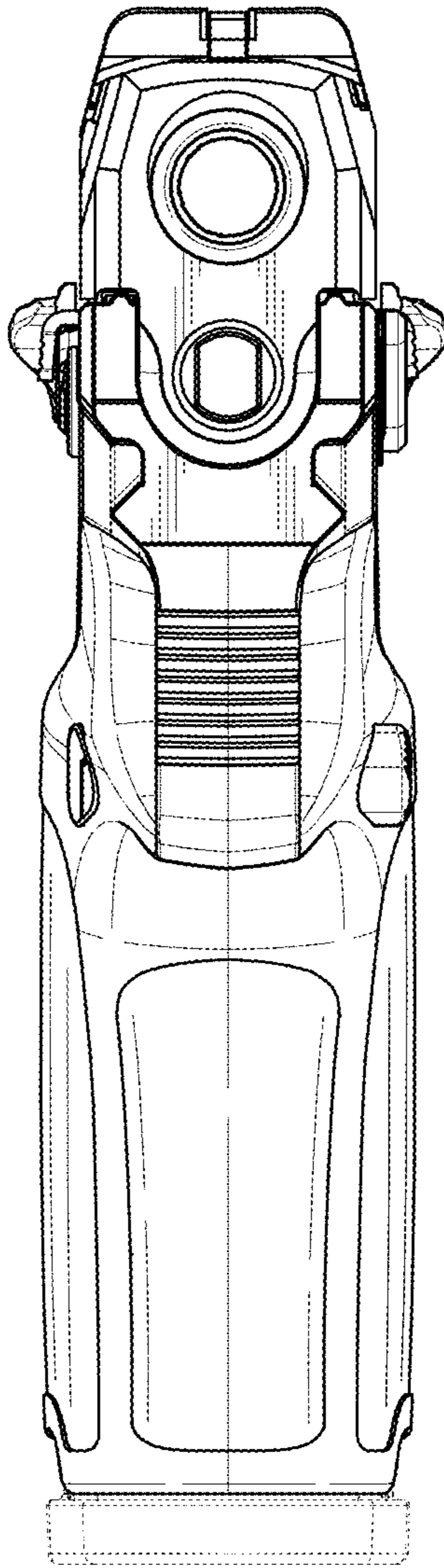


FIG. 11

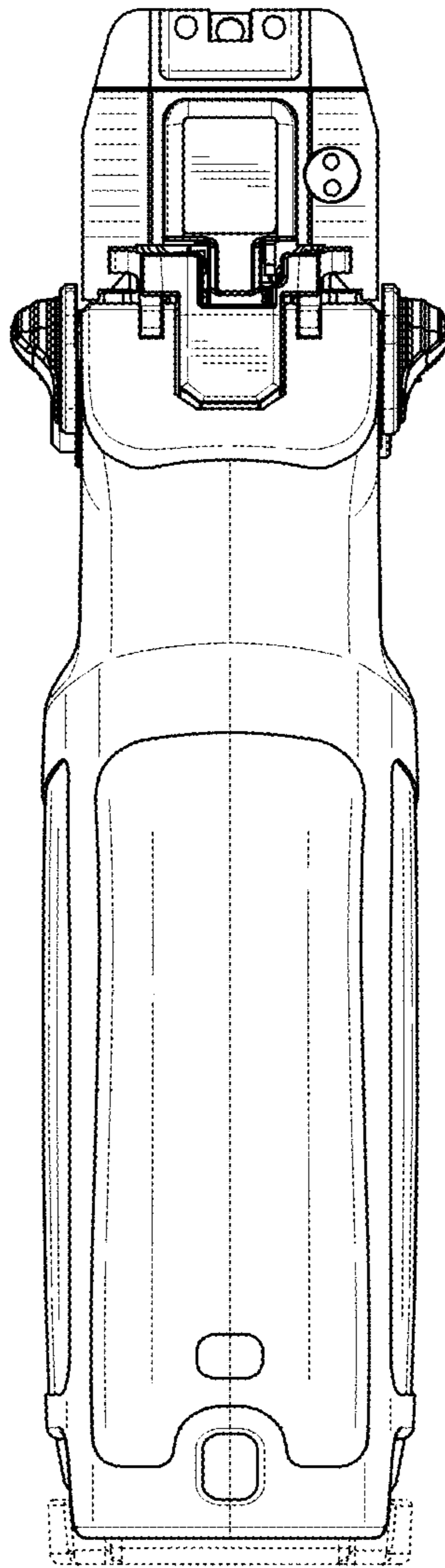


FIG. 12

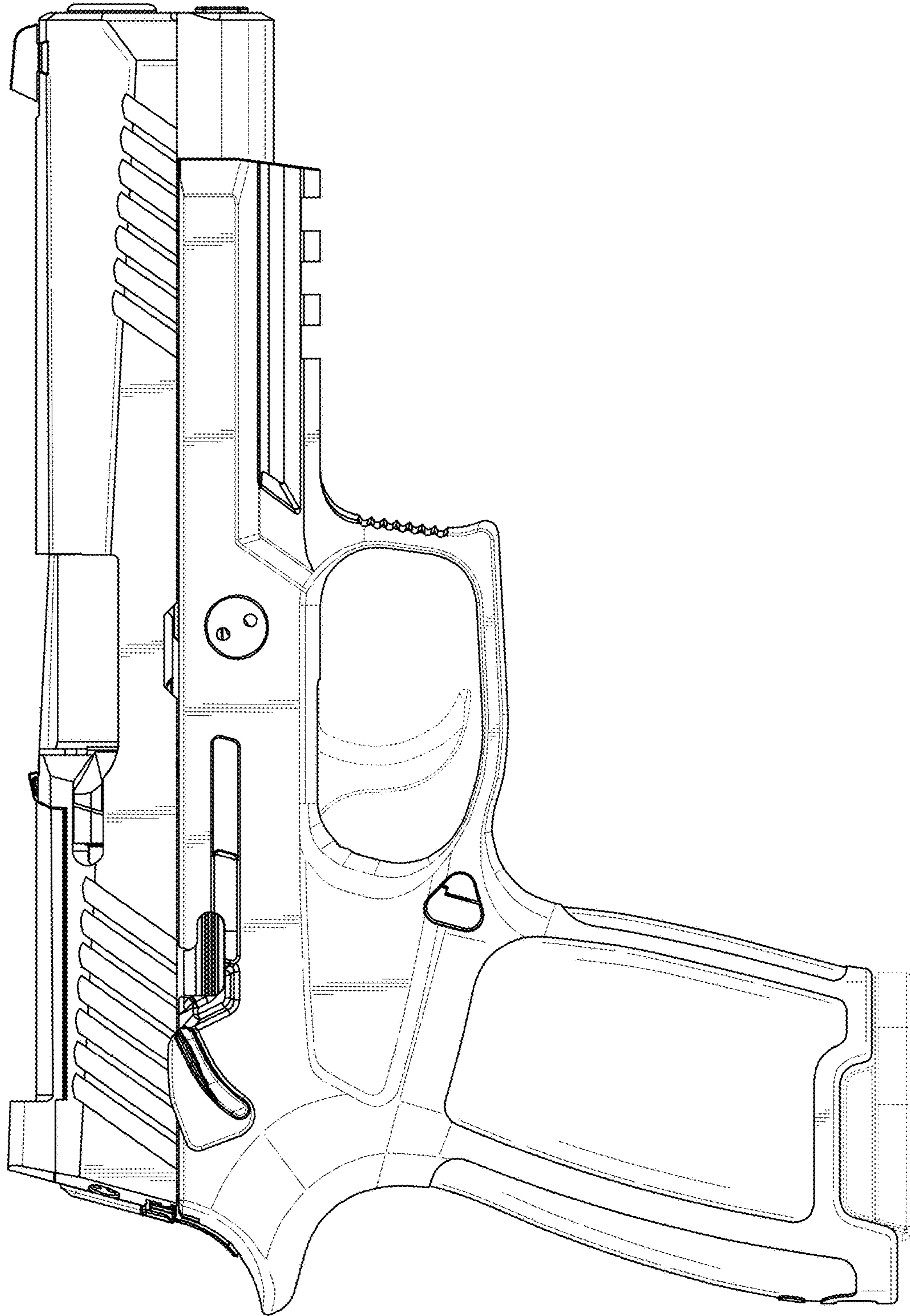


FIG. 13

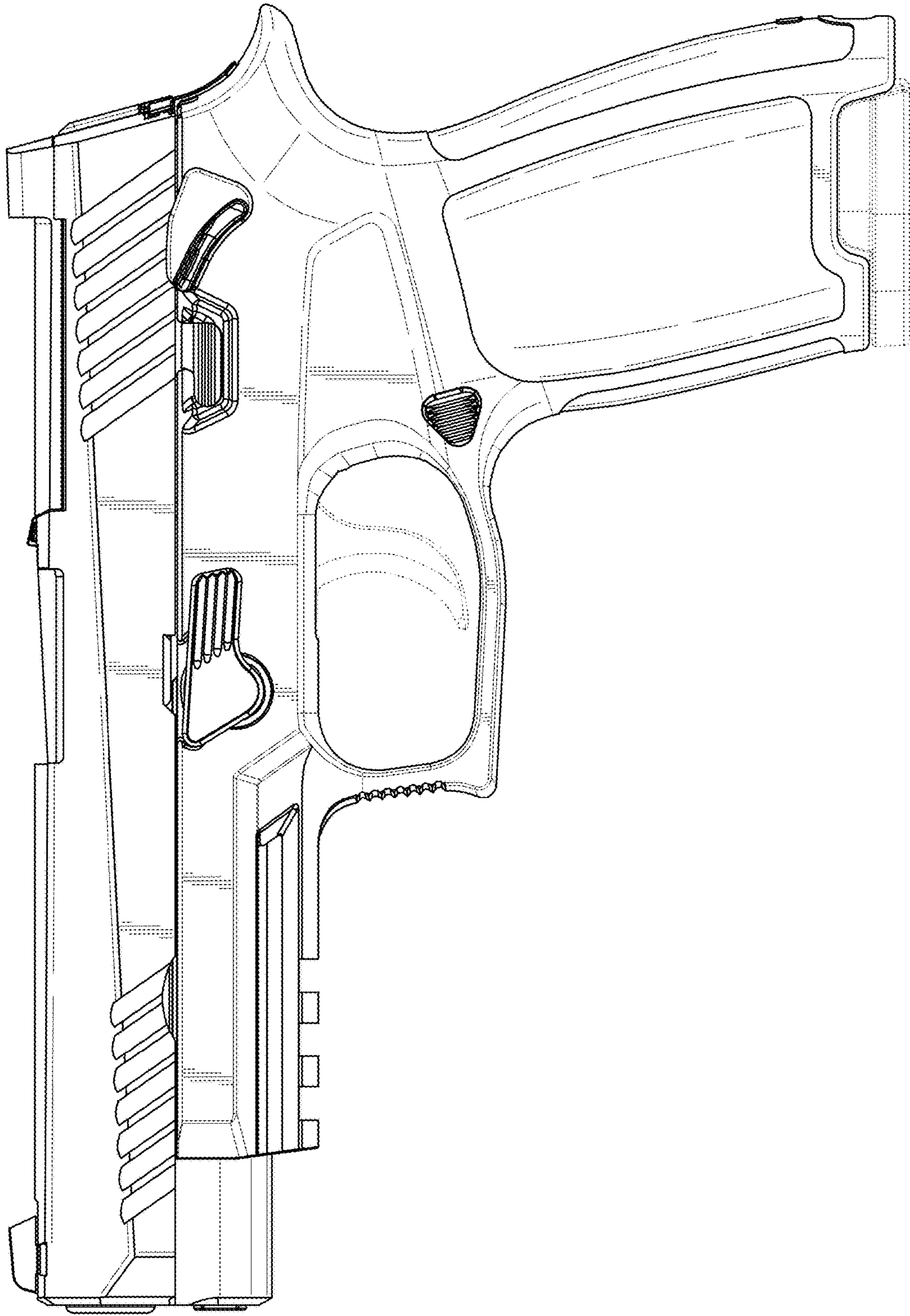


FIG. 14

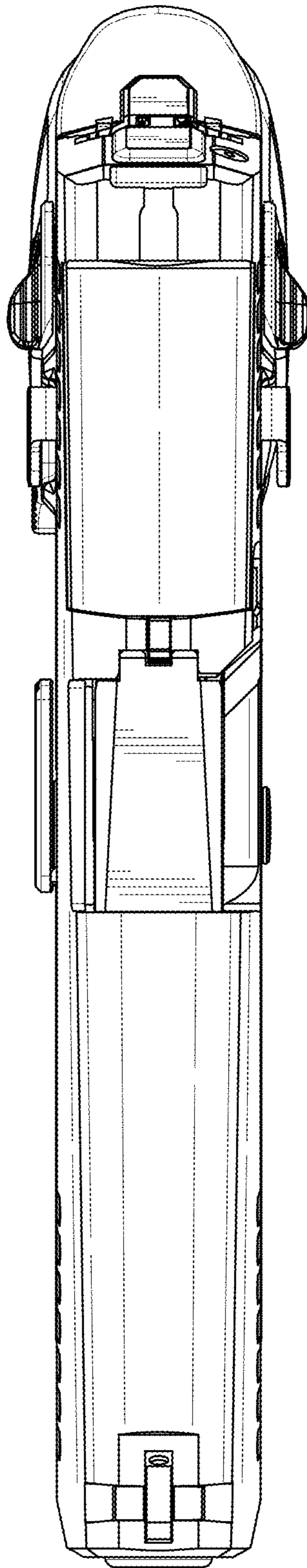


FIG. 15

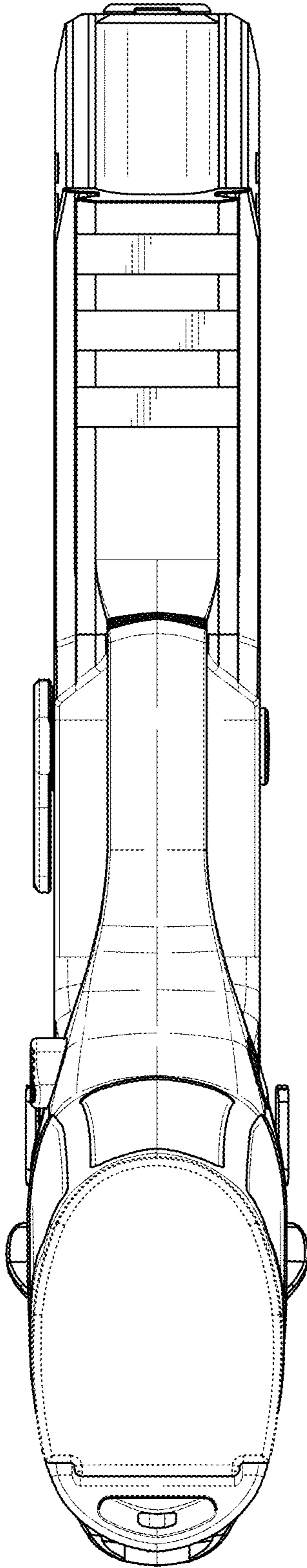


FIG. 16