



US00D815231S

(12) **United States Design Patent**
Aguilo et al.

(10) **Patent No.:** **US D815,231 S**
(45) **Date of Patent:** **** Apr. 10, 2018**

(54) **FIN ADAPTER FOR WATER CRAFT**

(71) Applicants: **David Enrique Aguilo**, Encinitas, CA
(US); **Julian Ganguli**, Carlsbad, CA
(US)

(72) Inventors: **David Enrique Aguilo**, Encinitas, CA
(US); **Julian Ganguli**, Carlsbad, CA
(US)

(**) Term: **15 Years**

(21) Appl. No.: **29/570,877**

(22) Filed: **Jul. 12, 2016**

(51) **LOC (11) Cl.** **21-02**

(52) **U.S. Cl.**
USPC **D21/771**

(58) **Field of Classification Search**
USPC D21/684-685, 760-761, 765-766,
D21/768-777, 778; D12/5, 6, 316
CPC B63B 35/79; B63B 35/73; B63B 1/00
See application file for complete search history.

(56) **References Cited**

U.S. PATENT DOCUMENTS

6,793,548	B2 *	9/2004	Jolly	B63B 35/793 441/79
7,025,645	B1 *	4/2006	Hsieh	B63B 35/793 441/79
7,285,031	B2 *	10/2007	Mair	B63B 35/793 114/140
D621,464	S *	8/2010	Durante	D21/771

D635,630	S *	4/2011	Durante	D21/771
D660,393	S *	5/2012	Bradley	D21/771
D663,000	S *	7/2012	Trotter	D21/771
D755,320	S *	5/2016	Aguilo	D21/771

* cited by examiner

Primary Examiner — Zenia Bennett

(57) **CLAIM**

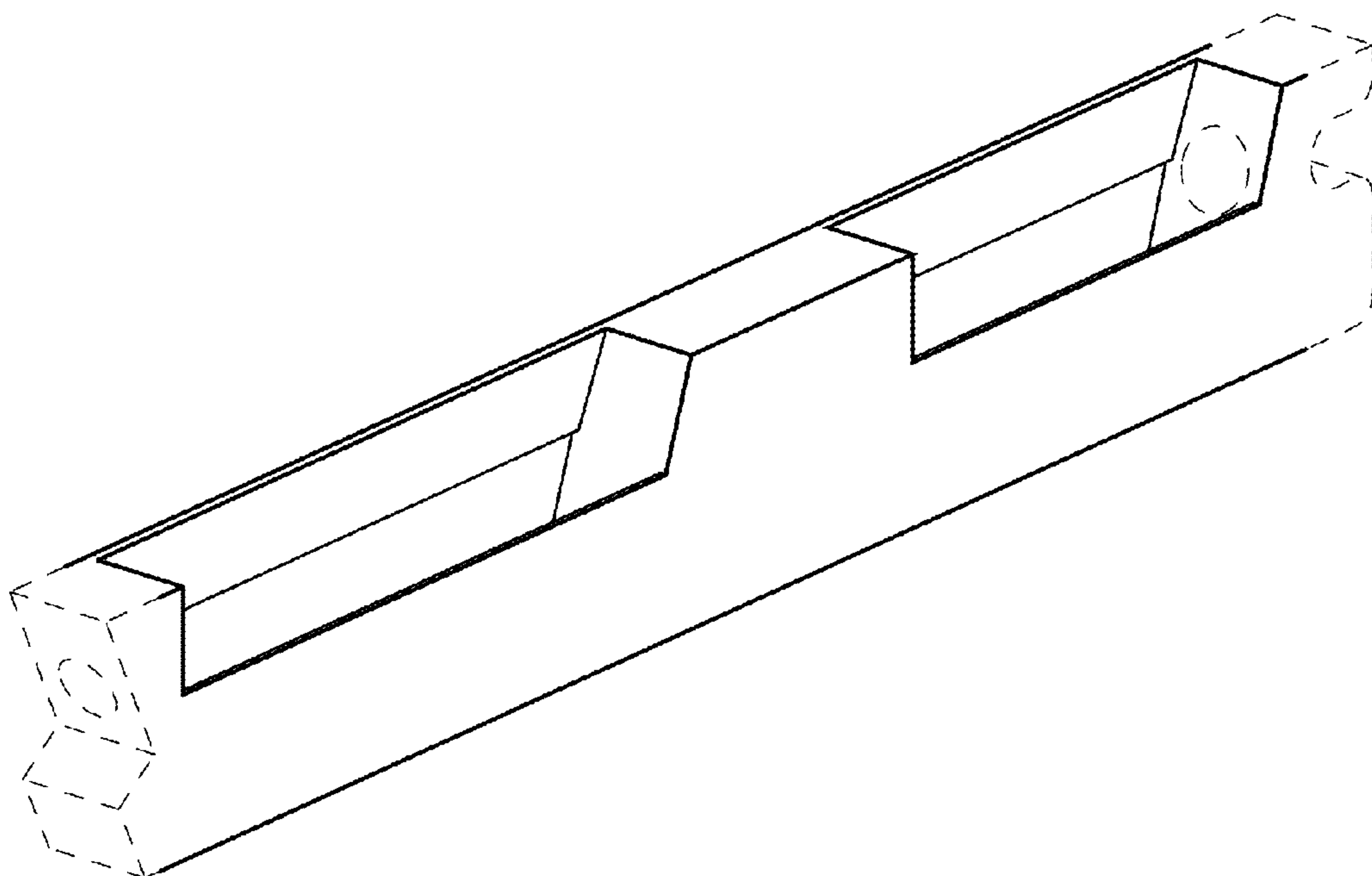
The ornamental design for a fin adapter for water craft, as shown and described.

DESCRIPTION

FIG. 1 is a front left side perspective view of the first embodiment of a fin adapter for water craft showing our new design;
 FIG. 2 is a bottom left side perspective view of the first embodiment of our new design;
 FIG. 3 is a left side view of the first embodiment of our new design;
 FIG. 4 is a front view of the first embodiment of our new design;
 FIG. 5 is a right side view of the first embodiment of our new design;
 FIG. 6 is a rear view of the first embodiment of our new design;
 FIG. 7 is a top view of the first embodiment of our new design; and,
 FIG. 8 is a bottom view of the first embodiment of our new design.

The broken lines in the drawing are for illustrative purposes only and form no part of the claimed design.

1 Claim, 8 Drawing Sheets



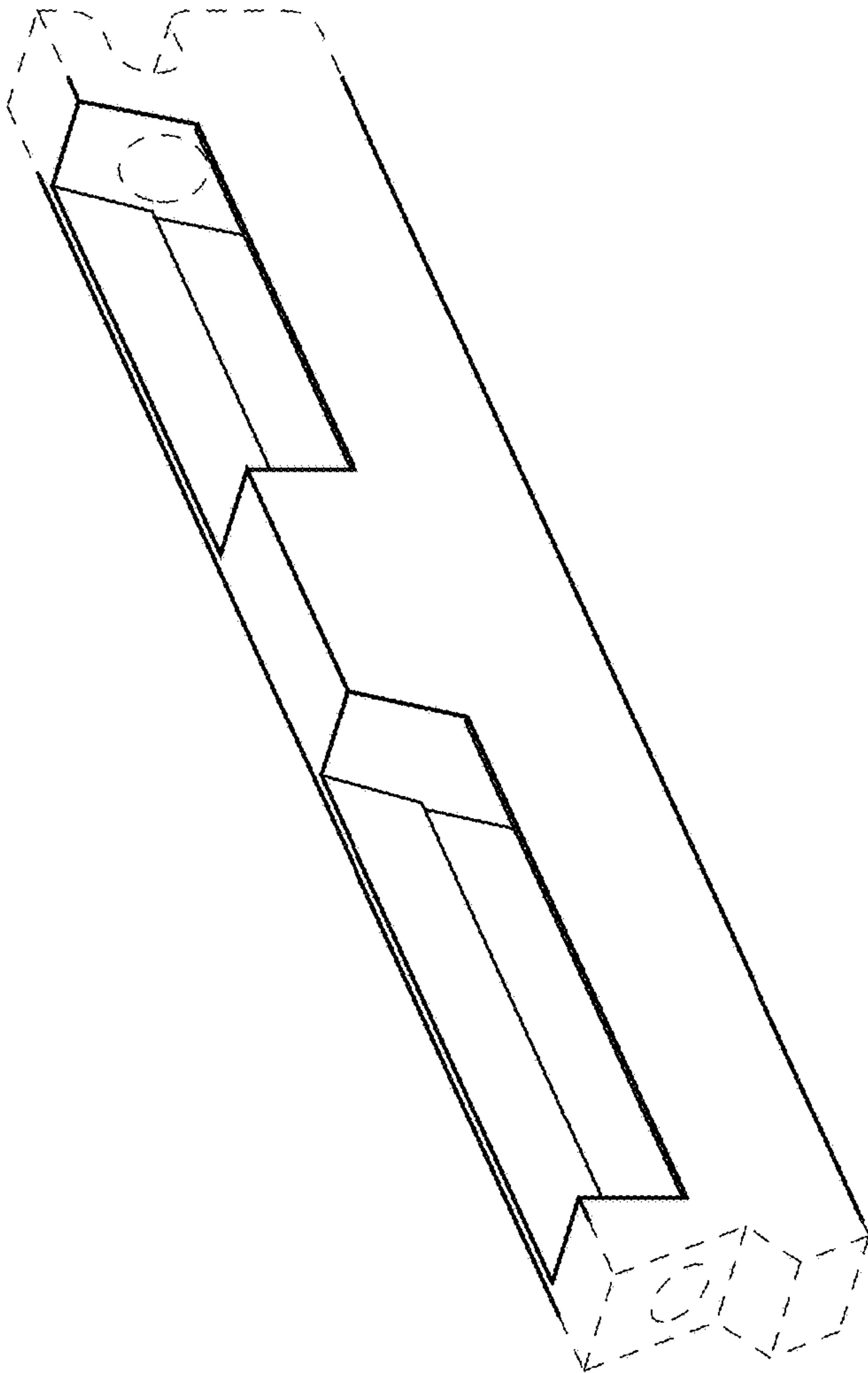


FIGURE 1

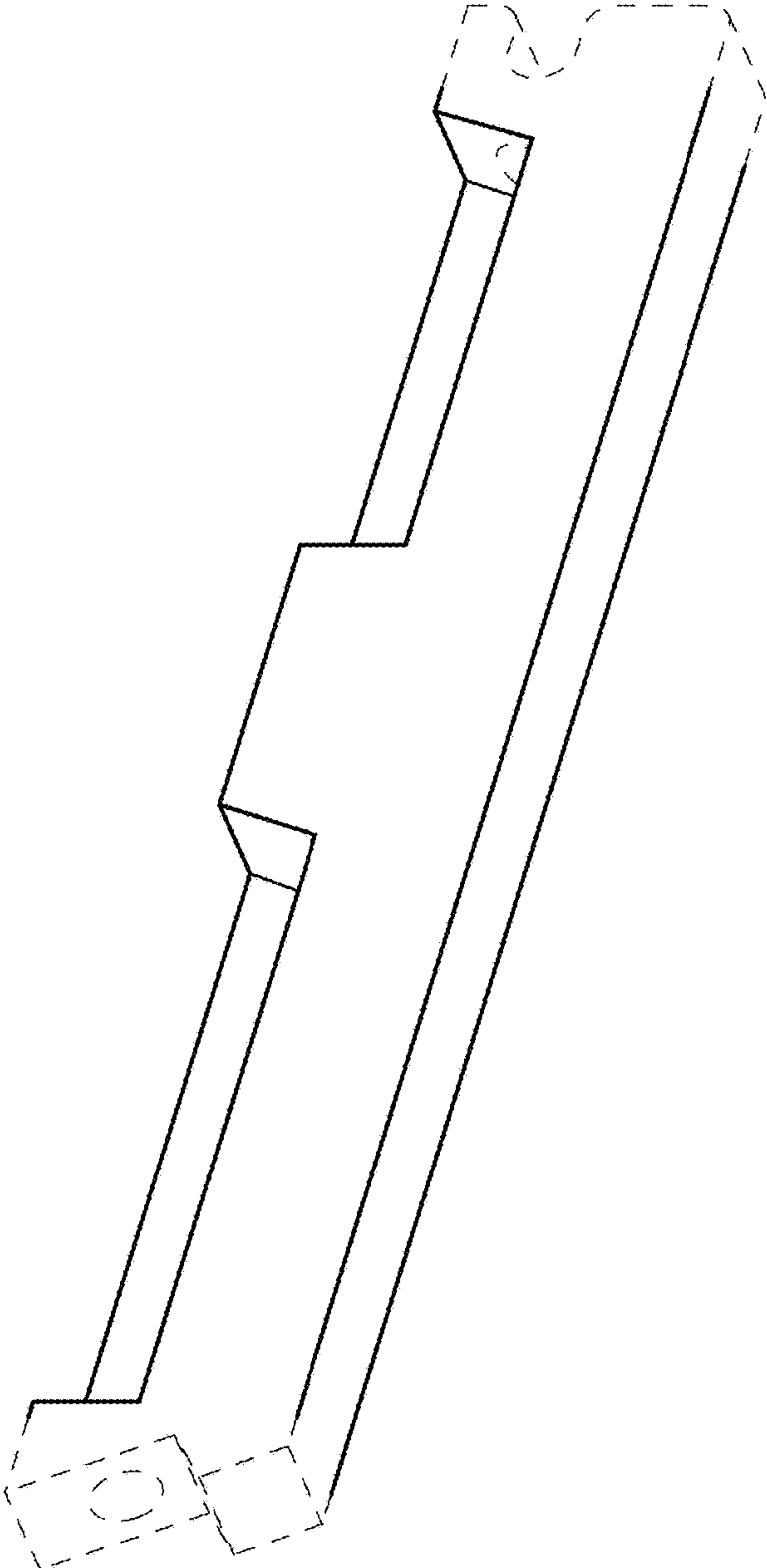


FIGURE 2

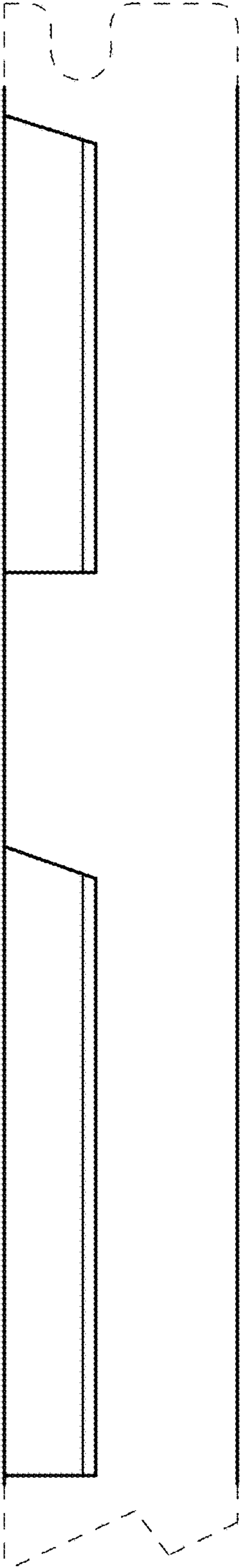


FIGURE 3



FIGURE 4

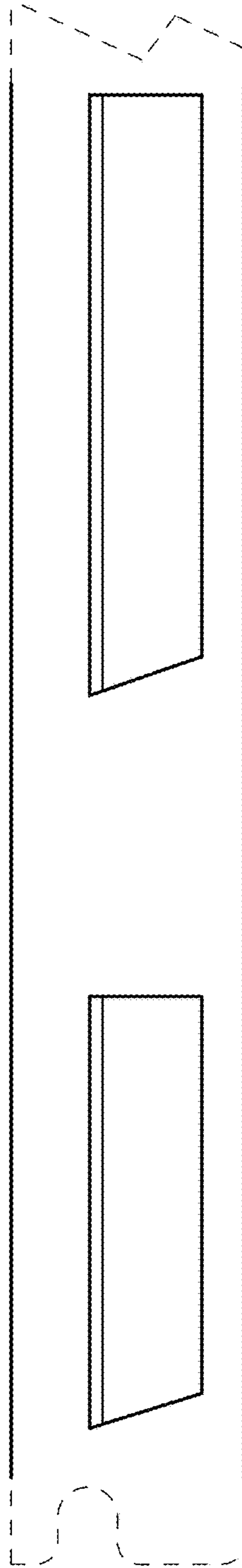


FIGURE 5



FIGURE 6

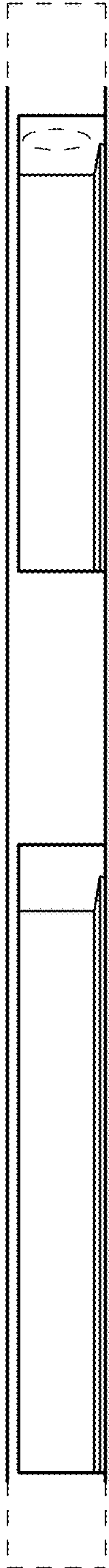


FIGURE 7

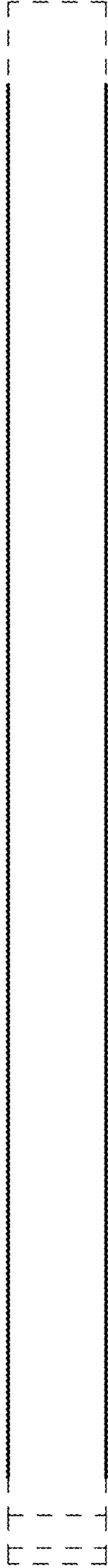


FIGURE 8