



US00D815228S

(12) **United States Design Patent**  
**Ma**

(10) **Patent No.:** **US D815,228 S**

(45) **Date of Patent:** **\*\* Apr. 10, 2018**

- (54) **FOOT-DECK BASED VEHICLE**
- (71) Applicant: **Koofy Development Limited**, West Avenue (CN)
- (72) Inventor: **Ondy Song Qi Ma**, Hong Kong (CN)
- (73) Assignee: **KOOFY INNOVATION LIMITED**, Hong Kong (CN)
- (\*\*) Term: **15 Years**
- (21) Appl. No.: **29/586,306**
- (22) Filed: **Dec. 2, 2016**
- (51) **LOC (11) Cl.** ..... **21-02**
- (52) **U.S. Cl.**  
USPC ..... **D21/765**
- (58) **Field of Classification Search**  
USPC ..... D21/419, 421, 423, 426, 662, 760, 765, D21/766, 769, 771, 776; D12/1; 280/7.14, 11.115, 11.19, 11.27, 87.042, 280/610; 434/247, 253, 258; D34/23, D34/28; 180/181; 446/462; 482/92, 482/146; 701/22  
CPC ..... A63C 17/01; A63C 17/011; A63C 17/012; A63C 17/014; A63C 17/015; A63C 17/02; A63C 17/26; A63C 5/003; B60Q 1/326; B62K 3/001  
See application file for complete search history.

- D797,875 S \* 9/2017 Ma ..... D21/760
- 9,802,109 B2 \* 10/2017 Doerksen ..... A63C 17/12
- D802,693 S \* 11/2017 Lu ..... D21/765
- 2007/0254789 A1 \* 11/2007 Odien ..... A63B 21/0058  
482/146
- 2010/0330876 A1 \* 12/2010 Carlson ..... A63H 17/26  
446/462
- 2015/0107922 A1 \* 4/2015 Bigler ..... A63C 17/12  
180/181
- 2016/0121198 A1 \* 5/2016 Doerksen ..... A63C 17/01  
701/22

\* cited by examiner

*Primary Examiner* — Vy Koenig  
*Assistant Examiner* — Keith Wilson  
(74) *Attorney, Agent, or Firm* — Millman IP Inc.

(57) **CLAIM**

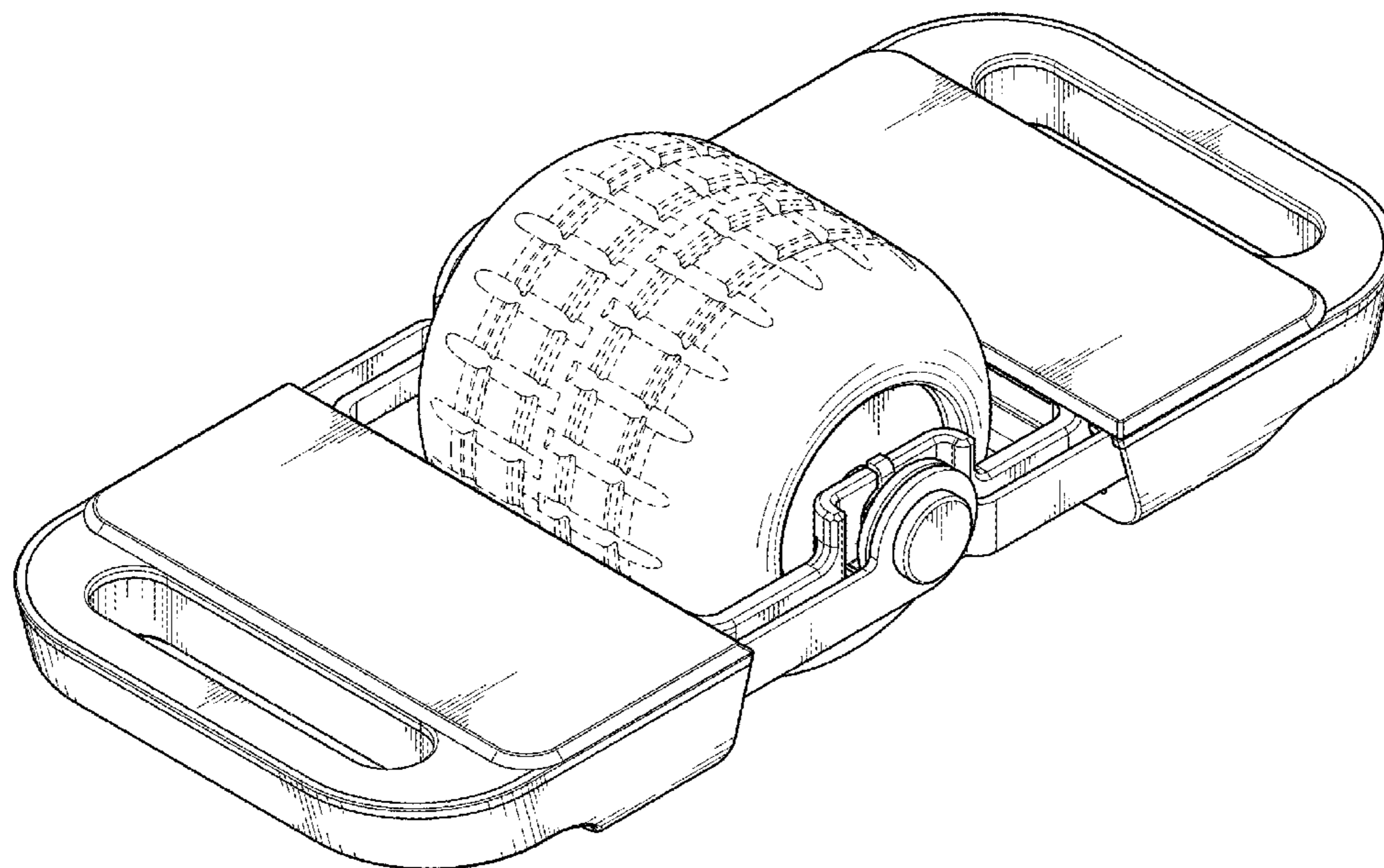
The ornamental design for a foot-deck based vehicle, as shown and described.

**DESCRIPTION**

FIG. 1 is a perspective view from above, to the front and to one side of the new design for a foot-deck based vehicle; FIG. 2 is a perspective view from below, to the front and to one side thereof; FIG. 3 is a top view thereof; FIG. 4 is a left side view thereof; FIG. 5 is a front view thereof; FIG. 6 is a bottom side view thereof; FIG. 7 is a right side view thereof; and, FIG. 8 is a rear view thereof.  
The portions of the foot-deck based vehicle depicted in broken lines have been shown for the purpose of illustrating portions of the foot-deck based vehicle that form no part of the claimed design.

**1 Claim, 8 Drawing Sheets**

- (56) **References Cited**  
U.S. PATENT DOCUMENTS  
D704,786 S \* 5/2014 Tang ..... D21/765  
D746,928 S \* 1/2016 Doerksen ..... D21/765  
D768,252 S \* 10/2016 Bigler ..... D21/760  
D769,997 S \* 10/2016 Doerksen ..... D21/765



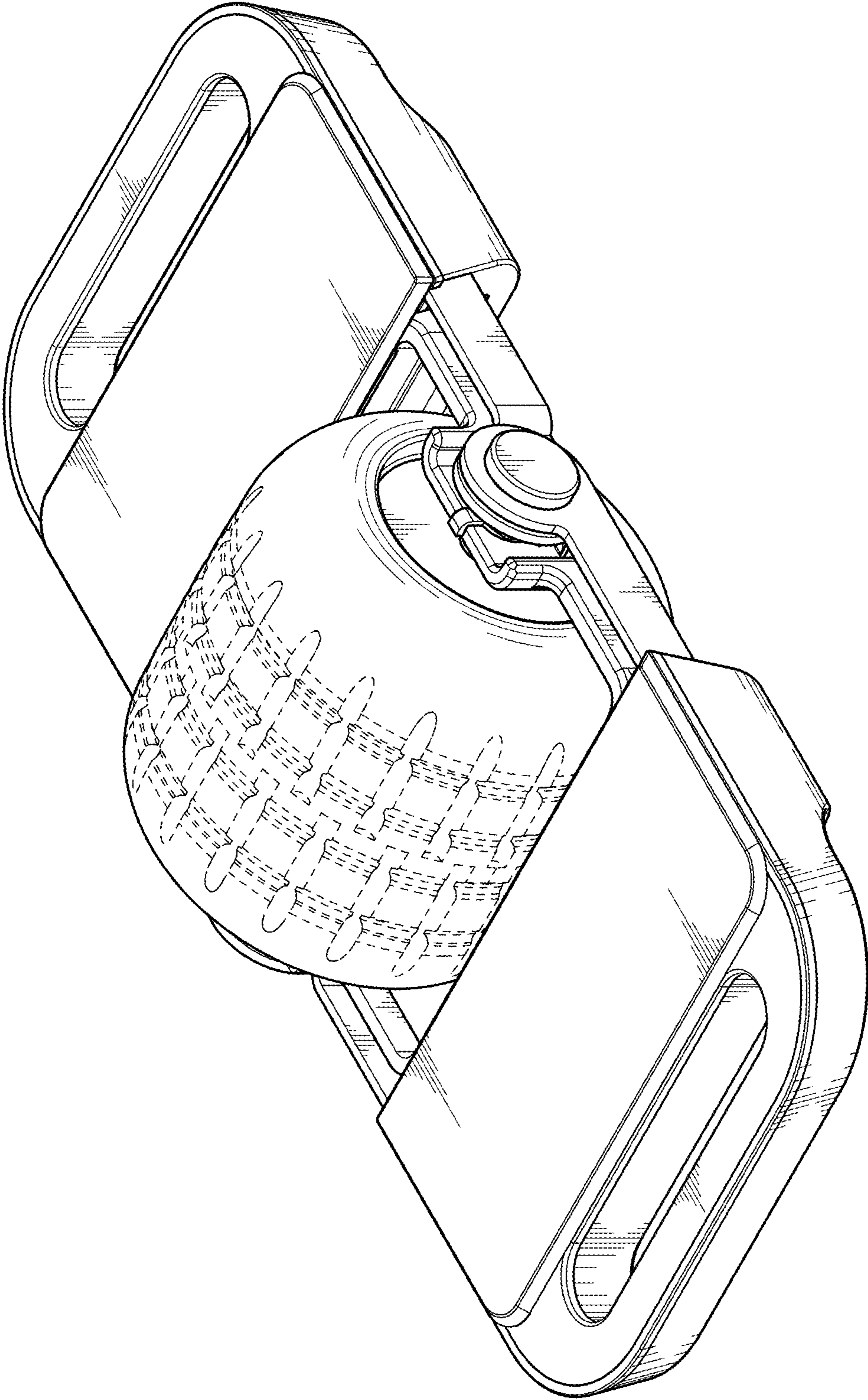
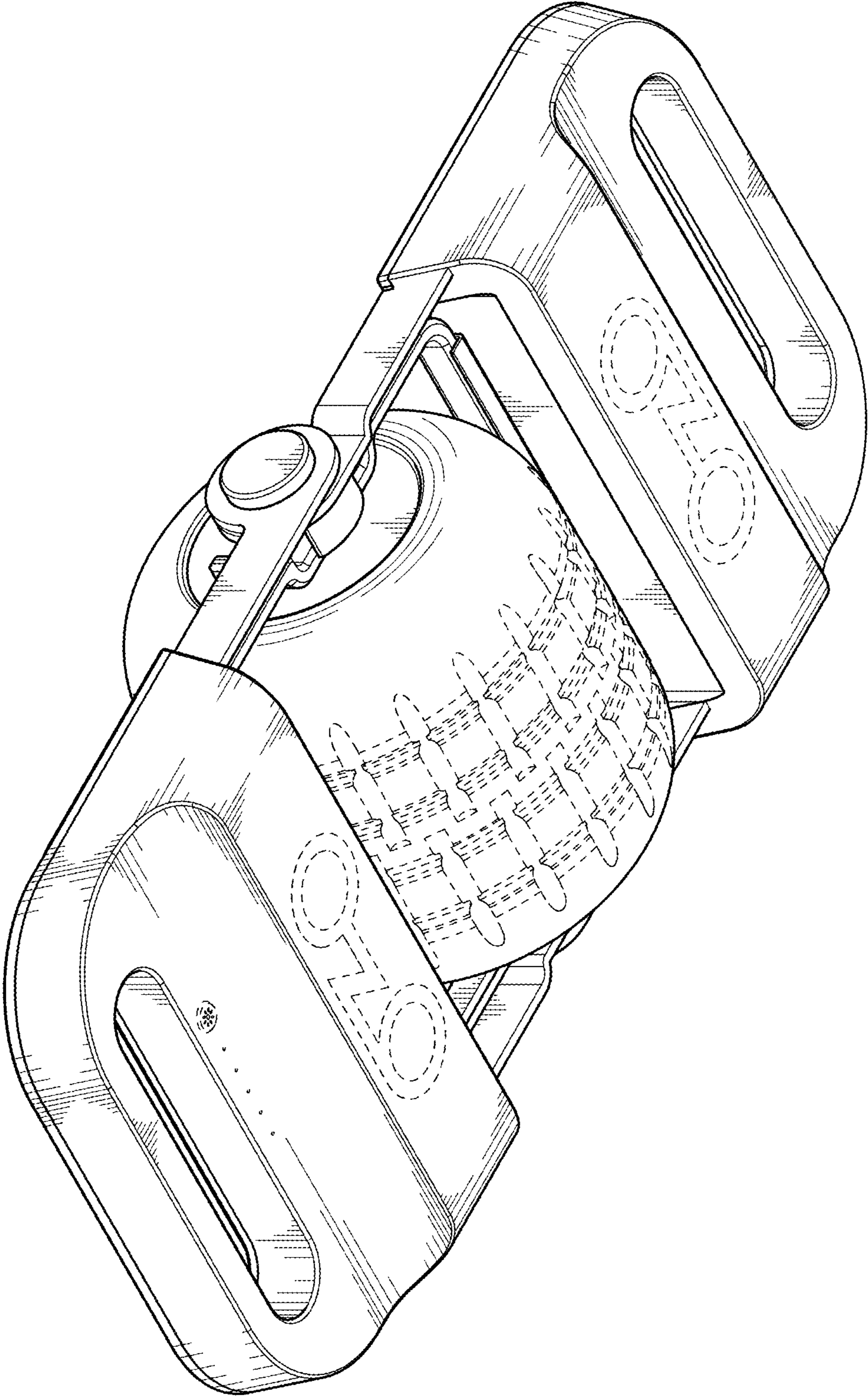


FIG. 1



FIG. 2



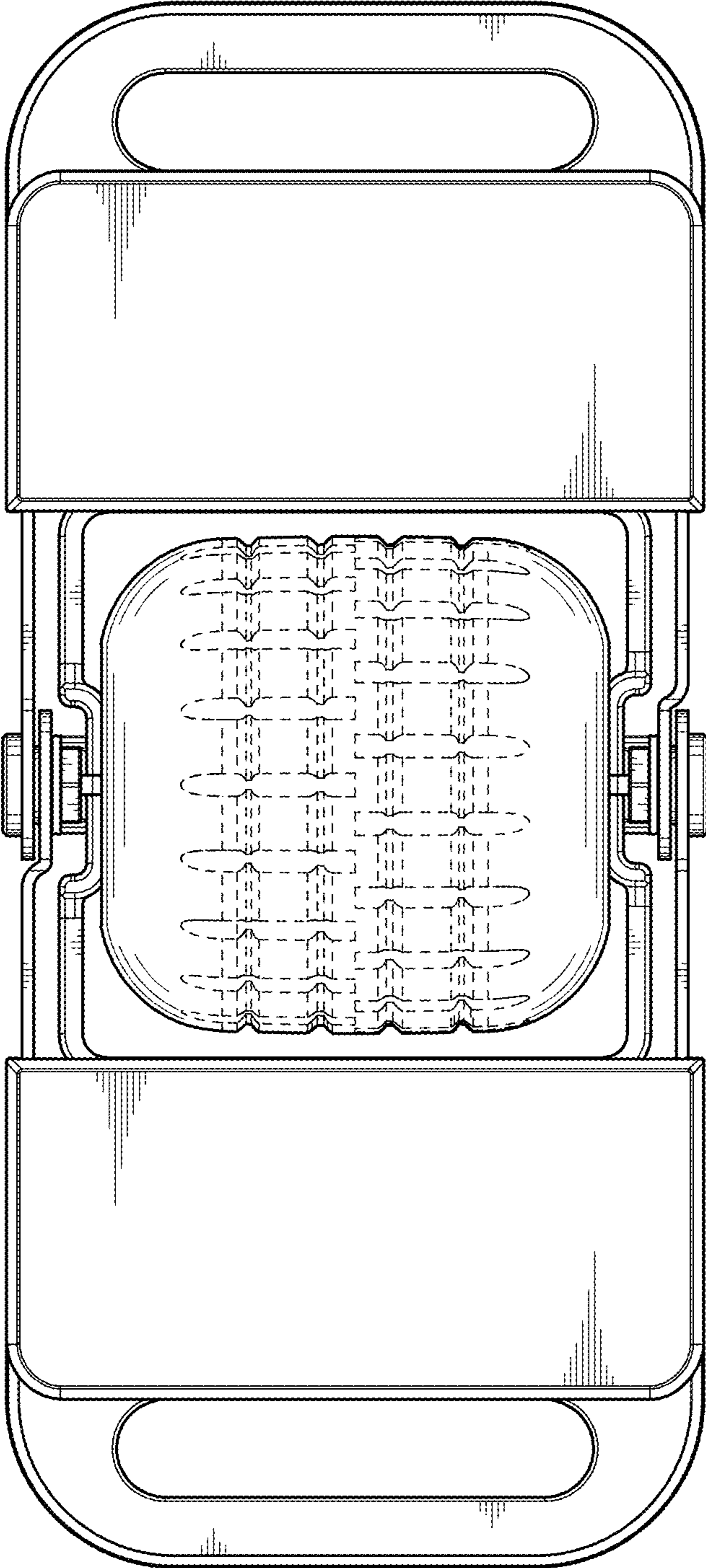
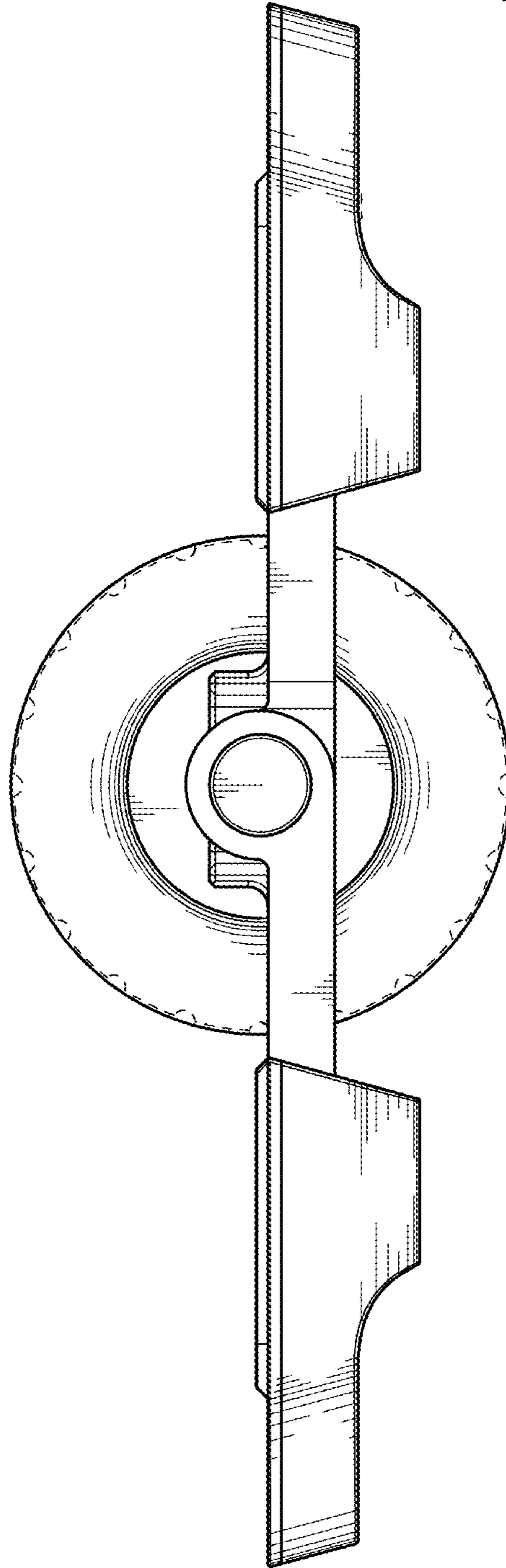


FIG. 3



**FIG. 4**

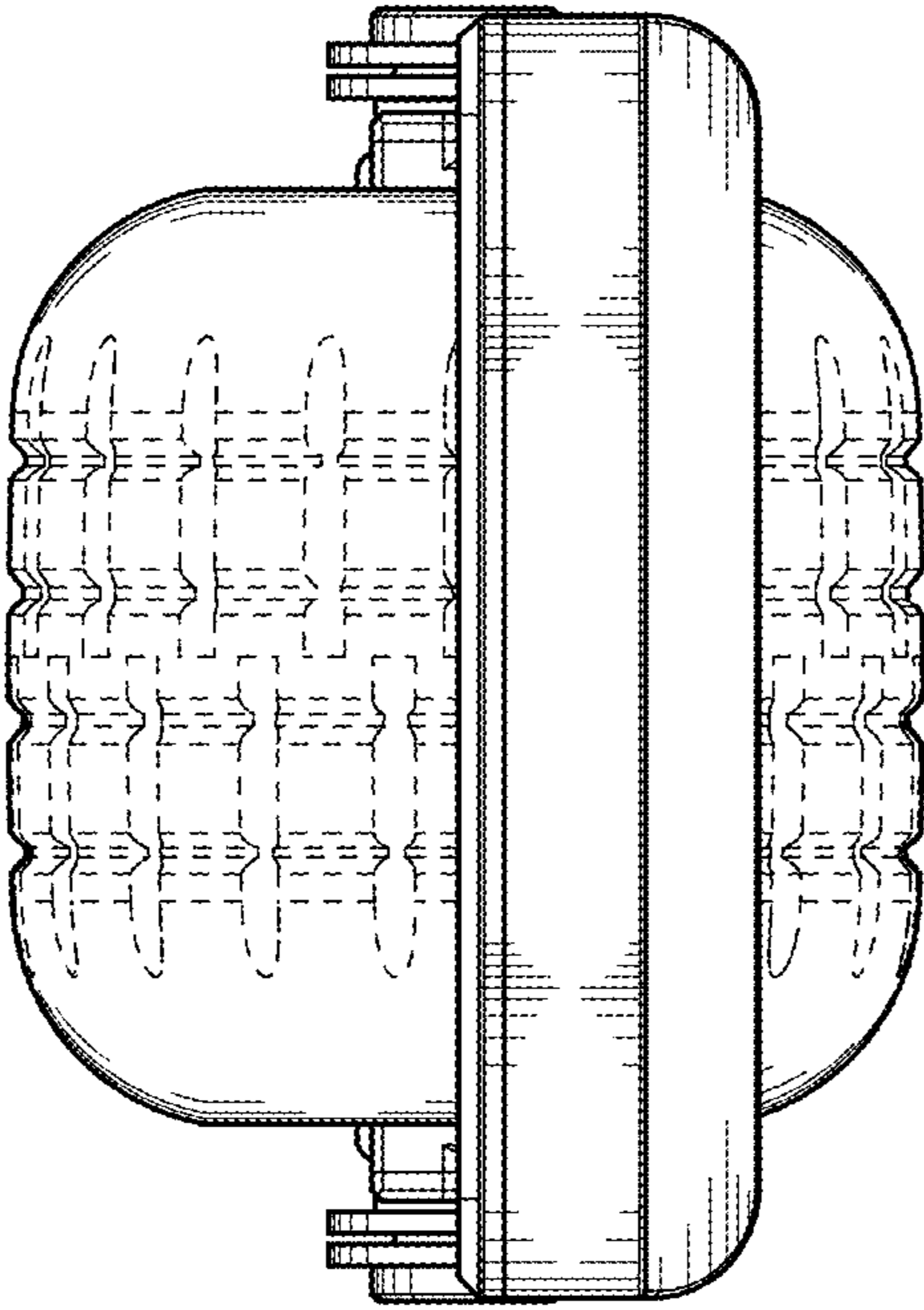


FIG. 5



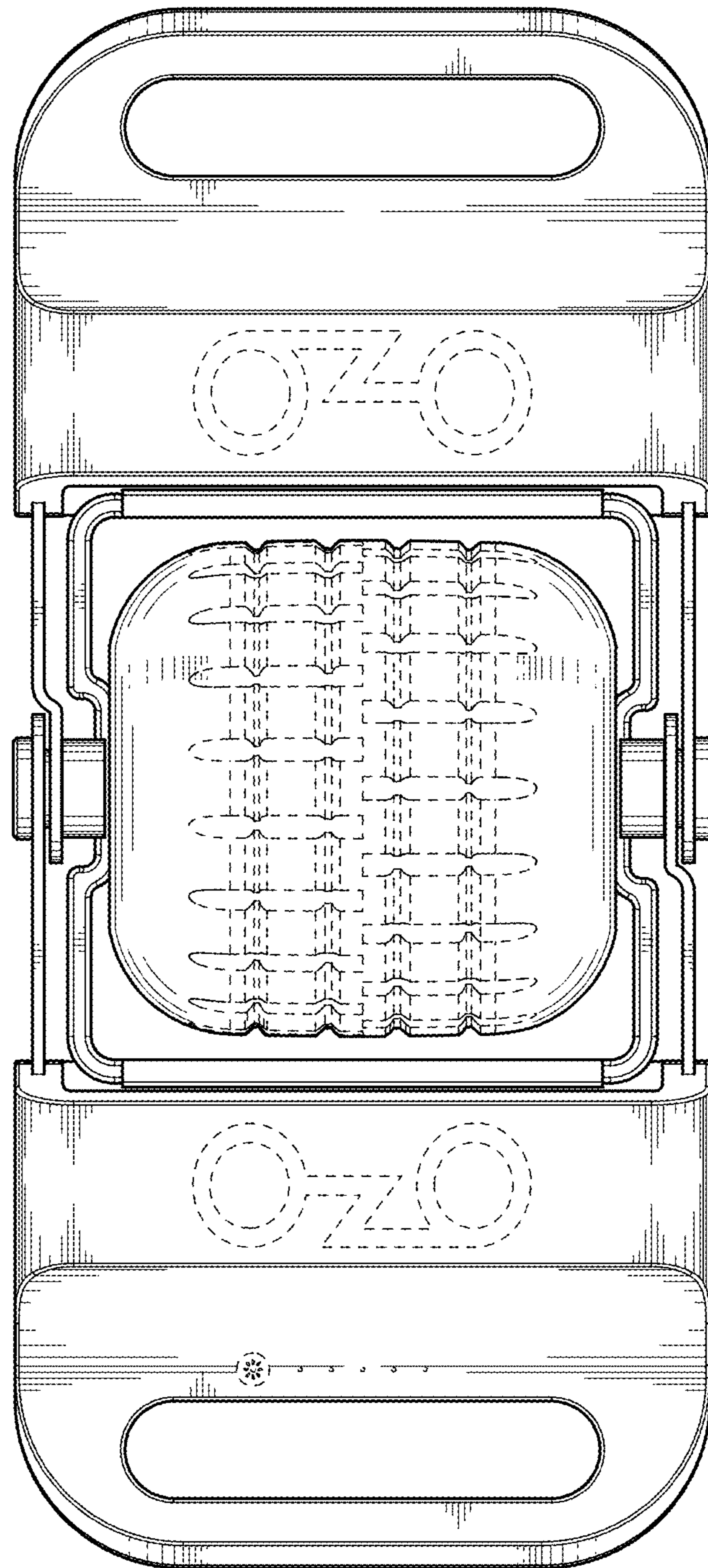
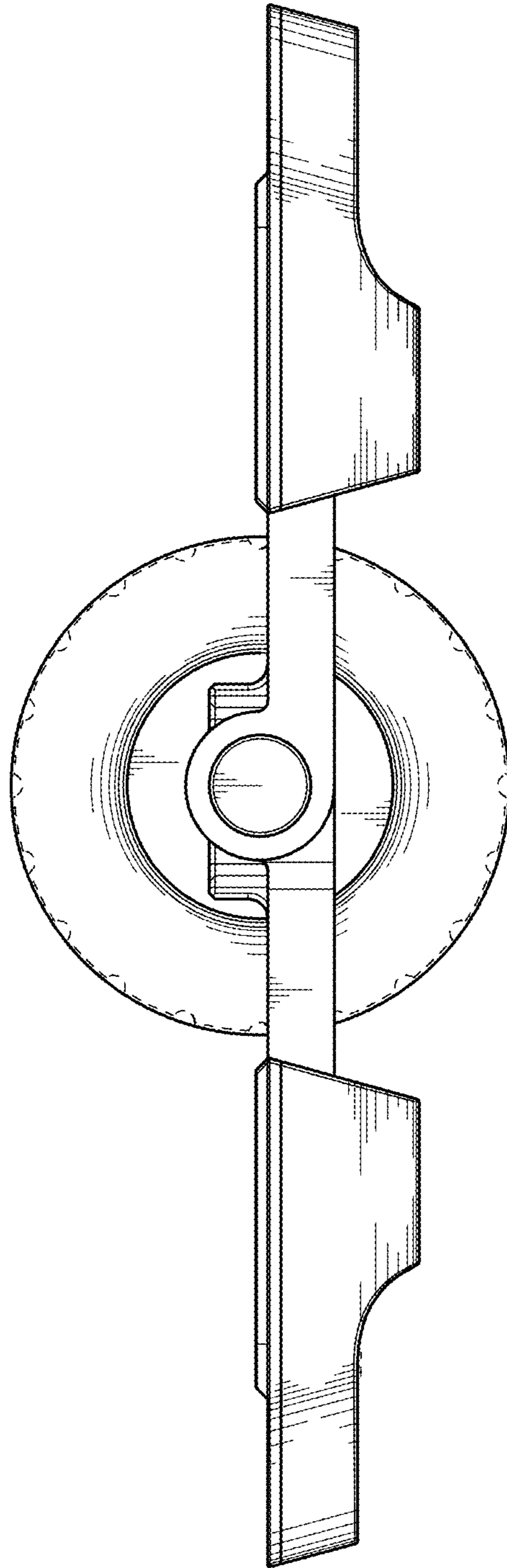
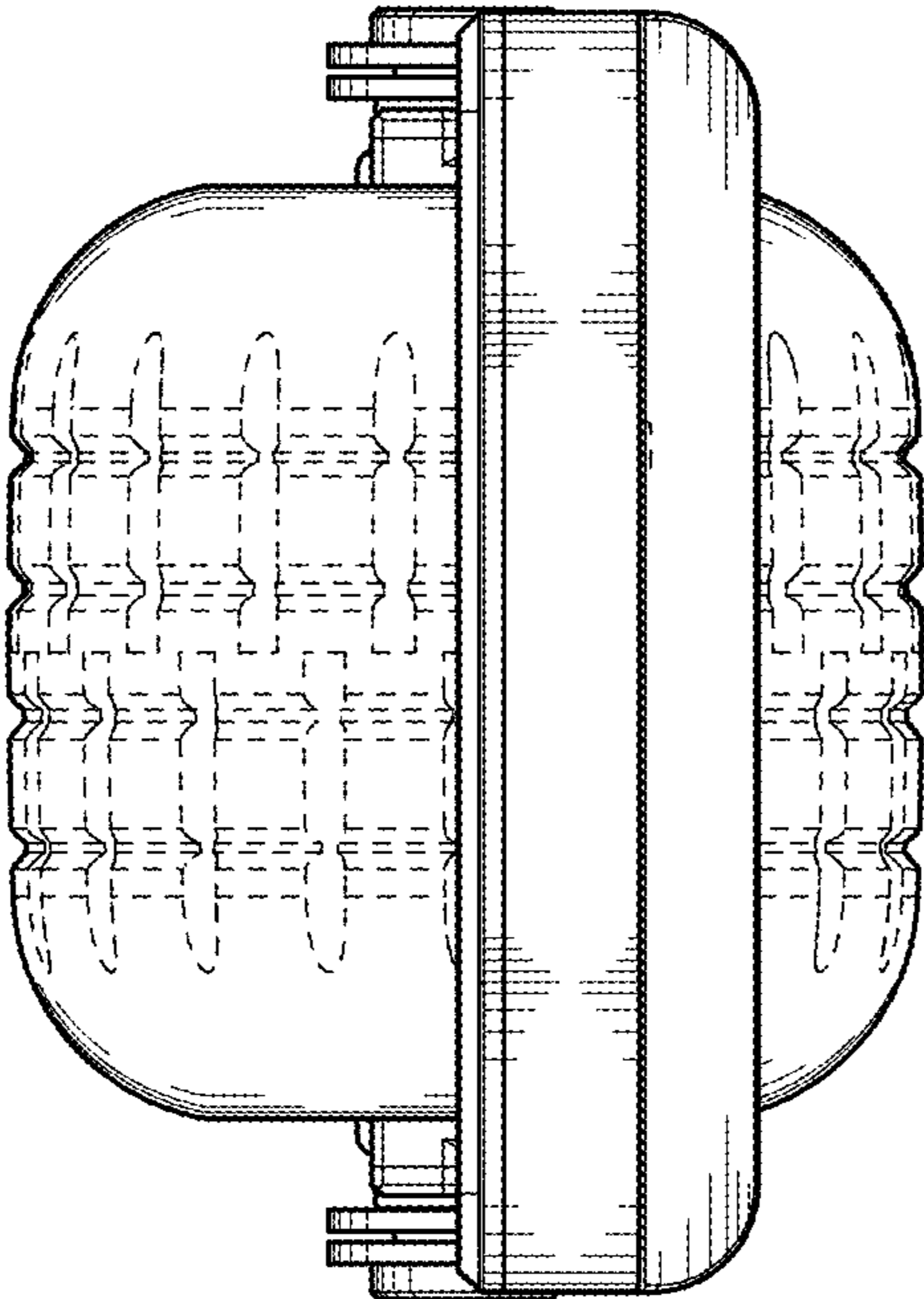


FIG. 6



**FIG. 7**





**FIG.8**