



US00D815226S

(12) **United States Design Patent**
Treadway et al.

(10) **Patent No.:** **US D815,226 S**
(45) **Date of Patent:** **** Apr. 10, 2018**

(54) **BATTERY POWERED SKATEBOARD**

(71) Applicant: **Acton, Inc.**, Mountain View, CA (US)

(72) Inventors: **Peter Treadway**, Sunnyvale, CA (US);
Janelle Wang Treadway, Sunnyvale, CA (US)

(73) Assignee: **Action, Inc.**, Mountain View, CA (US)

(**) Term: **15 Years**

(21) Appl. No.: **29/581,214**

(22) Filed: **Oct. 17, 2016**

(51) **LOC (11) Cl.** **21-02**

(52) **U.S. Cl.**
USPC **D21/765**

(58) **Field of Classification Search**
USPC D21/419, 421, 423, 426, 662, 760, 765,
D21/766, 769, 771, 776; D12/1;
280/7.14, 11.115, 11.19, 11.27, 87.042,
280/610; 434/247, 253, 258; D34/23,
D34/28; 180/181
CPC A63C 17/01; A63C 17/011; A63C 17/012;
A63C 17/014; A63C 17/015; A63C
17/02; A63C 17/26; A63C 5/003; B60Q
1/326; B62K 3/001
See application file for complete search history.

(56) **References Cited**

U.S. PATENT DOCUMENTS

D200,917 S *	4/1965	Markham	280/87.042
4,337,963 A *	7/1982	Stevenson	A63C 17/017
				280/610
D422,661 S *	4/2000	Edwards	D21/765
D558,290 S *	12/2007	Findling	D21/765
D629,859 S *	12/2010	Buksa	D21/765
D649,615 S *	11/2011	Scott	D21/769
D679,768 S *	4/2013	Dye	D21/765

D692,079 S *	10/2013	Mackay	D21/765
D705,372 S *	5/2014	Harris	D21/765
8,936,263 B2 *	1/2015	Rawlins	A63C 17/0093
				280/87.042
D724,166 S *	3/2015	Hamborg	D21/765
D731,016 S *	6/2015	Scott	D21/769
D745,617 S *	12/2015	Jensen	D21/765
D751,160 S *	3/2016	Tian	D21/765
9,415,296 B1 *	8/2016	Miller	A63C 17/26
D785,739 S *	5/2017	Nay	D21/779
9,707,469 B2 *	7/2017	Roland	A63C 17/012
D797,227 S *	9/2017	Treadway	D21/765
D798,407 S *	9/2017	Pang	D21/765
9,827,482 B2 *	11/2017	Mackay	A63C 17/01
2014/0027192 A1 *	1/2014	King	A63C 17/12
				180/181

* cited by examiner

Primary Examiner — Vy Koenig
Assistant Examiner — Keith Wilson

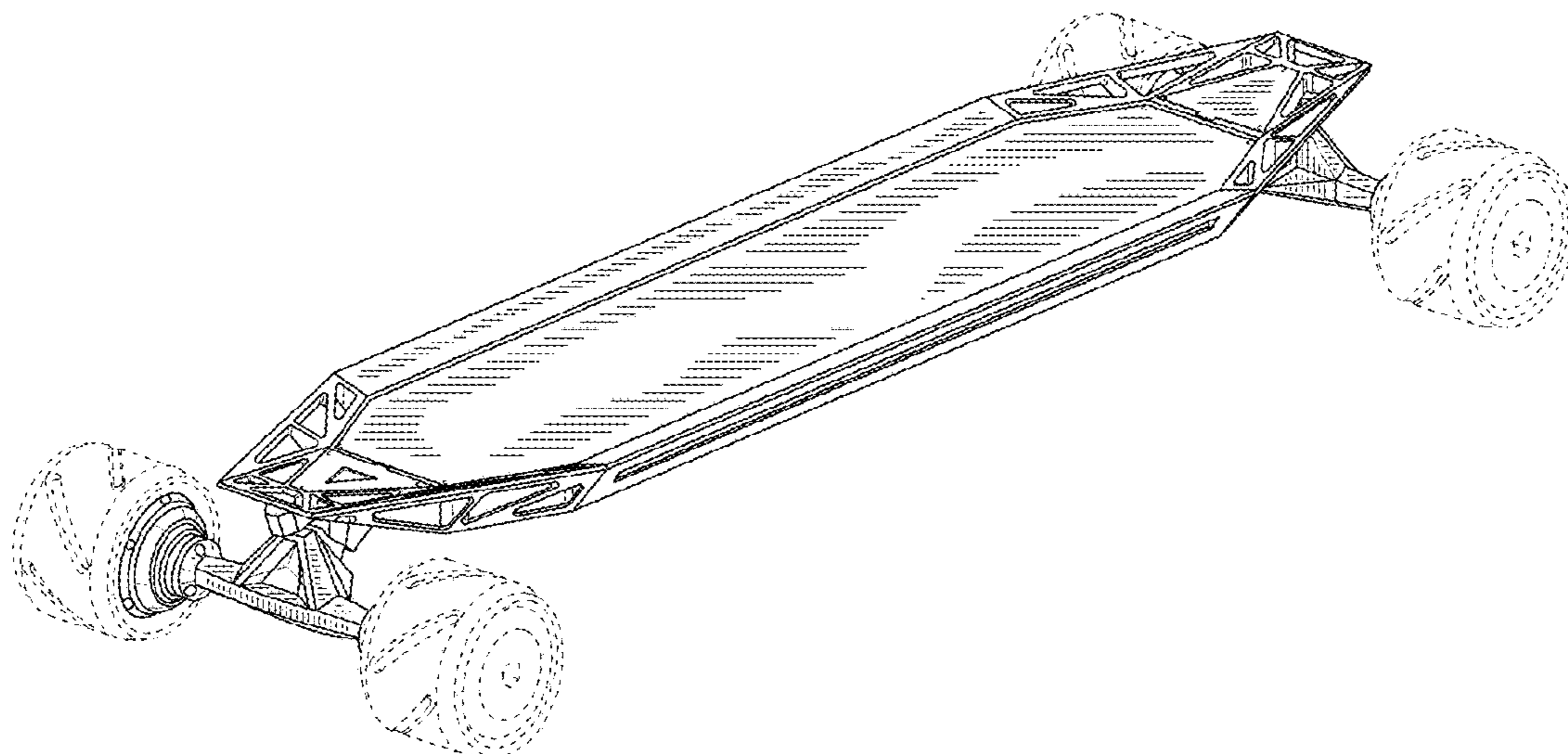
(57) **CLAIM**

The ornamental design for a battery powered skateboard, as shown and described.

DESCRIPTION

FIG. 1 is a top, front, and right-side perspective view showing the battery powered skateboard;
FIG. 2 is a bottom, rear, and left-side perspective view thereof;
FIG. 3 is a right-side view thereof;
FIG. 4 is a left-side view thereof;
FIG. 5 is a front view thereof;
FIG. 6 is a rear view thereof;
FIG. 7 is top view thereof; and,
FIG. 8 is a bottom view thereof.
The broken lines in FIGS. 1 through 8 illustrate portions of the battery powered skateboard that are not part of the claimed design.

1 Claim, 6 Drawing Sheets



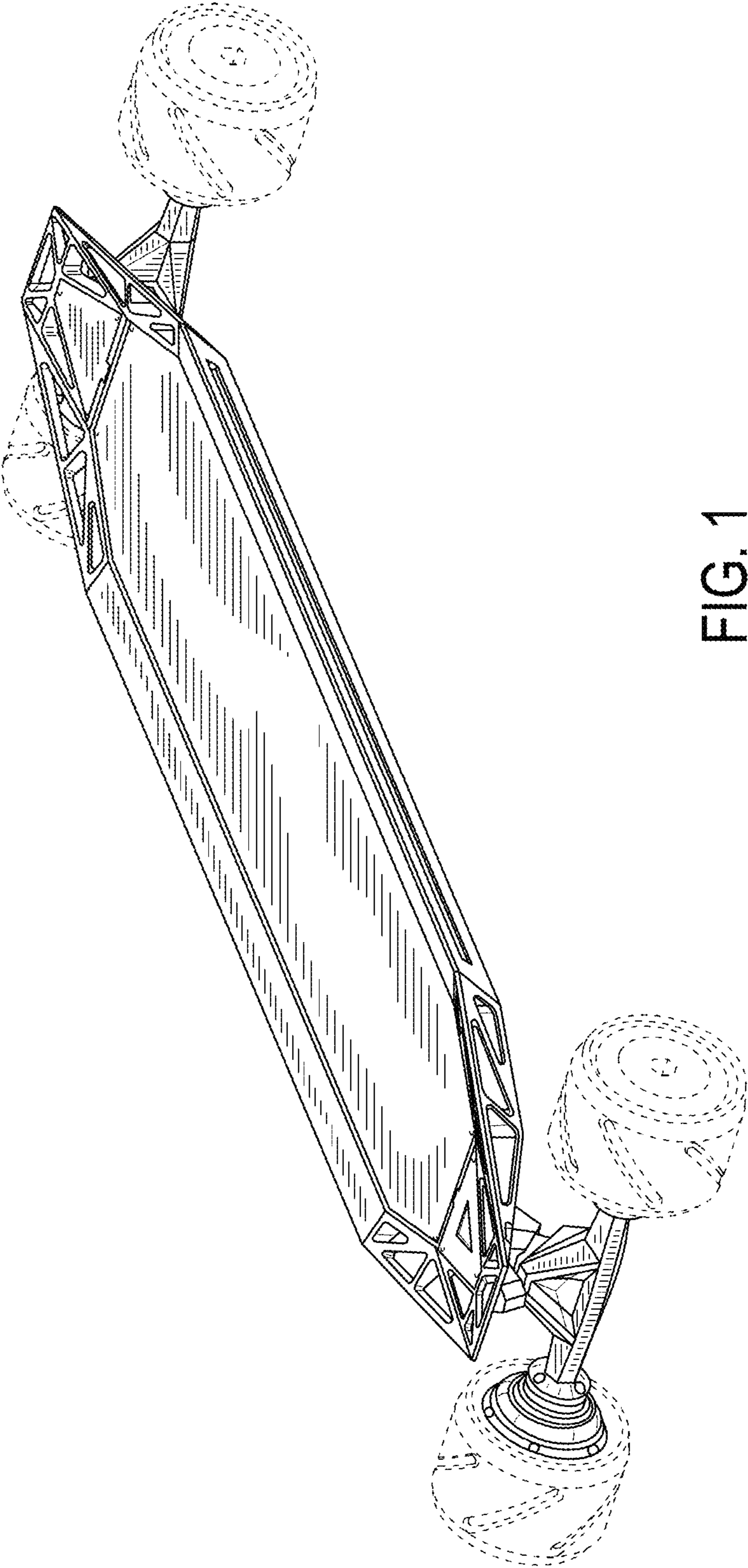


FIG. 1

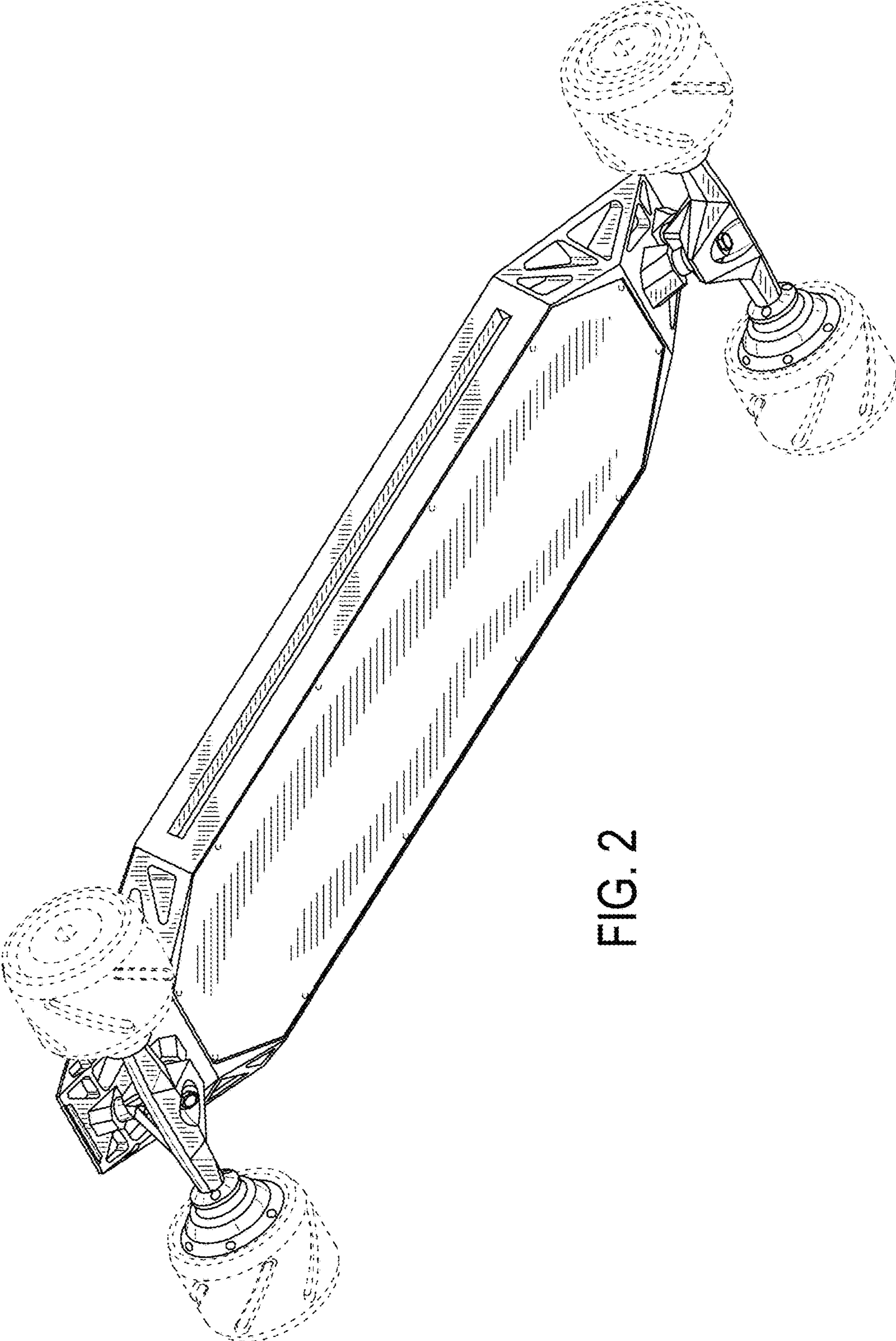


FIG. 2

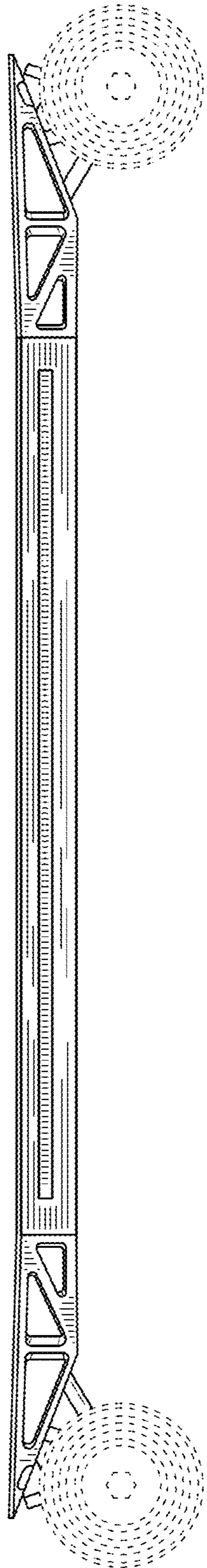


FIG. 3

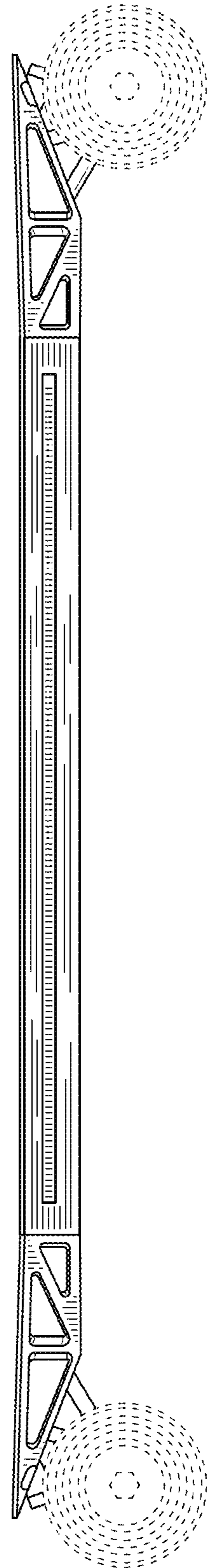


FIG. 4

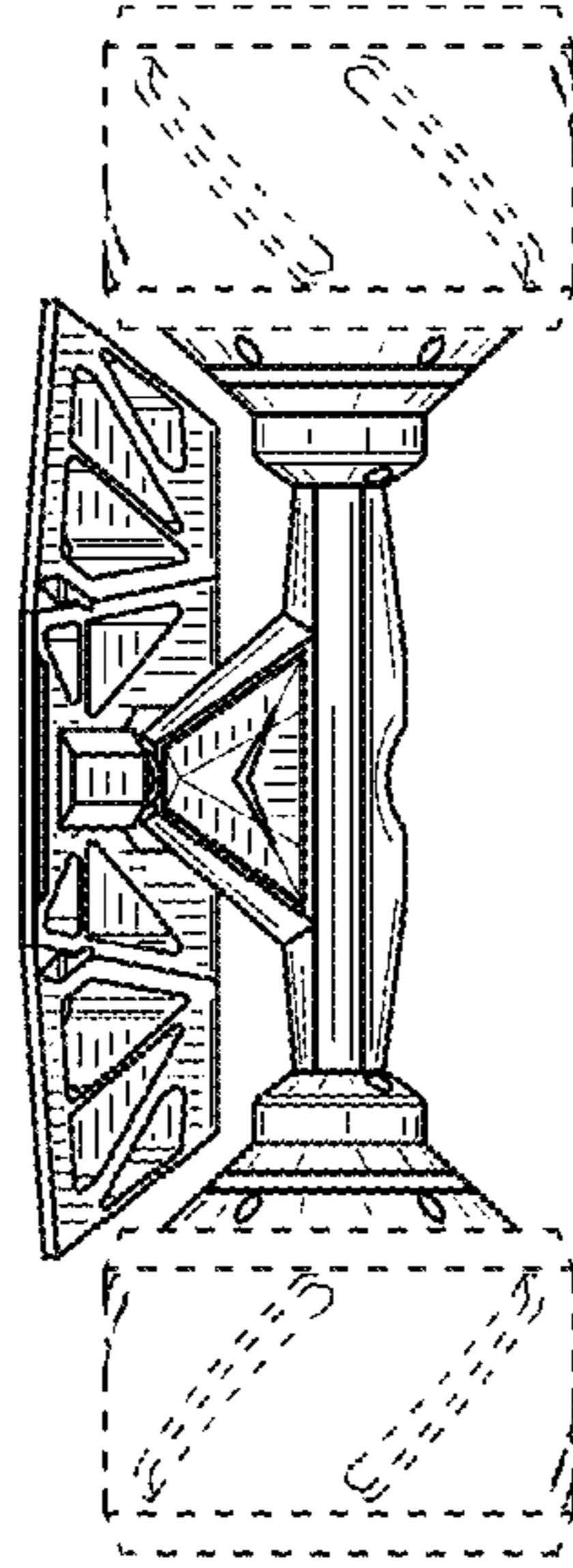


FIG. 6

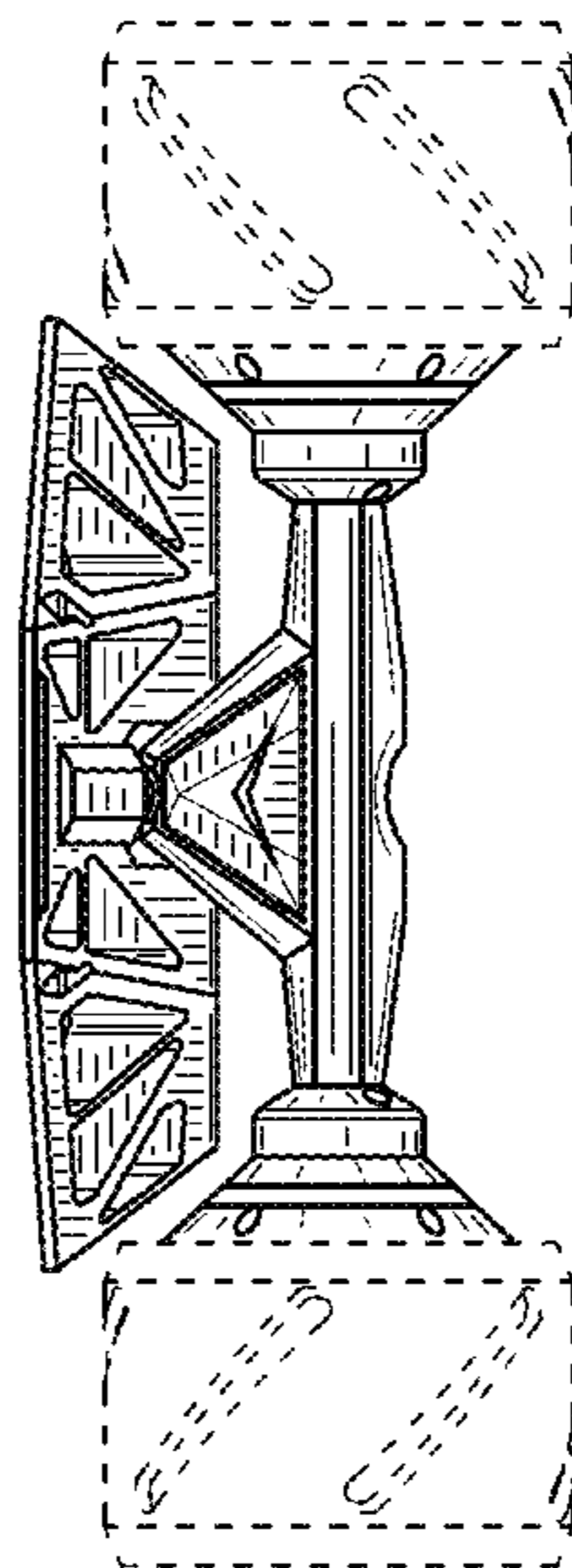


FIG. 5

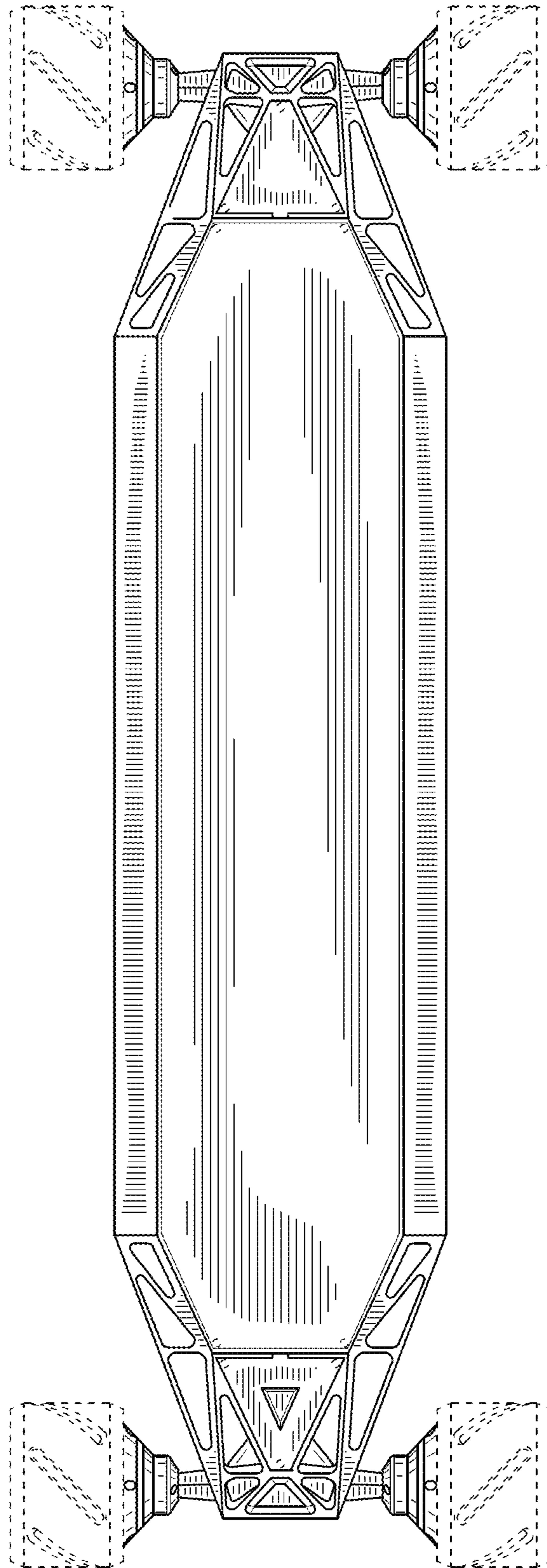


FIG. 7

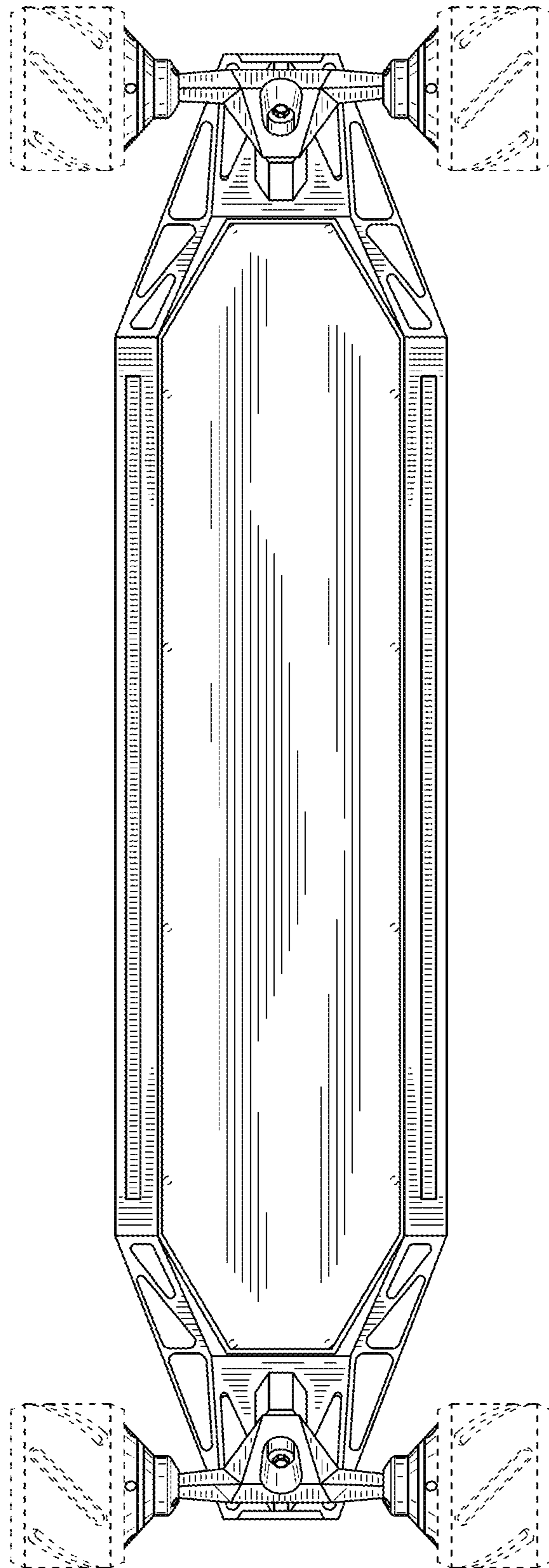


FIG. 8