



US00D815225S

(12) **United States Design Patent**
Tang et al.

(10) **Patent No.:** **US D815,225 S**
(45) **Date of Patent:** **** Apr. 10, 2018**

(54) **GOLF CLUB HEAD**

(71) Applicant: **Callaway Golf Company**, Carlsbad, CA (US)

(72) Inventors: **Larry Tang**, Carlsbad, CA (US);
Denver Holt, Carlsbad, CA (US)

(73) Assignee: **Callaway Golf Company**, Carlsbad, CA (US)

(**) Term: **15 Years**

(21) Appl. No.: **29/591,431**

(22) Filed: **Jan. 19, 2017**

Related U.S. Application Data

(63) Continuation of application No. 29/591,039, filed on Jan. 16, 2017, which is a continuation-in-part of application No. 29/576,496, filed on Sep. 2, 2016, now Pat. No. Des. 801,465.

(51) **LOC (11) Cl.** **21-02**

(52) **U.S. Cl.**
USPC **D21/759**

(58) **Field of Classification Search**
USPC D21/733, 752, 759
CPC A63B 53/00; A63B 53/04; A63B 53/0466;
A63B 2053/002; A63B 2053/0445; A63B
2053/0433; A63B 2053/0491; A63B
2053/0437
See application file for complete search history.

(56) **References Cited**

U.S. PATENT DOCUMENTS

D478,140 S * 8/2003 Burrows D21/752
D510,395 S * 10/2005 Mirafior D21/759
D565,684 S * 4/2008 Homma D21/759
D631,111 S * 1/2011 Bennett D21/752
D656,211 S * 3/2012 Foster D21/752

D661,754 S * 6/2012 Cameron D21/759
D707,767 S * 6/2014 Song D21/752
D707,771 S * 6/2014 Cameron D21/759
D714,894 S * 10/2014 Tang D21/759
D725,729 S * 3/2015 Song D21/752
D726,847 S * 4/2015 Song D21/752
D726,848 S * 4/2015 Song D21/752
D726,852 S * 4/2015 Song D21/759
D726,853 S * 4/2015 Song D21/759
D730,465 S * 5/2015 Cameron D21/759
D736,877 S * 8/2015 Foster D21/759
D738,976 S * 9/2015 Kim D21/759
D746,927 S * 1/2016 Parsons D21/752
D762,274 S * 7/2016 Cardani D21/759
D763,382 S * 8/2016 Cardani D21/759
D763,997 S * 8/2016 Tang D21/759
D764,611 S * 8/2016 Cardani D21/759
D765,198 S * 8/2016 Cardani D21/759
D788,239 S * 5/2017 Kim D21/759
D791,258 S * 7/2017 Tang D21/759

(Continued)

Primary Examiner — Mitchell I. Siegel

(74) *Attorney, Agent, or Firm* — Rebecca Hanovice;
Michael Catania; Sonia Lari

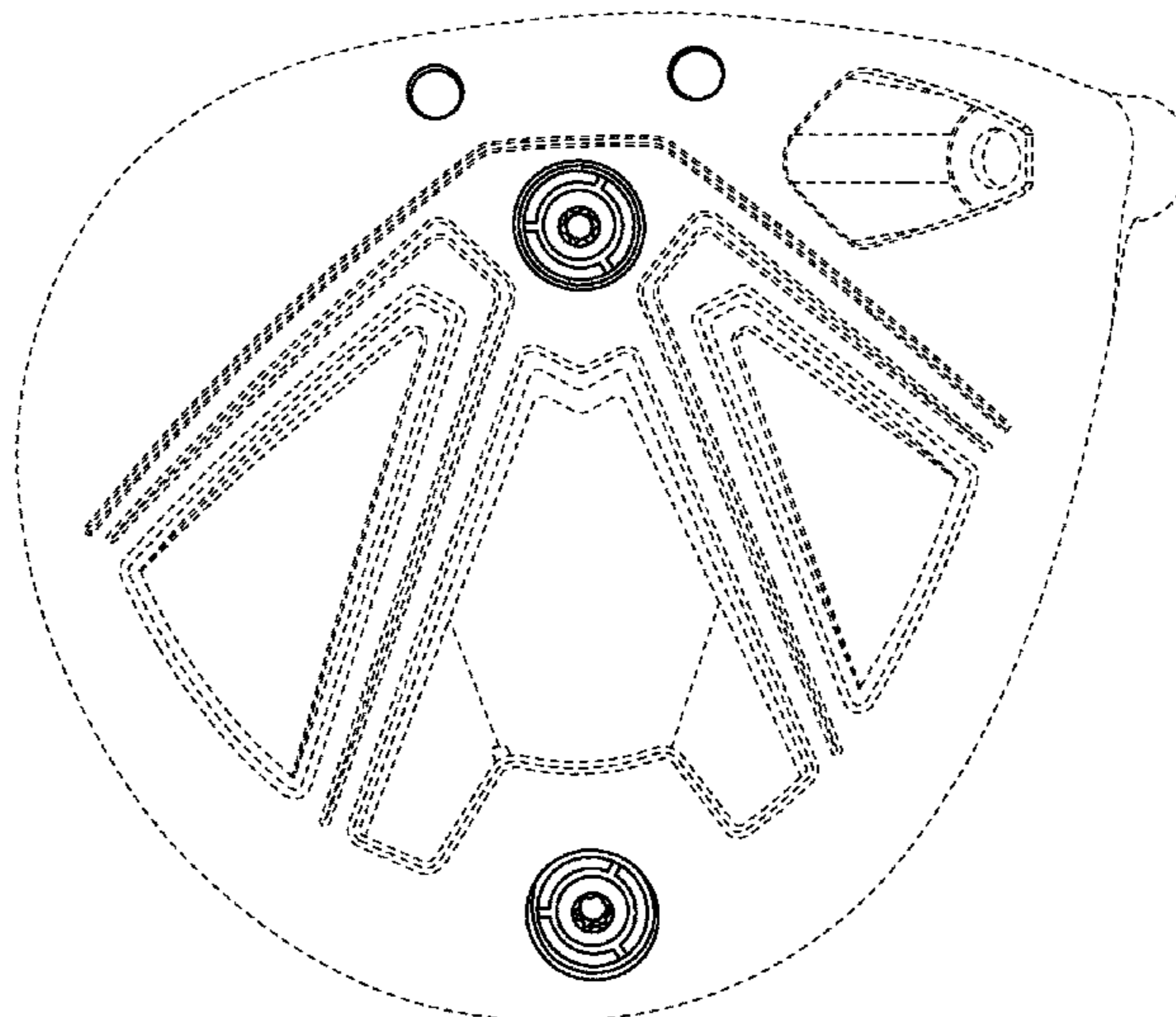
(57) **CLAIM**

The ornamental design for a golf club head, as shown and described.

DESCRIPTION

FIG. 1 is a rear perspective view of the golf club head claimed herein;
FIG. 2 is a front elevational view thereof;
FIG. 3 is a rear elevational view thereof;
FIG. 4 is a left side elevational view thereof;
FIG. 5 is a right side elevational view thereof;
FIG. 6 is a top plan view thereof; and,
FIG. 7 is bottom plan view thereof.
The broken lines are included for the purpose of illustration and form no part of the claimed design.

1 Claim, 5 Drawing Sheets



(56)

References Cited

U.S. PATENT DOCUMENTS

D792,540 S * 7/2017 Kim D21/759
D801,465 S * 10/2017 Tang D21/759

* cited by examiner

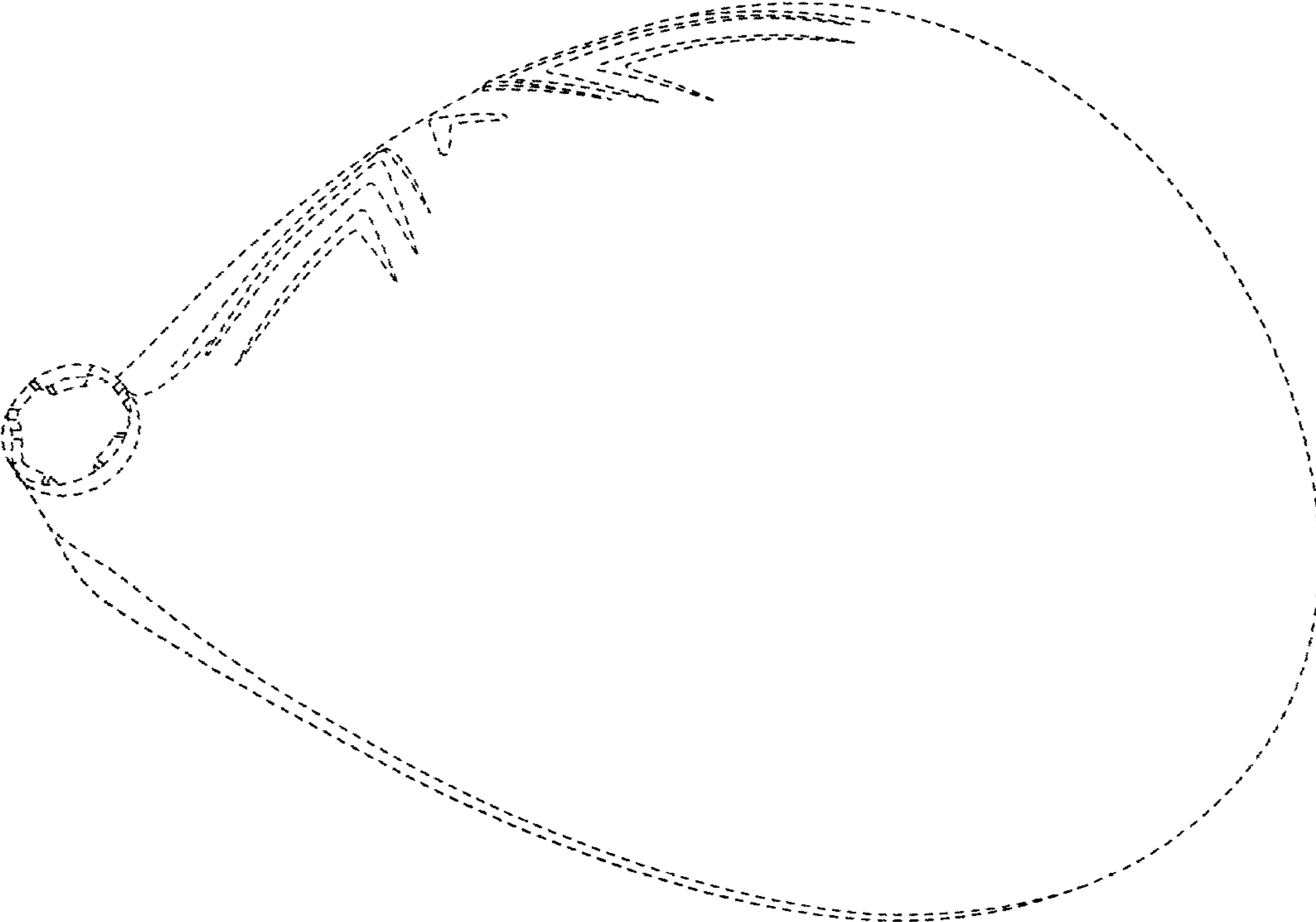


FIG. 1

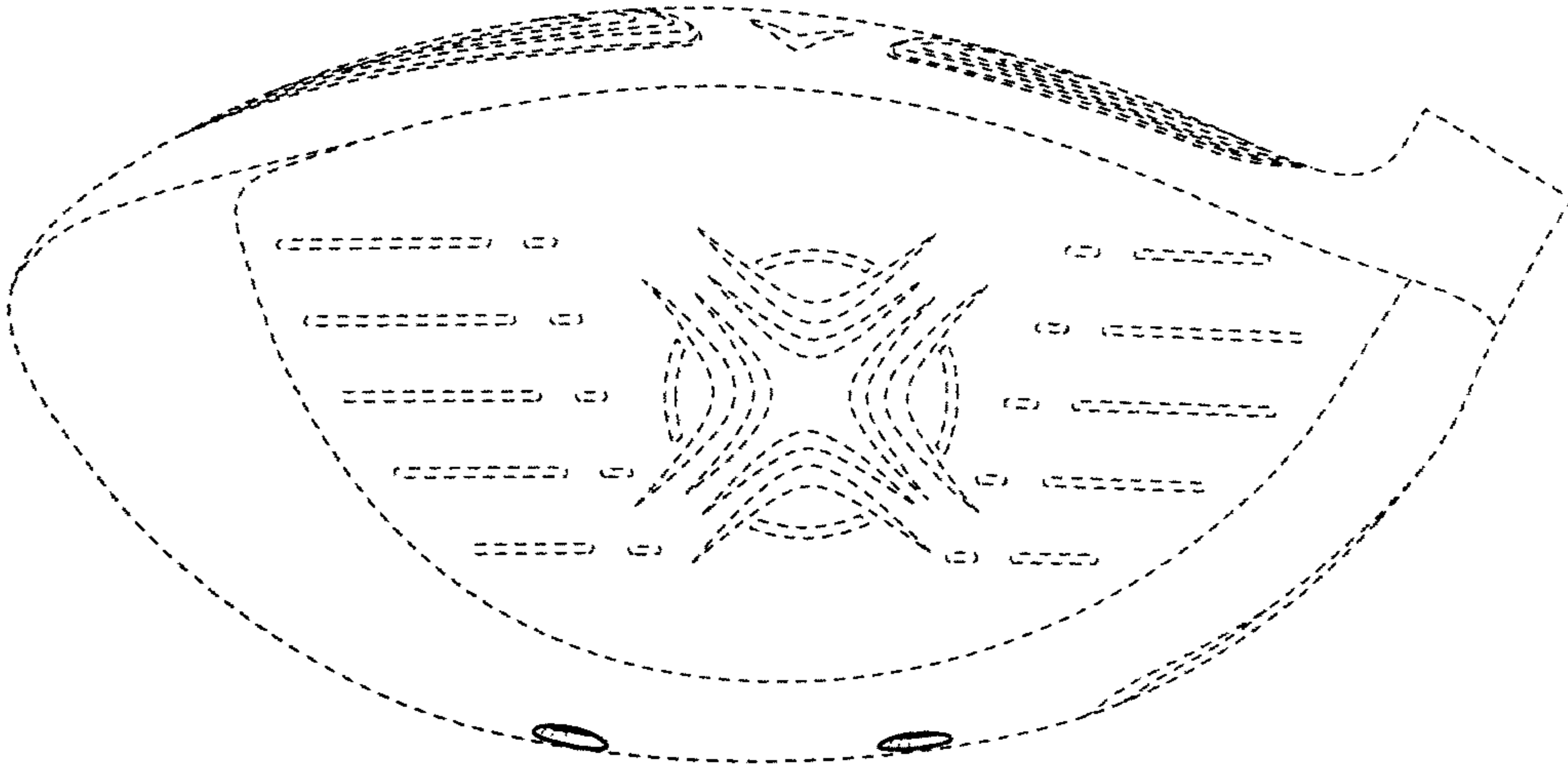


FIG. 2

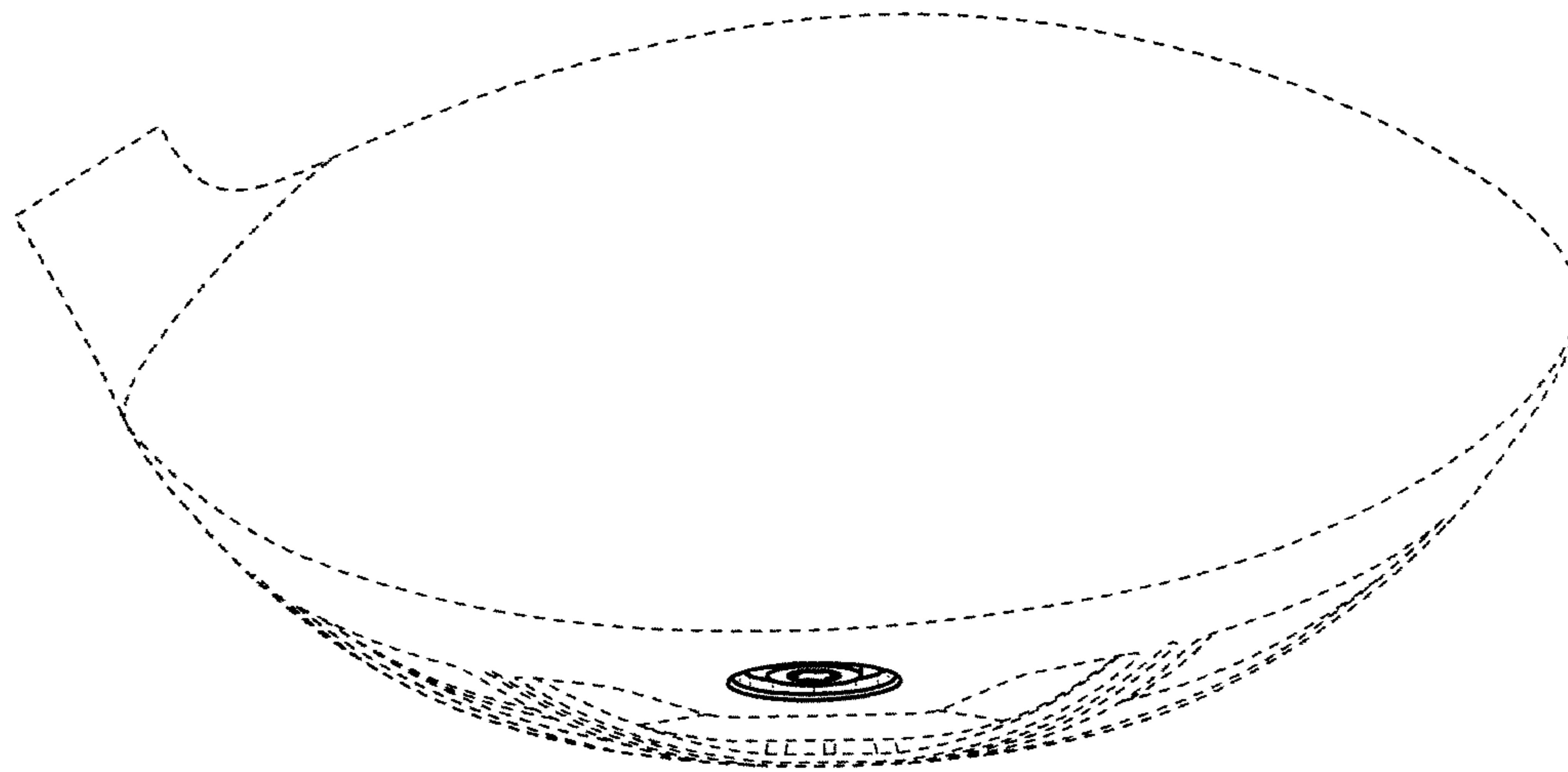


FIG. 3

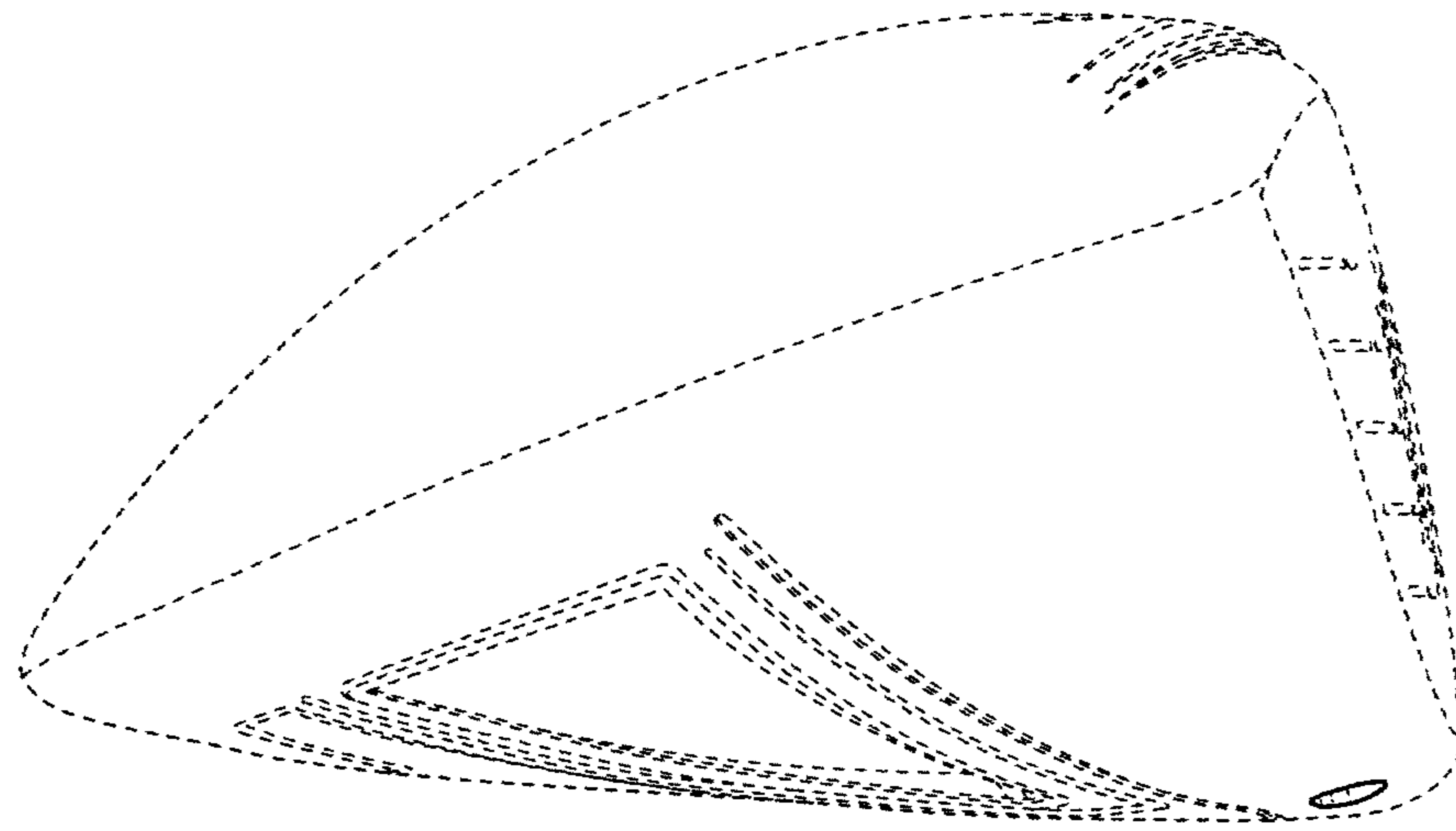


FIG. 4

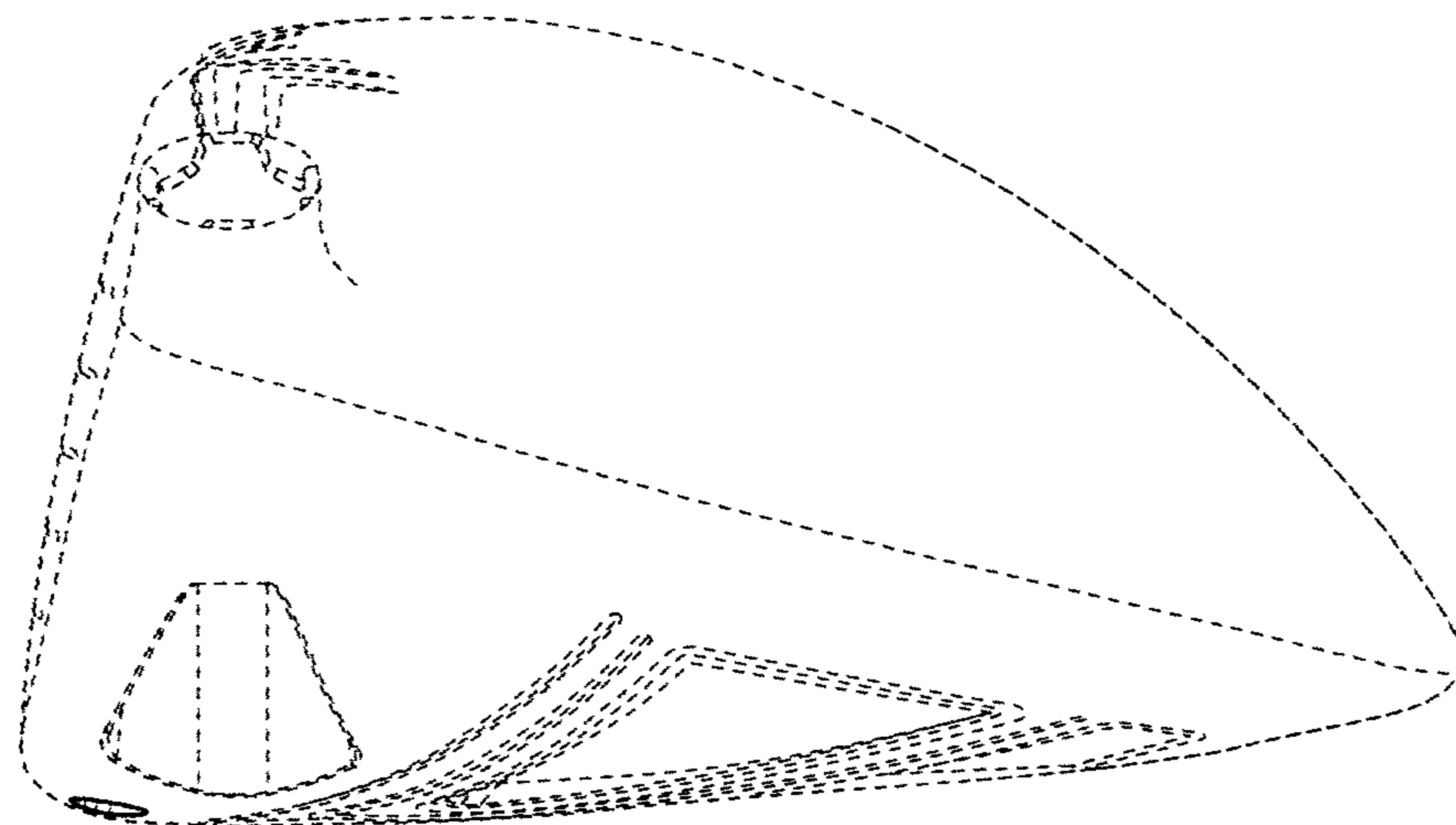


FIG. 5

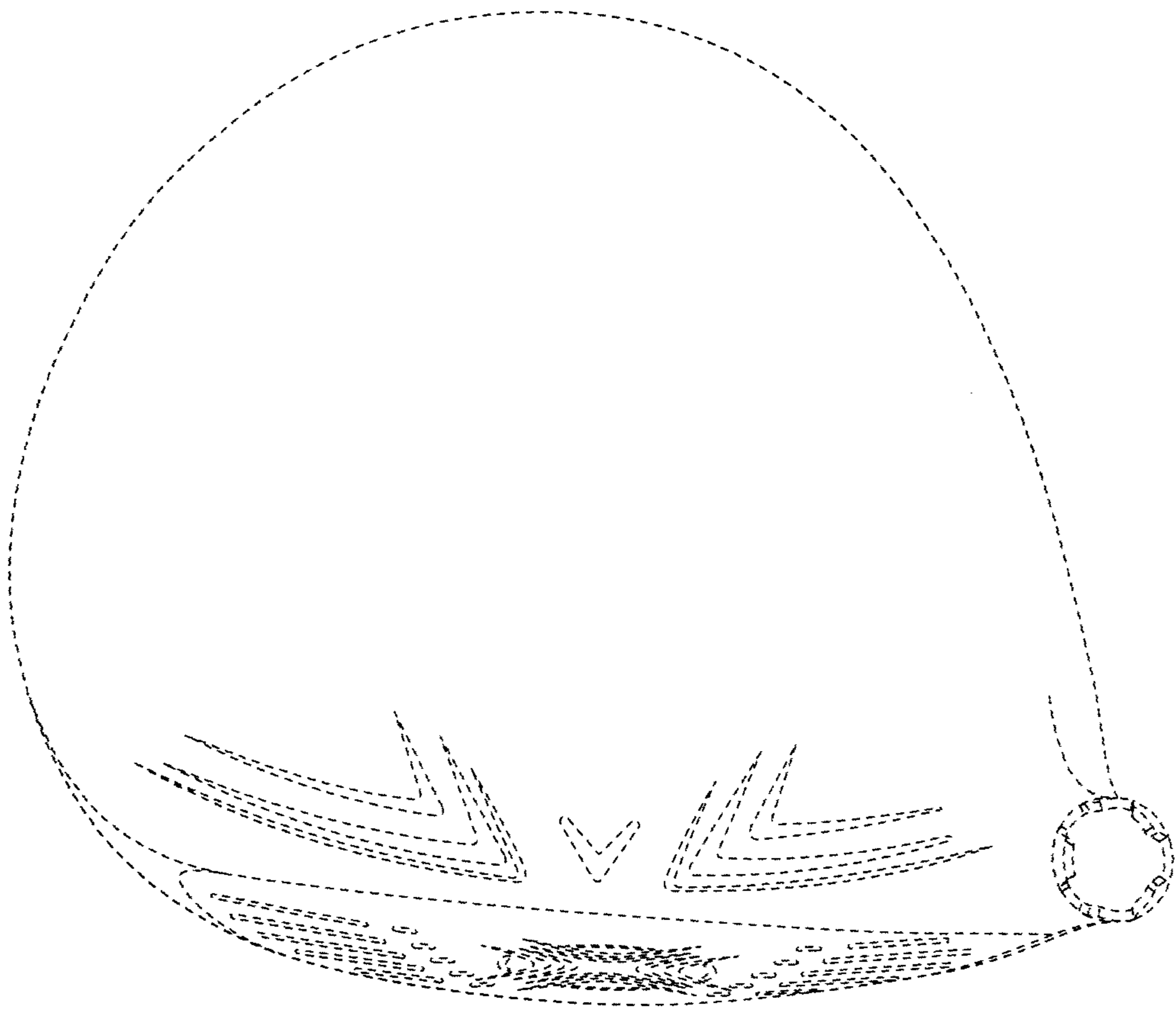


FIG. 6

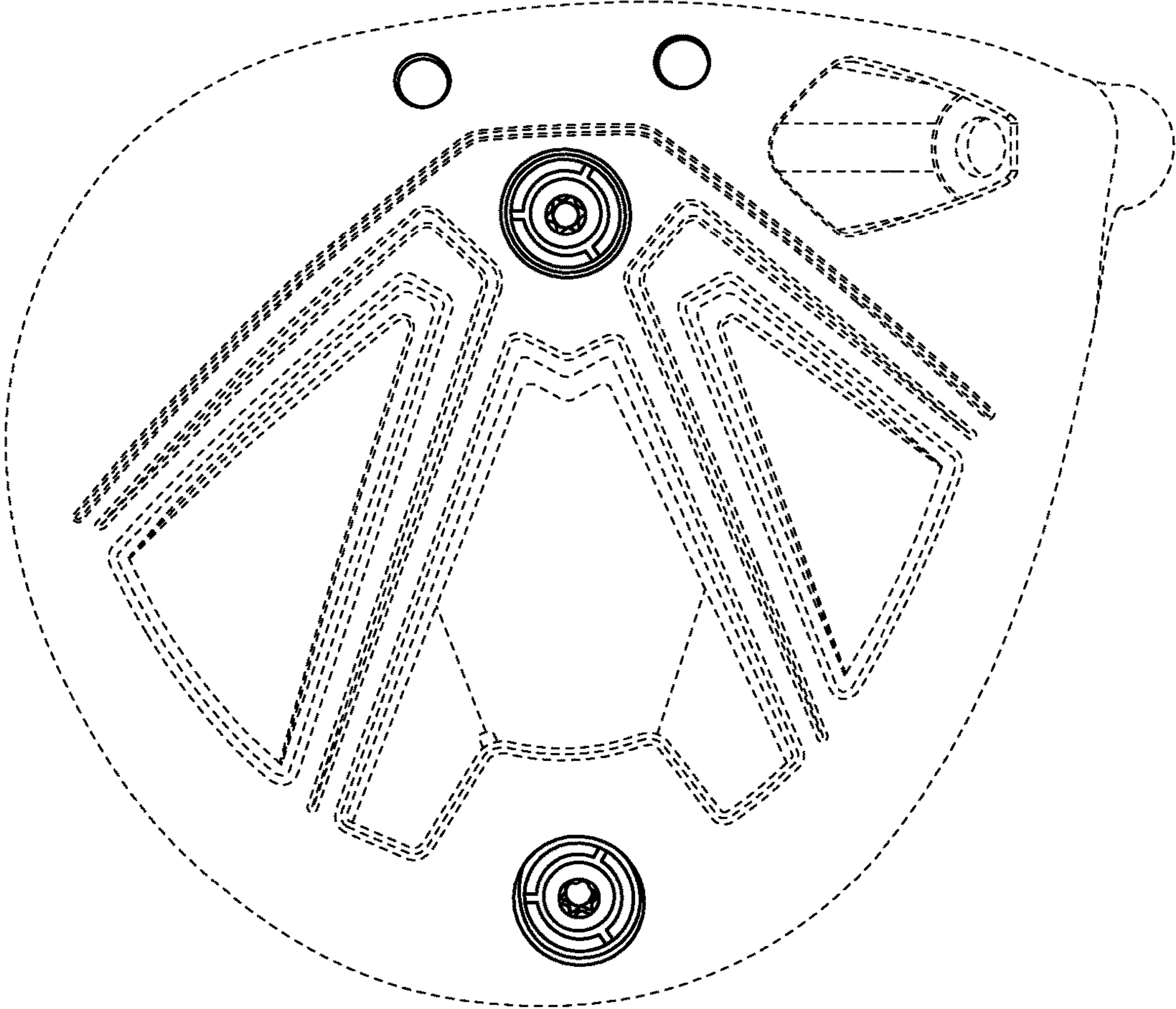


FIG. 7