



US00D815224S

(12) **United States Design Patent**
Ivanova et al.

(10) **Patent No.:** **US D815,224 S**

(45) **Date of Patent:** **** Apr. 10, 2018**

(54) **GOLF CLUB FACE**

(71) Applicant: **Callaway Golf Company**, Carlsbad, CA (US)

(72) Inventors: **Irina Ivanova**, San Marcos, CA (US);
Bradley C. Rice, Carlsbad, CA (US);
Esteban Aguilar, Carlsbad, CA (US)

(73) Assignee: **Callaway Golf Company**, Carlsbad, CA (US)

(**) Term: **15 Years**

(21) Appl. No.: **29/591,392**

(22) Filed: **Jan. 19, 2017**

Related U.S. Application Data

(62) Division of application No. 29/543,429, filed on Oct. 23, 2015, now Pat. No. Des. 786,379.

(51) **LOC (11) Cl.** **21-02**

(52) **U.S. Cl.**
USPC **D21/759**

(58) **Field of Classification Search**
USPC D21/747-751, 759
CPC A63B 53/00; A63B 53/02; A63B 53/04;
A63B 53/047; A63B 53/0475; A63B
2053/0479; A63B 2053/0483; A63B
2053/0445; A63B 60/00; A63B 60/46
See application file for complete search history.

(56) **References Cited**

U.S. PATENT DOCUMENTS

- 7,473,187 B2 * 1/2009 Vokey A63B 53/047
473/330
- D588,221 S * 3/2009 Takahashi D21/759
- D588,666 S * 3/2009 Takahashi D21/759

- D596,687 S * 7/2009 Bezilla D21/759
- D603,009 S * 10/2009 Bezilla D21/759
- D612,438 S * 3/2010 Carlyle D21/759
- D612,439 S * 3/2010 Carlyle D21/759
- D617,406 S * 6/2010 Carlyle D21/759
- D633,967 S * 3/2011 Carlyle D21/759
- D643,490 S * 8/2011 Wada D21/759
- D707,316 S * 6/2014 Aguayo D21/759
- D707,317 S * 6/2014 Aguayo D21/759
- D716,387 S * 10/2014 Aguayo D21/759
- D716,388 S * 10/2014 Aguayo D21/759
- D756,475 S * 5/2016 Ripp D21/759
- D760,854 S * 7/2016 Ripp D21/759
- D764,000 S * 8/2016 Gonczi D21/759
- D786,379 S * 5/2017 Ivanova D21/759
- 2009/0247318 A1 * 10/2009 Ban A63B 53/047
473/331

* cited by examiner

Primary Examiner — Mitchell I. Siegel
(74) *Attorney, Agent, or Firm* — Rebecca Hanovice;
Michael Catania; Sonia Lari

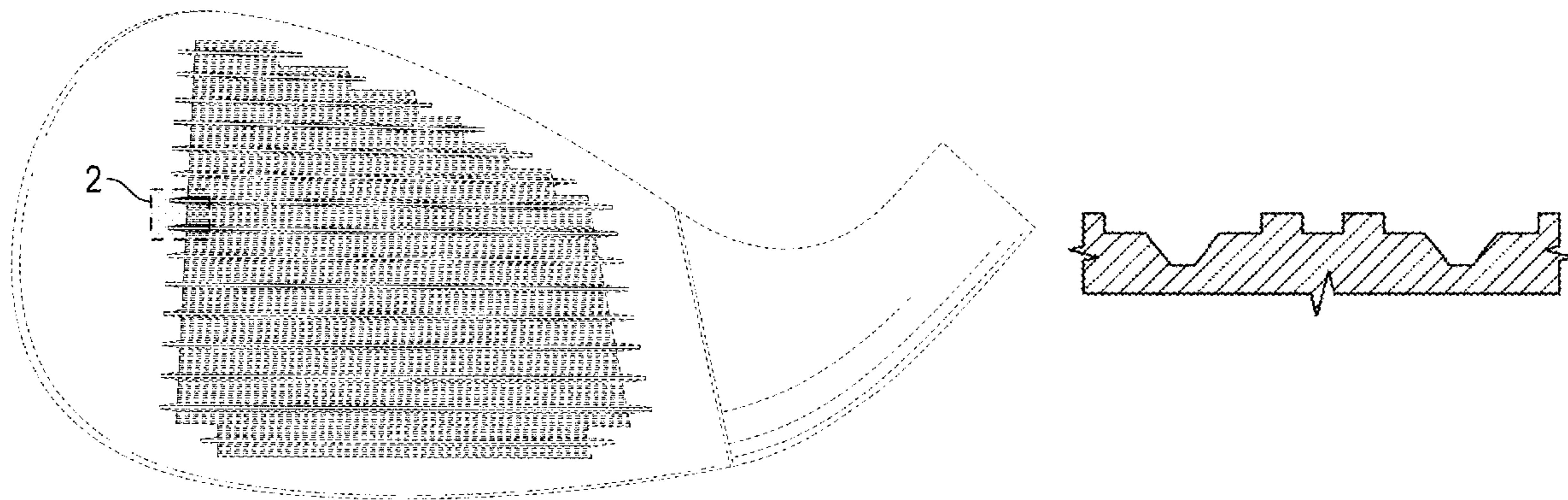
(57) **CLAIM**

The ornamental design for a golf club face, as shown and described.

DESCRIPTION

FIG. 1 is a top perspective view of the golf club face herein; FIG. 2 is an enlarged view of the golf club face shown in FIG. 1 within the boxed region; FIG. 3 is a cross-sectional view of the embodiment shown in FIG. 2 along lines 3-3; FIG. 4 is an enlarged view of a second embodiment of the golf club face shown in FIG. 1 within the boxed region; and, FIG. 5 is a cross-sectional view of the embodiment shown in FIG. 4 along lines 5-5.
The broken lines shown on the golf club face from no part of the claimed design.

1 Claim, 3 Drawing Sheets



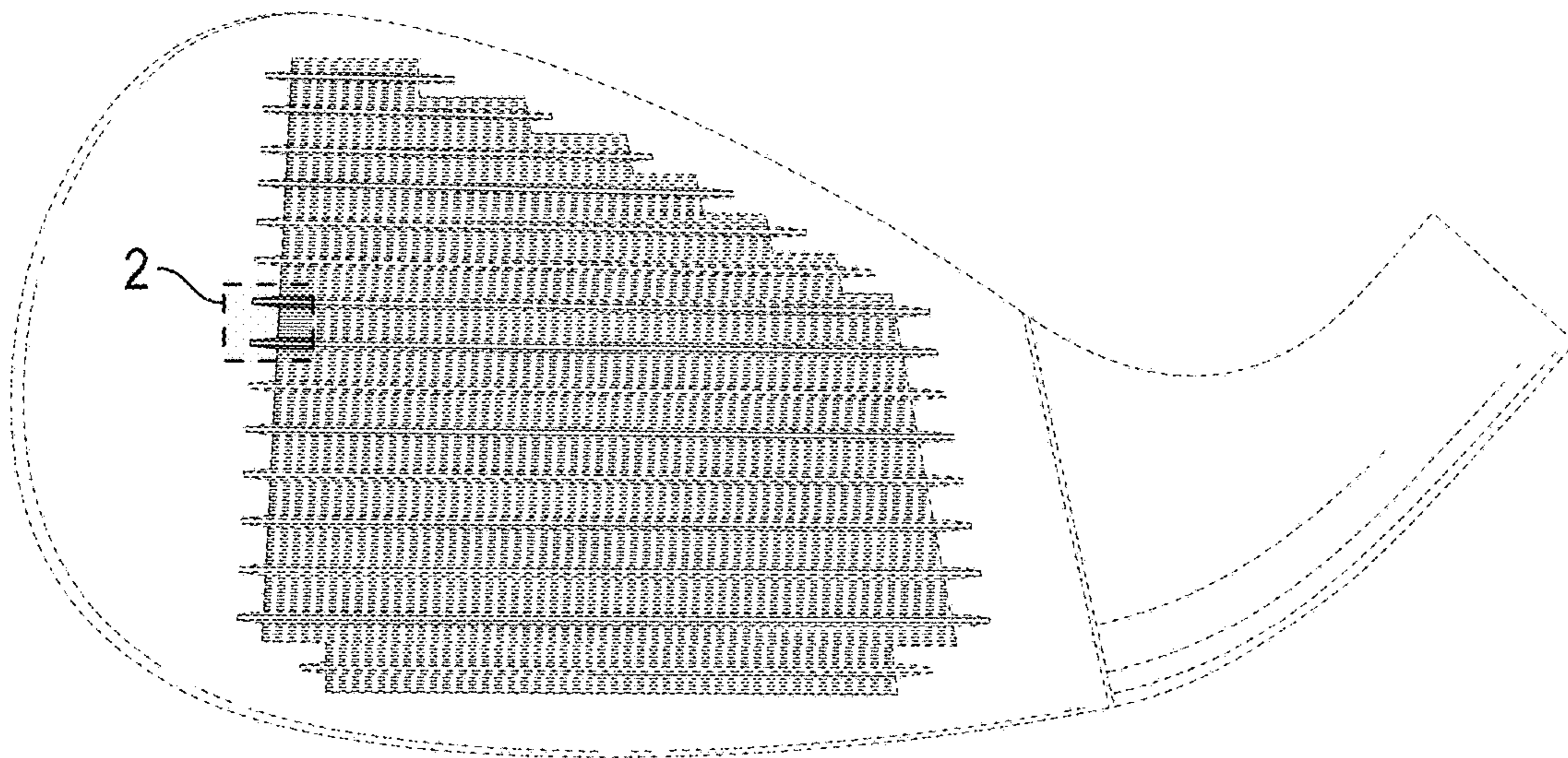


FIG. 1

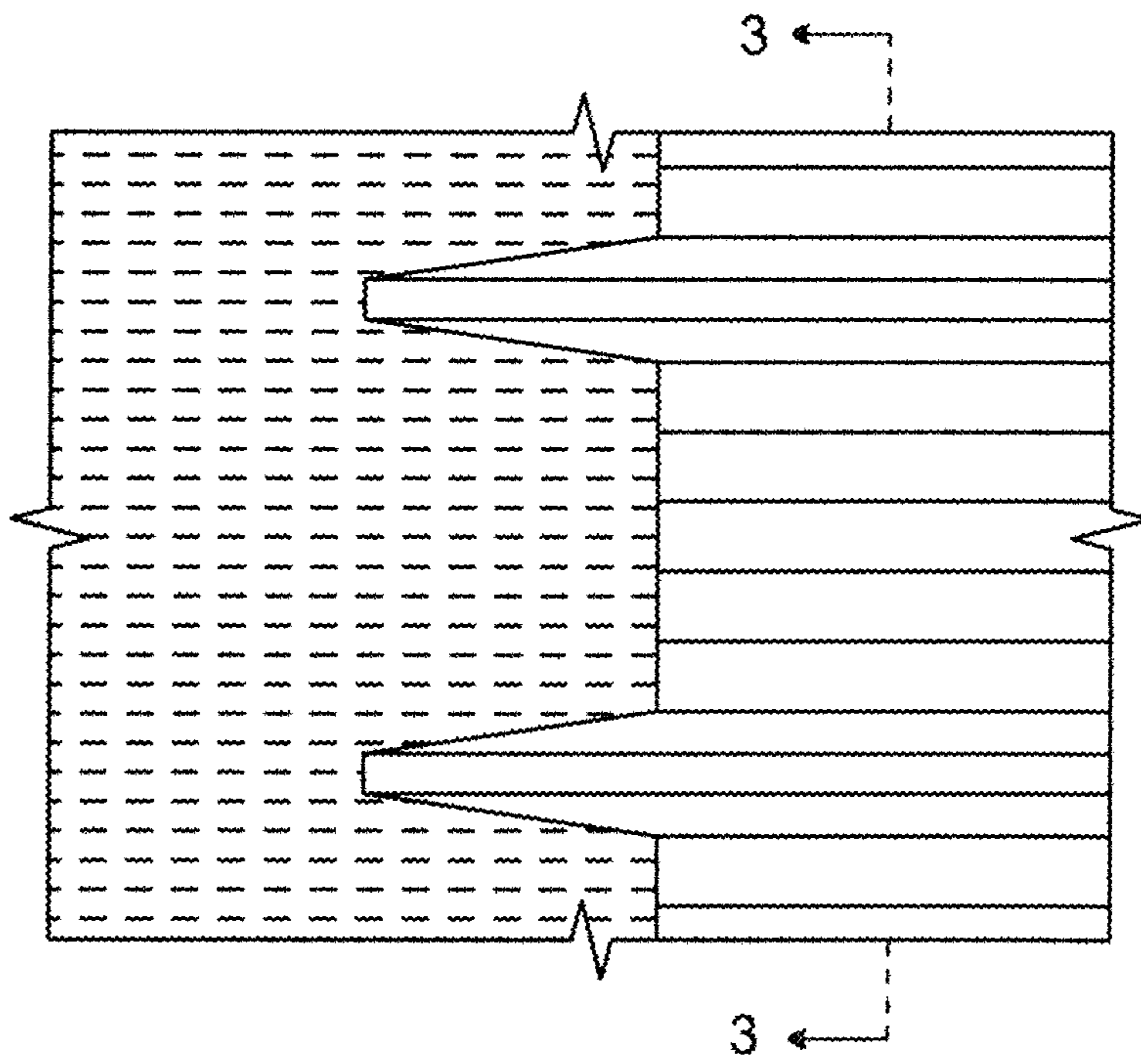


FIG. 2

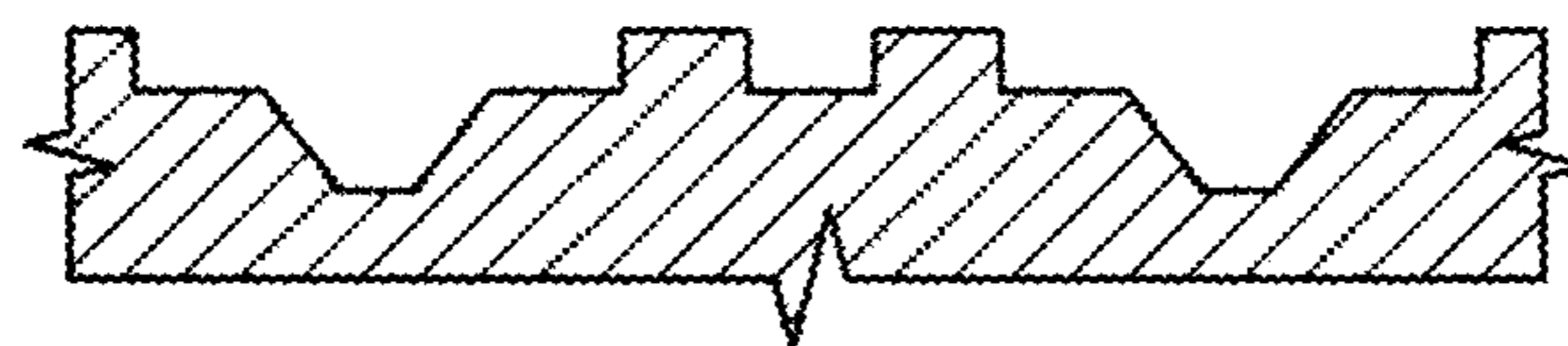


FIG. 3

