



US00D815217S

(12) **United States Design Patent**  
**Miller et al.**

(10) **Patent No.:** **US D815,217 S**  
(45) **Date of Patent:** **\*\* Apr. 10, 2018**

(54) **ABDOMINAL EXERCISE WHEEL**  
(71) Applicant: **XYSTUS, LLC**, Carrollton, TX (US)  
(72) Inventors: **Reuben A. Miller**, McKinney, TX (US); **Shane Hernandez**, McKinney, TX (US)  
(73) Assignee: **XYSTUS, LLC**, Carrollton, TX (US)

6,328,680 B1 \* 12/2001 Shifferaw ..... A63B 21/0618  
482/127  
D454,929 S \* 3/2002 Huang ..... D21/662  
6,544,153 B2 \* 4/2003 Lee ..... A63B 21/0004  
482/127  
6,575,883 B1 \* 6/2003 Hinds ..... A63B 21/0004  
482/125  
7,357,764 B2 \* 4/2008 Stearns ..... A63B 21/0552  
297/259.1

(\*\*) Term: **15 Years**  
(21) Appl. No.: **29/568,723**  
(22) Filed: **Jun. 21, 2016**

(Continued)

**Related U.S. Application Data**

(63) Continuation-in-part of application No. 14/684,626, filed on Apr. 13, 2015, now Pat. No. 9,649,521.  
(51) **LOC (11) Cl.** ..... **21-02**  
(52) **U.S. Cl.**  
USPC ..... **D21/662**  
(58) **Field of Classification Search**  
USPC ..... 482/132, 140, 123, 142, 145, 127, 907, 482/82, 114, 121, 92, 141, 148, 125, 136, 482/55, 139; D21/662, 681, 760, 679, D21/686, 689, 671; D12/107; D15/199  
CPC . A63B 23/1236; A63B 21/4035; A63B 23/12; A63B 21/00047; A63B 2210/50; A63B 22/20; A63B 21/068; A63B 21/0004  
See application file for complete search history.

(56) **References Cited**

**U.S. PATENT DOCUMENTS**

D224,935 S \* 10/1972 Winger ..... D21/662  
D306,886 S \* 3/1990 Shiek ..... D21/662  
5,871,425 A \* 2/1999 Gvoich ..... A63B 21/055  
482/123

**OTHER PUBLICATIONS**

Circ-It by Xystus dated no date given. Found online [Sep. 20, 2017] <http://fit-everywhere.com/product/logo-t-shirt/#prettyPhoto>.\*

*Primary Examiner* — Robert M. Spear  
*Assistant Examiner* — Ryan Harvey

(74) *Attorney, Agent, or Firm* — Stephen Y. Liu; Colin P. Cahoon; Carstens & Cahoon, LLC

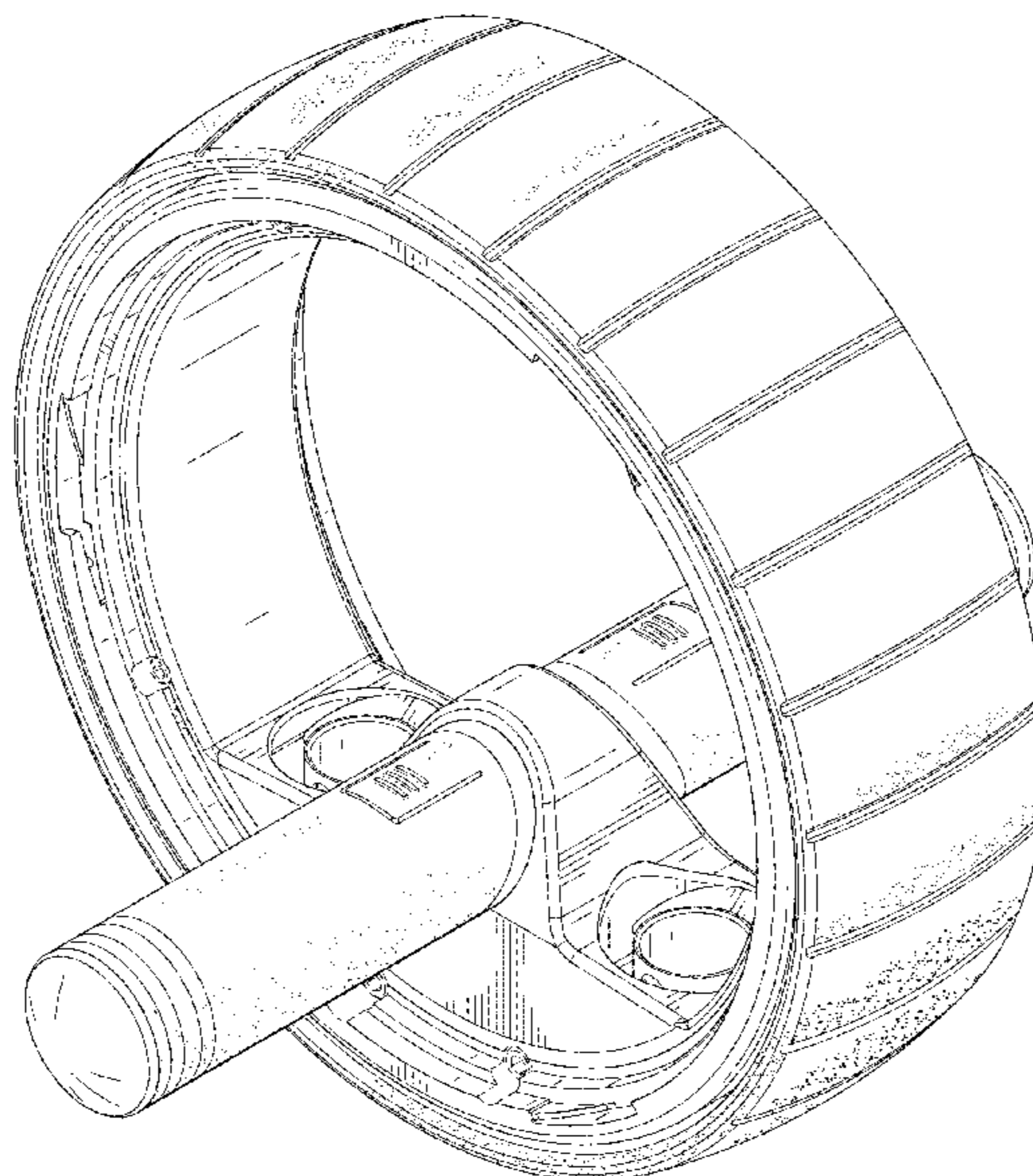
(57) **CLAIM**

The ornamental design for a abdominal exercise wheel, as shown and described.

**DESCRIPTION**

FIG. 1 is a top perspective view of the abdominal exercise wheel;  
FIG. 2 is a bottom perspective view of the abdominal exercise wheel;  
FIG. 3 is a front view of the abdominal exercise wheel, the back view being a mirror image;  
FIG. 4 is a right side view of the abdominal exercise wheel;  
FIG. 5 is a left side view of the abdominal exercise wheel;  
FIG. 6 is a top view of the abdominal exercise wheel; and  
FIG. 7 is a bottom view of the abdominal exercise wheel.  
The broken lines showing portions of the abdominal exercise wheel depict environment and form no part of the claim.

**1 Claim, 7 Drawing Sheets**



(56)

References Cited

U.S. PATENT DOCUMENTS

D624,136 S \* 9/2010 Chen ..... D21/760  
 7,837,603 B1 \* 11/2010 Carnell, Sr. .... A63B 21/0004  
 482/132  
 D666,255 S \* 8/2012 Babchinetskaya ..... D21/662  
 D669,141 S \* 10/2012 MacColl ..... D21/662  
 8,376,914 B2 \* 2/2013 Avrett ..... A63B 21/0606  
 441/129  
 8,613,453 B2 \* 12/2013 Chen ..... A63C 17/00  
 280/11.24  
 9,011,303 B2 \* 4/2015 MacColl ..... A63B 21/0004  
 482/127  
 D729,698 S \* 5/2015 Chen ..... D12/107  
 D733,203 S \* 6/2015 Menor ..... D12/107  
 D745,614 S \* 12/2015 Ho ..... D21/662  
 D747,668 S \* 1/2016 Chen ..... D12/107  
 D774,958 S \* 12/2016 Chen ..... D12/107  
 D774,959 S \* 12/2016 Chen ..... D12/107

9,586,088 B2 \* 3/2017 Wong ..... A63B 23/0211  
 2002/0123416 A1 \* 9/2002 Huang ..... A63B 21/153  
 482/140  
 2007/0010384 A1 \* 1/2007 Roberts ..... A63B 22/20  
 482/140  
 2011/0160024 A1 \* 6/2011 Candela ..... A63B 23/0211  
 482/132  
 2011/0183824 A1 \* 7/2011 Yang ..... A63B 21/0004  
 482/132  
 2012/0172184 A1 \* 7/2012 Wang ..... A63B 21/0552  
 482/132  
 2012/0264578 A1 \* 10/2012 Frederick ..... A63B 21/0004  
 482/132  
 2013/0017936 A1 \* 1/2013 Olson ..... A63B 21/0004  
 482/132  
 2013/0281270 A1 \* 10/2013 Chen ..... A63B 21/0004  
 482/132  
 2015/0328491 A1 \* 11/2015 Miller ..... A63B 21/00185  
 482/82

\* cited by examiner

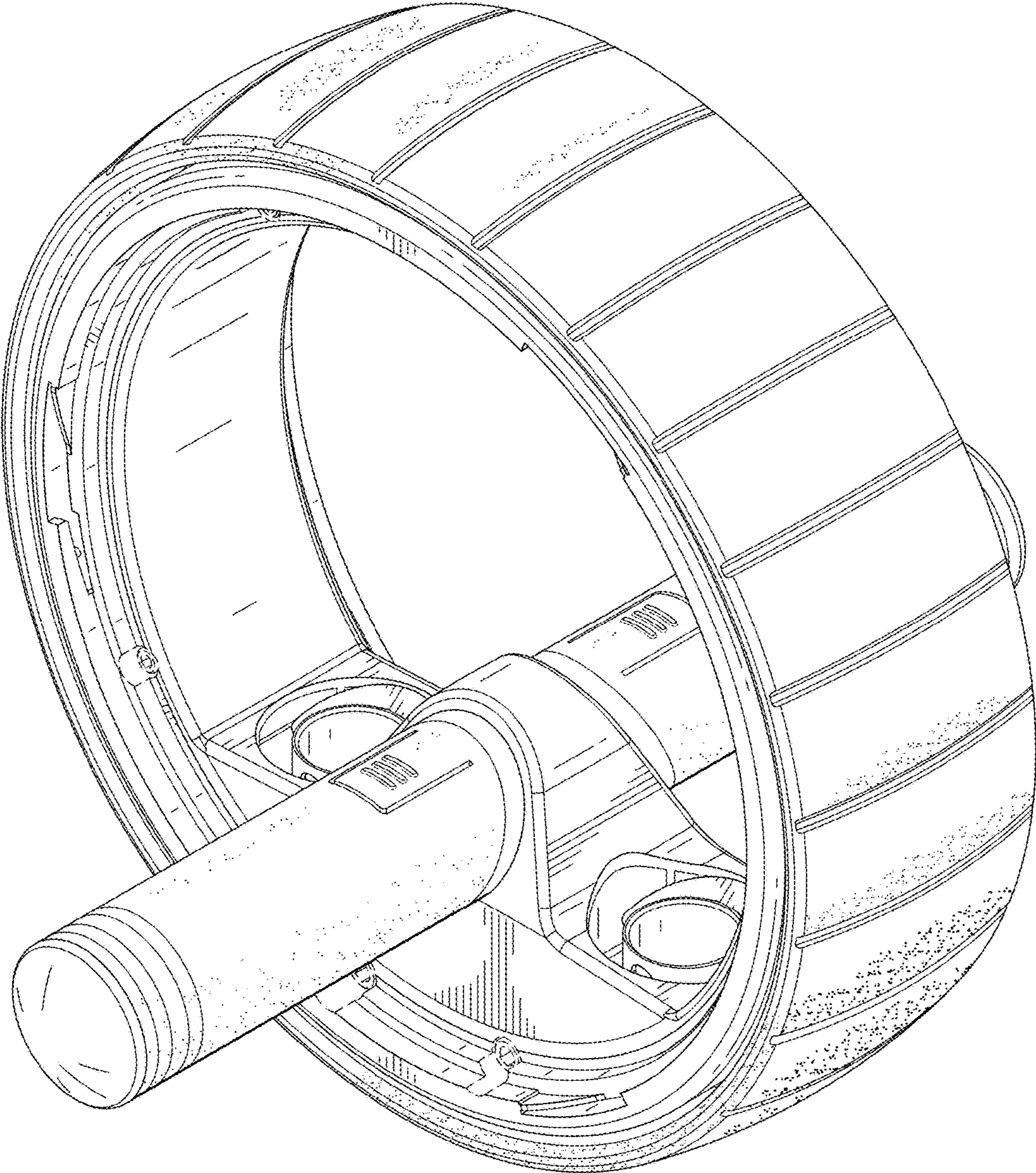


FIG. 1

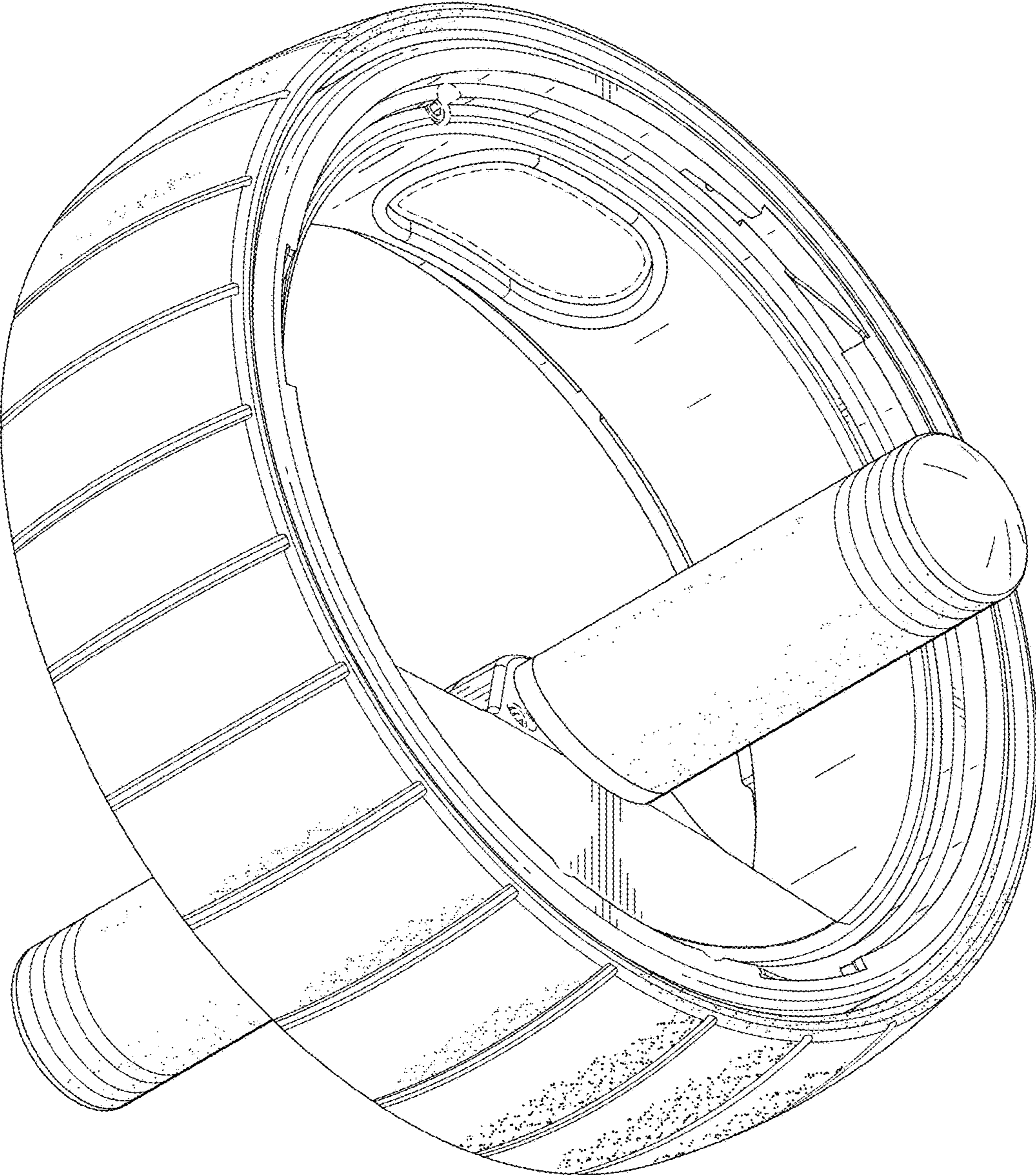


FIG. 2

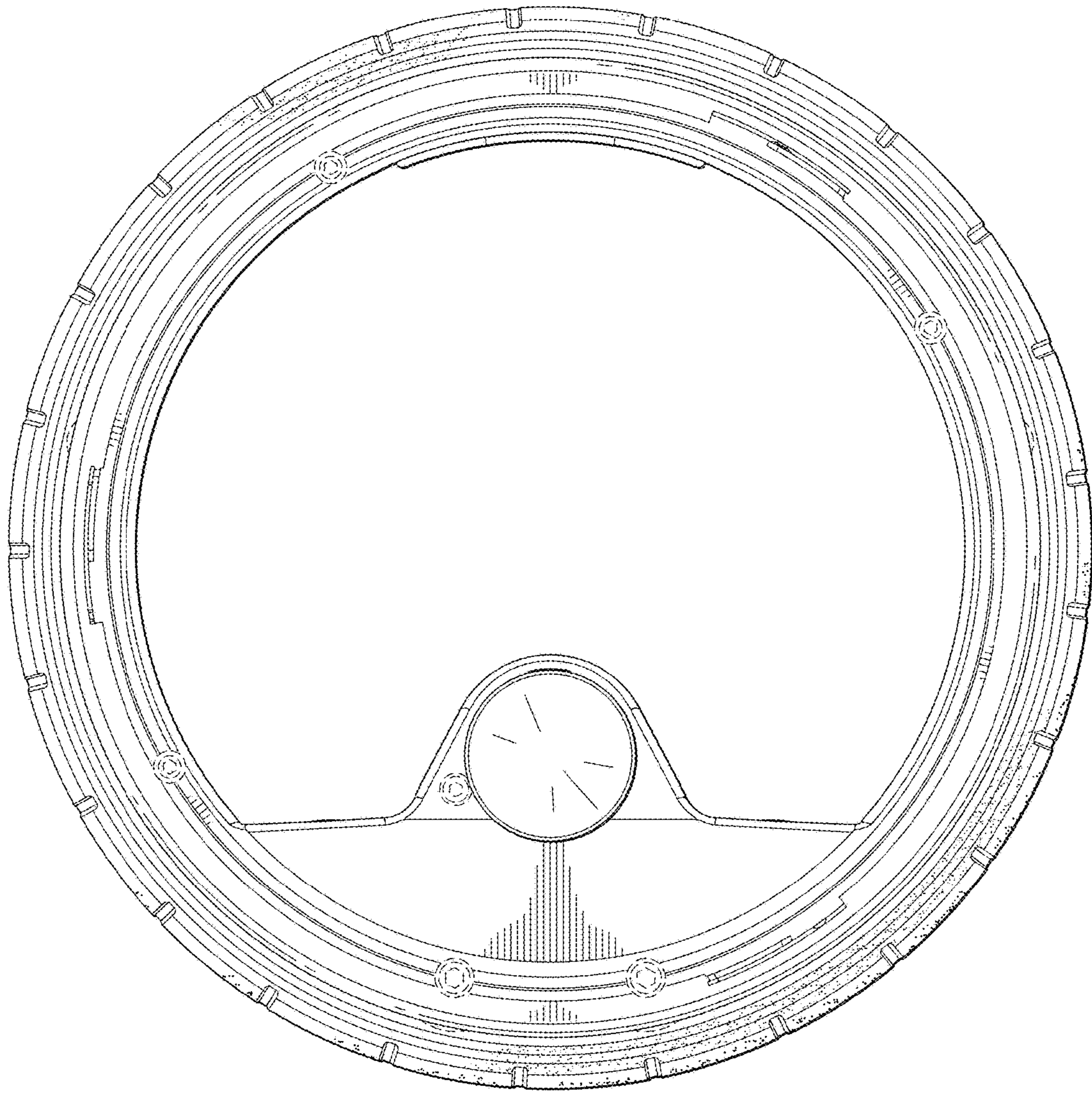


FIG. 3

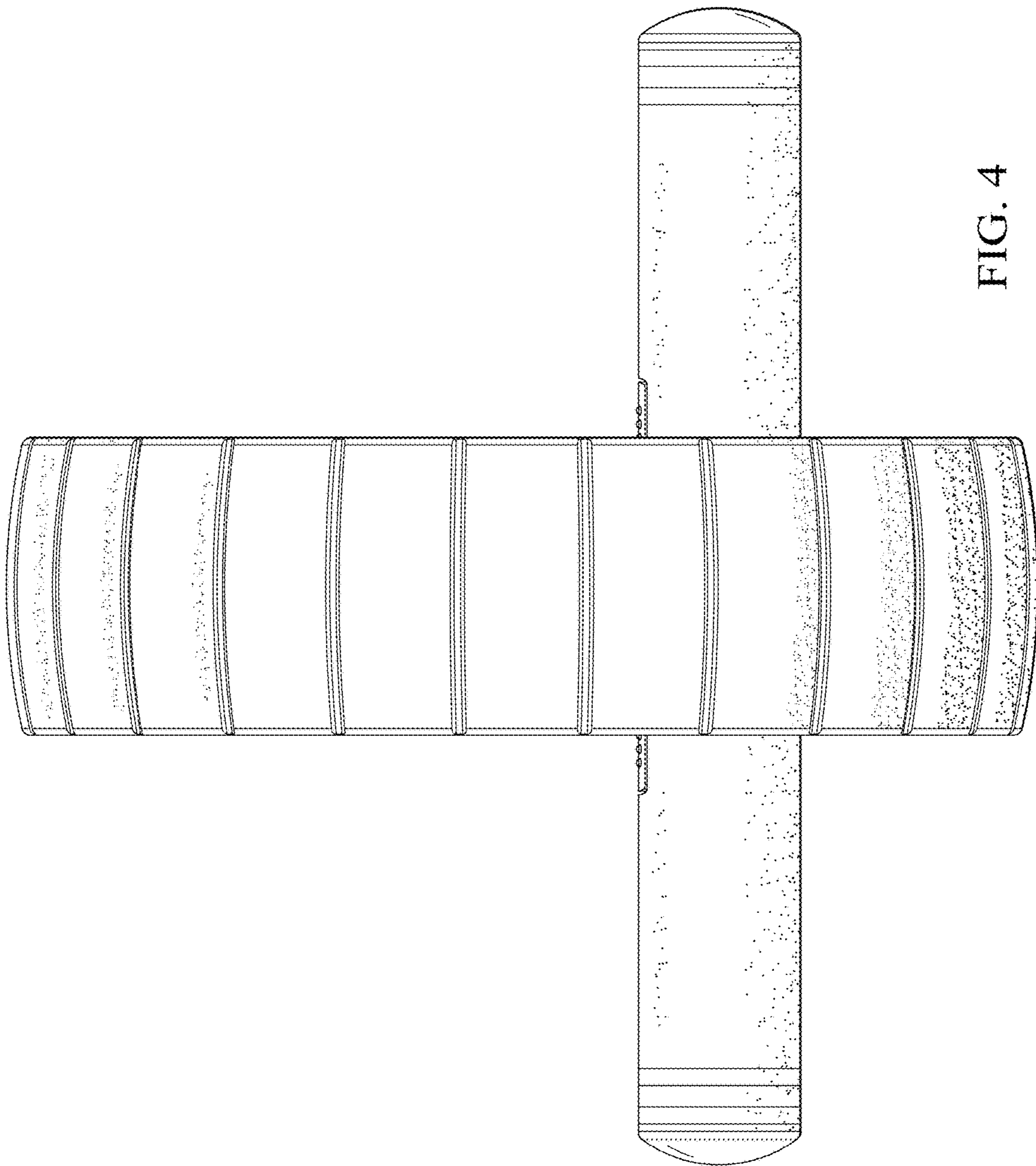


FIG. 4

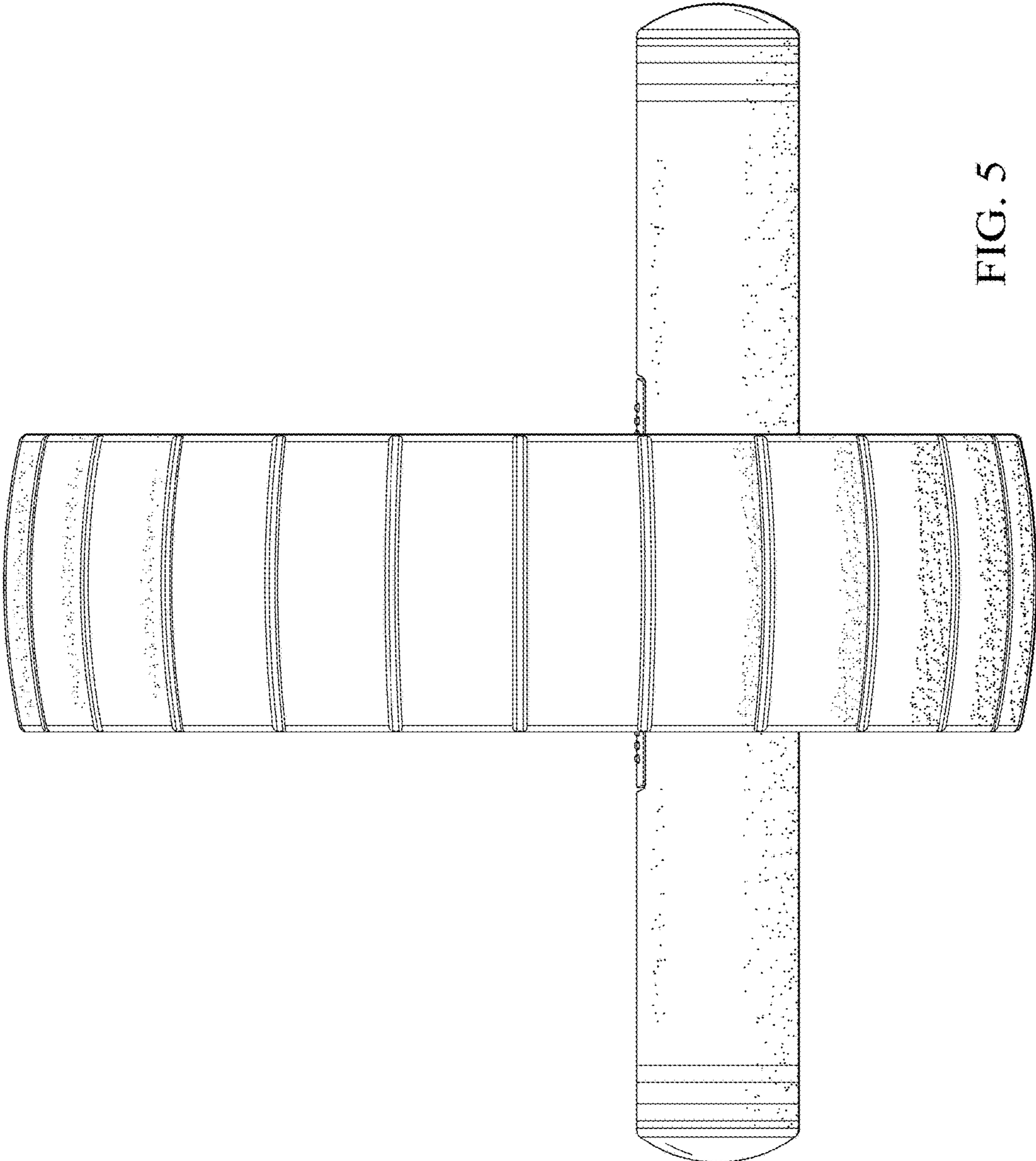


FIG. 5

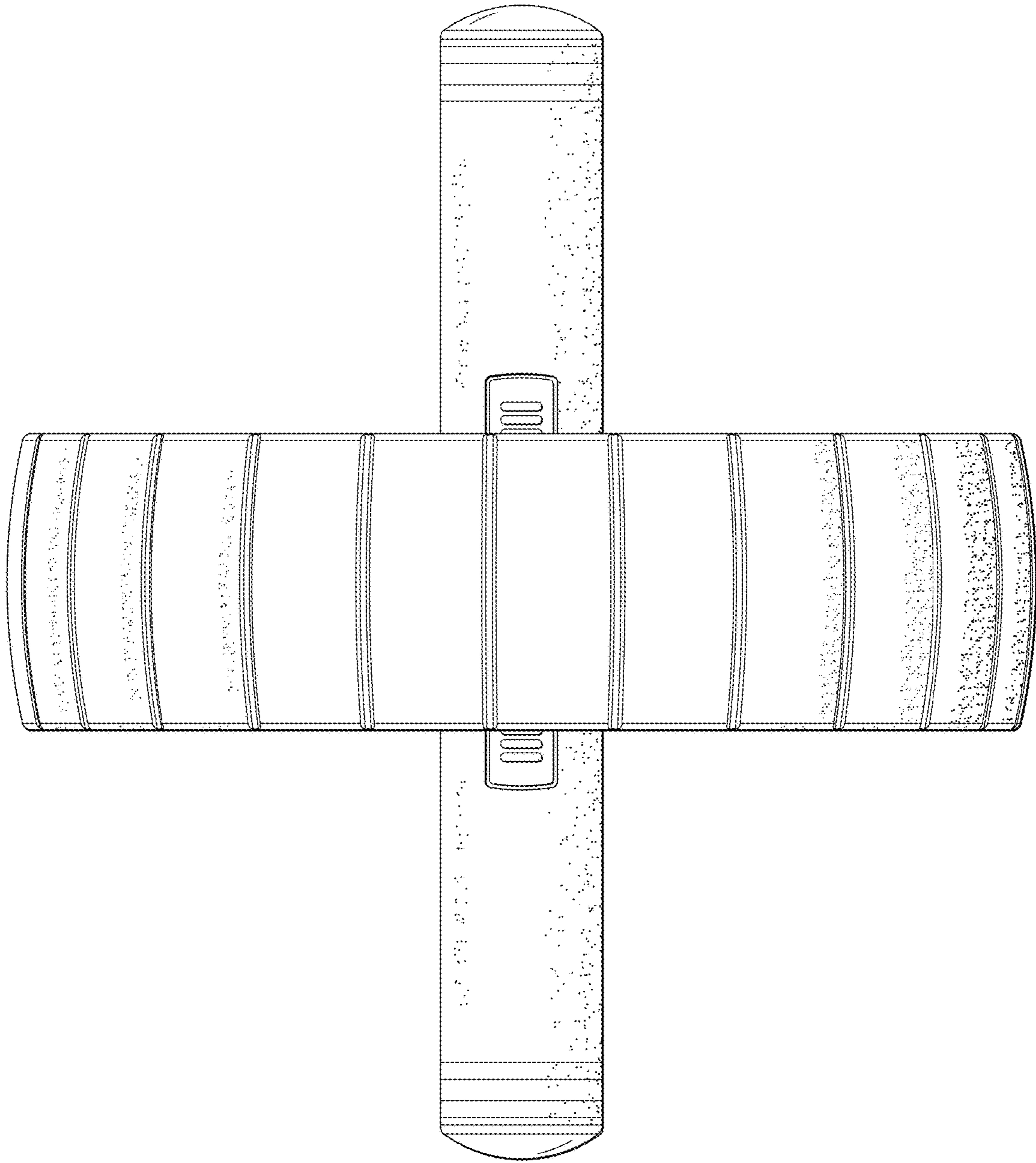


FIG. 6



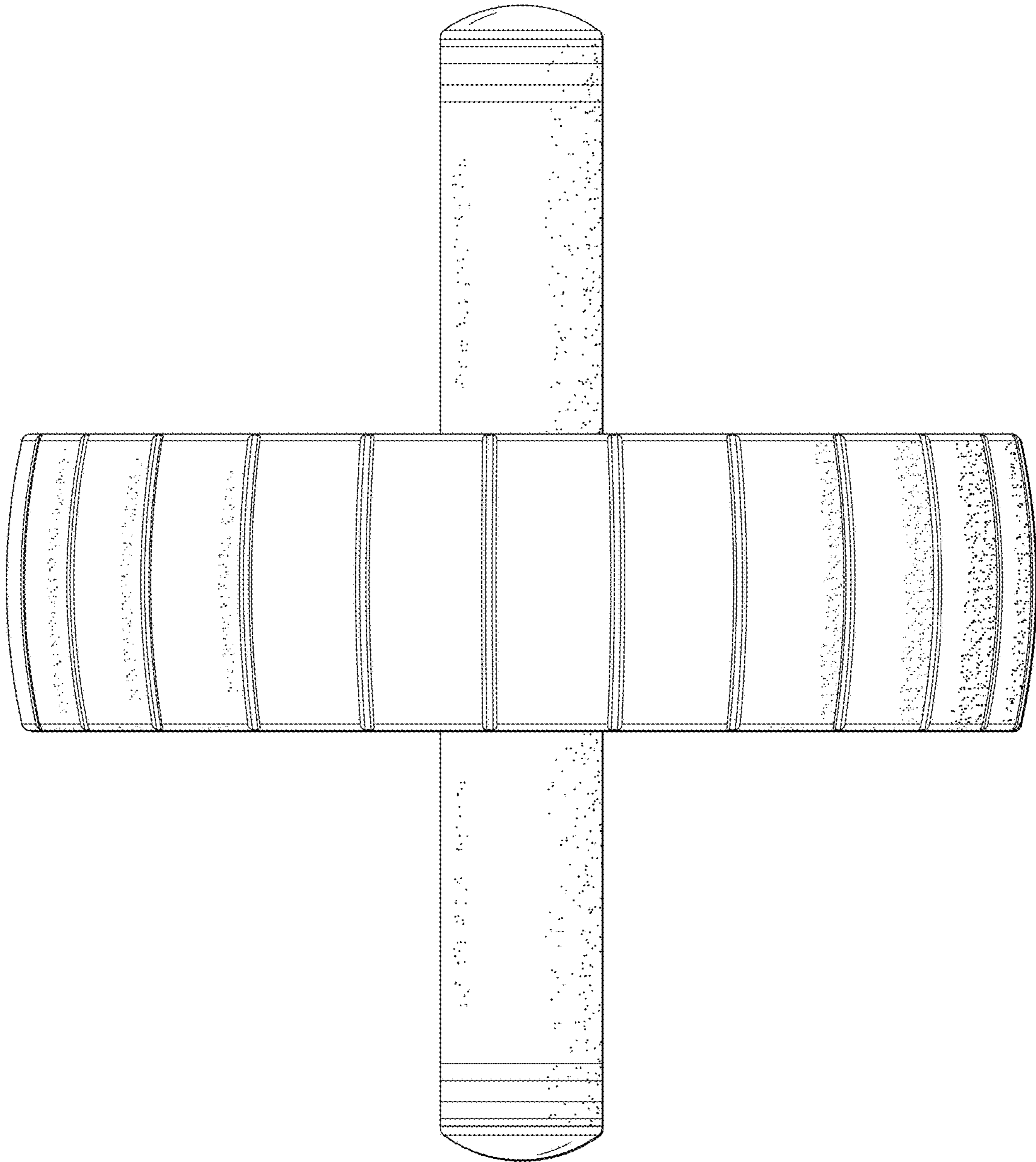


FIG. 7