



US00D815215S

(12) **United States Design Patent** (10) **Patent No.:** **US D815,215 S**
Desberg (45) **Date of Patent:** **** Apr. 10, 2018**

(54) **SCOOTER**
(71) Applicant: **RAZOR USA LLC**, Cerritos, CA (US)
(72) Inventor: **Ian Desberg**, Cerritos, CA (US)
(73) Assignee: **RAZOR USA LLC**, Cerritos, CA (US)
(**) Term: **15 Years**
(21) Appl. No.: **29/577,036**

2,439,556 A 4/1948 Bancroft
2,460,395 A 2/1949 Reid
2,546,711 A 3/1951 Amendt
3,006,659 A 10/1961 Krasnoff
(Continued)

FOREIGN PATENT DOCUMENTS

DE 19711042 A1 9/1998
FR 0396141 4/1909
GB 699673 A 11/1953

OTHER PUBLICATIONS

Dirt King, "Declaration of James R. Funk", -Alleged public use and service in 1985; drawings and xerographic copies of photographs, Dec. 14, 2000.

(Continued)

Primary Examiner — Cynthia M Chin
(74) *Attorney, Agent, or Firm* — Knobbe, Martens, Olson & Bear LLP

(22) Filed: **Sep. 8, 2016**
(51) **LOC (11) Cl.** **21-01**
(52) **U.S. Cl.**
USPC **D21/423**
(58) **Field of Classification Search**
USPC D21/419, 421, 423, 426-428, 435,
D21/668-671, 760, 765, 771; D12/1, 8,
D12/108, 111, 112, 113
CPC . B62K 3/002; B62K 9/00; B62K 9/02; B62K
13/00; B62K 2202/00
See application file for complete search history.

(57) **CLAIM**

The ornamental design for a scooter, as shown and described.

(56) **References Cited**

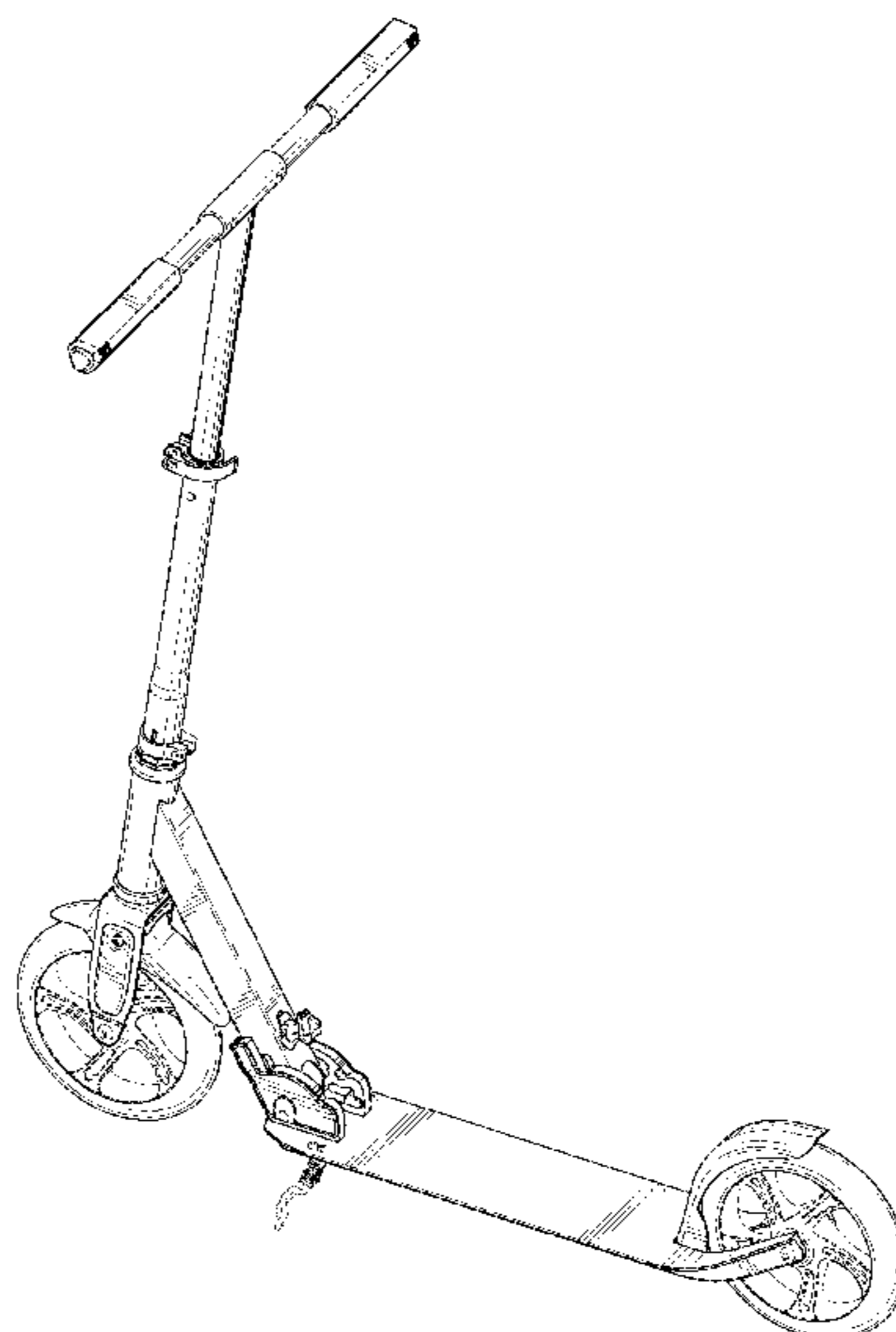
U.S. PATENT DOCUMENTS

606,525 A 6/1898 Dunning
628,433 A 7/1899 Finch
730,622 A 6/1903 Milton
1,297,282 A 3/1919 White
1,345,038 A 6/1920 Uppling
1,391,312 A 9/1921 Gebhardt
1,534,601 A 4/1925 Matveyeff
1,570,189 A 1/1926 Sturm
1,614,822 A 1/1927 Bukolt
1,653,558 A 12/1927 Fisher
1,658,068 A 2/1928 White
1,687,739 A 10/1928 Slusher
1,687,953 A 10/1928 Starks
1,701,410 A 2/1929 Hornquist
1,714,000 A 5/1929 Davis
1,968,975 A 8/1934 Upsacker et al.
2,198,667 A 4/1940 Hagenes

DESCRIPTION

FIG. 1 is a top, rear, left-side perspective view showing a scooter of my design;
FIG. 2 is a close-up view of a portion thereof;
FIG. 3 is a bottom, front, left-side view thereof;
FIG. 4 is a left-side view thereof;
FIG. 5 is a right-side view thereof;
FIG. 6 is a front view thereof;
FIG. 7 is a rear view thereof;
FIG. 8 is a top view thereof; and,
FIG. 9 is a bottom view thereof.
The broken lines are for the purpose of illustrating portions of the article that form no part of the claim.

1 Claim, 8 Drawing Sheets



(56)

References Cited

U.S. PATENT DOCUMENTS

3,288,251 A 11/1966 Paul
 3,396,928 A 8/1968 Lay
 3,484,116 A 12/1969 Allen
 3,684,305 A 8/1972 Mcdonald
 3,876,217 A 4/1975 Henri
 3,891,225 A 6/1975 Sessa
 4,003,582 A 1/1977 Maurer
 4,033,596 A 7/1977 Andorsen
 4,088,334 A 5/1978 Johnson
 4,102,541 A 7/1978 Altorfer et al.
 4,103,917 A 8/1978 Widolf
 4,144,822 A 3/1979 Roberts et al.
 4,166,629 A 9/1979 List
 4,169,687 A 10/1979 Schull
 4,179,134 A 12/1979 Atkinson
 4,202,559 A 5/1980 Piazza, Jr.
 4,394,029 A 7/1983 Holmgren
 4,584,735 A 4/1986 Garber
 4,707,884 A 11/1987 Chang
 4,735,392 A 4/1988 Farmer
 4,790,550 A 12/1988 Simpson
 4,795,181 A 1/1989 Armstrong
 4,799,701 A 1/1989 Lindau
 4,905,946 A 3/1990 Wang
 5,042,622 A 8/1991 Smith
 5,102,079 A 4/1992 Lee
 5,183,129 A 2/1993 Powell
 5,192,099 A 3/1993 Riutta
 5,238,082 A 8/1993 Stegeman et al.
 5,320,367 A 6/1994 Landis
 5,383,536 A 1/1995 Butter et al.
 5,437,425 A 8/1995 Hou
 5,630,633 A 5/1997 Dupre et al.
 5,692,761 A 12/1997 Havlovitz
 5,816,614 A 10/1998 Kramer, Jr. et al.
 5,848,660 A 12/1998 McGreen
 5,927,733 A 7/1999 Banda
 5,938,223 A 8/1999 Kotlier
 5,992,566 A 11/1999 Yeh
 6,120,044 A 9/2000 Tsai
 6,139,035 A 10/2000 Tsai

D435,873 S * 1/2001 Lee D21/423
 6,179,307 B1 1/2001 Mao
 6,182,988 B1 2/2001 Wu
 D438,912 S * 3/2001 Barrera D21/423
 D439,623 S * 3/2001 Barrera D21/423
 6,206,387 B1 3/2001 Tsai
 D446,259 S * 8/2001 Udwin D21/423
 D447,187 S * 8/2001 Powers D21/423
 D452,284 S * 12/2001 McGinnis D21/423
 6,378,880 B1 * 4/2002 Lin B62K 3/002
 280/87.05
 6,431,567 B2 8/2002 Tsai
 7,063,341 B2 6/2006 Tsai
 7,559,561 B2 7/2009 Tsai
 D654,963 S * 2/2012 Powers D21/423
 8,157,275 B2 4/2012 Tsai
 D671,600 S * 11/2012 Horne D21/423
 D684,217 S * 6/2013 Hadley D21/423
 8,474,840 B2 7/2013 Tsai
 D691,671 S * 10/2013 Chen D21/423
 D692,963 S * 11/2013 Radtke D21/423
 8,870,200 B2 * 10/2014 Chen B62B 3/001
 280/87.01
 D717,881 S * 11/2014 Radtke D21/423
 8,925,935 B2 * 1/2015 Powers B62K 3/002
 280/655.1
 9,422,021 B2 8/2016 Tsai
 2002/0093161 A1 * 7/2002 Udwin B62K 3/002
 280/87.05
 2013/0320648 A1 * 12/2013 Eckert B62K 3/002
 280/279
 2017/0043837 A1 2/2017 Tsai

OTHER PUBLICATIONS

Sharper Image Catalogue, Aug. 1998.
 Xerographic copy of photographs or advertisements relating to
 "K2"scooter, date unknown.
 Xerographic copy photos or advertisements relating to
 "Rollerboard" scooter, date unknown.
 Tranz X drawings, 1998.

* cited by examiner

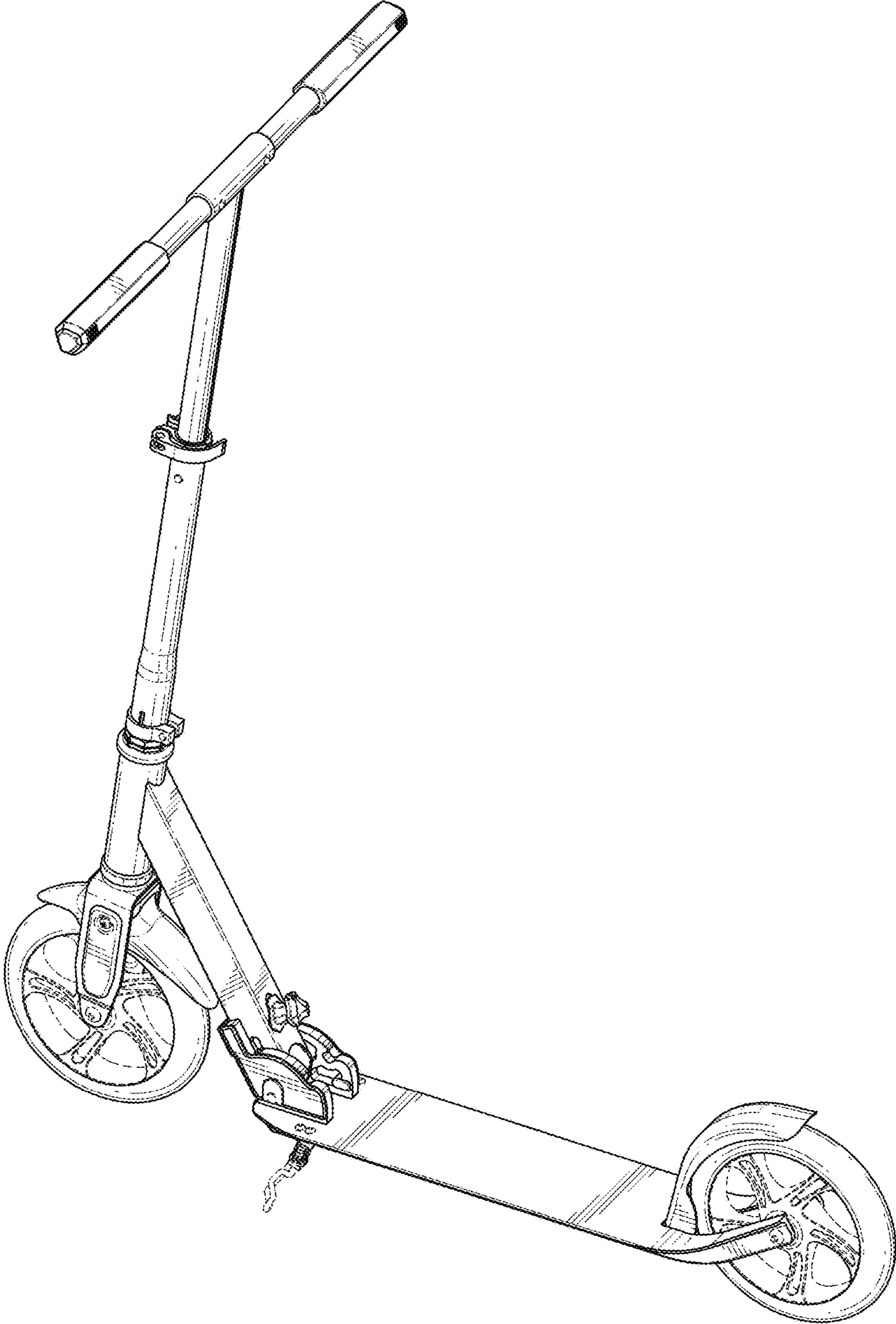


FIG. 1

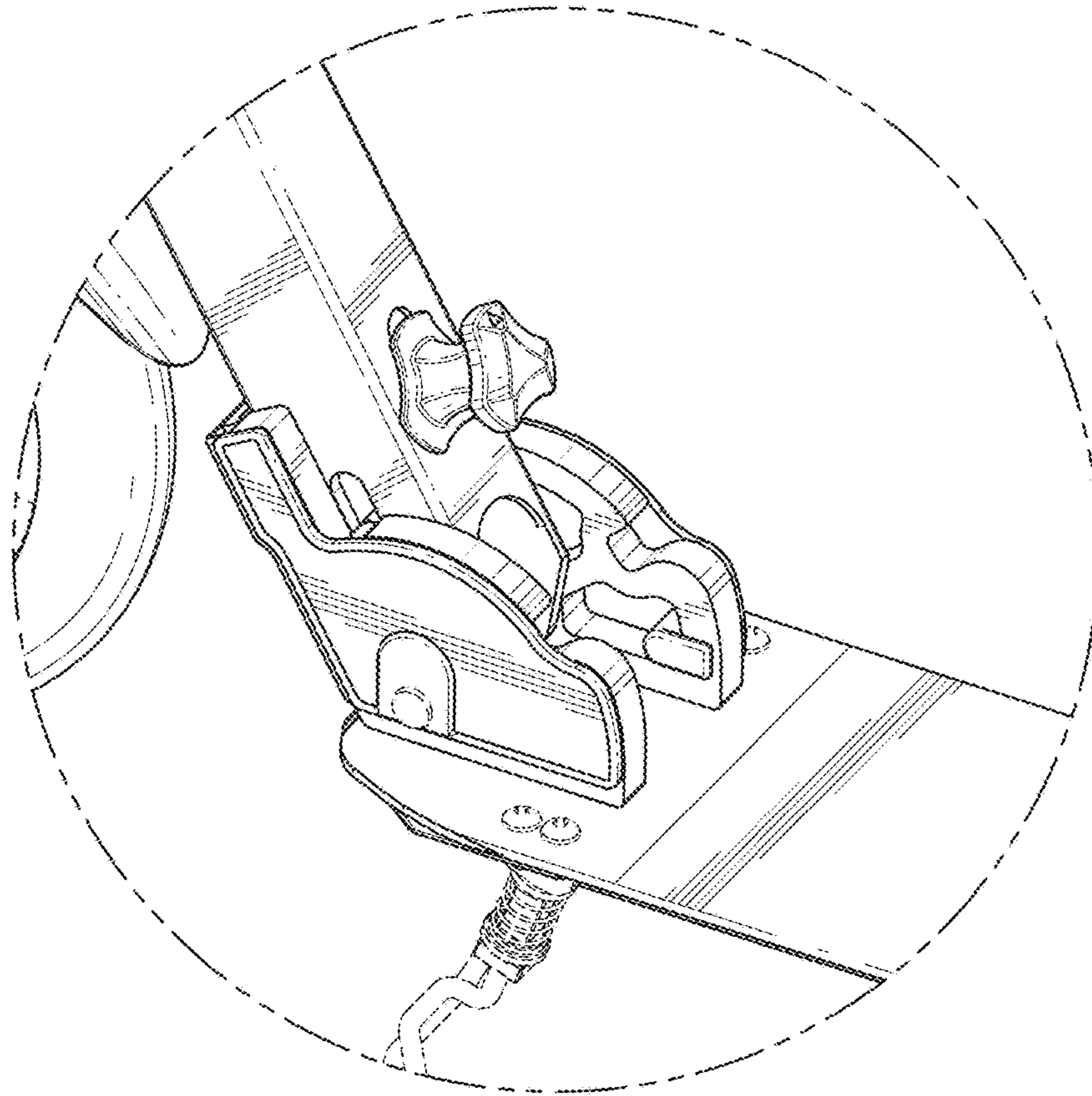


FIG. 2

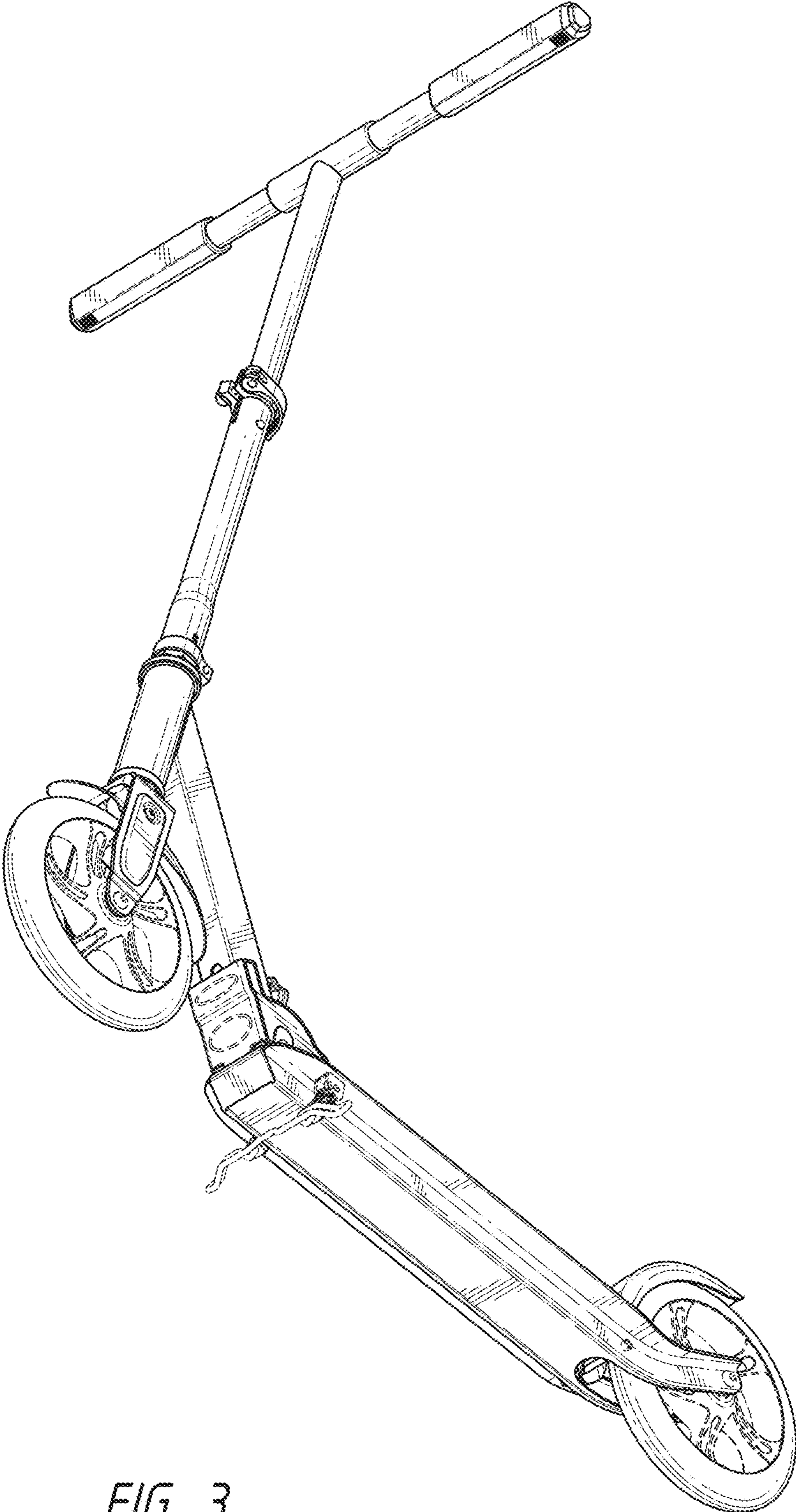


FIG. 3

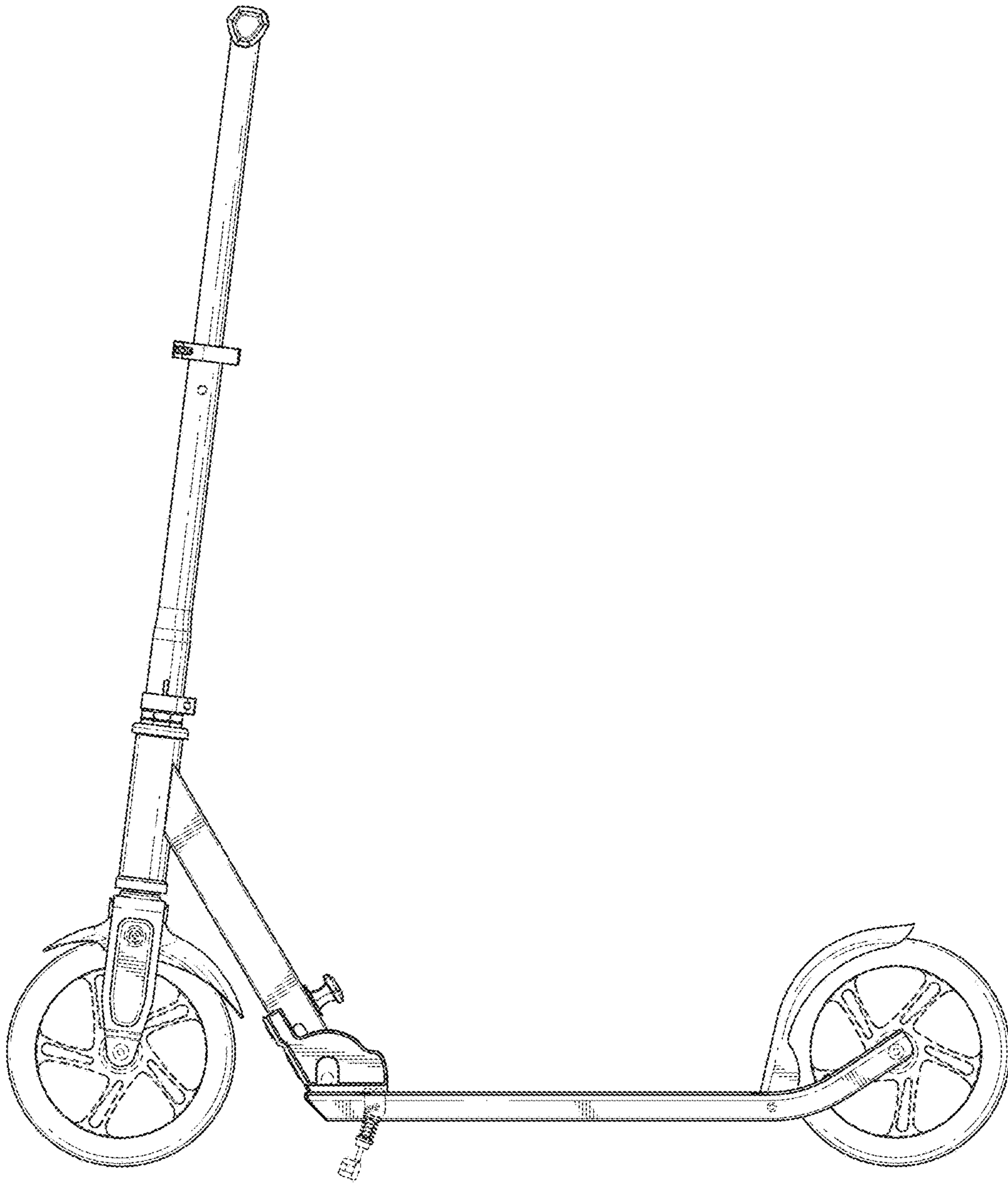


FIG. 4

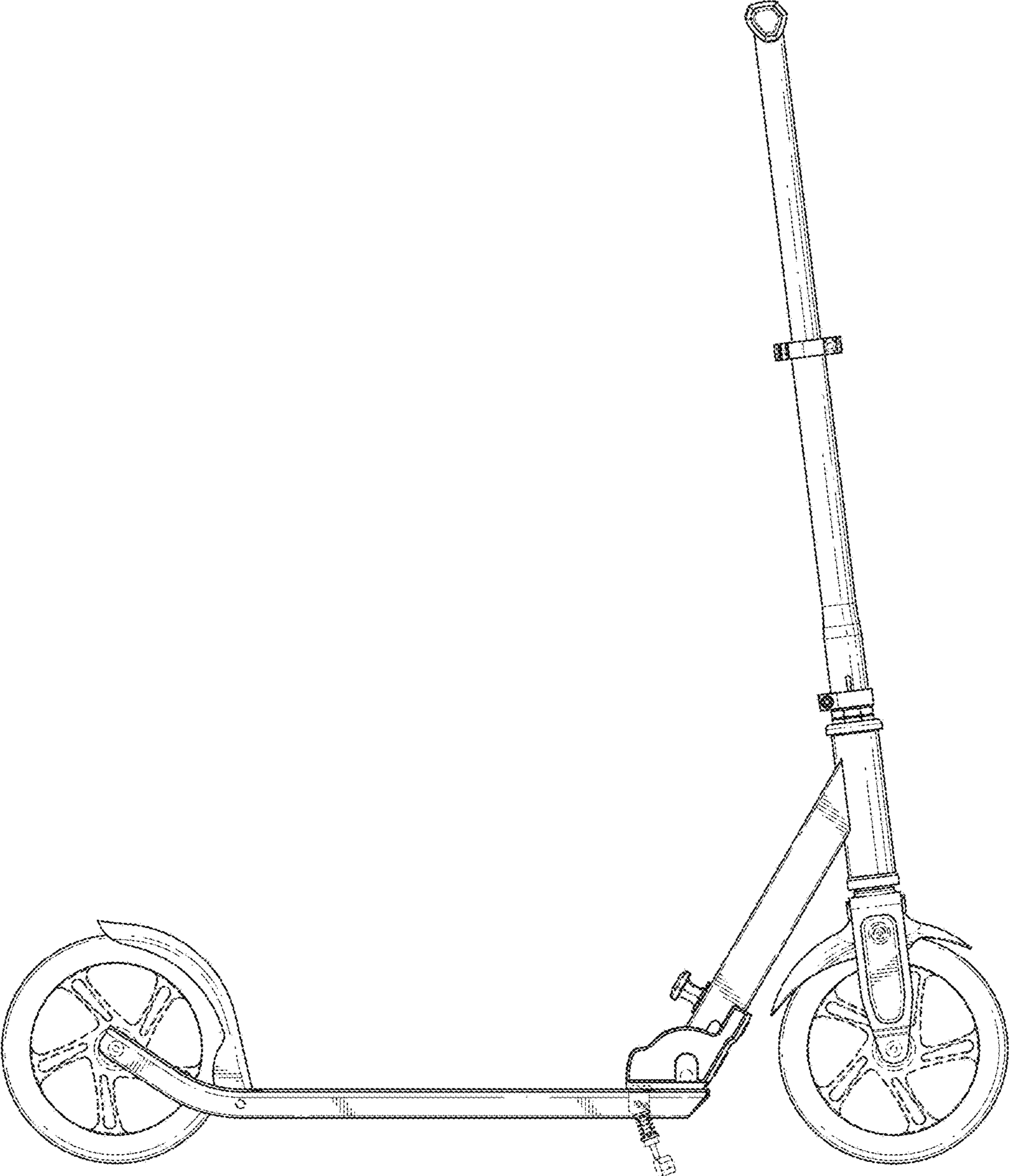


FIG. 5

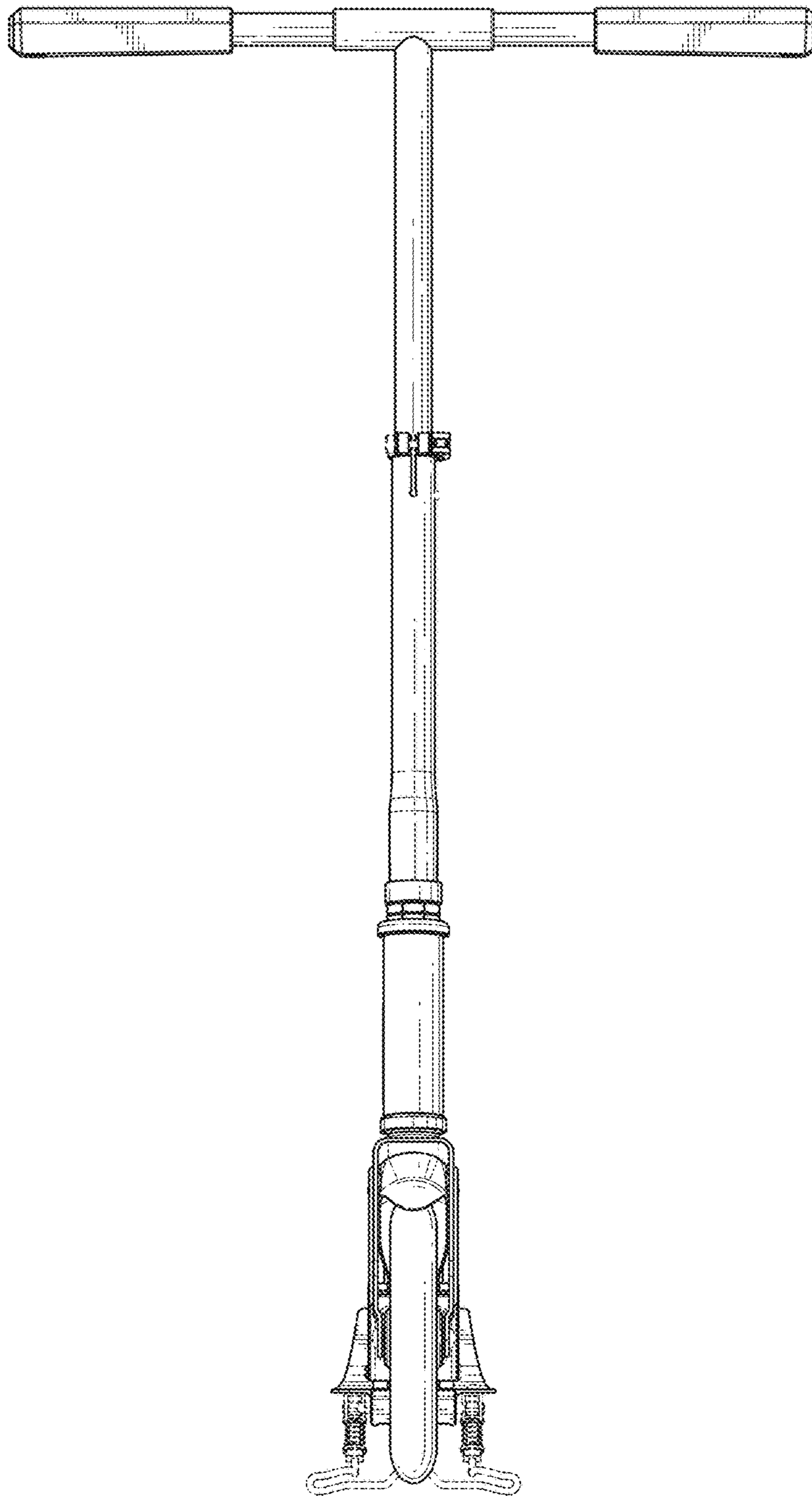


FIG. 6

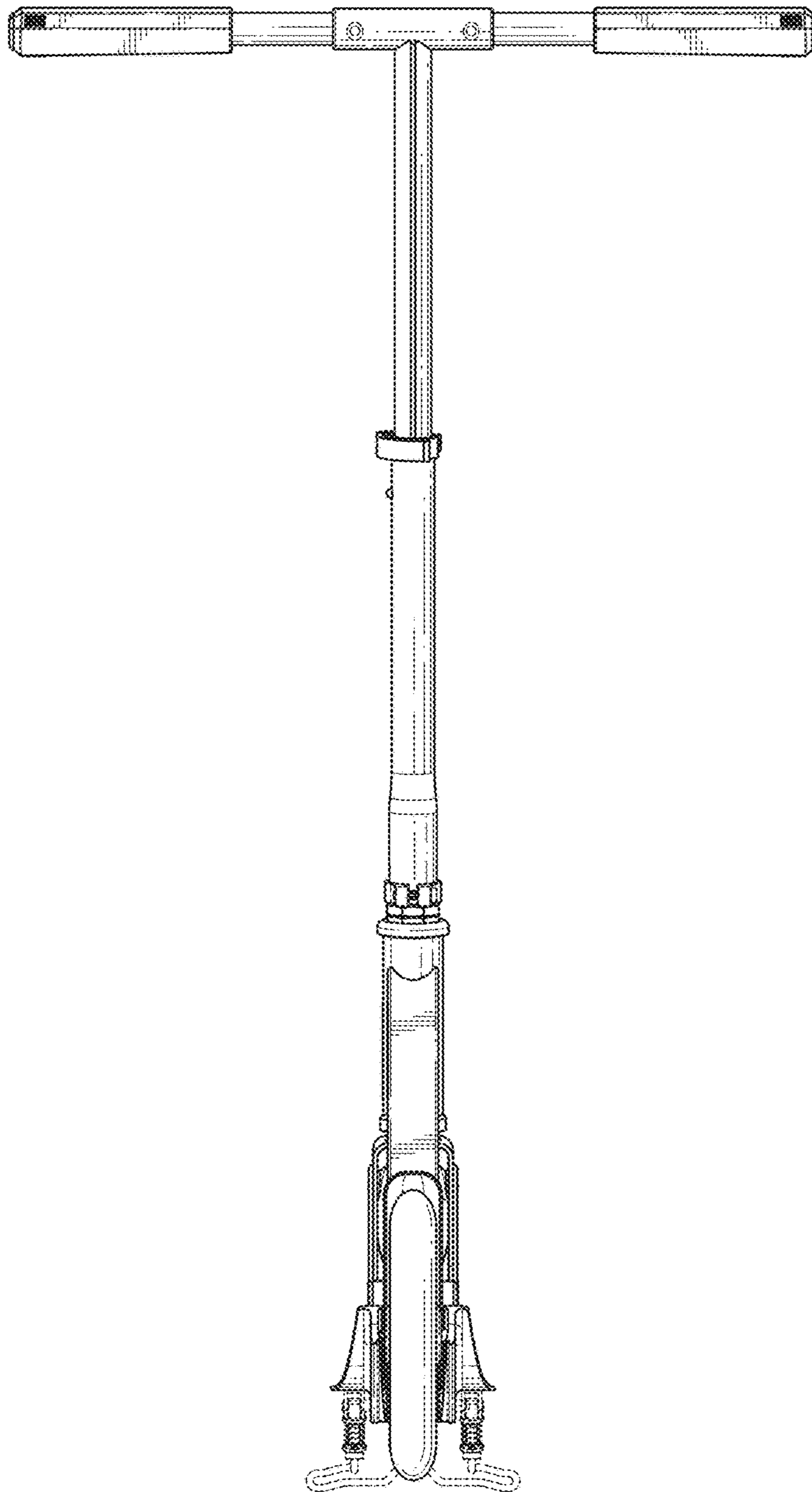


FIG. 7

