



US00D815214S

(12) **United States Design Patent**  
**Lacy et al.**

(10) **Patent No.:** **US D815,214 S**  
(45) **Date of Patent:** **\*\* Apr. 10, 2018**

(54) **AMUSEMENT ROCKING DEVICE**

A63G 1/40; A63G 11/00; A63G 13/00;  
A63G 13/06

See application file for complete search history.

(71) Applicant: **Plow and Hearth, LLC**, Madison, VA  
(US)

(56) **References Cited**

(72) Inventors: **Amanda Lacy**, Portland, ME (US);  
**Beverly Fries**, Barboursville, VA (US)

U.S. PATENT DOCUMENTS

(73) Assignee: **Plow & Hearth, LLC**, Madison, VA  
(US)

2,615,495	A *	10/1952	Hilliker .....	A63G 23/00 280/18.1
D168,843	S *	2/1953	Johnson .....	D6/369
2,878,858	A *	3/1959	Winchester .....	A63G 23/00 114/363
D191,306	S *	9/1961	Grosskopf .....	D6/349
3,255,467	A *	6/1966	Kowalski .....	A45B 23/00 135/128
D205,978	S *	10/1966	Zavodny .....	D21/688

(\*\*) Term: **15 Years**

(Continued)

(21) Appl. No.: **29/540,524**

FOREIGN PATENT DOCUMENTS

(22) Filed: **Sep. 25, 2015**

DE	402010003939-0001	*	2/2011
EM	002188904-0001	*	5/2013
HU	89679-0001	*	10/2003

(51) **LOC (11) Cl.** ..... **21-01**

(52) **U.S. Cl.**  
USPC ..... **D21/412**

OTHER PUBLICATIONS

(58) **Field of Classification Search**

USPC ..... D21/662, 686, 694, 412-418, 419, 421,  
D21/797, 811, 814, 826, 830, 305,  
D21/687-691, 695, 705, 790, 823, 825,  
D21/828, 831; D6/344, 348, 329,  
D6/332-335, 340, 345, 346, 347,  
D6/351-355, 358, 361, 369, 372,  
D6/374-377, 383, 385-388, 708, 708.1,  
D6/708.15, 708.16, 708.19, 708.2, 711.1,  
D6/715, 715.2, 716, 716.1, 716.4, 716.8,  
D6/717, 717.1, 717.2, 718, 718.1, 718.11,  
D6/718.12, 718.29; 472/14, 25, 40, 106,  
472/108-114, 135; 483/142, 146;  
446/396

Shallow Swing: Potato Chip Chair shown on webpage: <http://web.archive.org/web/20131228170946/http://www.ippinka.com/blog/shallow-swing-potato-chip-chair/> Internet Archive capture date; Dec. 28, 2013 Retrieved: Jun. 23, 2017.\*

(Continued)

*Primary Examiner* — Catherine A Tuttle  
(74) *Attorney, Agent, or Firm* — Banner & Witcoff, Ltd.

(57) **CLAIM**

The ornamental design for an amusement rocking device, as shown and described.

**DESCRIPTION**

FIG. 1 is a top front and side perspective view of an amusement rocking device showing our new design;  
FIG. 2 is a perspective left side view thereof;  
FIG. 3 is a perspective right side view thereof;

(Continued)

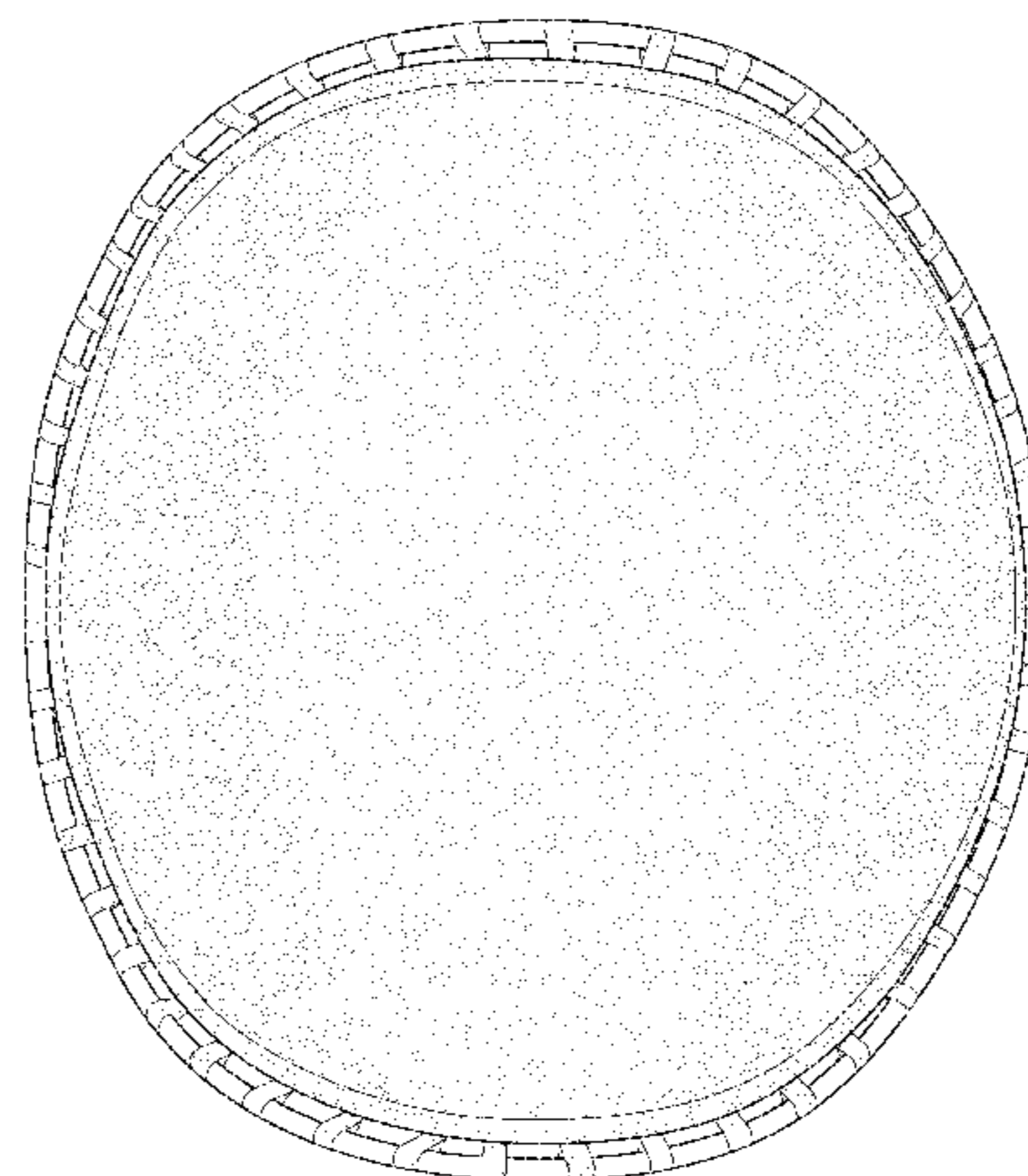
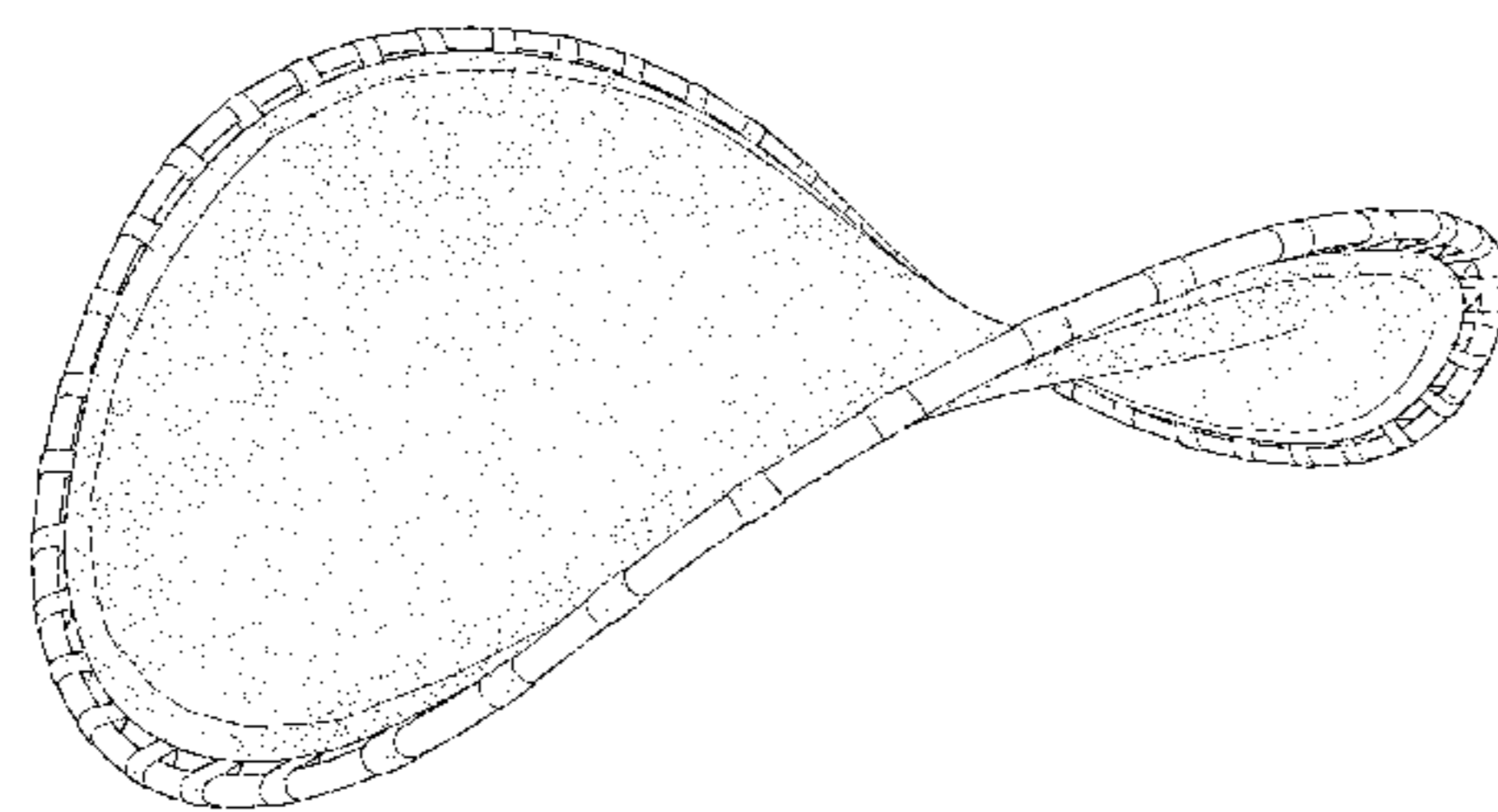


FIG. 4 is a perspective front view thereof;  
FIG. 5 is a perspective rear view thereof;  
FIG. 6 is a perspective top view thereof; and,  
FIG. 7 is a perspective bottom view thereof.

**1 Claim, 7 Drawing Sheets**

(56)

**References Cited**

U.S. PATENT DOCUMENTS

3,356,412 A \* 12/1967 Grondstra ..... A47D 13/102  
297/271.6  
D214,388 S \* 6/1969 Johnson ..... D21/417  
3,862,768 A \* 1/1975 England ..... A63B 21/0004  
280/205  
3,895,794 A \* 7/1975 England ..... A63B 22/16  
482/146  
3,960,161 A \* 6/1976 Norman ..... E04H 15/18  
135/126

D256,141 S \* 7/1980 Lubbe ..... D21/412  
D377,812 S \* 2/1997 Rister ..... D21/412  
D441,040 S \* 4/2001 Cho ..... D21/705  
D515,340 S \* 2/2006 Gasser ..... D6/716.4  
D535,444 S \* 1/2007 Rahman ..... D30/118  
D788,241 S \* 5/2017 Ho ..... D21/797  
D788,868 S \* 6/2017 Bisang ..... D21/797  
2003/0060309 A1 \* 3/2003 Smith, IV ..... A63B 69/0002  
473/431  
2009/0093352 A1 \* 4/2009 Krupa ..... A63B 21/0004  
482/122  
2014/0315691 A1 \* 10/2014 Turner ..... A63B 26/003  
482/27

OTHER PUBLICATIONS

Shallow Swing Potato Chip Chair [online], [retrieved 9/2515].  
Retrieved from Internet <URL: <http://www.shallowswing.de/>>; 6  
color sheets.

\* cited by examiner

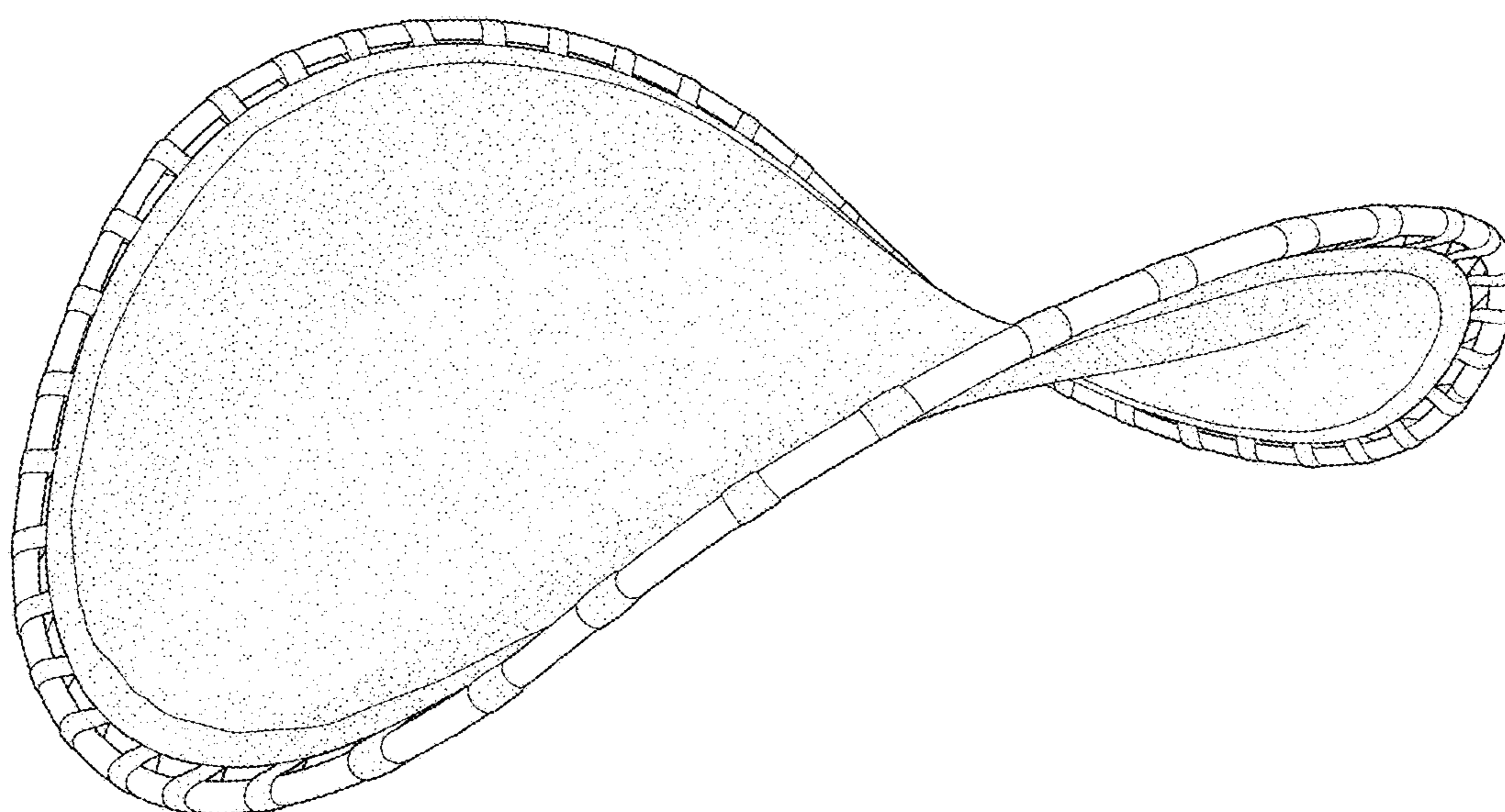


FIG. 1

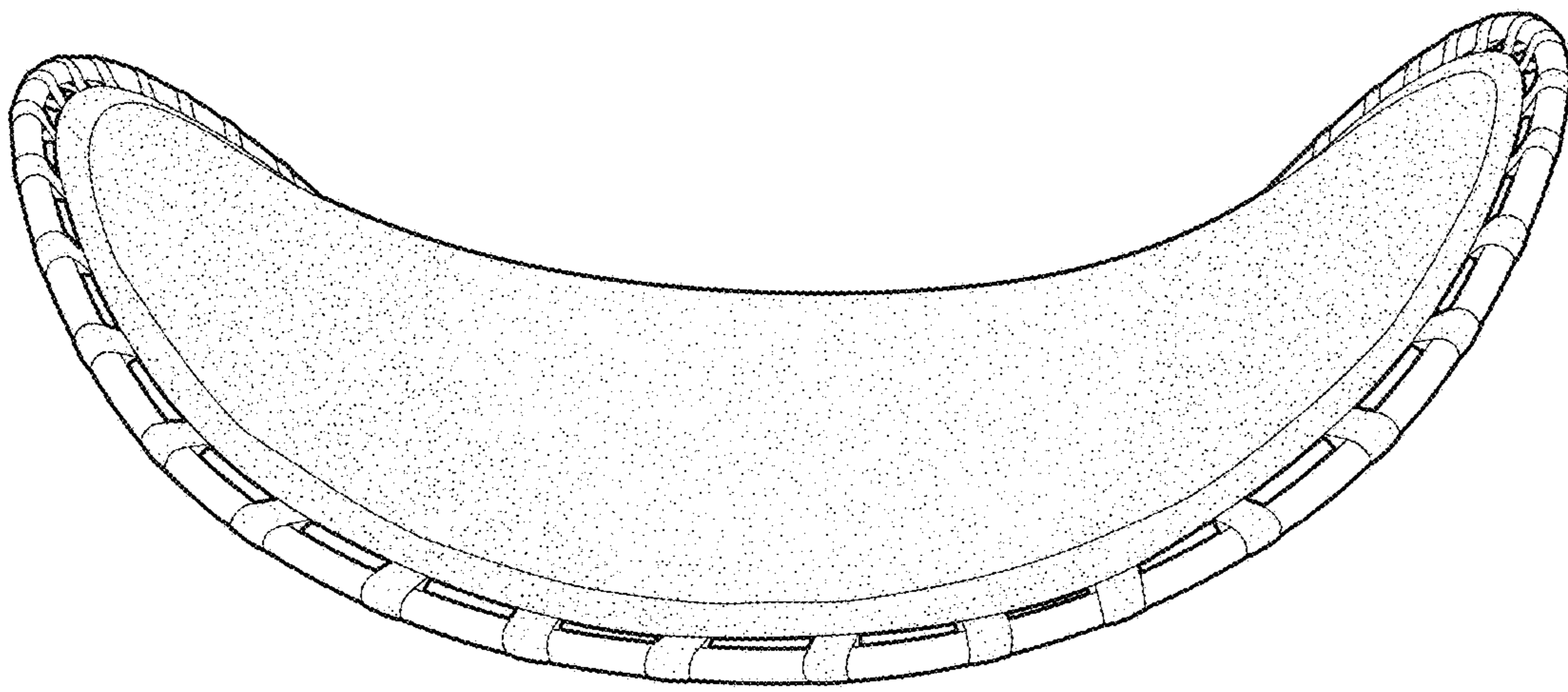


FIG. 2

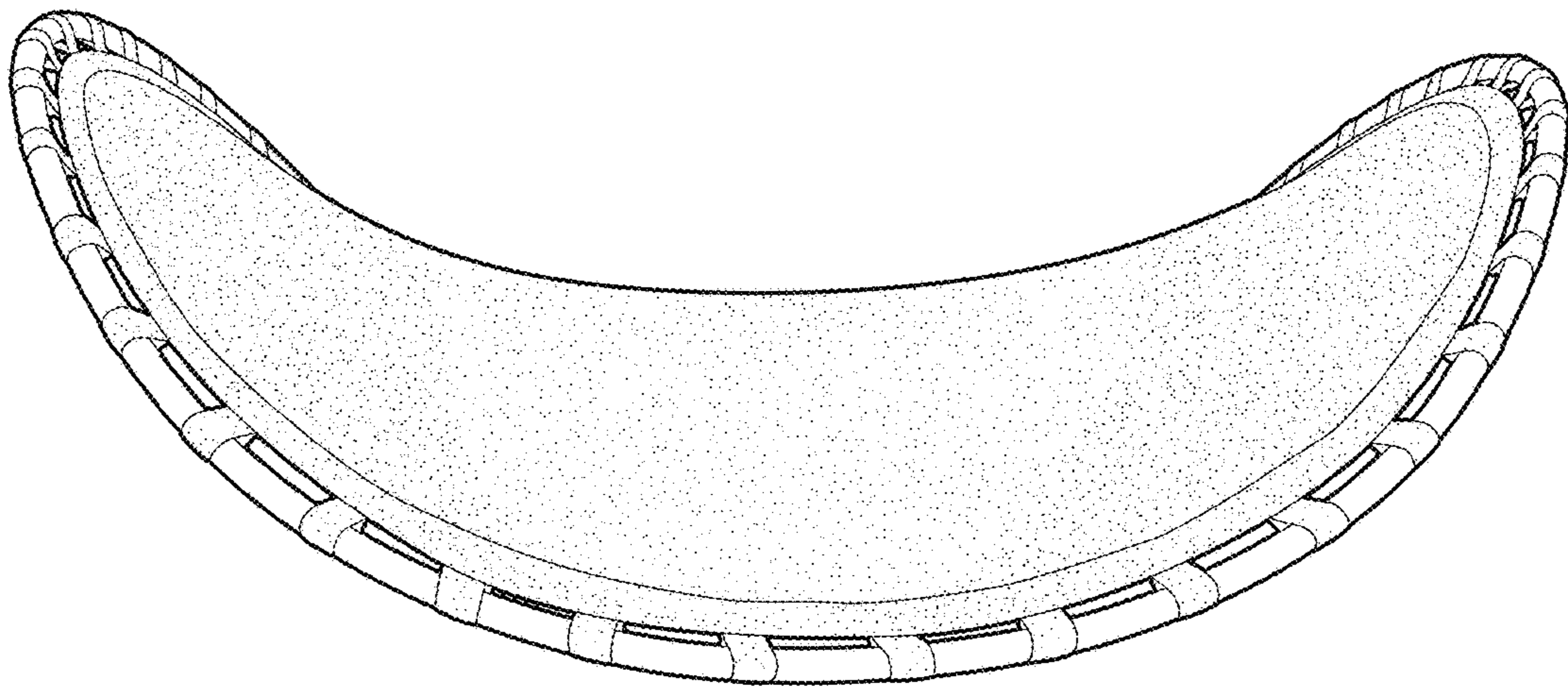


FIG. 3

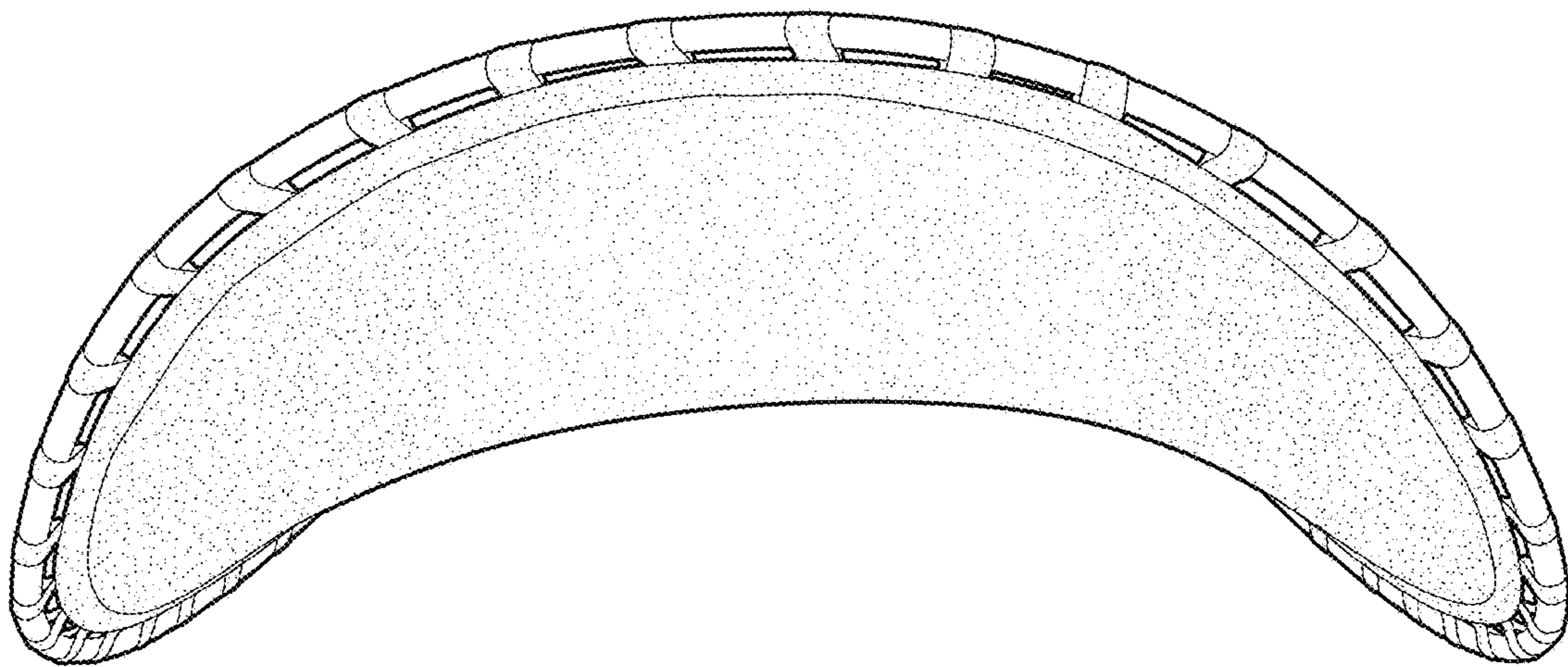


FIG. 4

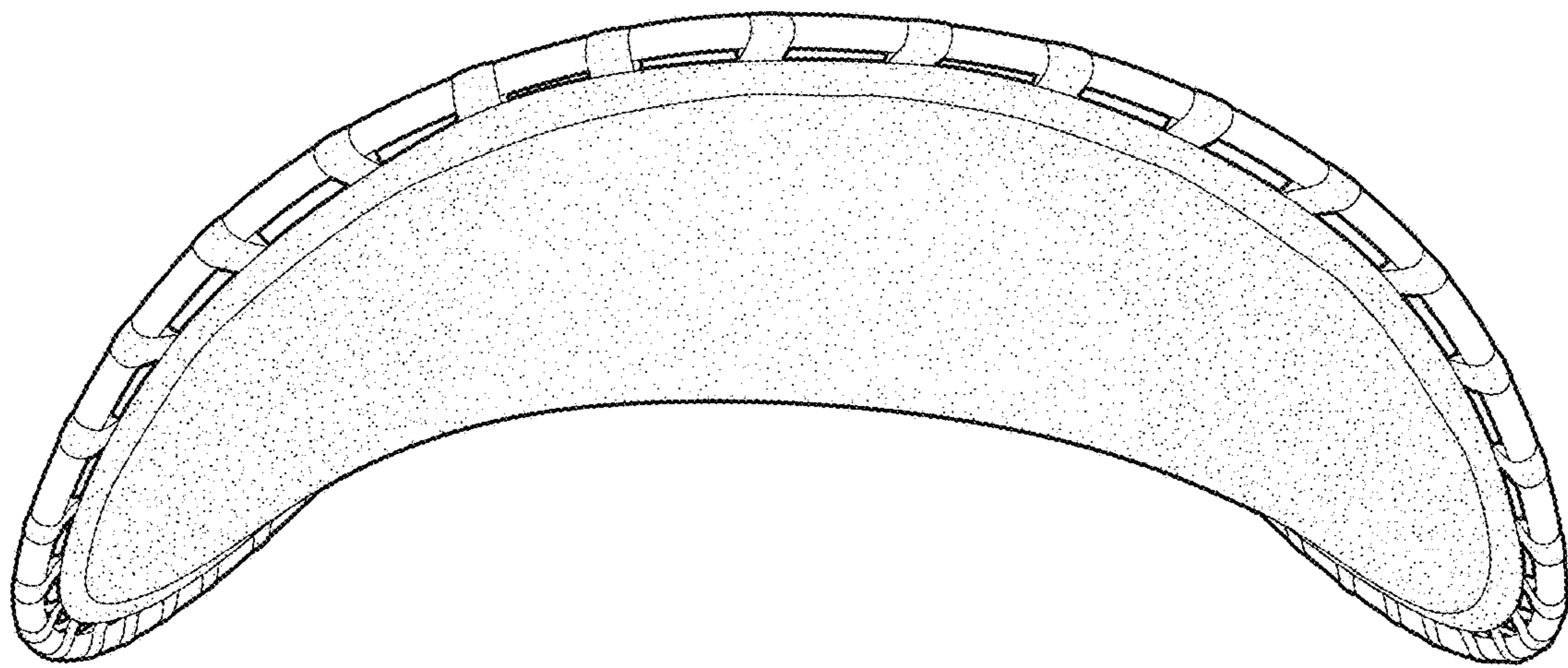


FIG. 5

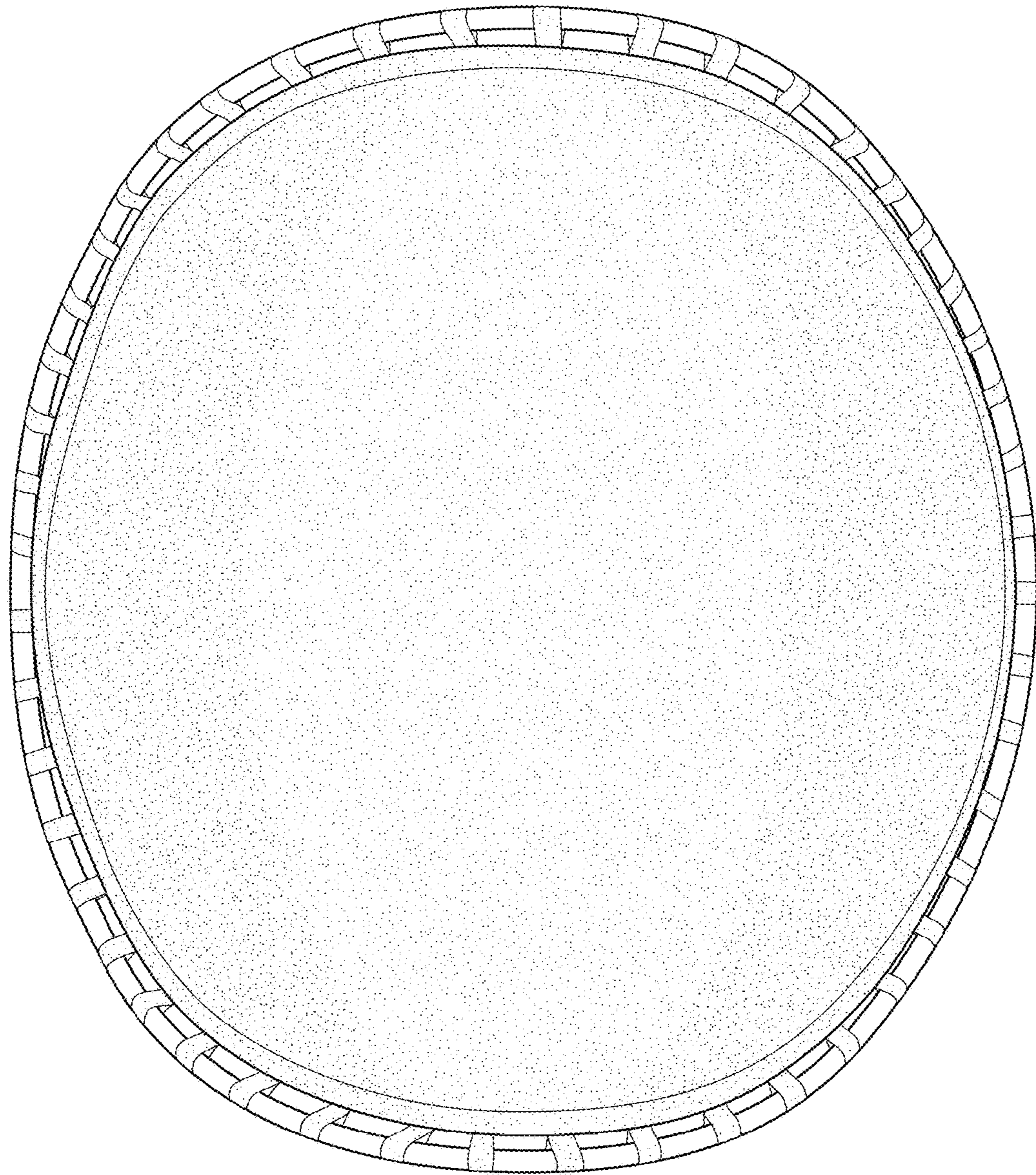


FIG. 6



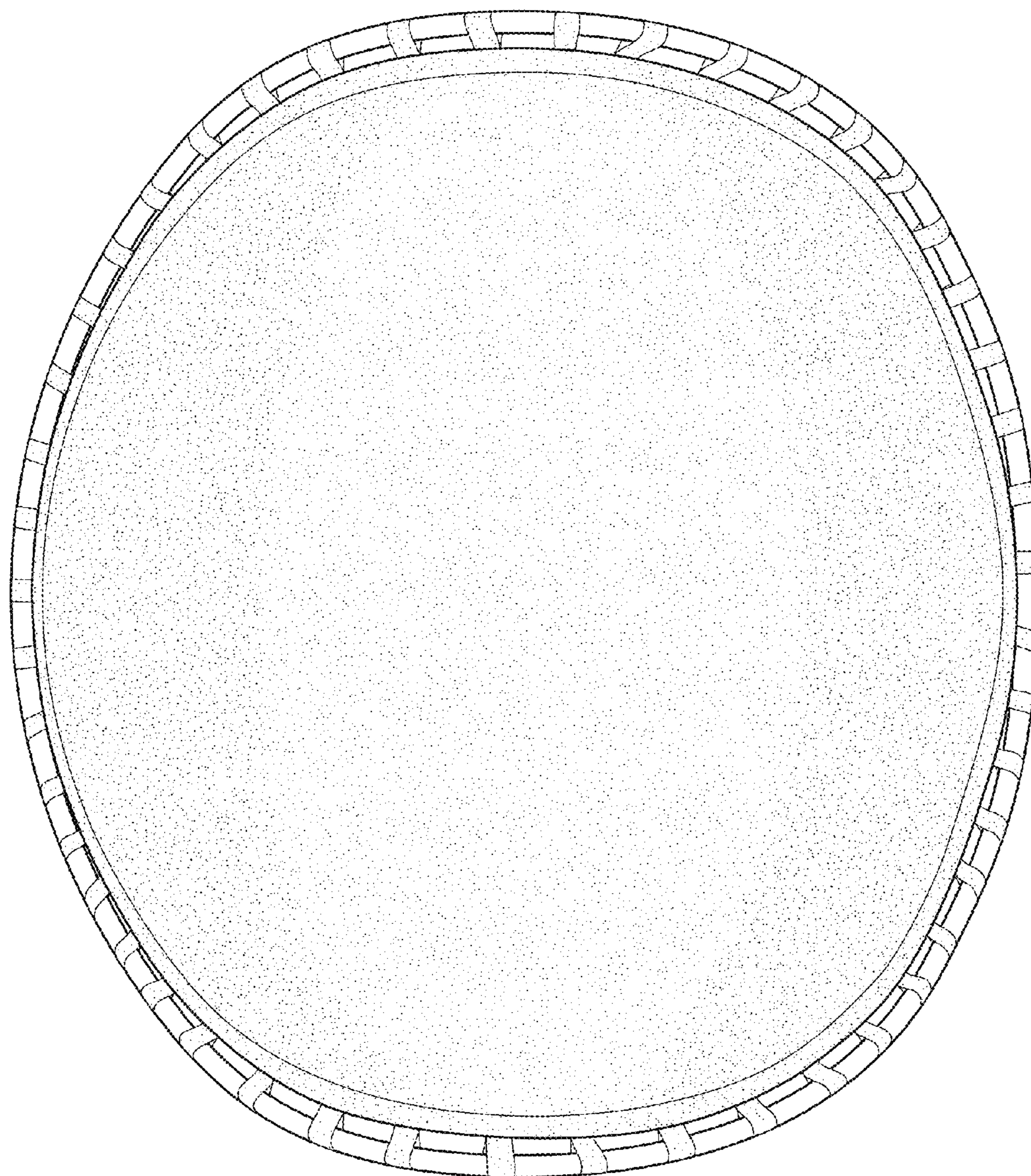


FIG. 7