



US00D815210S

(12) **United States Design Patent** (10) **Patent No.:** **US D815,210 S**
Chen et al. (45) **Date of Patent:** **** Apr. 10, 2018**

(54) **HAND-HELD CONTROLLER FOR VIRTUAL-REALITY SYSTEM**

(71) Applicant: **Oculus VR, LLC**, Menlo Park, CA (US)

(72) Inventors: **Yi-yaun Chen**, Seattle, WA (US); **Peter Wesley Bristol**, Seattle, WA (US); **Robert Hubler**, Seattle, WA (US); **Quintin Morris**, Issaquah, WA (US)

(73) Assignee: **Oculus VR, LLC**, Menlo Park, CA (US)

(**) Term: **15 Years**

(21) Appl. No.: **29/595,346**

(22) Filed: **Feb. 27, 2017**

Related U.S. Application Data

(63) Continuation of application No. 29/529,981, filed on Jun. 11, 2015, now Pat. No. Des. 780,807.

(51) **LOC (11) Cl.** **21-01**

(52) **U.S. Cl.**
USPC **D21/333**; D14/496; D14/203.3; D14/203.5

(58) **Field of Classification Search**

USPC D14/496, 401, 435, 474, 483, 217, 137, D14/138, 160, 168, 356, 203.1–203.8, D14/507; 345/156, 169, 173–179, 905; 715/727–729, 864, 700, 706, 719; 710/1, 710/5, 8; 713/1, 600; 455/1.1, 1.7, 73, 455/344–347, 93, 95, 3.01–3.06, 550.1, 455/573.1; 370/342–344; 369/1, 2,
(Continued)

(56) **References Cited**

U.S. PATENT DOCUMENTS

5,265,009 A * 11/1993 Colavita A63F 1/18
273/148 R
D418,879 S 1/2000 Hornsby et al.
(Continued)

OTHER PUBLICATIONS

Chen, Office Action, U.S. Appl. No. 29/529,981, Apr. 7, 2016, 5 pgs.
(Continued)

Primary Examiner — Prabhakar G Deshmukh
(74) *Attorney, Agent, or Firm* — Morgan, Lewis & Bockius LLP

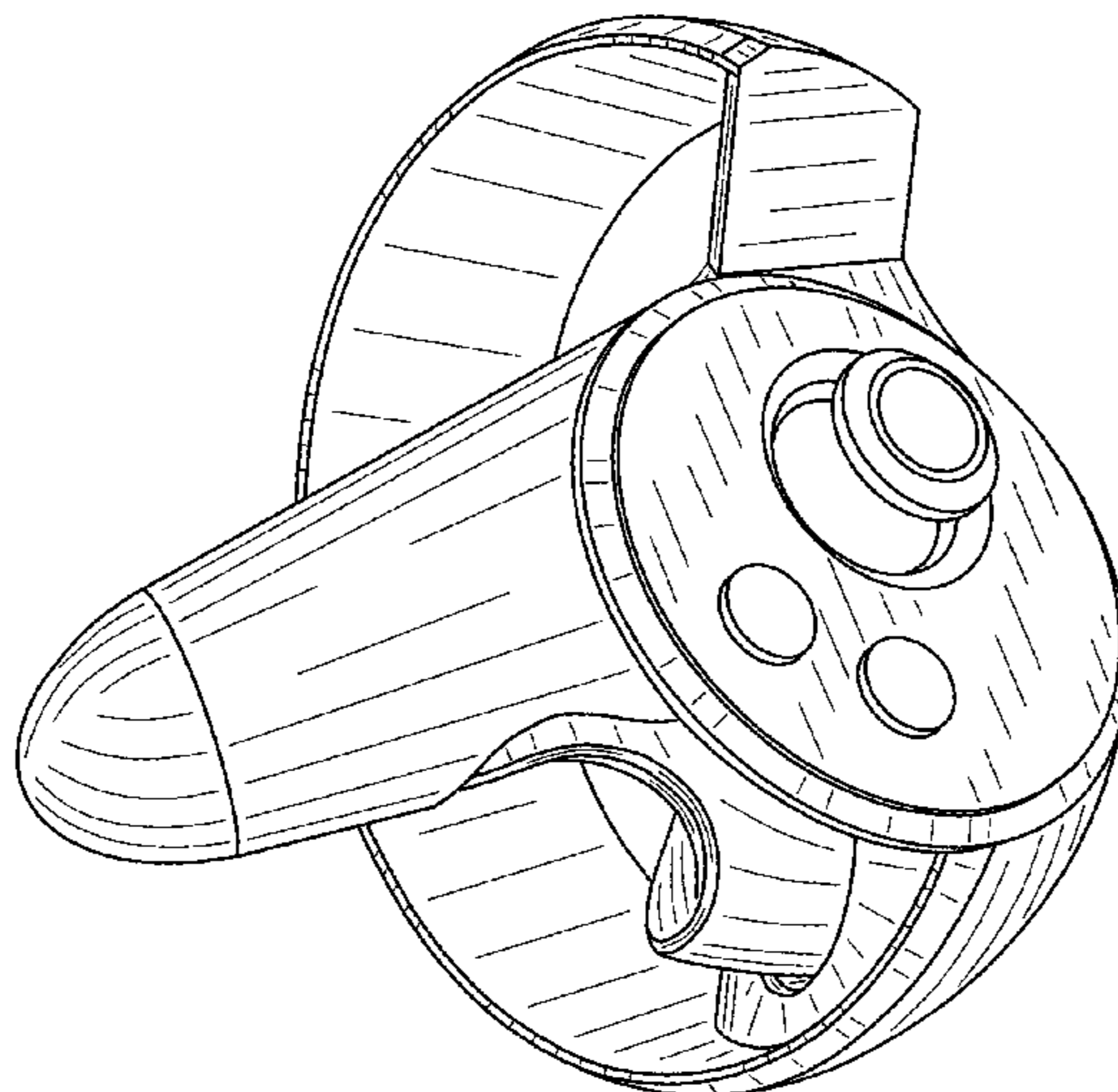
(57) **CLAIM**

The ornamental design for a hand-held controller for virtual-reality system, as shown and described.

DESCRIPTION

FIG. 1 is a top, left perspective view of a hand-held controller for virtual reality system showing our new design; FIG. 2 is a top, right perspective view thereof; FIG. 3 is a top, right-rear perspective view thereof; FIG. 4 is a top plan view thereof; FIG. 5 is a left side elevational view thereof; FIG. 6 is a right side elevational view thereof; FIG. 7 is a right-rear elevational view thereof; FIG. 8 is a left-rear elevational view thereof; FIG. 9 is a rear elevational view thereof; FIG. 10 is a bottom-right perspective view thereof; and, FIG. 11 is a bottom view of the design of FIGS. 1-10. The broken lines indicate unclaimed portions and form no part of the claimed design. The claimed design discloses a left-hand use of the article and it is understood that the right-hand use of the article is the mirror image of the disclosed claimed design.

1 Claim, 11 Drawing Sheets



US D815,210 S

Page 2

(58) **Field of Classification Search**

USPC 369/6-12; 463/51-57, 40-47, 1, 29-35;
D21/324, 328, 333; 273/148 B;
D10/46.1

CPC .. A63F 13/00; A63F 13/02; A63F 9/00; G06F
17/00; G06F 19/00

See application file for complete search history.

D729,803 S * 5/2015 Avery D14/401
9,141,087 B2 * 9/2015 Brown G04F 10/00
D742,972 S 11/2015 Corrigan et al.
9,421,472 B2 * 8/2016 Buller A63F 13/24
D772,986 S * 11/2016 Chen D14/203.3
D780,807 S * 3/2017 Chen D14/203.3
D795,959 S * 8/2017 Chen D14/203.3
D800,841 S * 10/2017 Chen D21/333
D802,055 S * 11/2017 Chen D21/333
2016/0364910 A1 * 12/2016 Higgins G02B 27/017
2017/0128828 A1 * 5/2017 Long A63F 13/235

(56) **References Cited**

U.S. PATENT DOCUMENTS

6,430,110 B2 8/2002 Baroche
6,970,157 B2 11/2005 Siddeeq
7,106,197 B2 * 9/2006 Gaiotto B64D 45/0015
340/539.11
D586,823 S * 2/2009 Anderson D14/496
D616,417 S 5/2010 Liao
8,188,842 B2 5/2012 Otsuka et al.

OTHER PUBLICATIONS

Chen, Notice of Allowance, U.S. Appl. No. 29/529,981, Oct. 19,
2016, 7 pgs.
Chen, Notice of Allowance, U.S. Appl. No. 29/595,343, Jan. 2,
2018, 6 pgs.

* cited by examiner

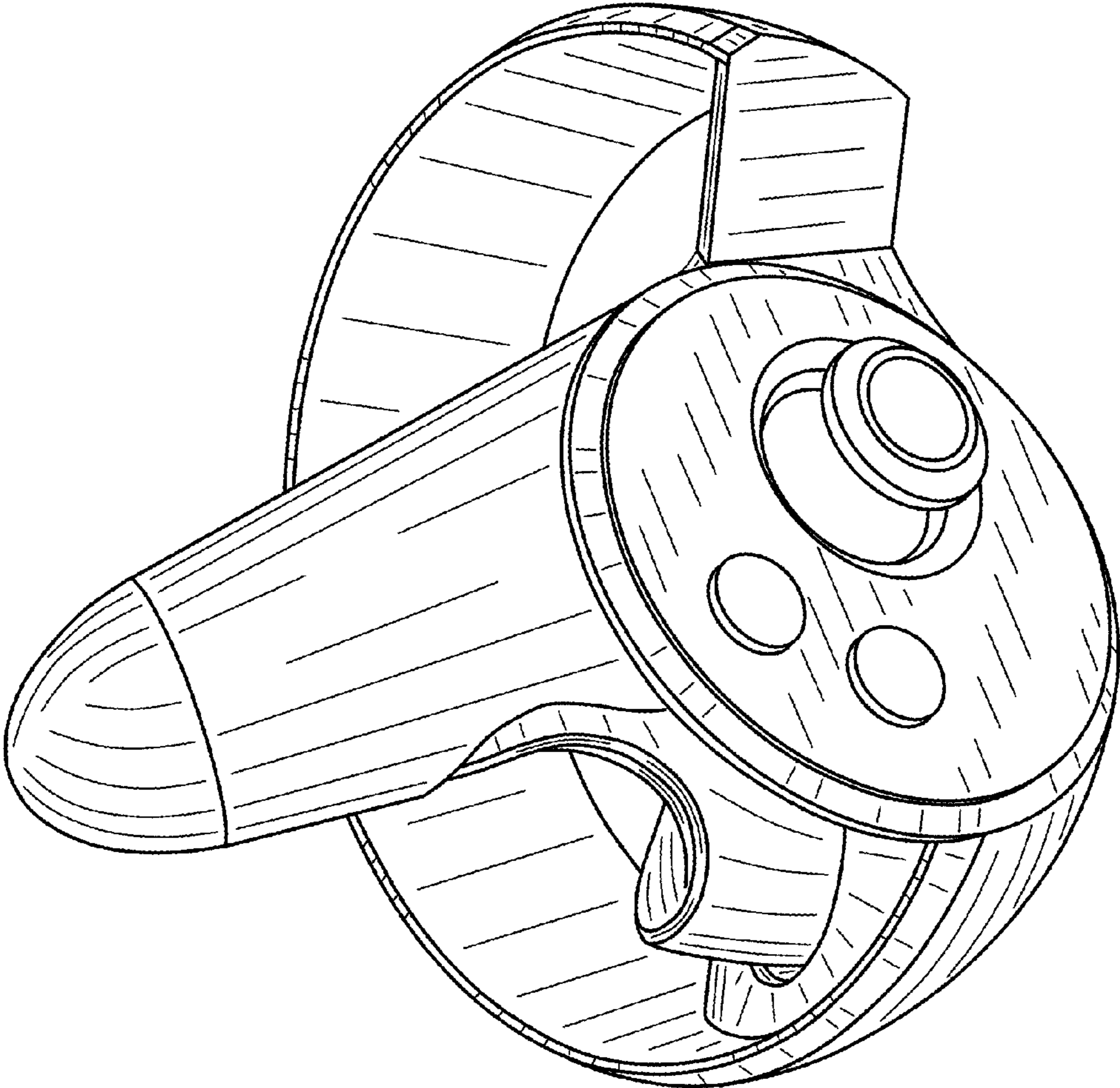


Figure 1

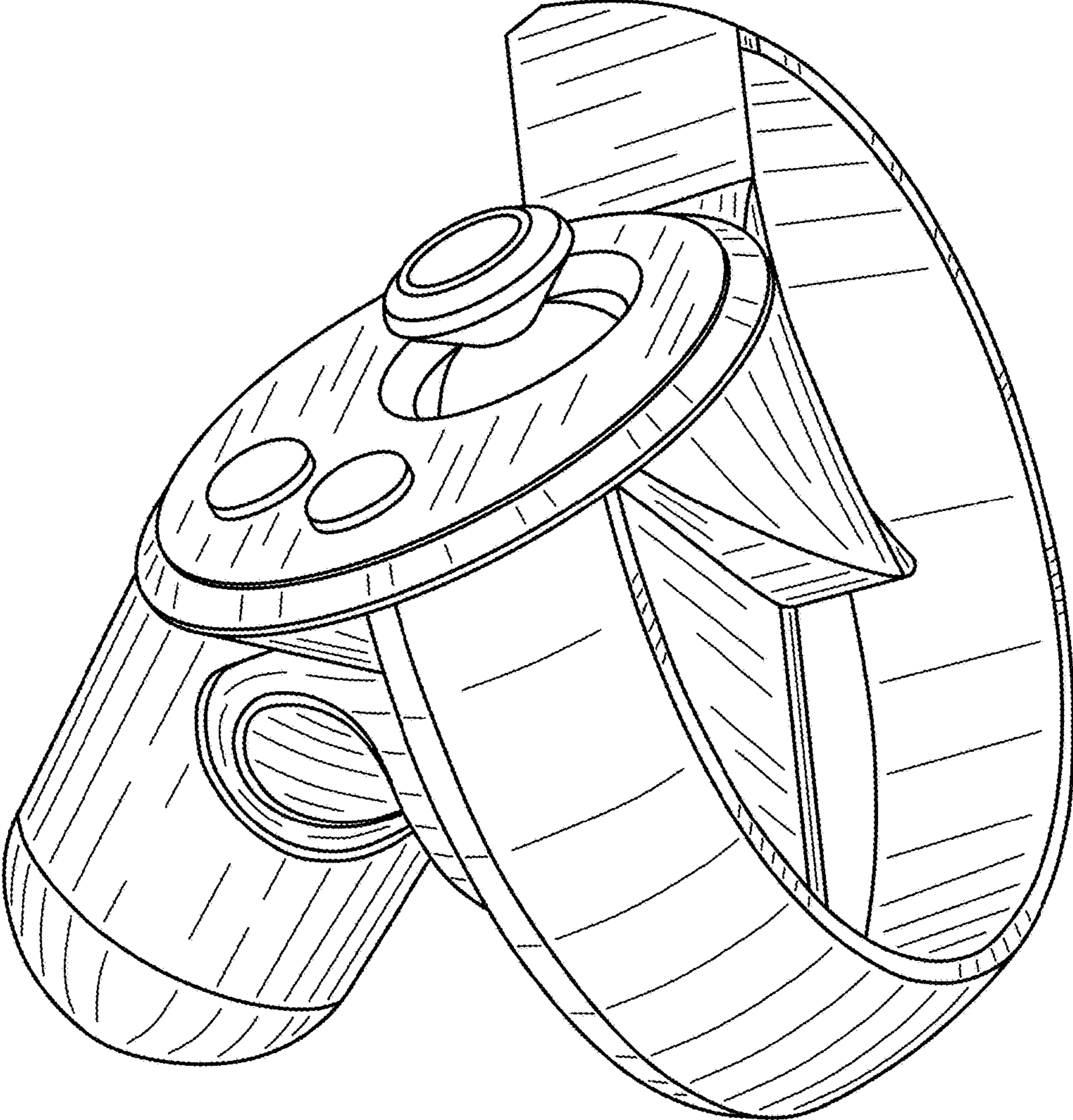


Figure 2

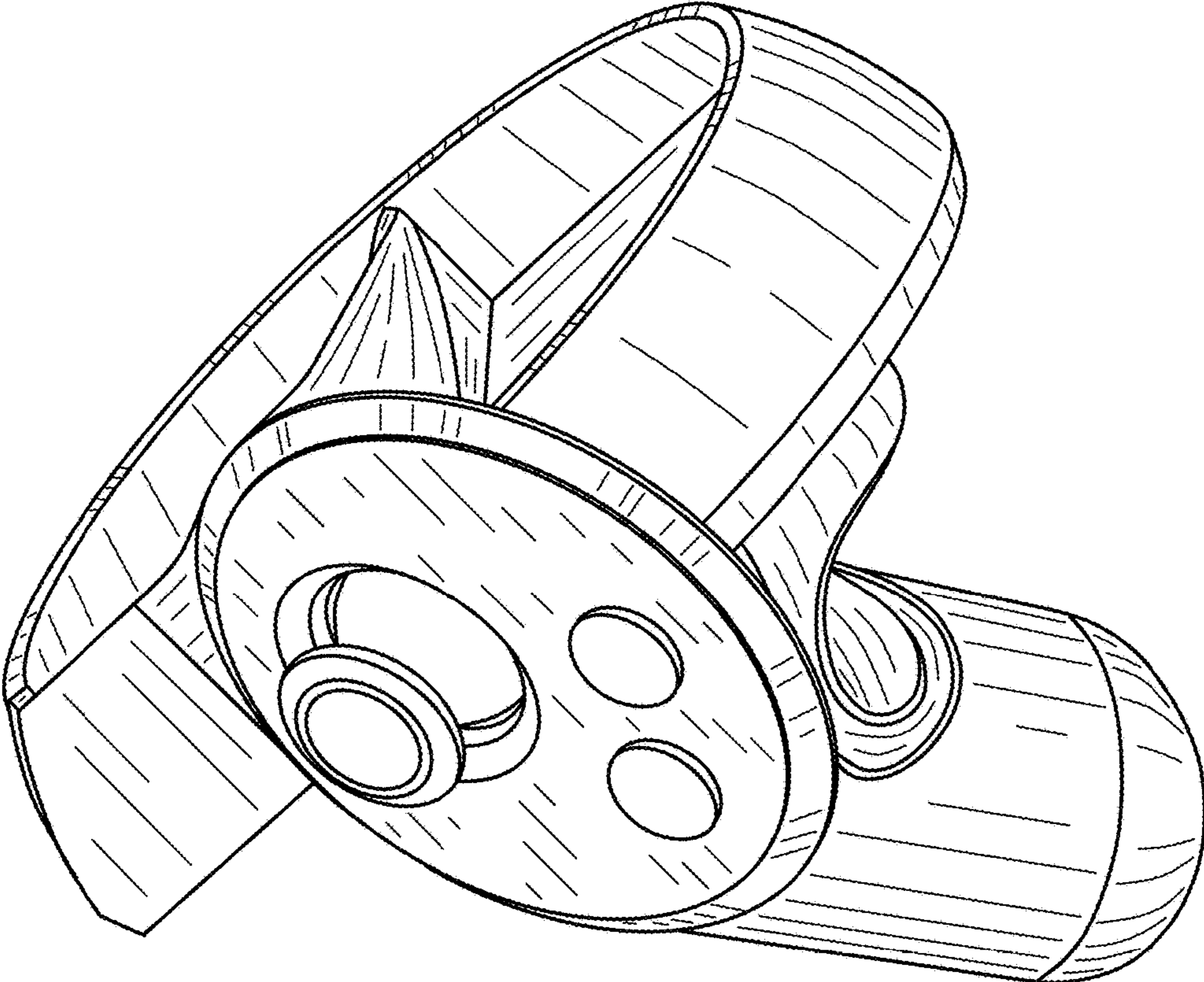


Figure 3

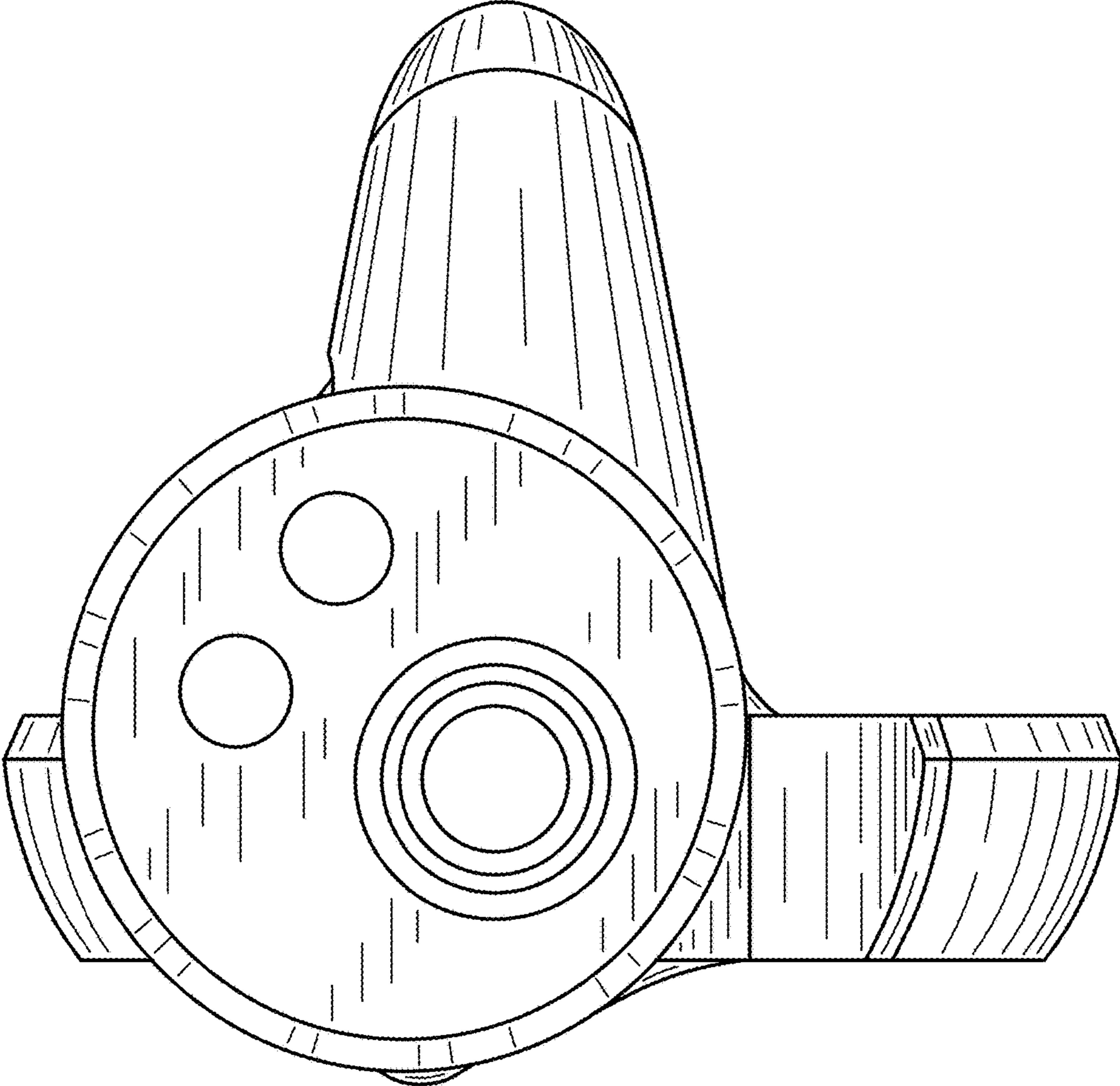


Figure 4

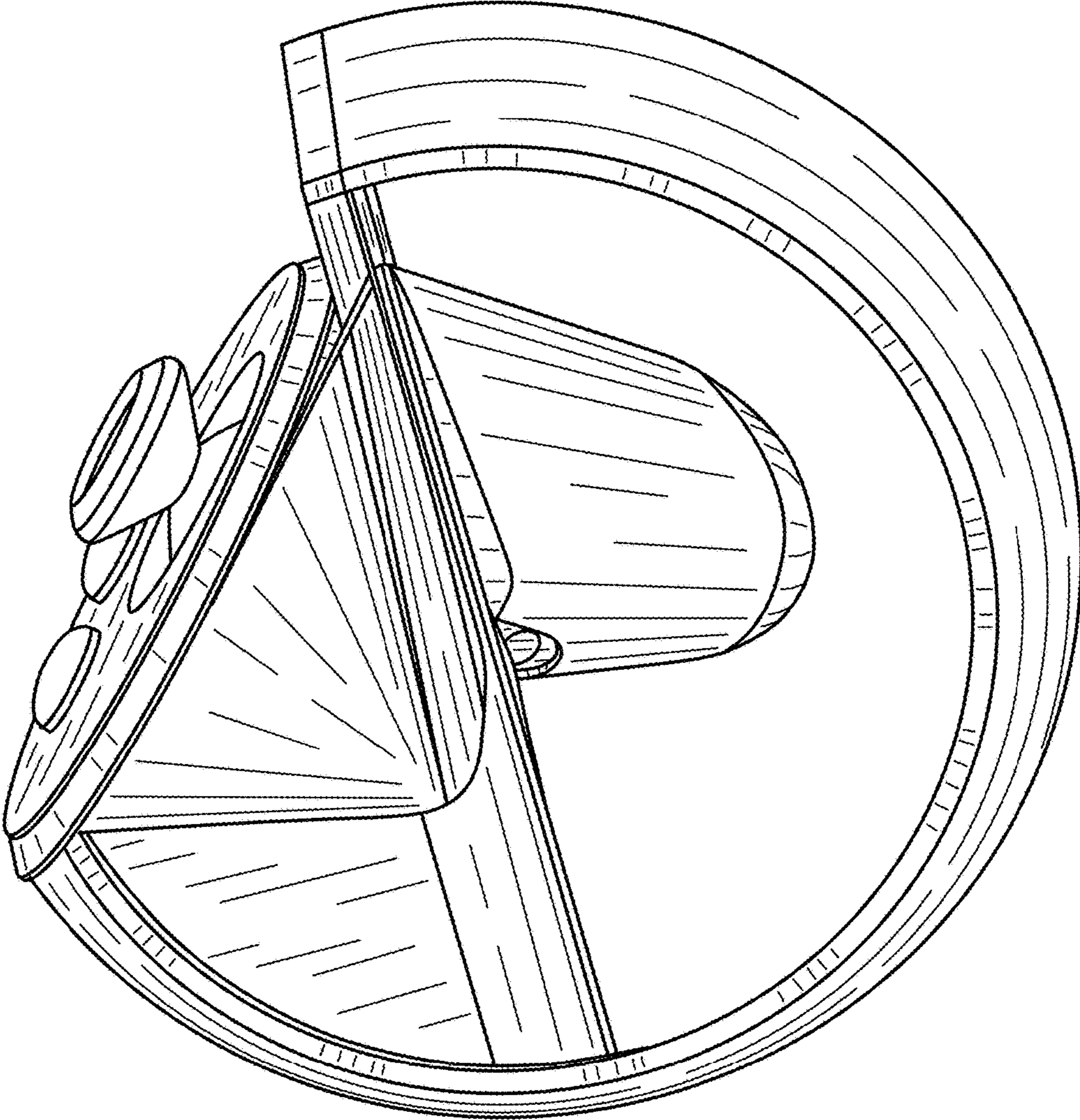


Figure 5

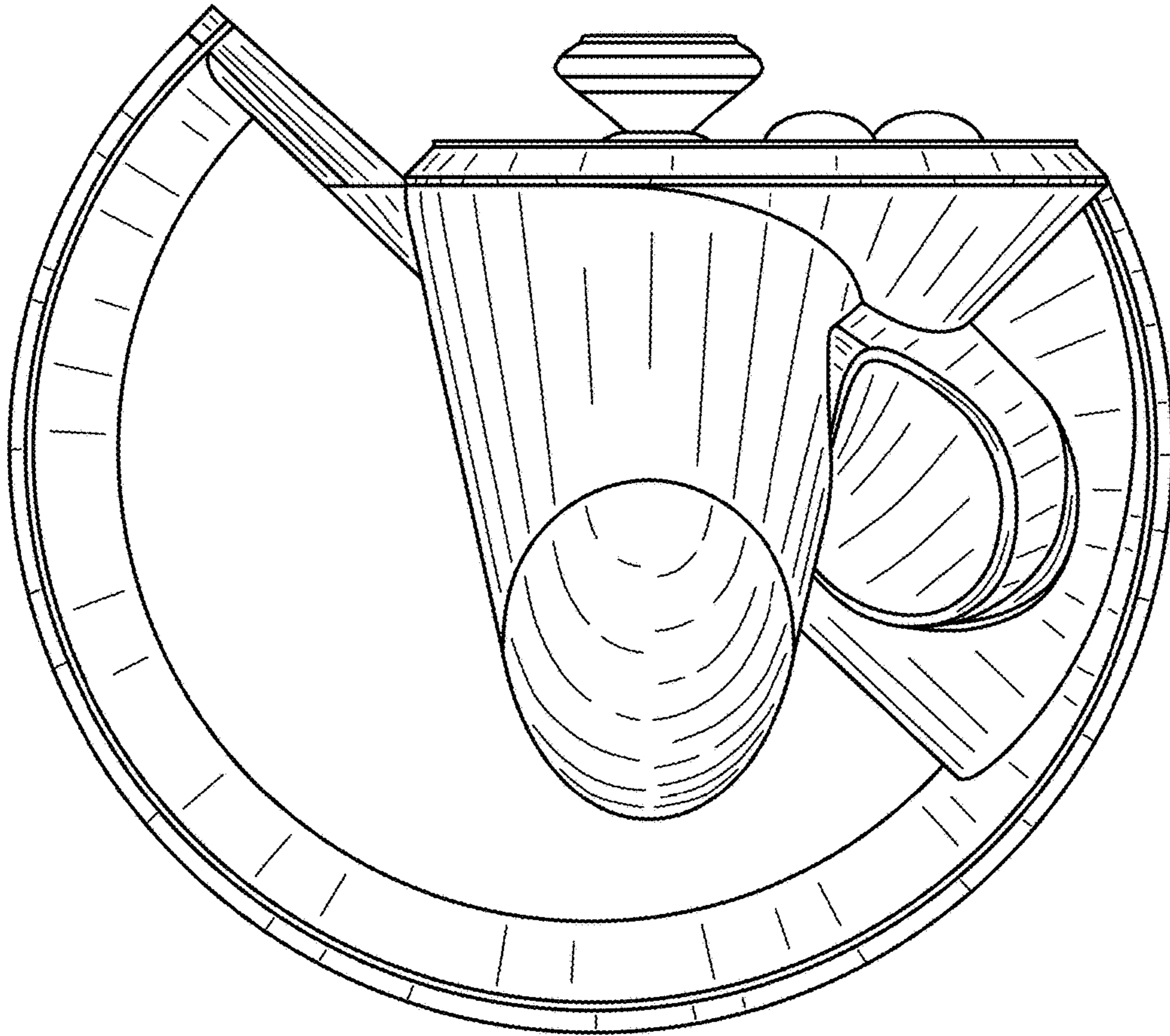


Figure 6

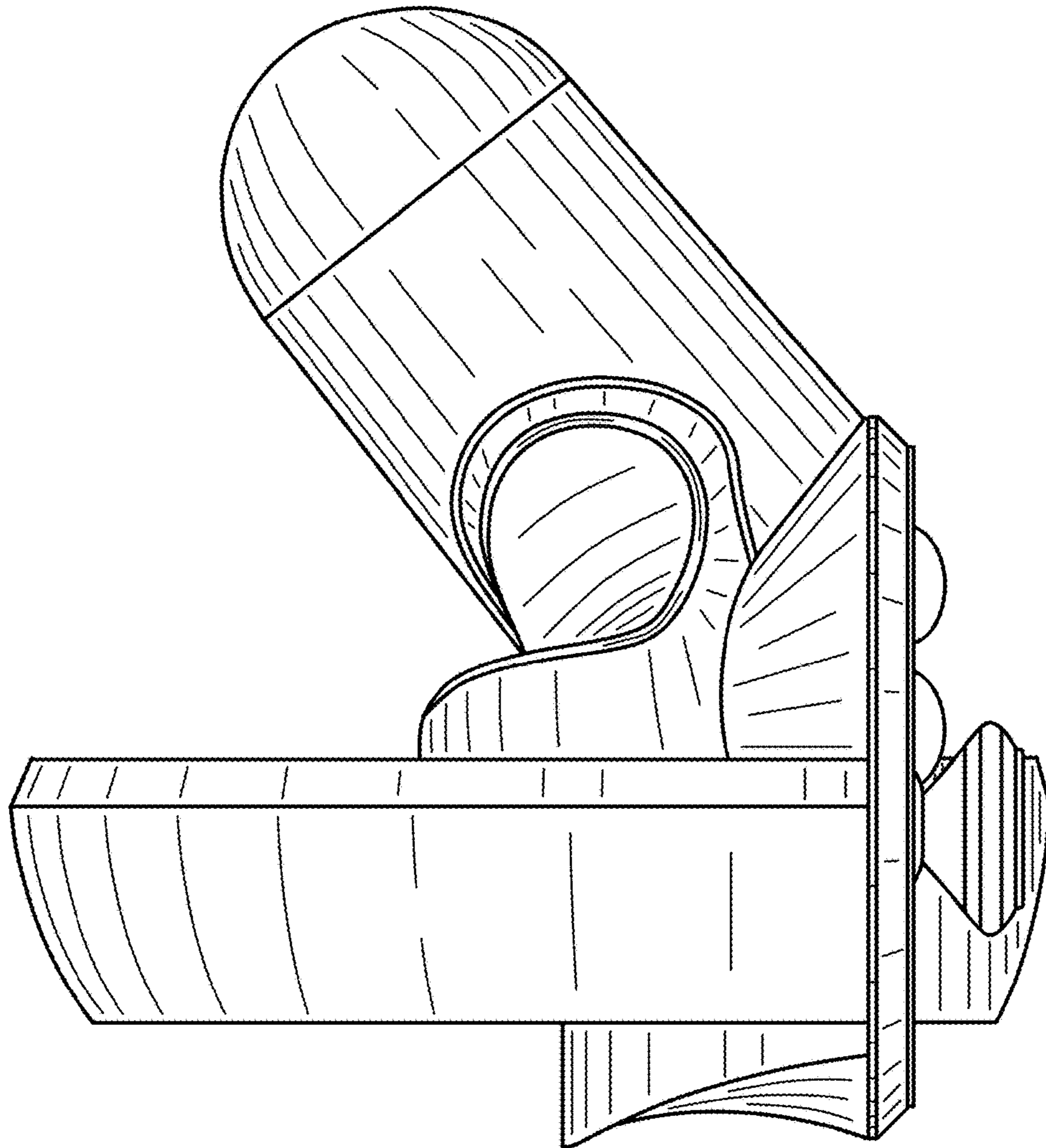


Figure 7

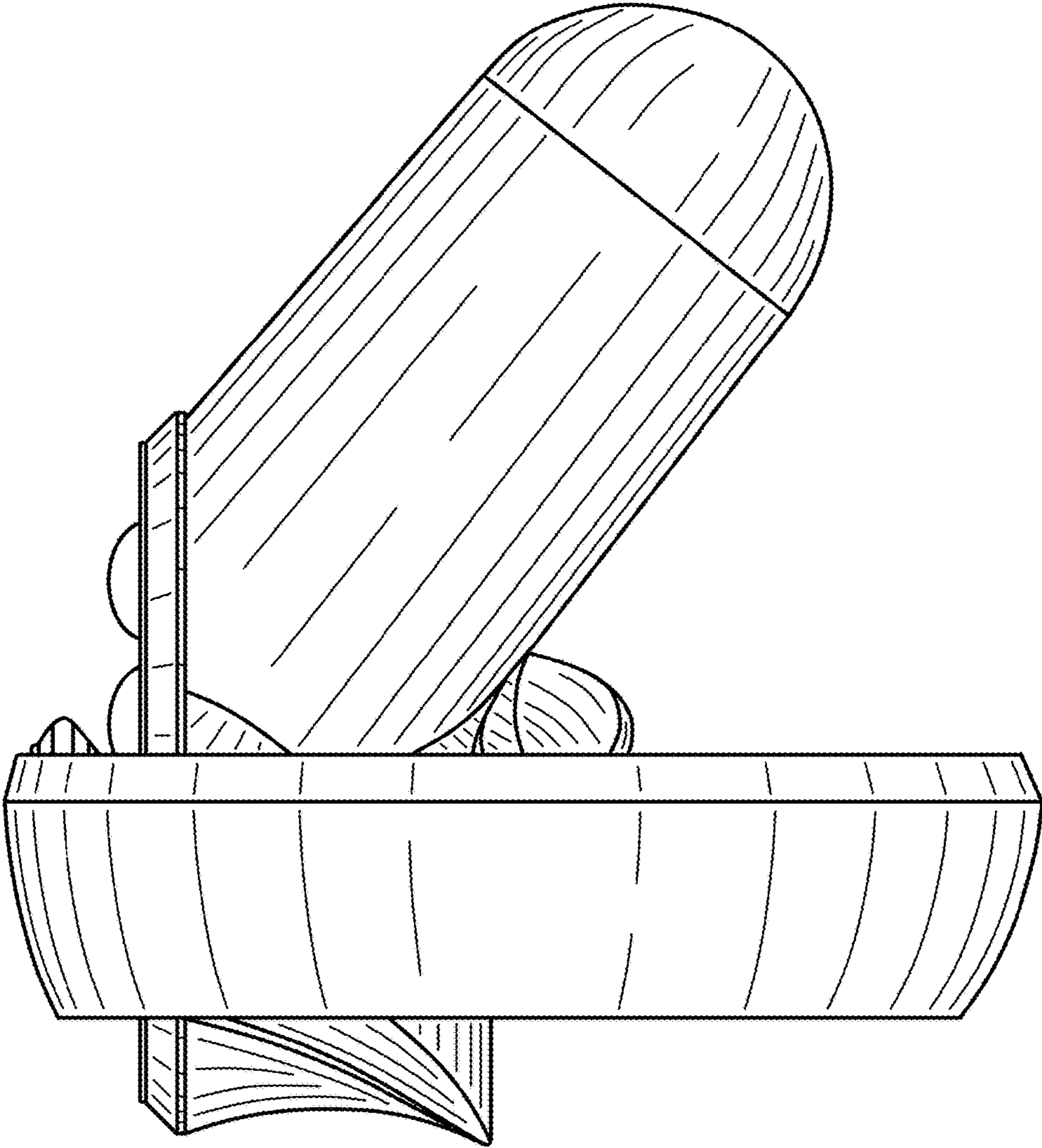


Figure 8

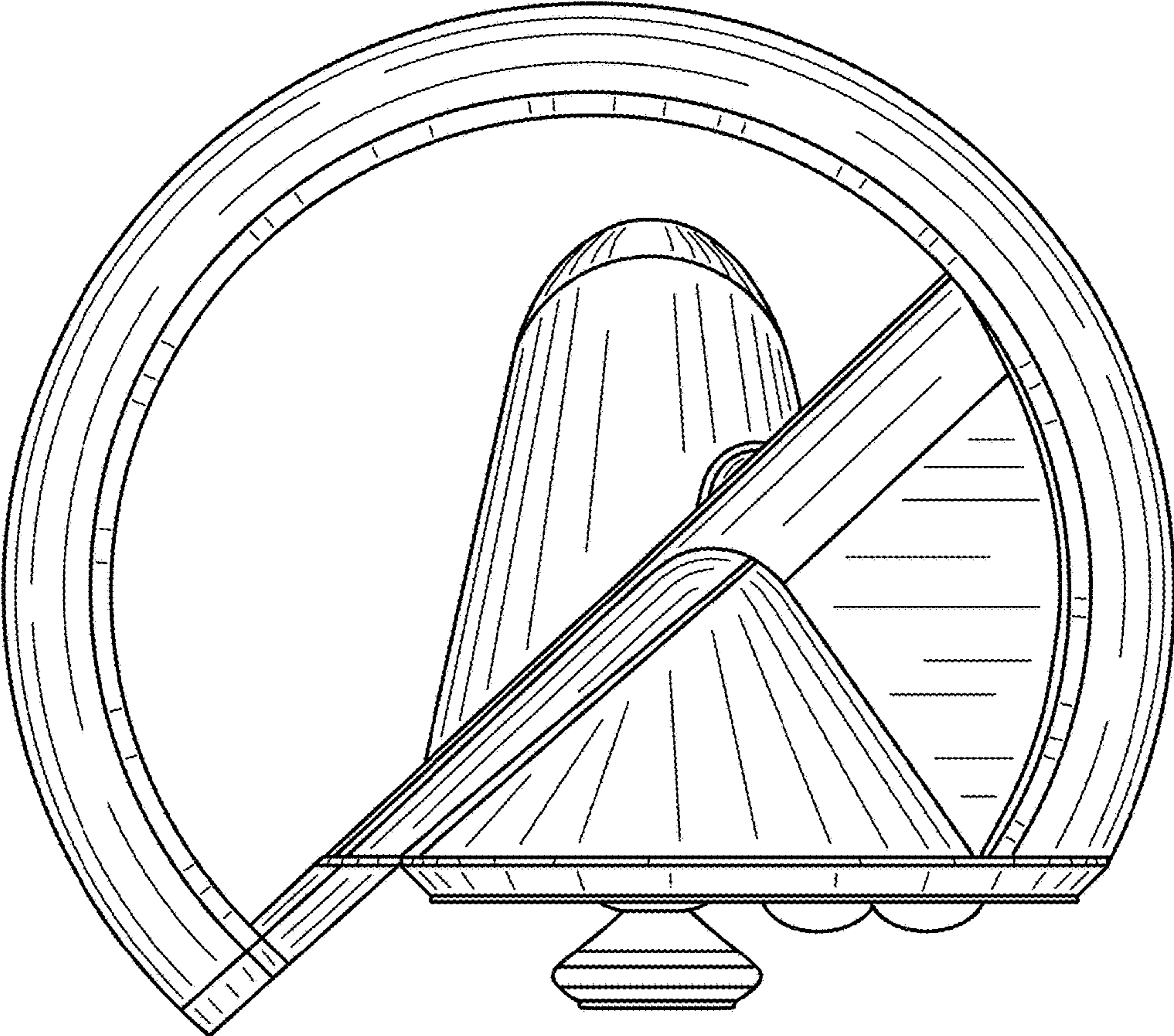


Figure 9

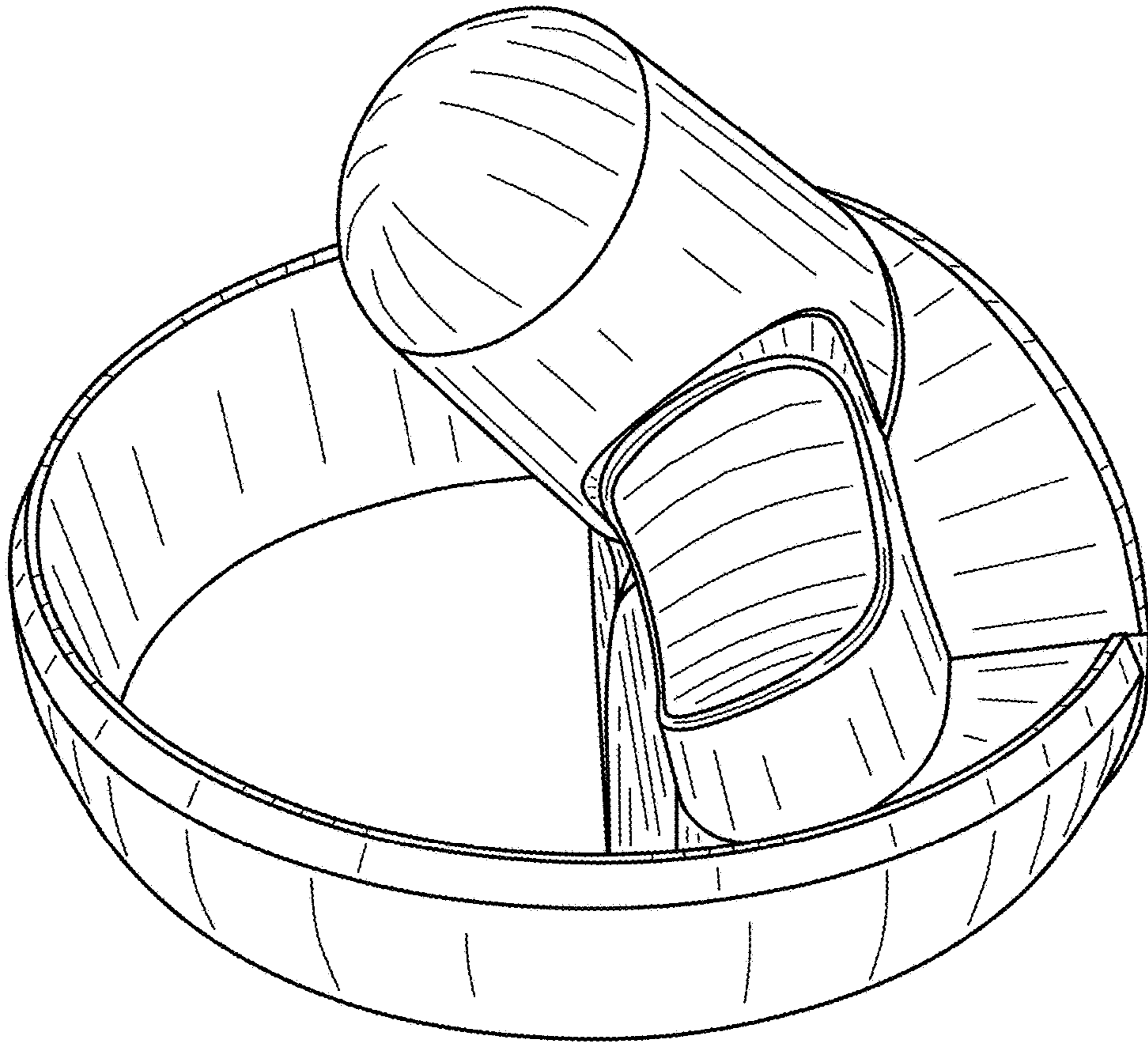


Figure 10

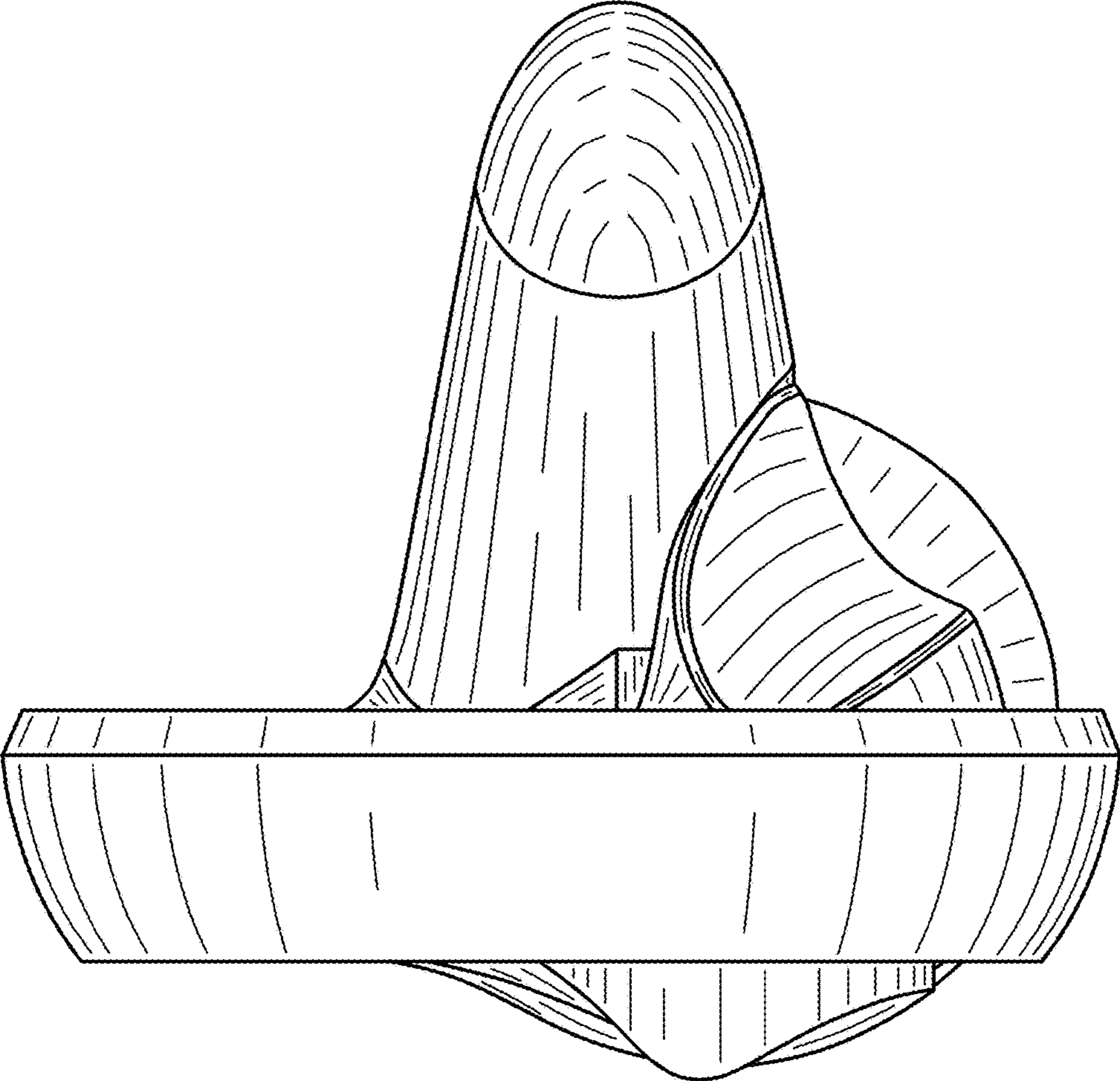


Figure 11