



US00D815208S

(12) **United States Design Patent**  
**Selph**

(10) **Patent No.:** **US D815,208 S**  
(45) **Date of Patent:** **\*\* Apr. 10, 2018**

- (54) **CONFIGURABLE TOSS GAME**
- (71) Applicant: **Sean Selph**, Vero Beach, FL (US)
- (72) Inventor: **Sean Selph**, Vero Beach, FL (US)
- (\*\*) Term: **15 Years**
- (21) Appl. No.: **29/575,104**
- (22) Filed: **Aug. 22, 2016**
- (51) **LOC (11) Cl.** ..... **21-01**
- (52) **U.S. Cl.**  
USPC ..... **D21/303**
- (58) **Field of Classification Search**  
USPC ..... D21/330, 302, 303, 305; 273/317, 348,  
273/389, 398, 400-402, 407  
CPC ..... A63B 63/00; A63B 65/06; A63B 65/08;  
A63B 65/10; A63B 67/02  
See application file for complete search history.

- (56) **References Cited**  
U.S. PATENT DOCUMENTS  
1,834,317 A 12/1930 Peccerillo  
1,979,584 A 11/1932 Thompson  
2,155,929 A 8/1936 Breitenstein et al.  
2,147,502 A \* 2/1939 Savage ..... A63F 9/0204  
273/353  
D234,435 S \* 3/1975 Pineiro, Jr. .... D21/303  
(Continued)

*Primary Examiner* — Prabhakar G Deshmukh  
(74) *Attorney, Agent, or Firm* — Monty Simmons;  
Simmons Patents

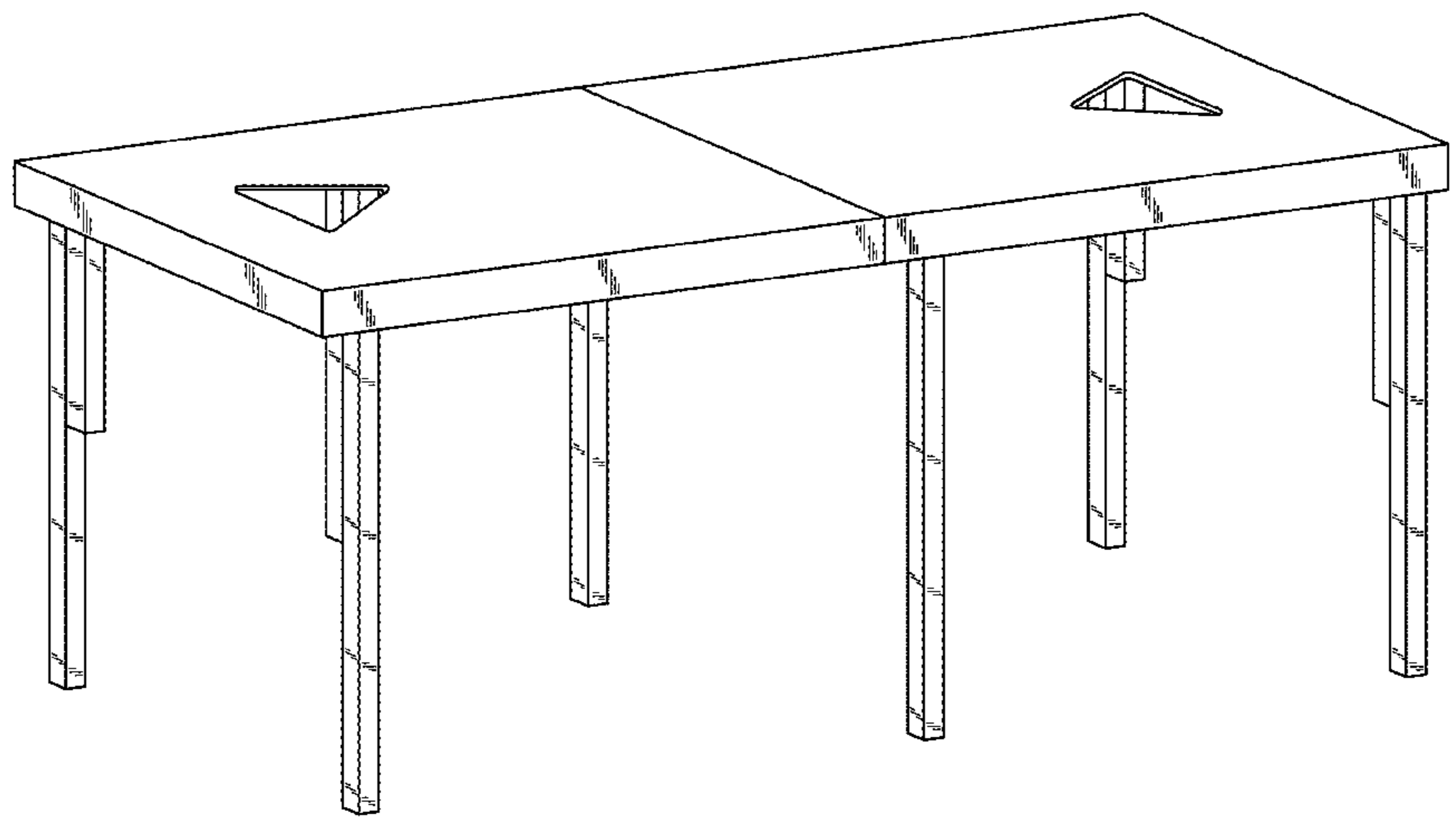
(57) **CLAIM**  
The ornamental design for a configurable toss game, as shown and described.

**DESCRIPTION**

FIG. 1 is a perspective view a configurable toss game showing my new design;

FIG. 2 is a left side elevational view thereof;  
 FIG. 3 is a right side elevational view thereof;  
 FIG. 4 is a front elevational thereof;  
 FIG. 5 is a rear elevational view thereof;  
 FIG. 6 is a top plan view thereof;  
 FIG. 7 is a bottom plan view thereof;  
 FIG. 8 is an perspective view similar to FIG. 1 but separated in two portions with the long legs in extended position;  
 FIG. 9 is a left side elevational view of FIG. 8;  
 FIG. 10 is a right, side elevational view relative to FIG. 8;  
 FIG. 11 is a top plan view FIG. 8;  
 FIG. 12 is a bottom plan view of FIG. 8 with the two table portions separated;  
 FIG. 13 is a bottom plan view of FIG. 8 with long legs folded;  
 FIG. 14 is a bottom plan view similar to Fig. separated in two portions;  
 FIG. 15 is a perspective view similar to FIG. 1, shown with optional legs;  
 FIG. 16 is a perspective view similar to FIG. 1, shown with the short legs in an extended position and long legs folded in;  
 FIG. 17 is an elevated perspective view similar to FIG. 1 shown with a triangular portion removed from its triangular base;  
 FIG. 18 is a perspective view of FIG. 17 with the triangular portion associated with the triangular base;  
 FIG. 19 is a perspective similar to FIG. 17 with a circular void in one of the triangular portions;  
 FIG. 20 is a perspective view similar to FIG. 17 with multiple circular voids in one of the triangular portions;  
 FIG. 21 is a perspective view thereof with both tables folded in together for easy transportation; and,  
 FIG. 22 is a perspective view of FIG. 16, shown in an alternate position and separated in two portions.  
 The broken lines illustrate unclaimed portions and form no part of the claimed design. The optional legs in FIG. 15 illustrate environment and forms no part of the claimed design.

**1 Claim, 21 Drawing Sheets**



(56)

**References Cited**

U.S. PATENT DOCUMENTS

D270,920 S \* 10/1983 Branom ..... D21/303  
4,938,485 A 7/1990 Hockridge et al.  
4,943,065 A \* 7/1990 DeLapa ..... A63B 67/06  
273/402  
D317,182 S \* 5/1991 Gates ..... D21/303  
D333,492 S \* 2/1993 Paredes ..... D21/303  
D420,397 S \* 2/2000 Castro ..... D21/303  
6,179,295 B1 \* 1/2001 Lanza ..... A63F 9/02  
273/123 R  
D609,278 S \* 2/2010 Schafer ..... D21/303  
D692,500 S \* 10/2013 Max ..... D21/303  
D716,875 S \* 11/2014 Brossart ..... D21/302  
2100/0058958 3/2010 Christian et al.  
2013/0062831 A1 \* 3/2013 Norrell ..... A63F 7/34  
273/407

\* cited by examiner

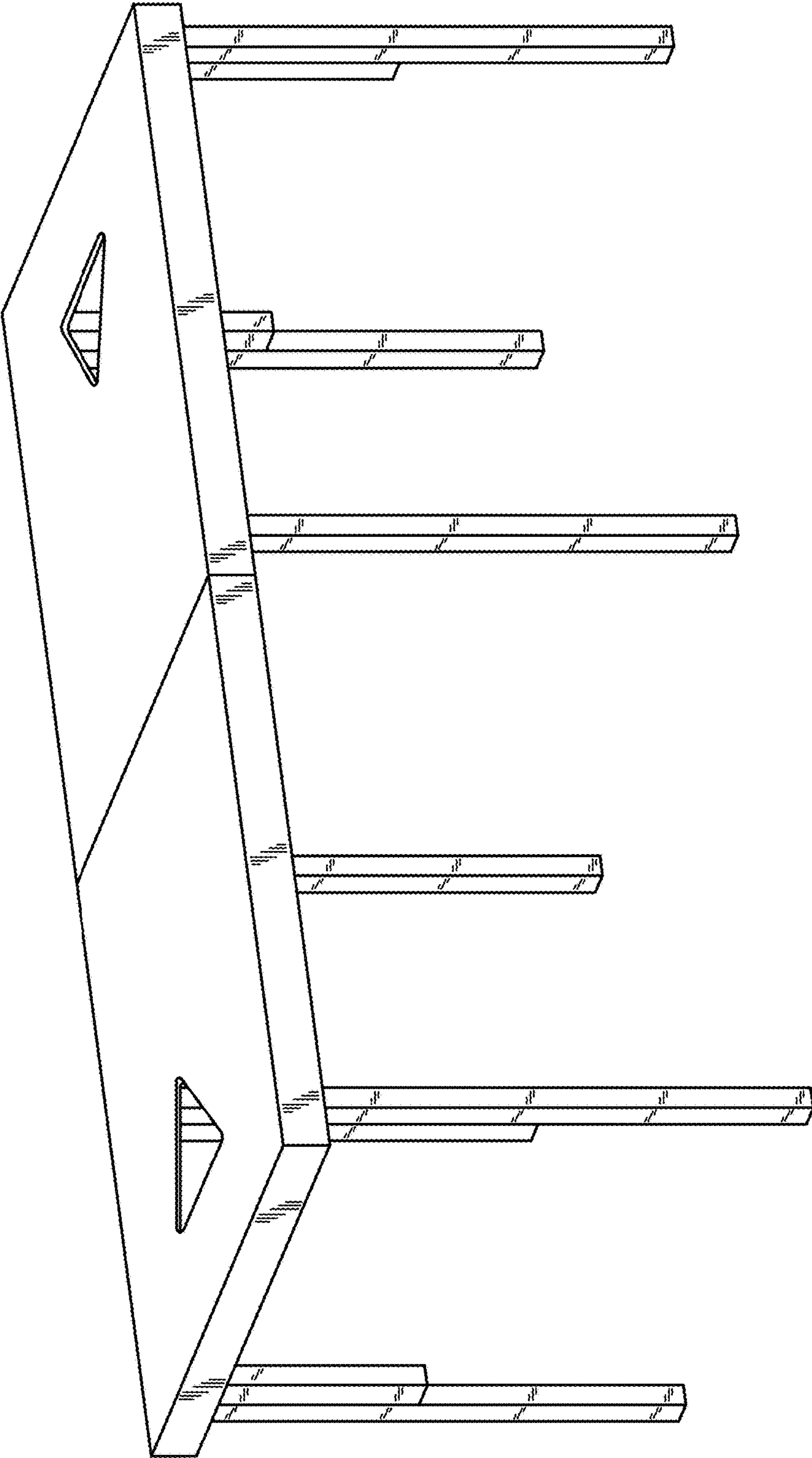


FIG. 1

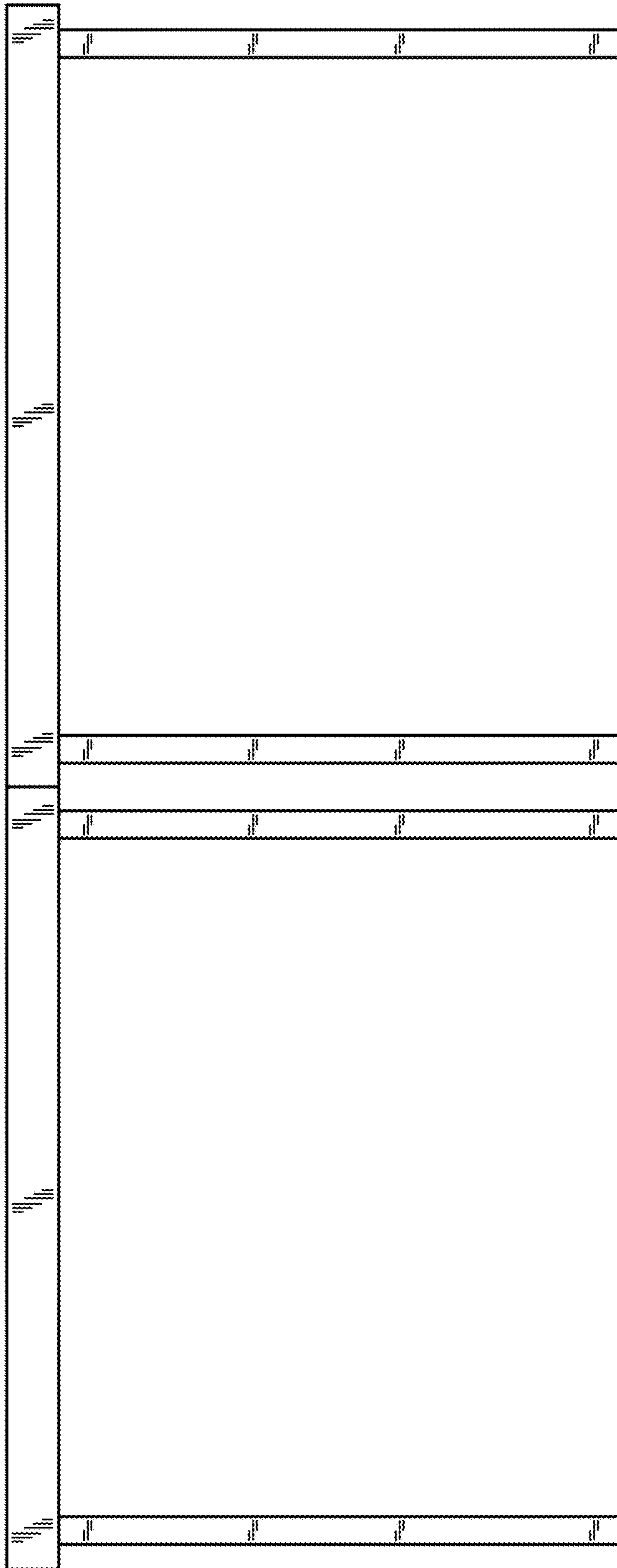


FIG. 2

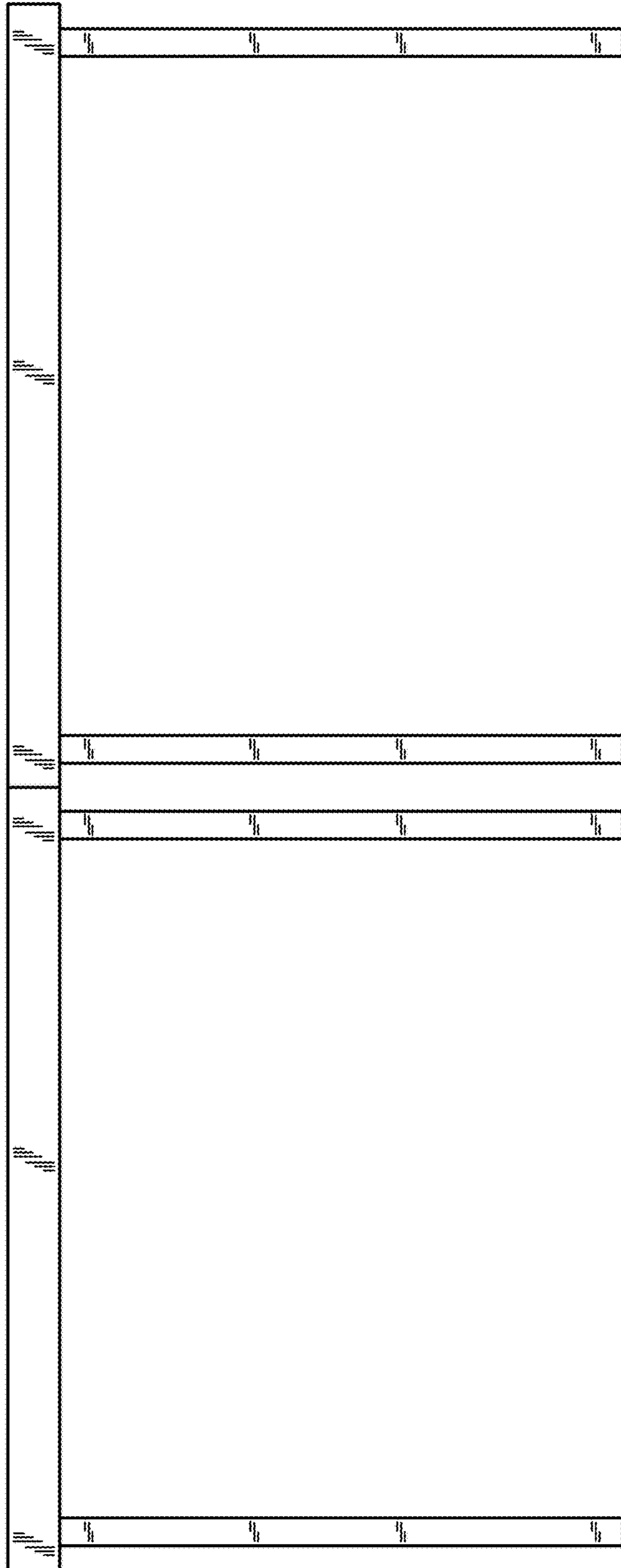


FIG. 3

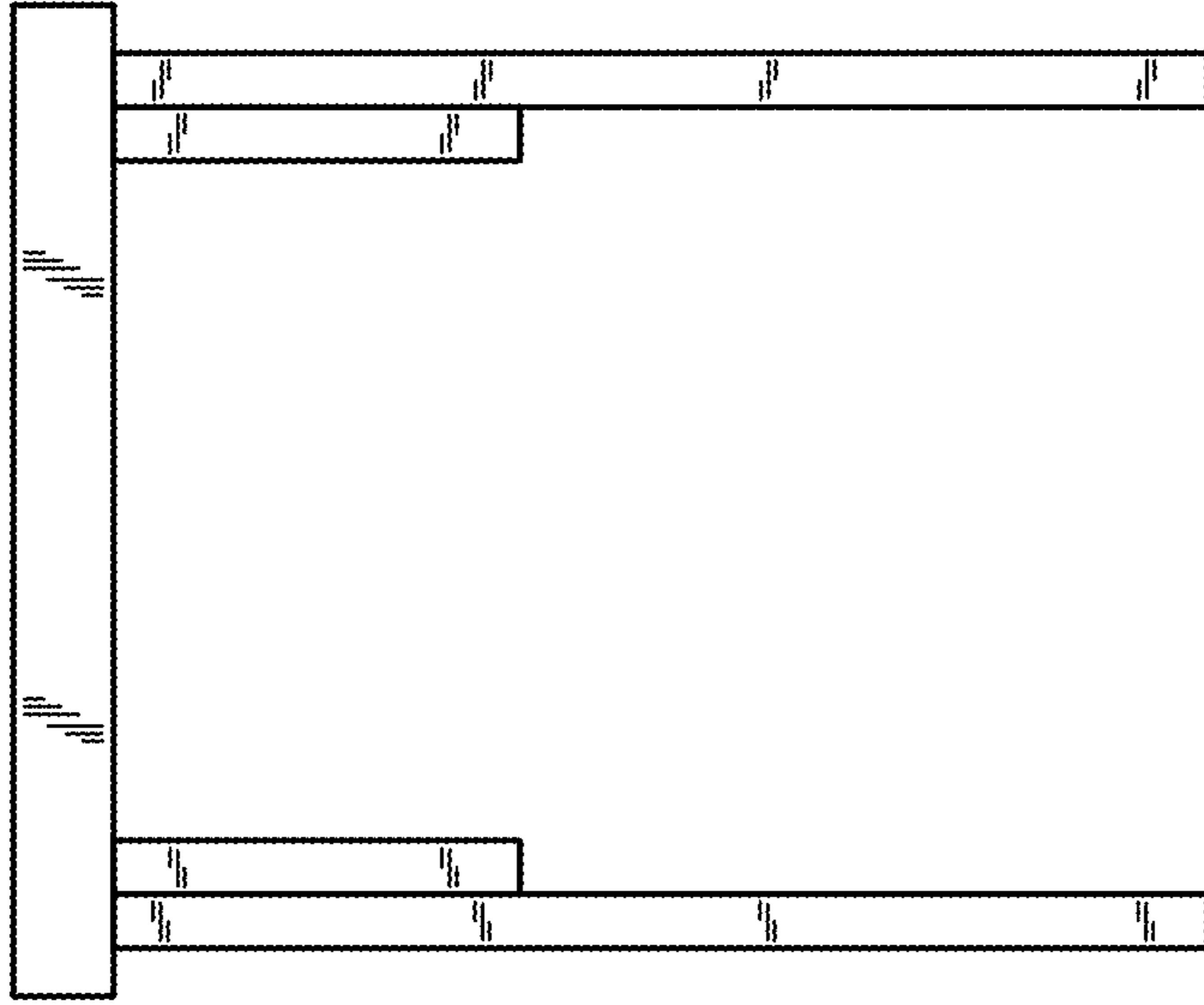


FIG. 4

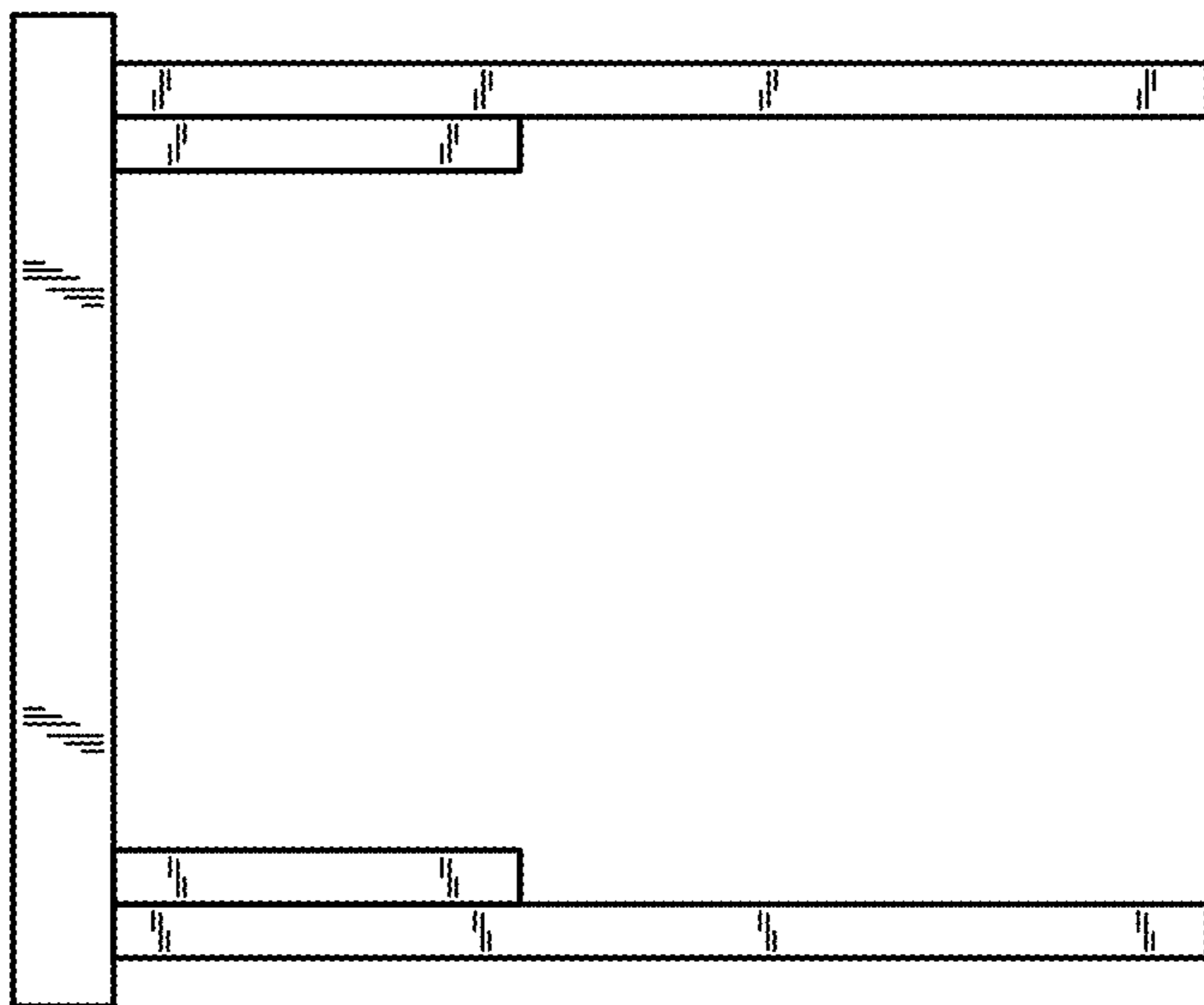


FIG. 5

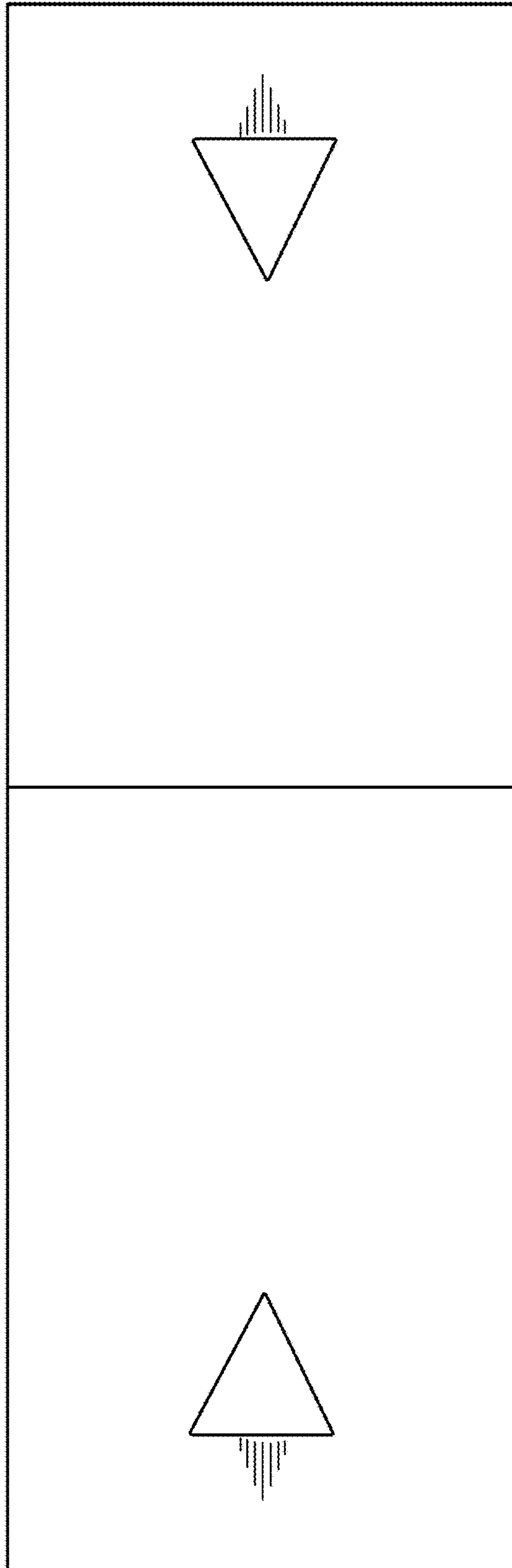


FIG. 6

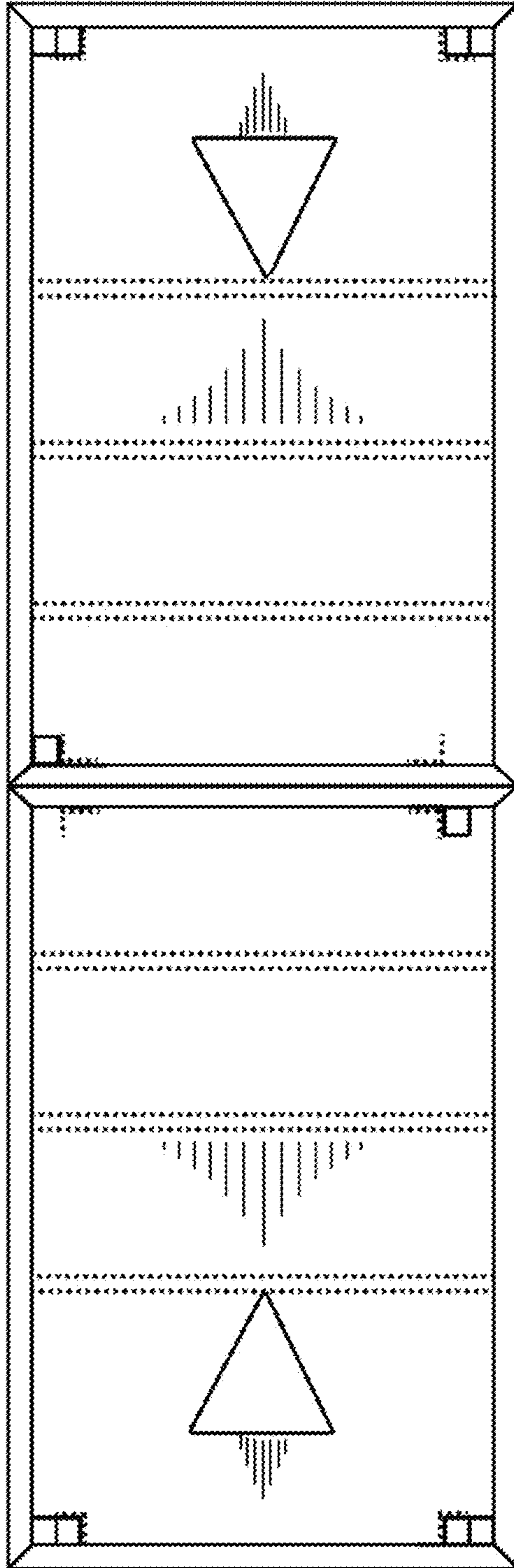


FIG. 7



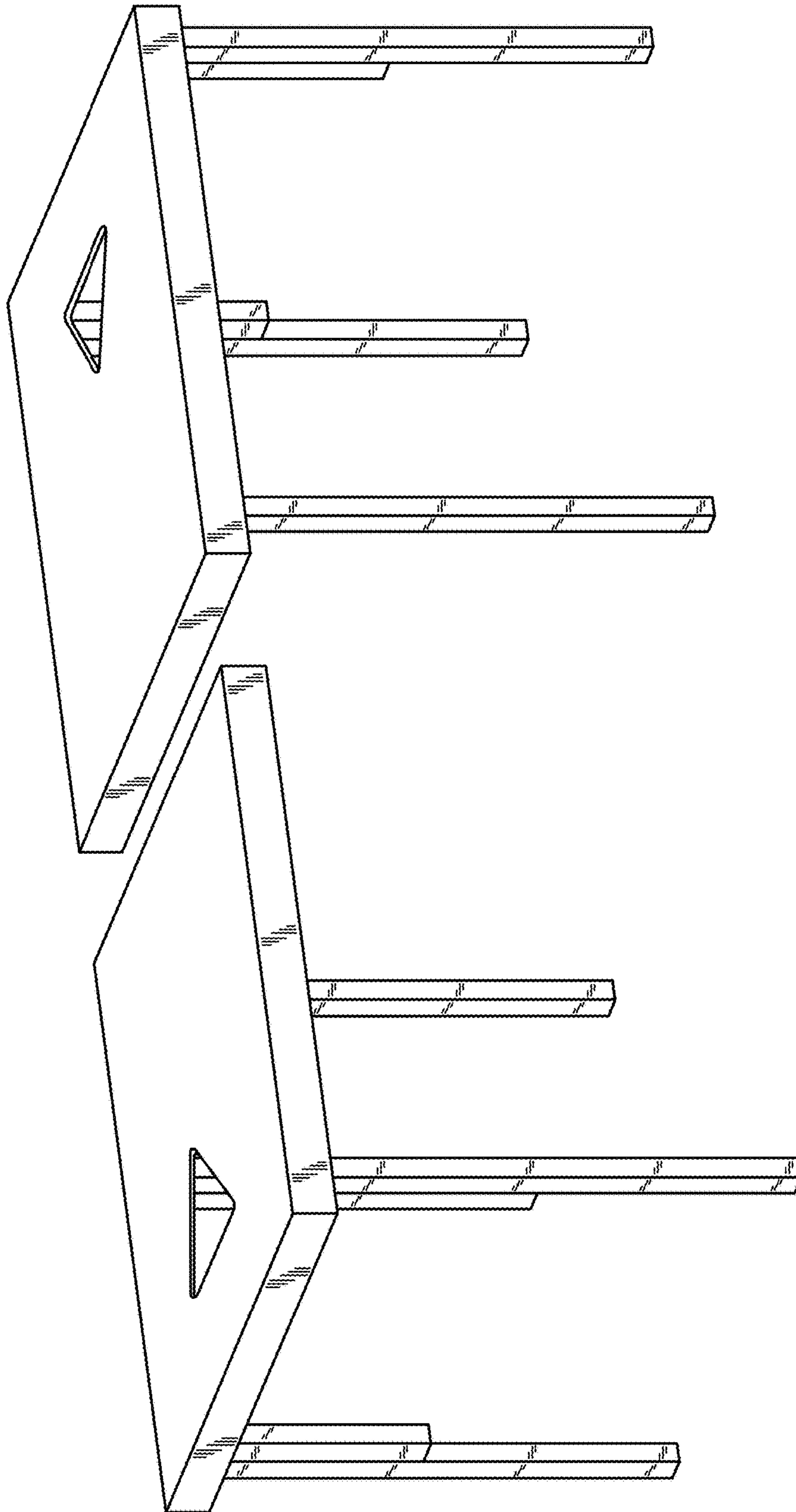


FIG. 8

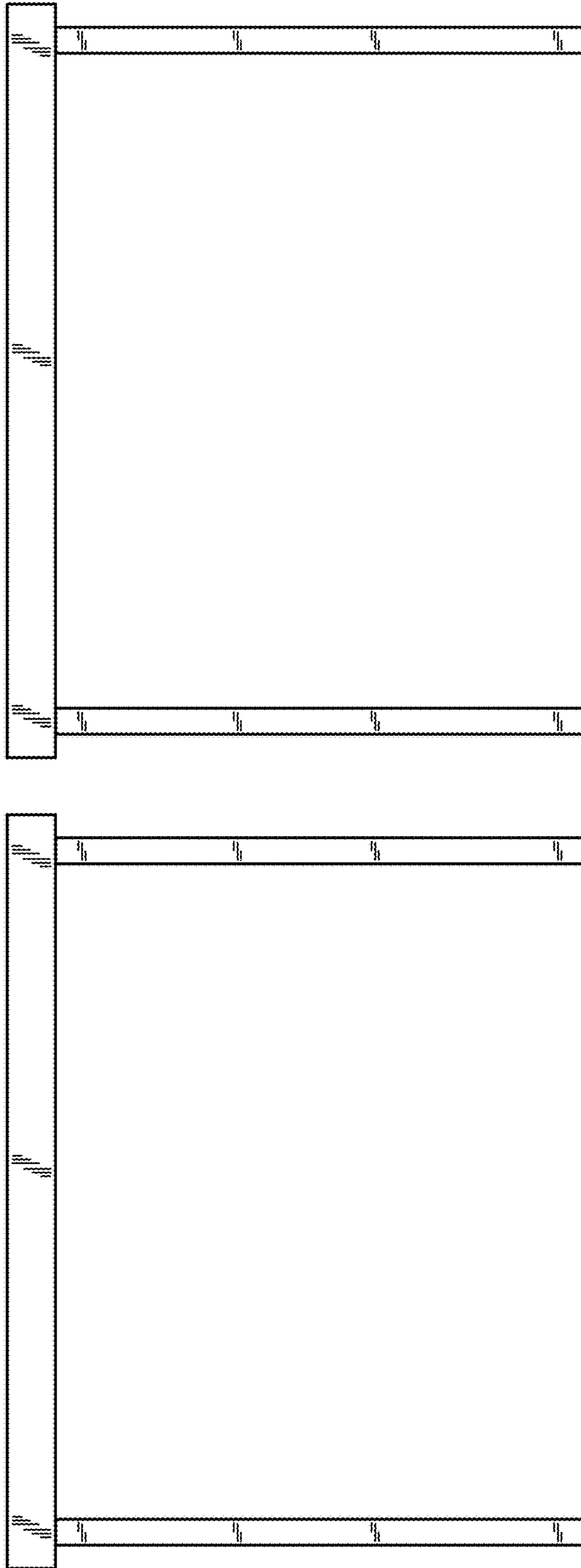


FIG. 9

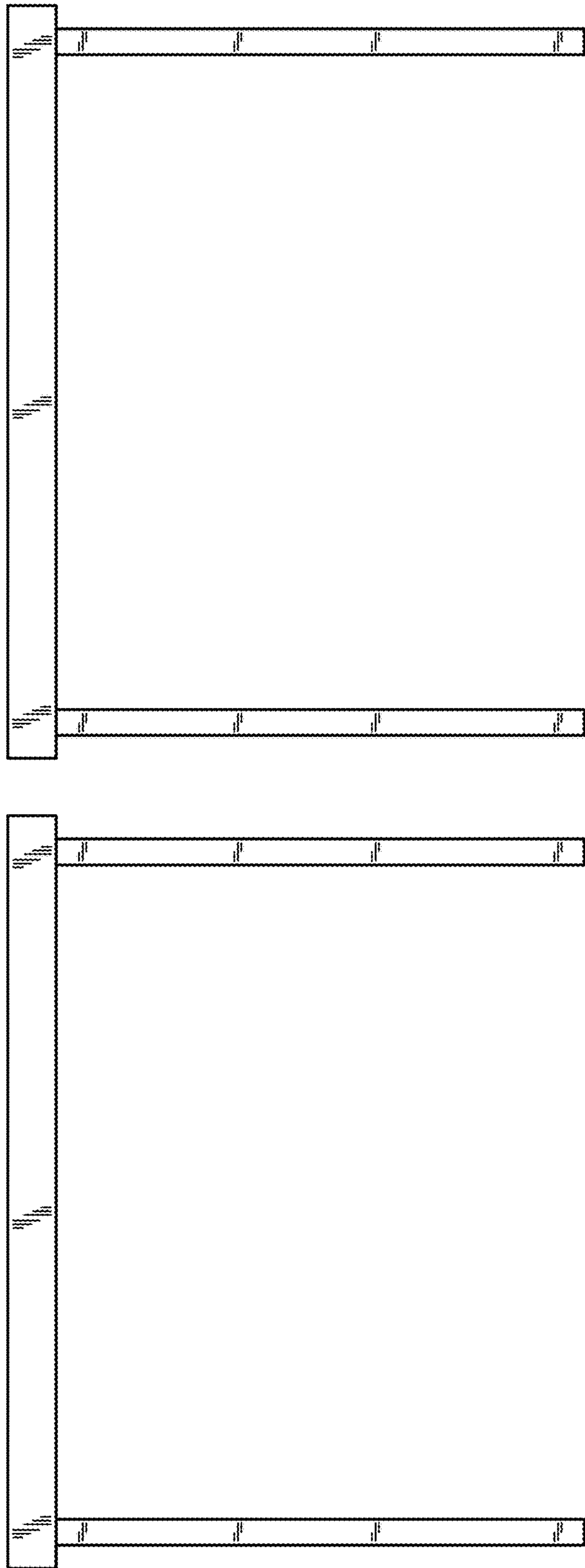


FIG. 10

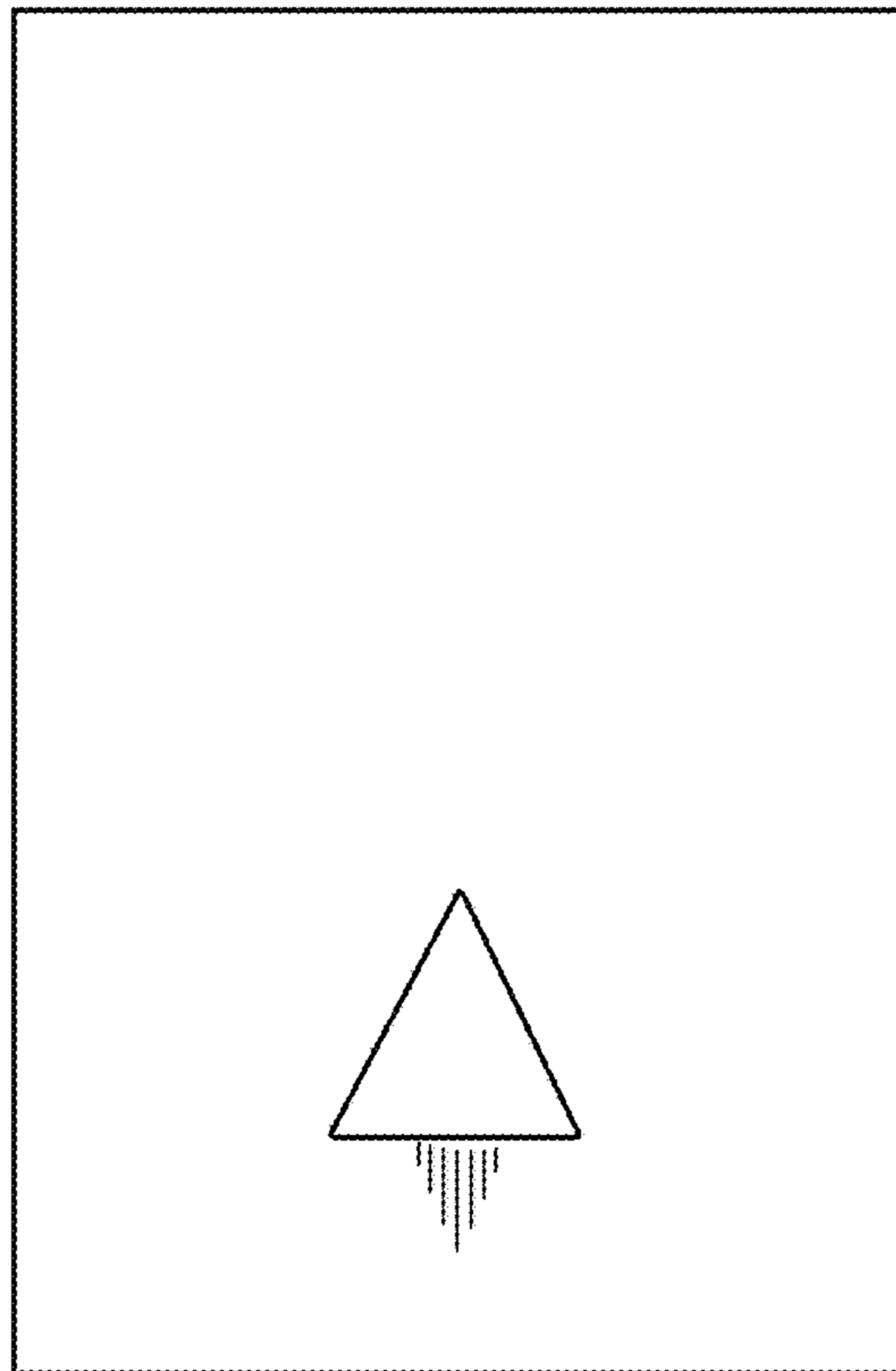
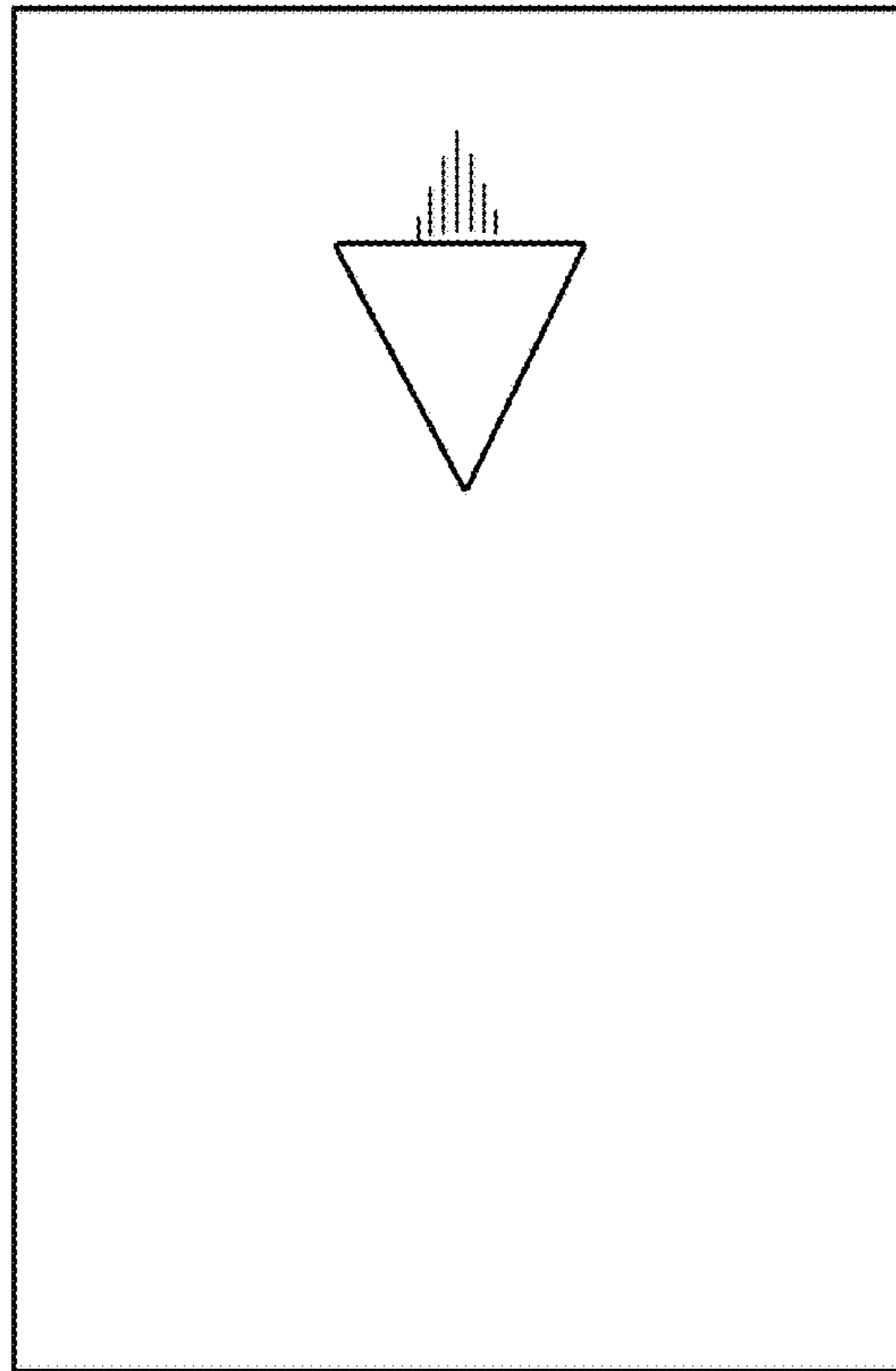


FIG. 11

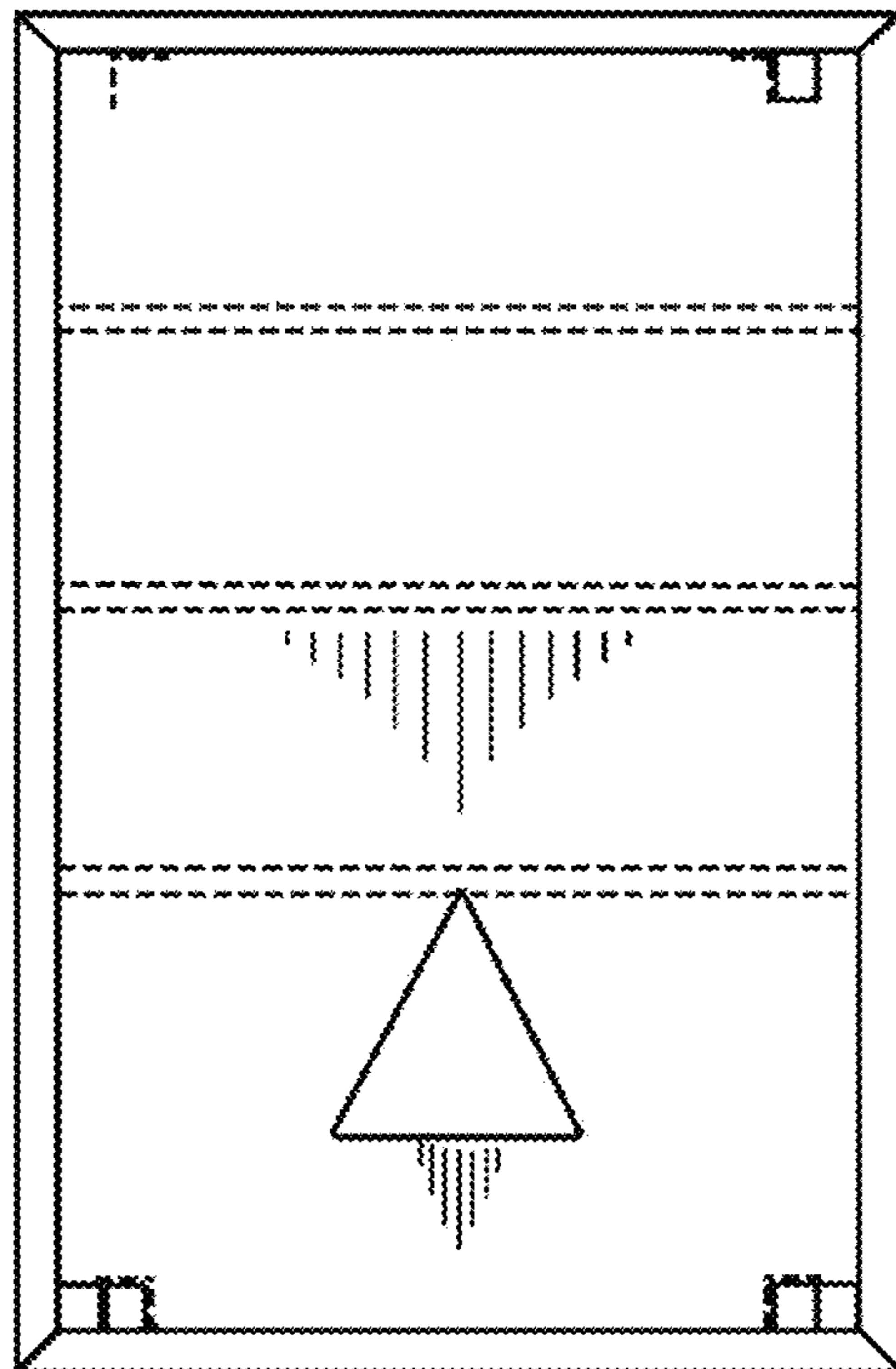
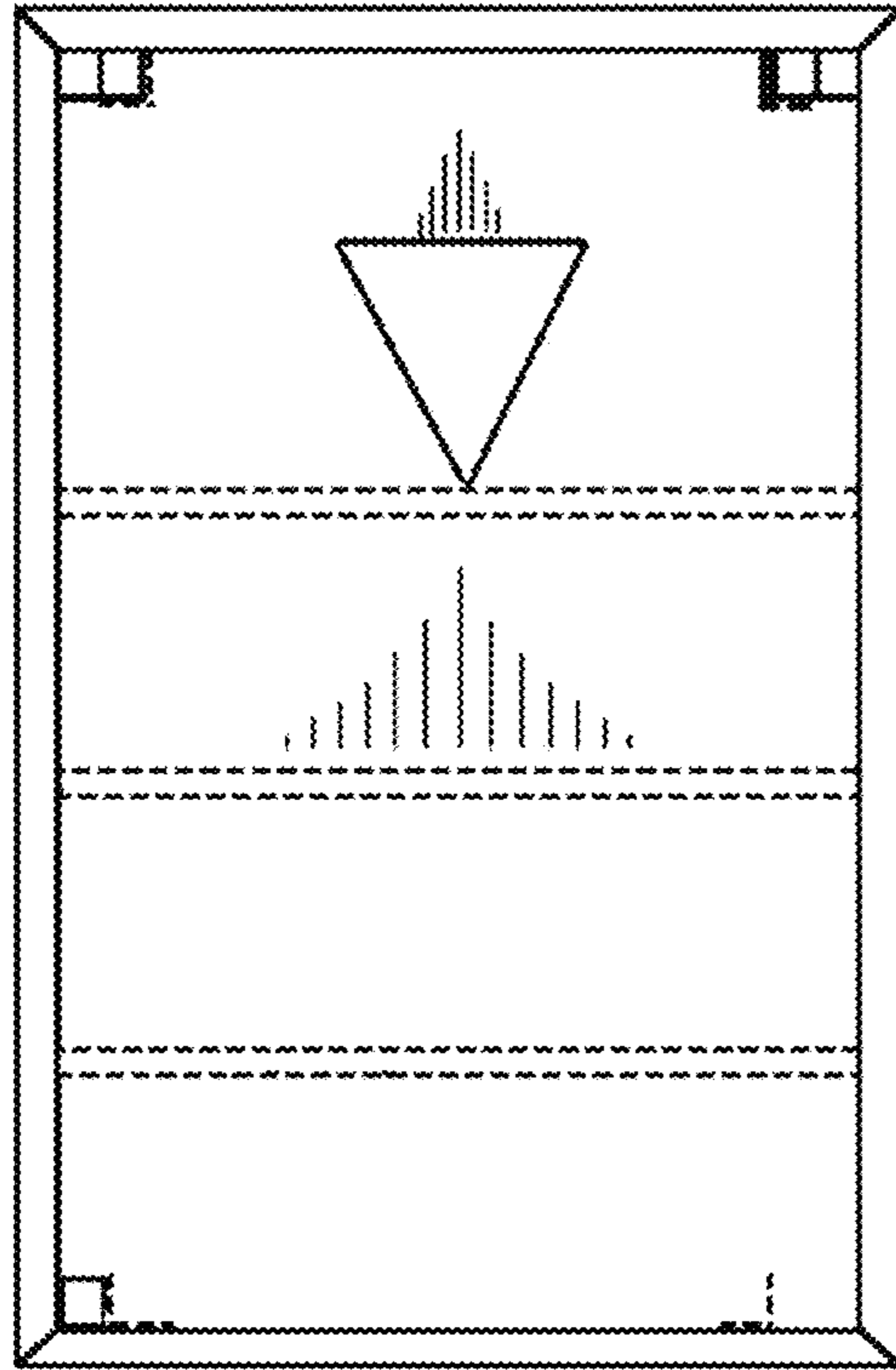


FIG. 12

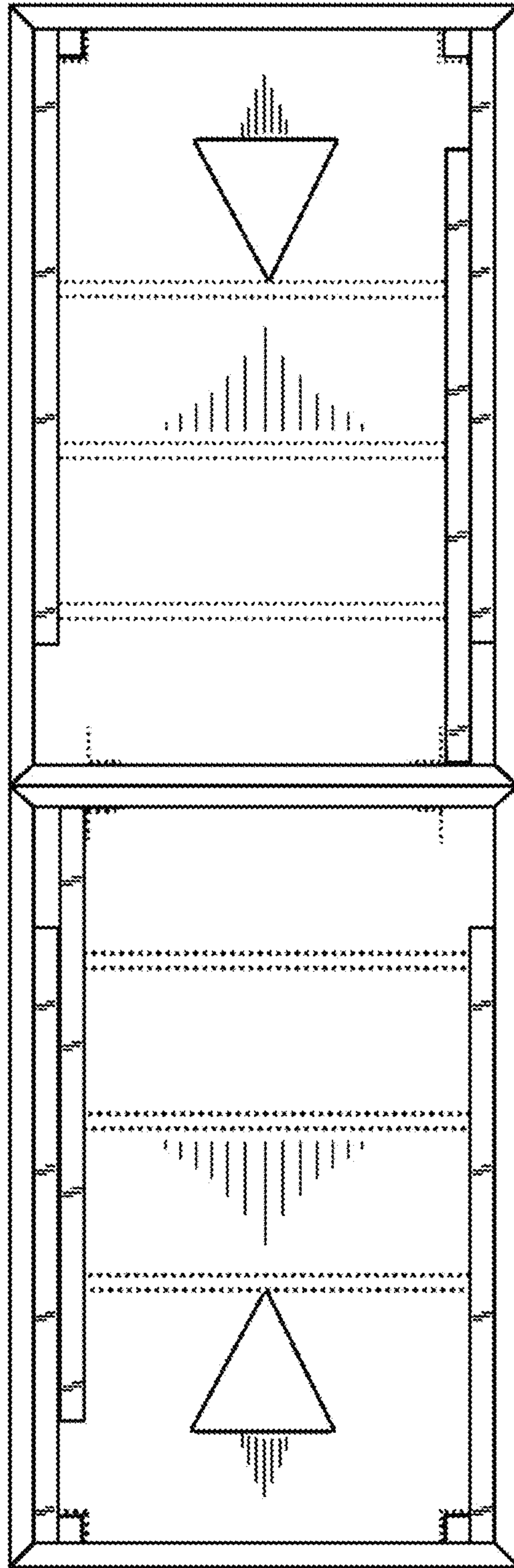


FIG. 13

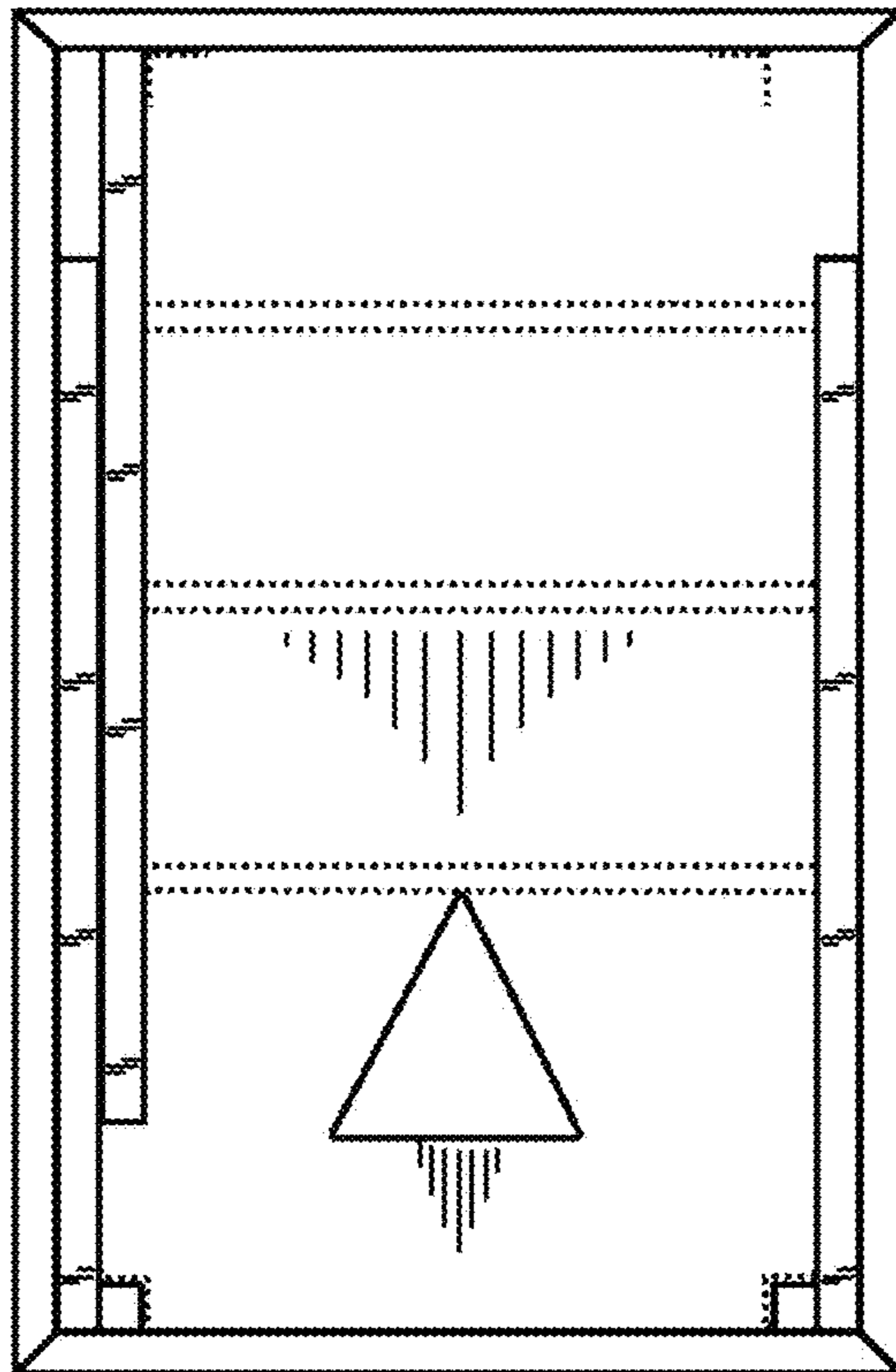
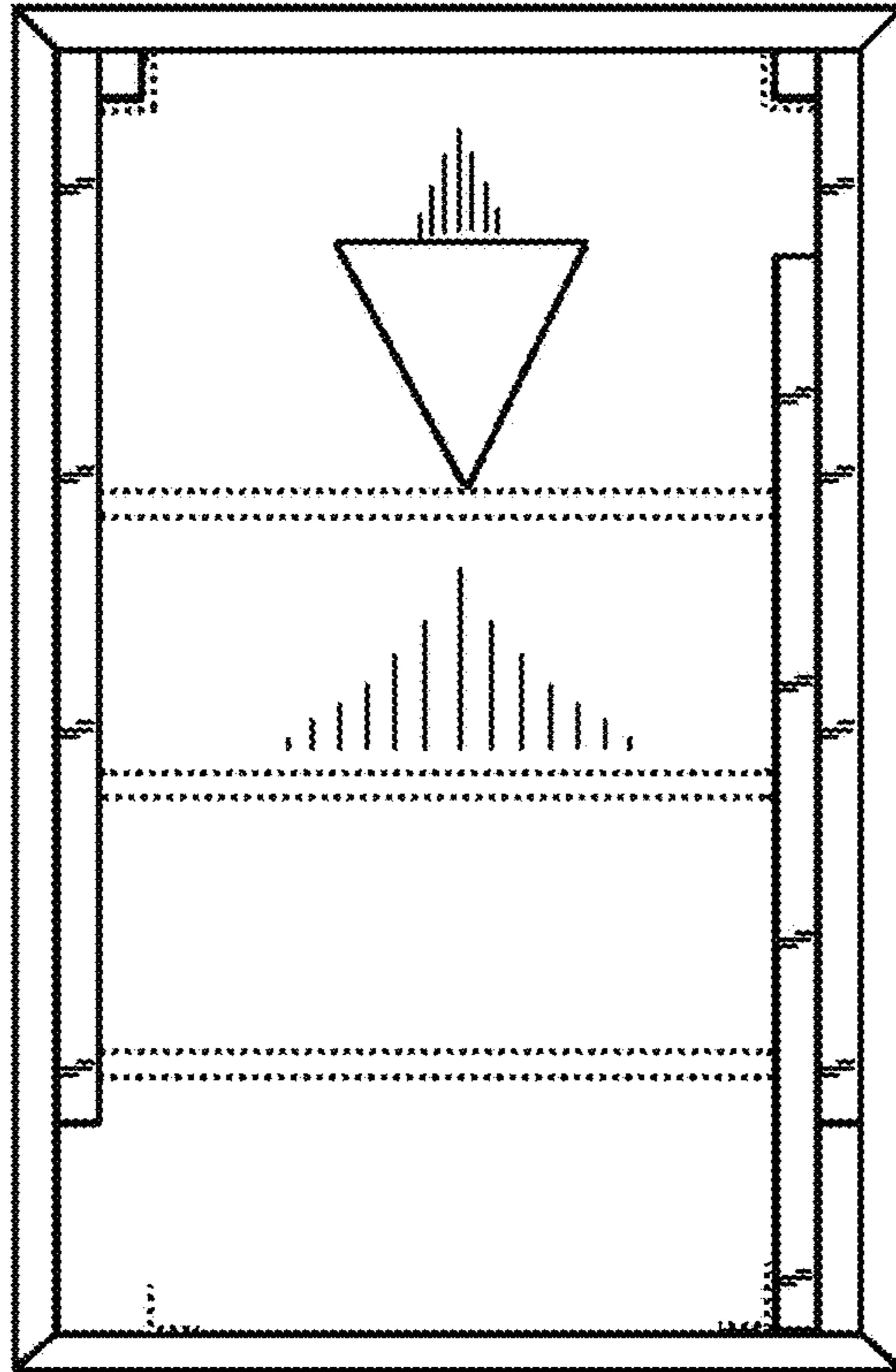


FIG. 14

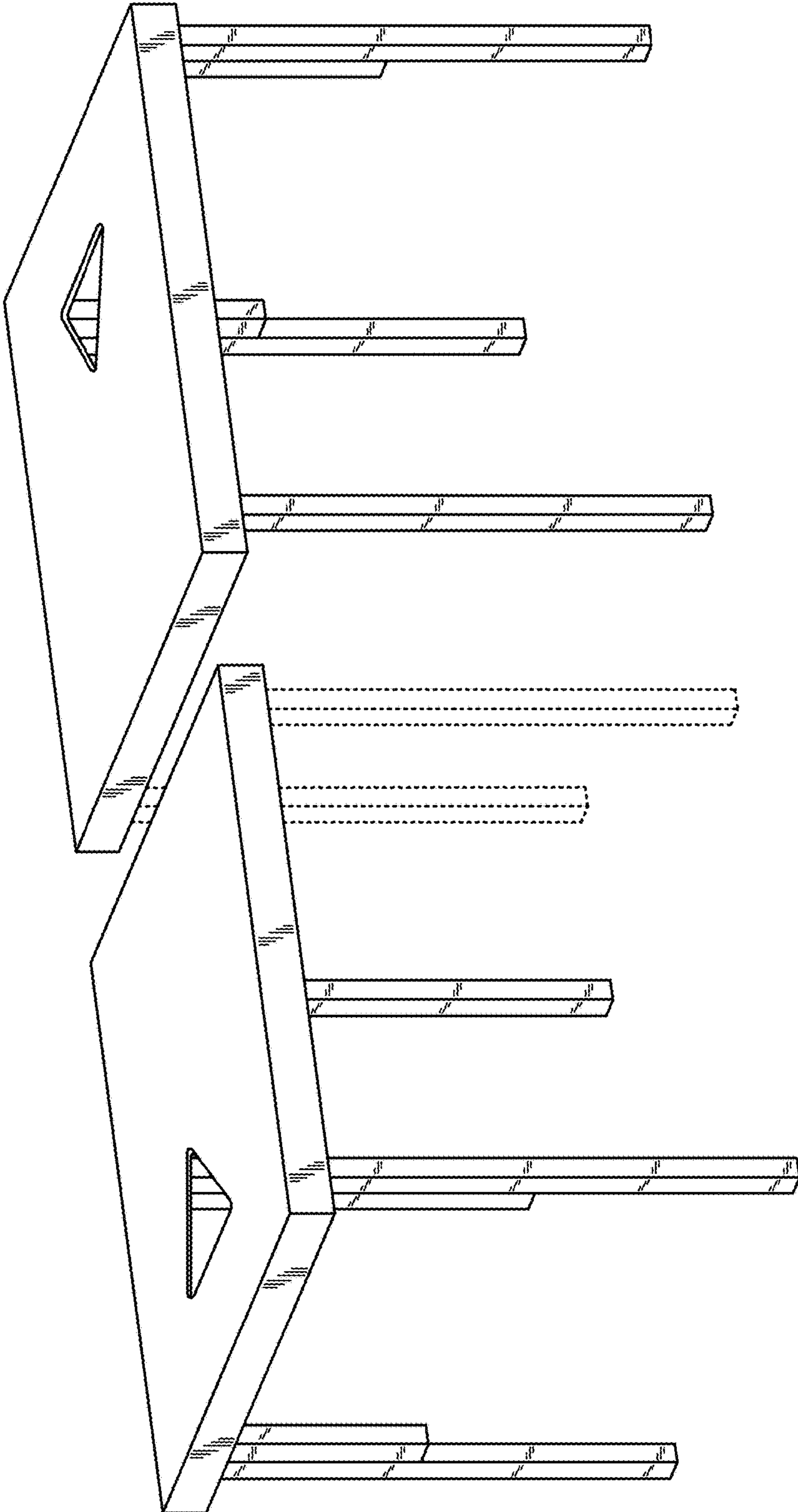


FIG. 15



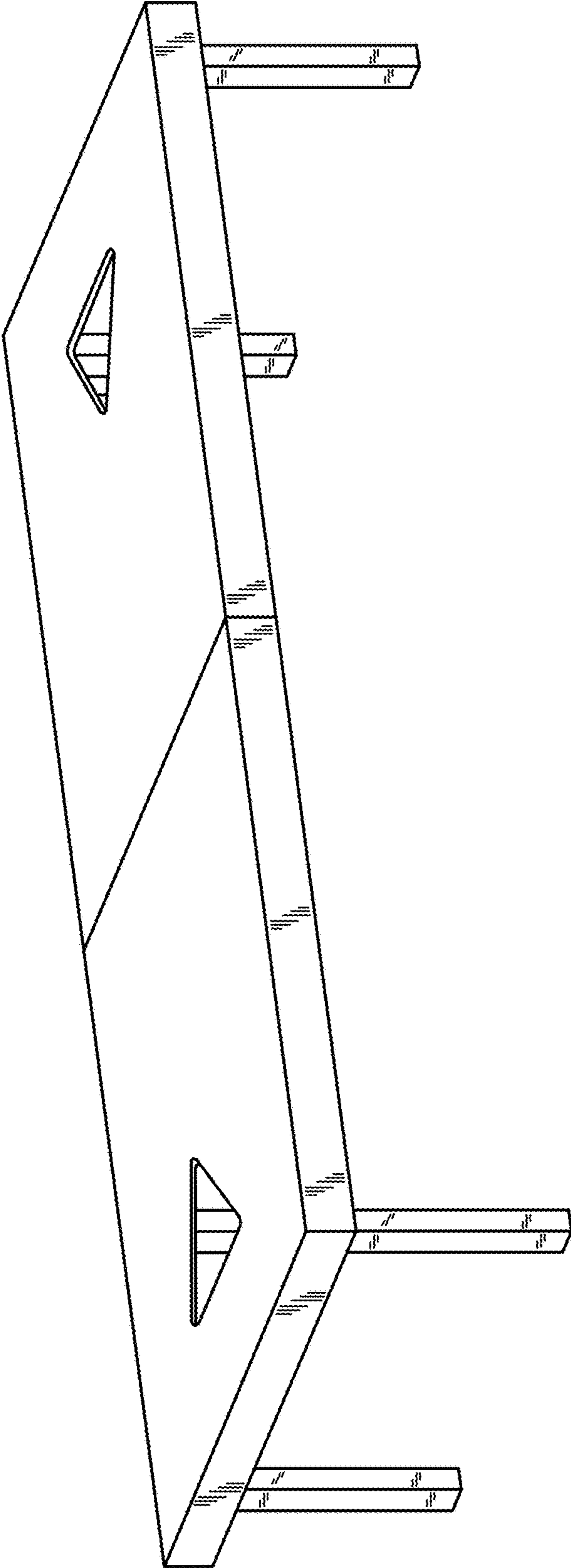


FIG. 16

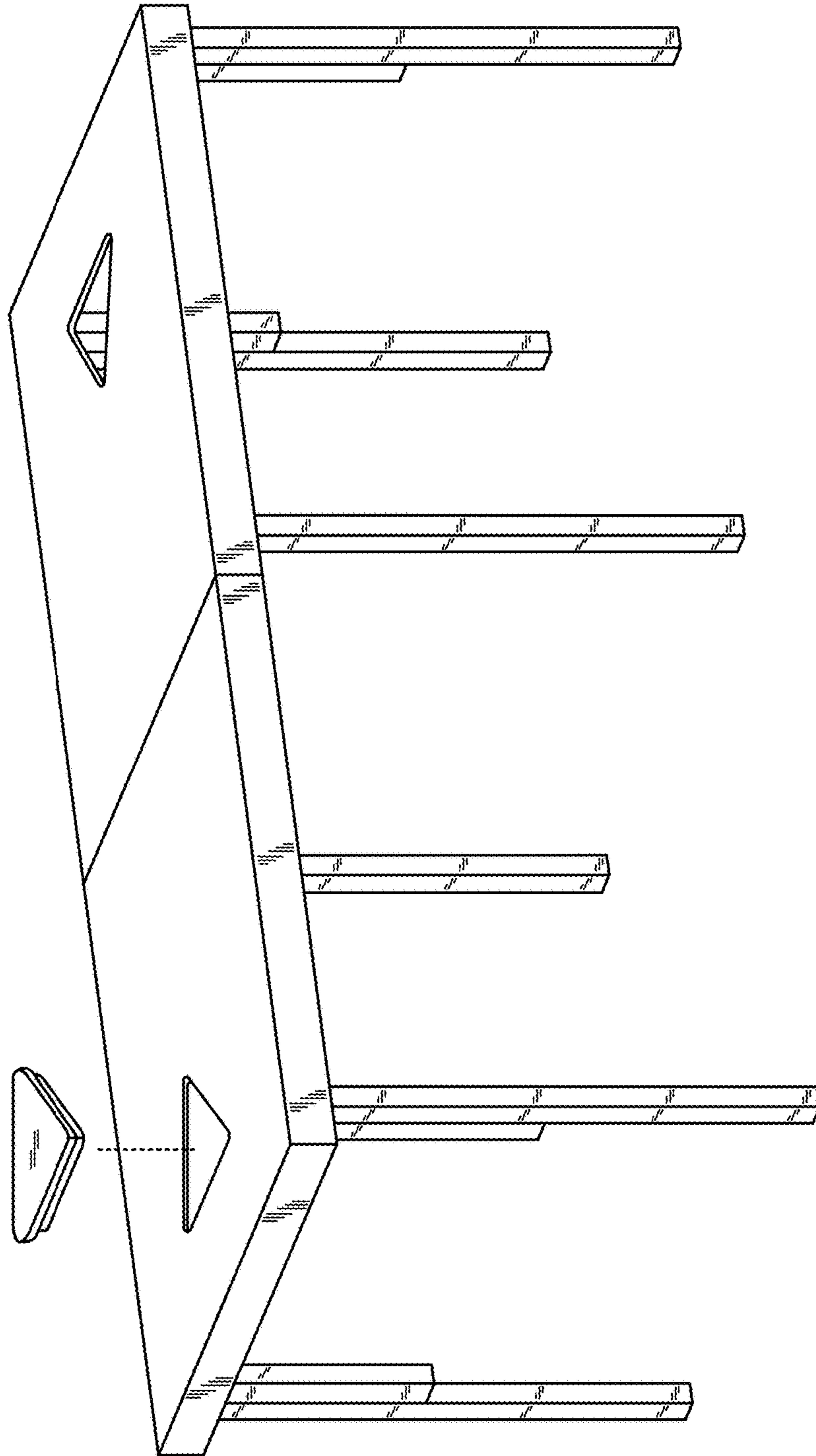


FIG. 17

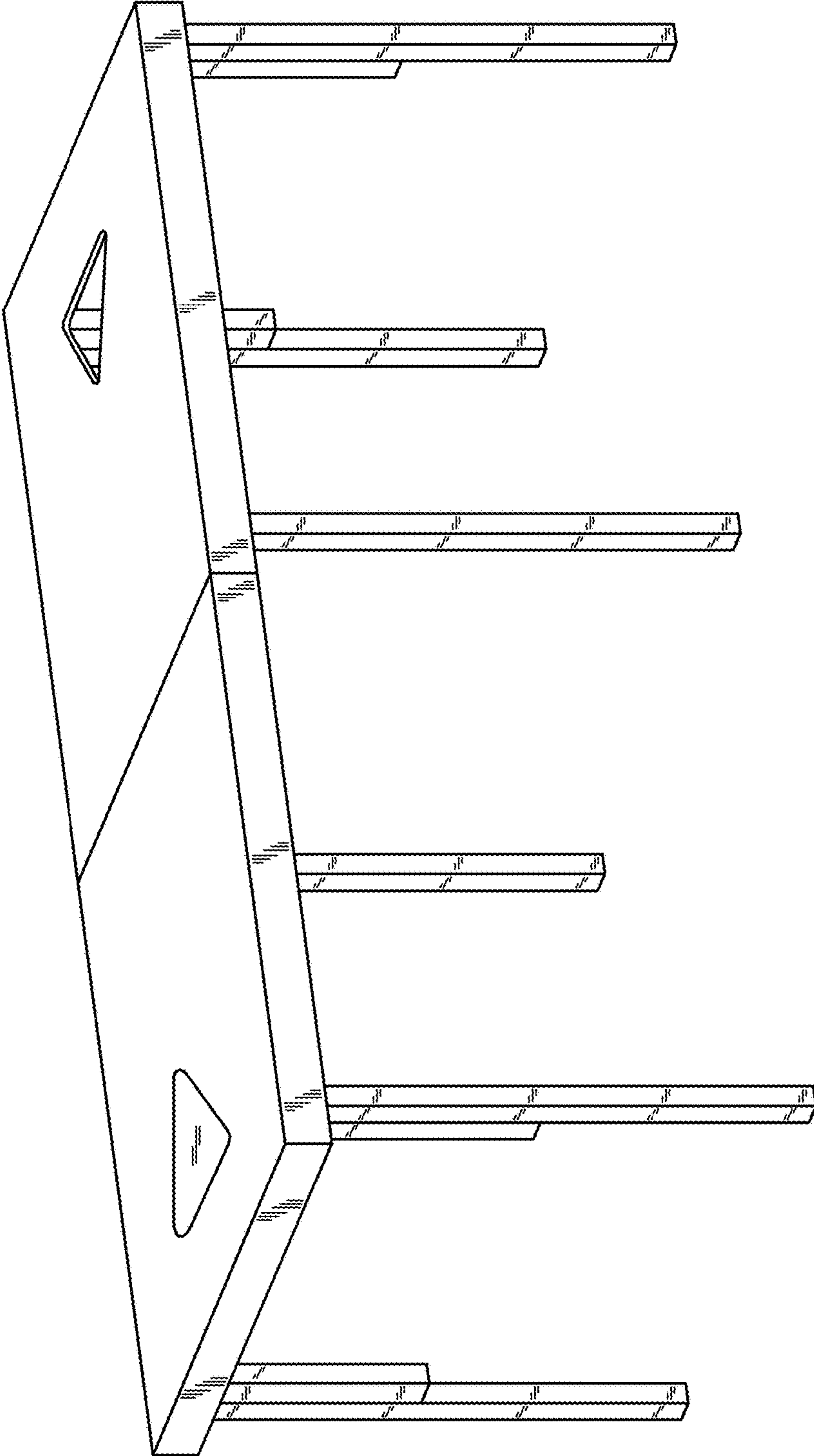


FIG. 18

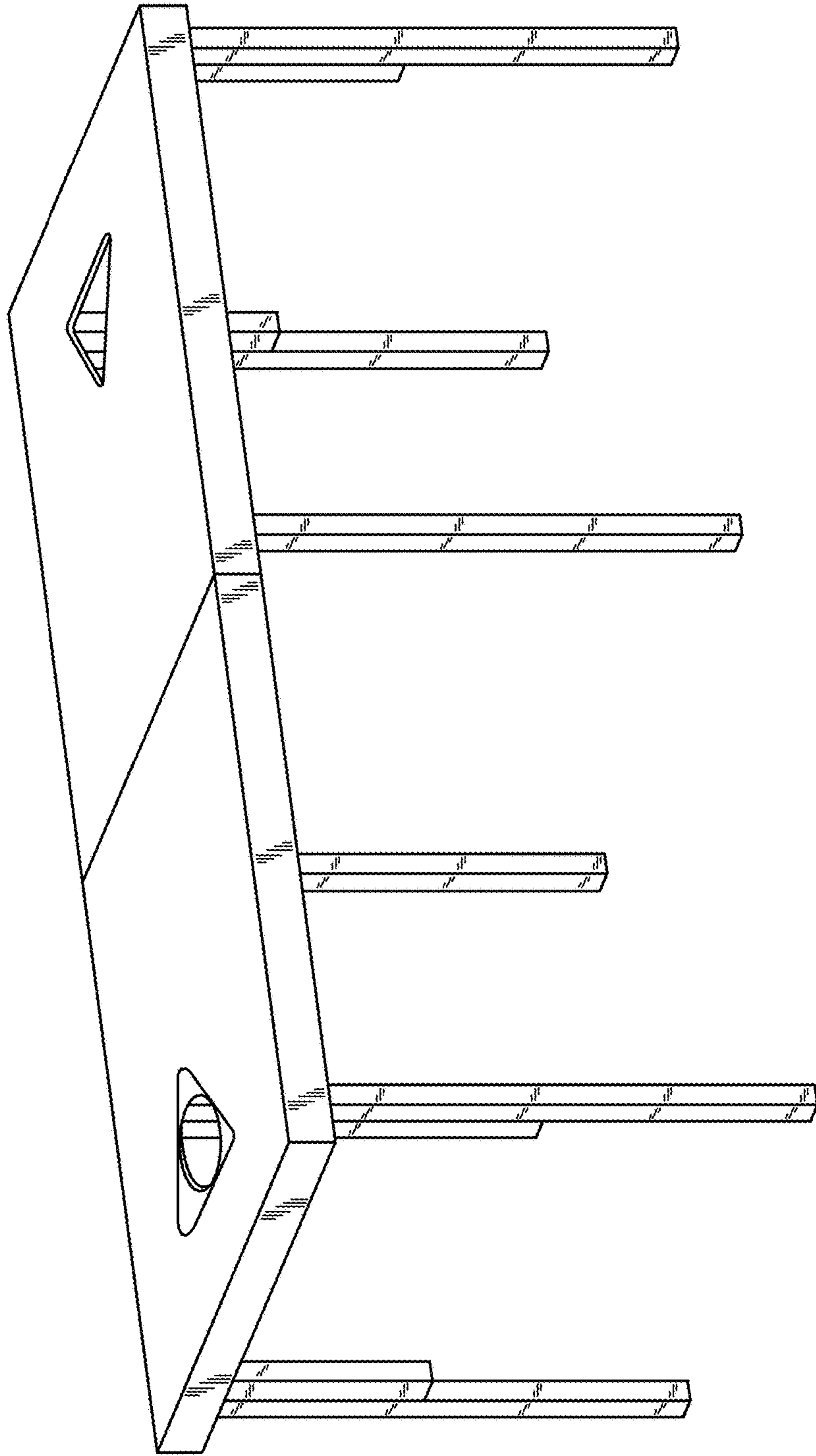


FIG. 19

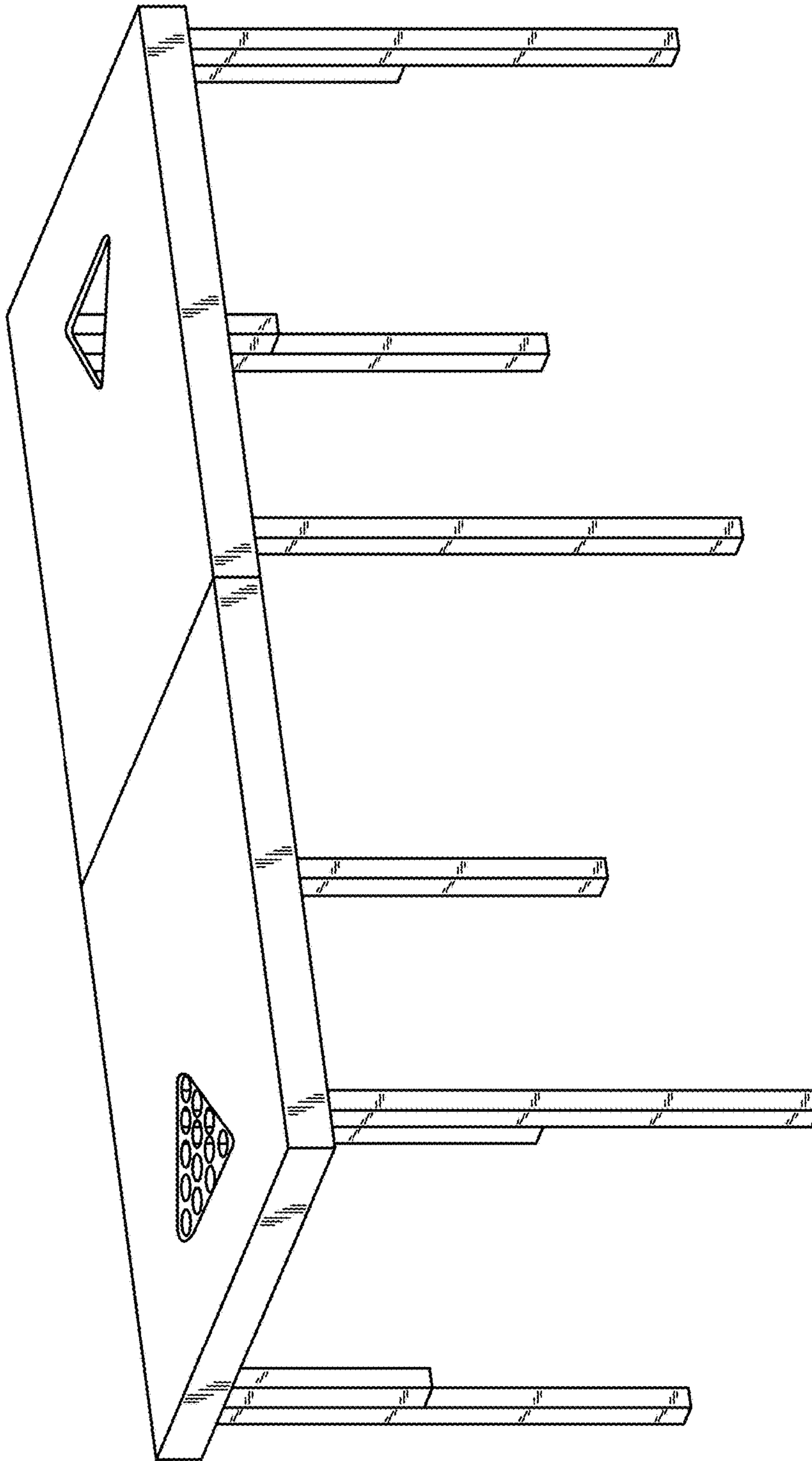


FIG. 20

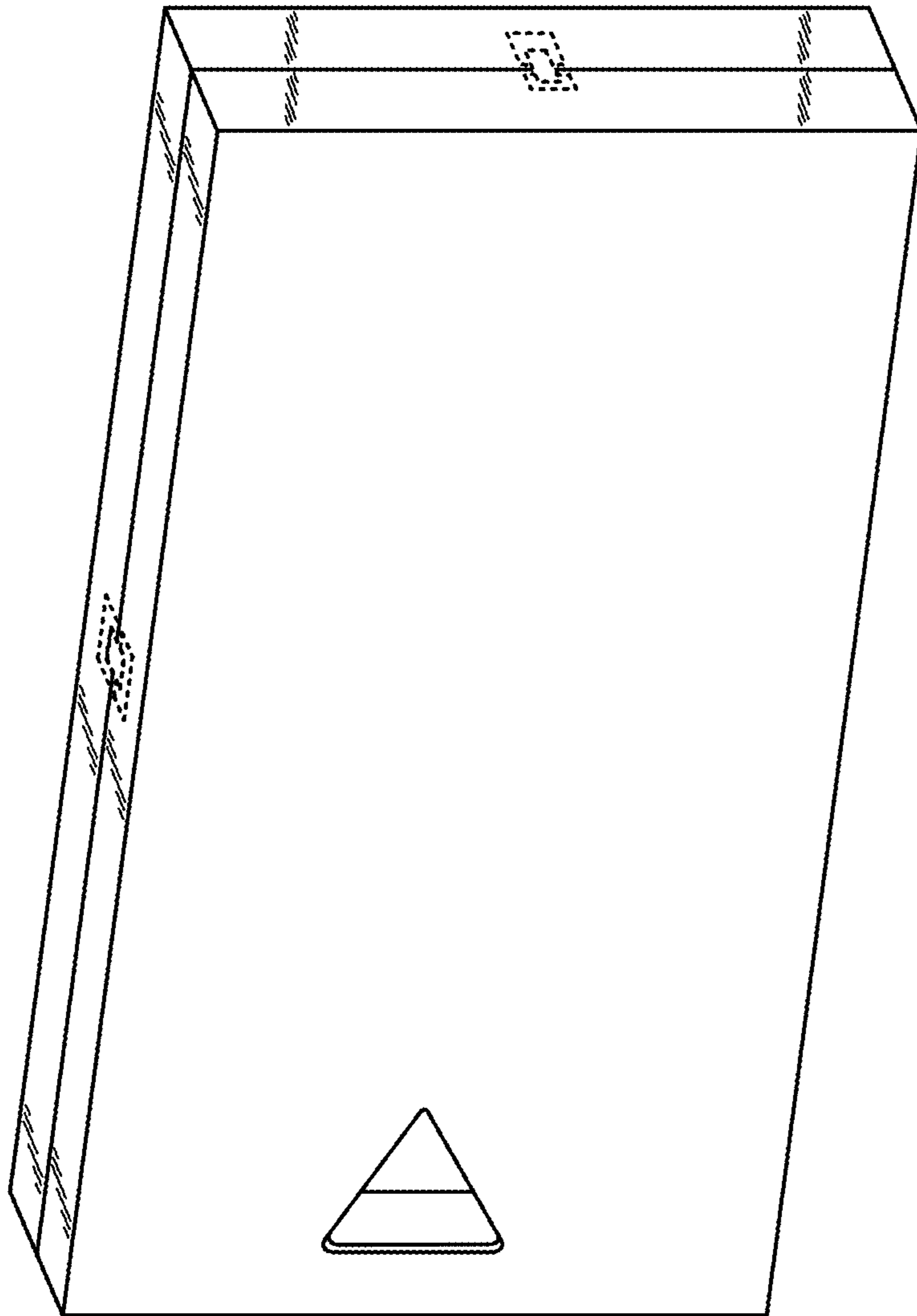


FIG. 21

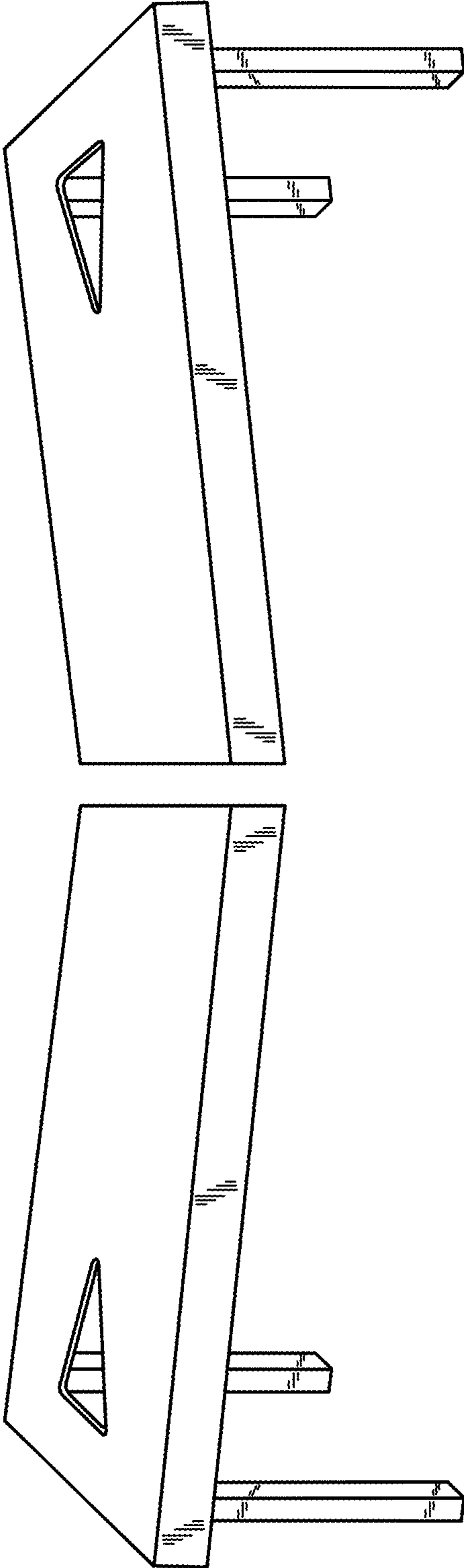


FIG. 22