



US00D815207S

(12) **United States Design Patent**
Kim

(10) **Patent No.:** **US D815,207 S**
(45) **Date of Patent:** **** Apr. 10, 2018**

- (54) **EXIT SIGN**
- (71) Applicant: **Il Kim**, Corona, CA (US)
- (72) Inventor: **Il Kim**, Corona, CA (US)
- (**) Term: **15 Years**
- (21) Appl. No.: **29/580,249**
- (22) Filed: **Oct. 6, 2016**
- (51) **LOC (11) Cl.** **20-03**
- (52) **U.S. Cl.**
USPC **D20/42**
- (58) **Field of Classification Search**
USPC D20/10, 11, 19, 22-28, 41, 42, 99;
D10/109, 114, 121
CPC G09F 1/00; G09F 1/02; G09F 2003/023;
G09F 2003/0261; G09F 2003/0264; G09F
7/00; G09F 3/206; G09F 13/00; G09F
2007/1807; G09F 13/04; G09F
2013/0427; G09F 2013/0495; G09D 3/00
See application file for complete search history.

- 6,824,295 B1 * 11/2004 Grondal G09F 13/14
362/234
- D500,814 S * 1/2005 Lee D20/42
- D507,373 S * 7/2005 Kim D10/111
- D561,264 S * 2/2008 Yu D20/19
- D585,795 S * 2/2009 Gundlach D12/162
- D586,860 S * 2/2009 Yu D20/42
- 7,520,072 B2 * 4/2009 Yu F21V 23/04
307/66
- D597,434 S * 8/2009 Yu D10/114.2
- D615,442 S * 5/2010 Yu D10/114.2
- D623,237 S * 9/2010 Lee D20/42
- D625,363 S * 10/2010 Lee D20/42
- D626,443 S * 11/2010 Yu D10/114.2
- D679,759 S * 4/2013 Brunelli D20/19
- D700,097 S * 2/2014 Hasan D10/114.1
- 2006/0225326 A1 * 10/2006 Robinson G09F 13/20
40/542
- 2010/0107462 A1 * 5/2010 Lee G08B 7/062
40/546

* cited by examiner

Primary Examiner — Mary Ann Calabrese

Assistant Examiner — Sloan Rozin

(56) **References Cited**

U.S. PATENT DOCUMENTS

- 3,931,689 A * 1/1976 Shine G09F 13/06
40/570
- 5,542,201 A * 8/1996 Grondal G02B 6/0055
362/800
- D379,373 S * 5/1997 Logan D20/10
- D383,501 S * 9/1997 Andre D20/42
- D391,992 S * 3/1998 Vosika D10/109.1
- D402,316 S * 12/1998 Evarts D20/10
- D406,279 S * 3/1999 LaRosa D20/10
- D445,138 S * 7/2001 Stark, III D10/109.1
- D446,818 S * 8/2001 Kim D20/10
- 6,741,324 B1 * 5/2004 Kim G09F 19/22
362/235
- D495,750 S * 9/2004 Lee D20/42
- D495,751 S * 9/2004 Pickard D20/42

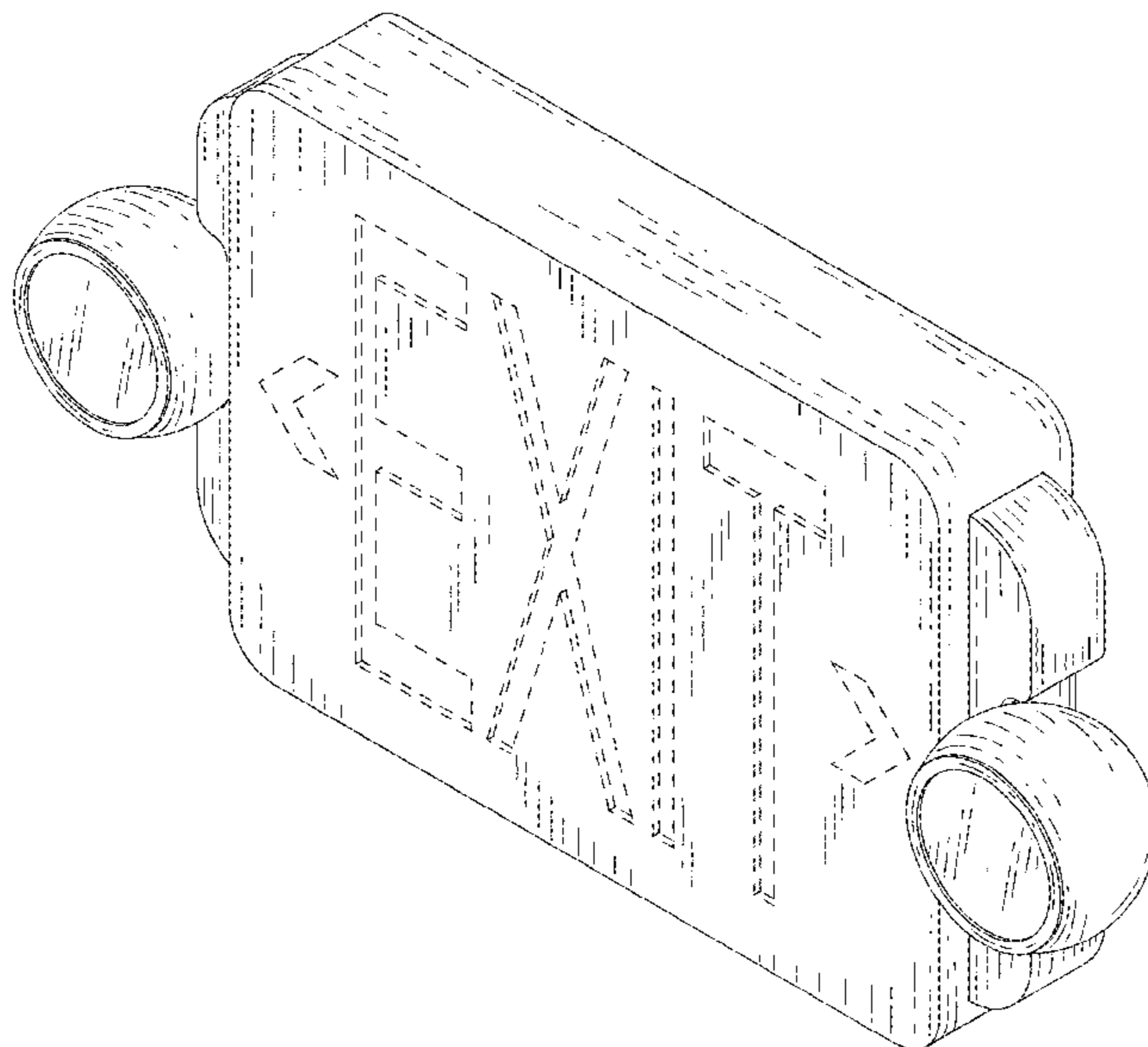
(57) **CLAIM**

The ornamental design for an exit sign, as shown and described.

DESCRIPTION

FIG. 1 is a perspective view of an exit sign;
 FIG. 2 is a front elevational view thereof;
 FIG. 3 is a rear elevational view thereof;
 FIG. 4 is a left-side elevational view thereof;
 FIG. 5 is a right-side elevational view thereof;
 FIG. 6 is a top plan view thereof; and,
 FIG. 7 is a bottom plan view thereof.
 The broken line showing of a word in FIG. 1 and FIG. 2 is included for the purpose of showing environmental structure and form no part of the claimed design.

1 Claim, 7 Drawing Sheets



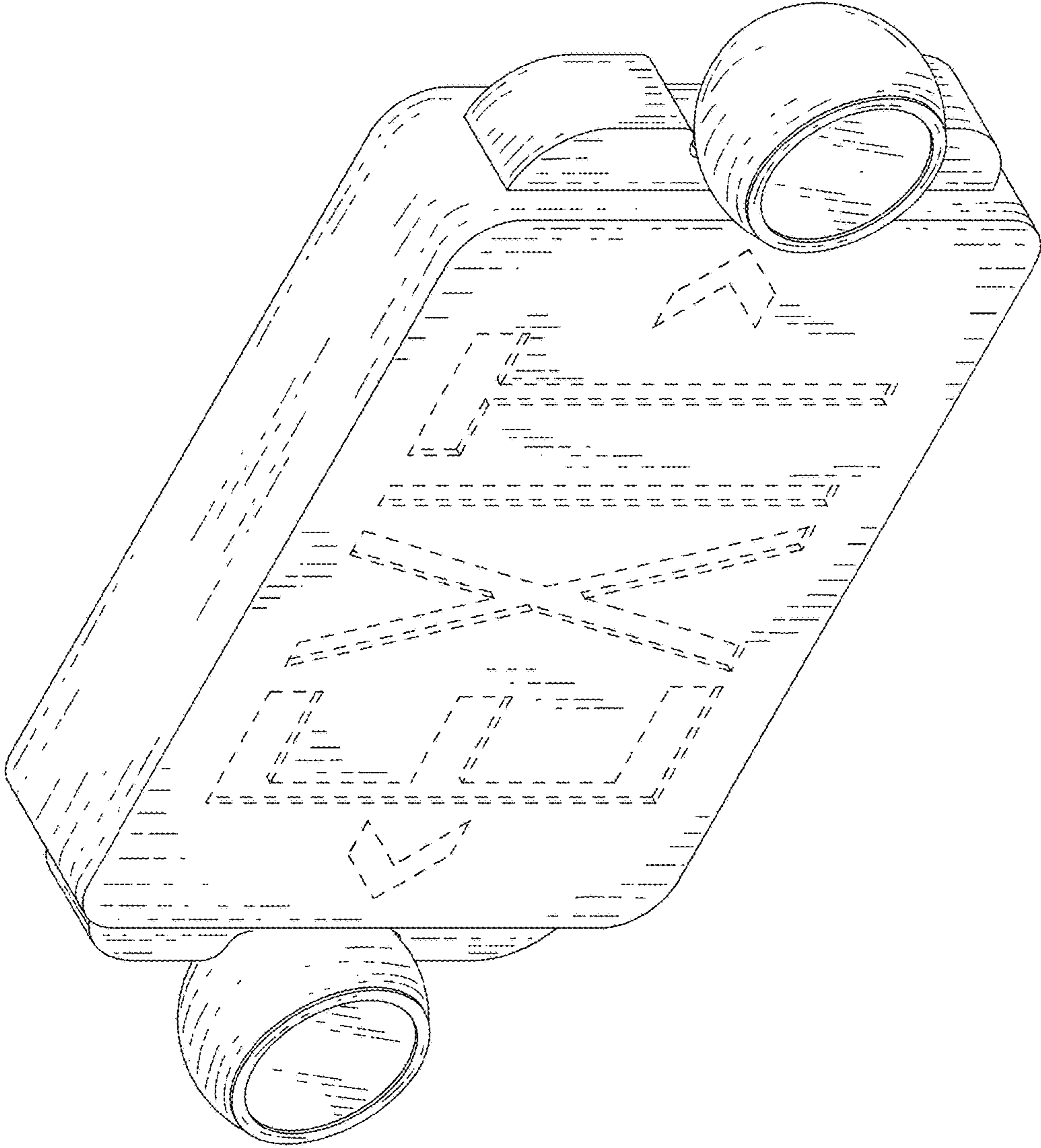


FIG. 1

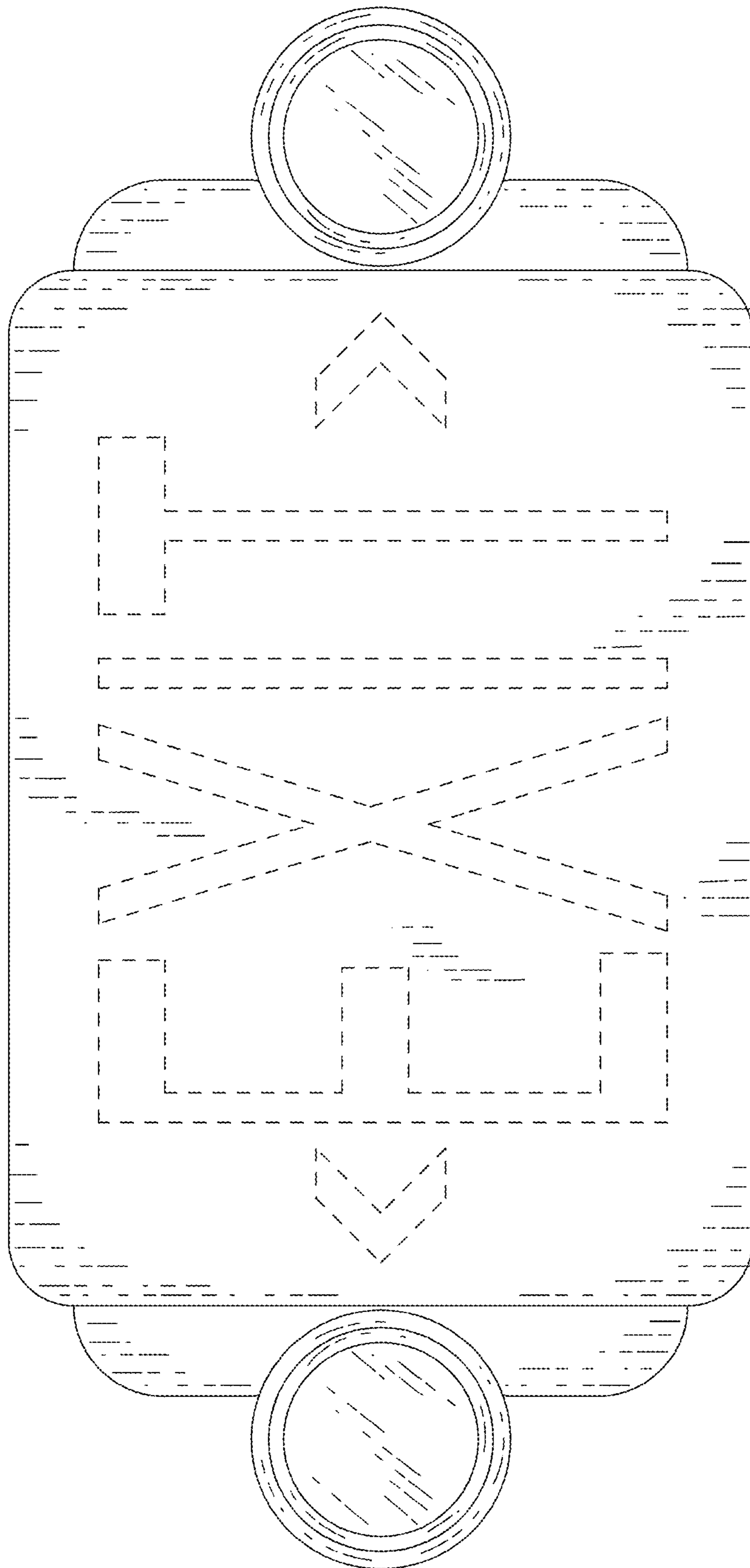


FIG. 2

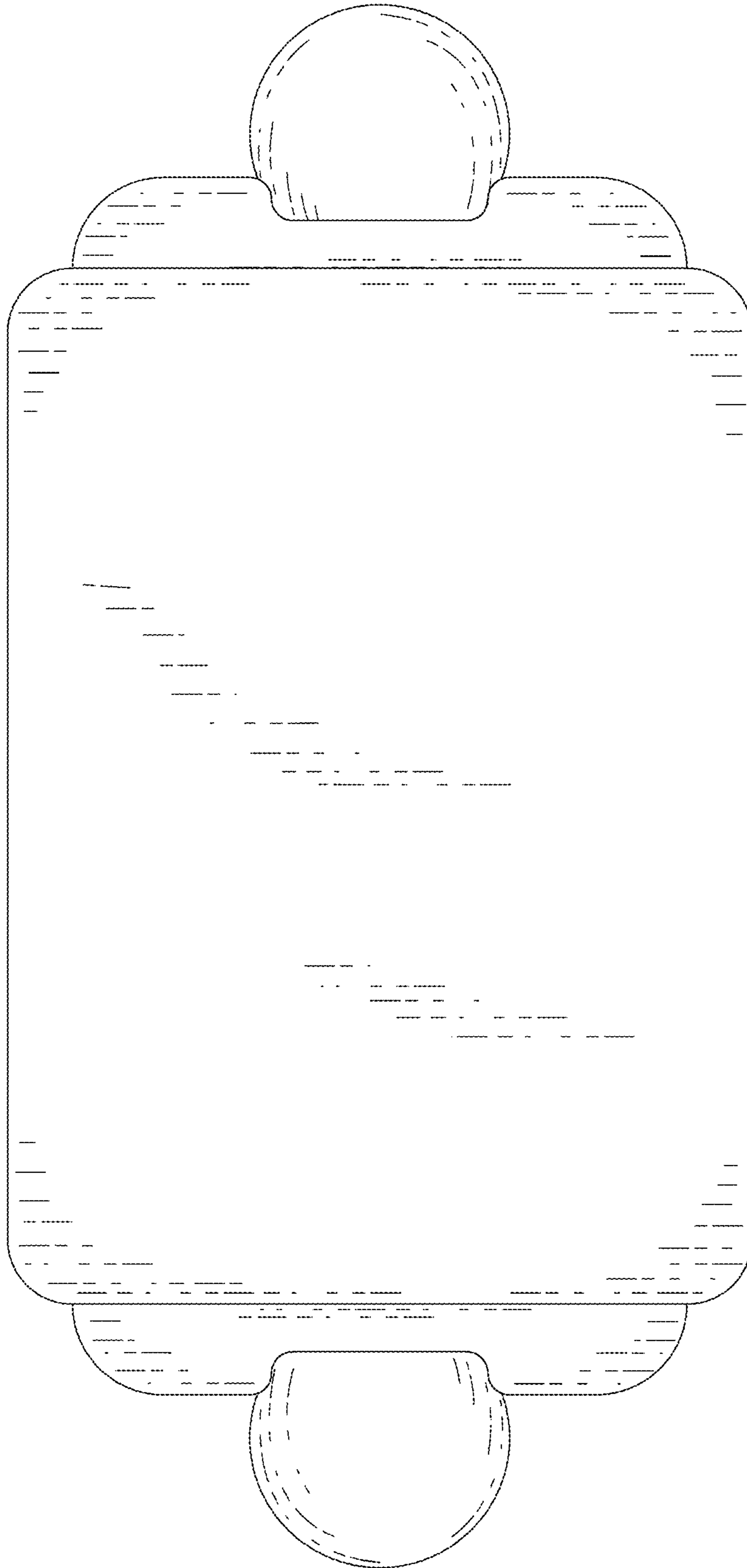


FIG. 3

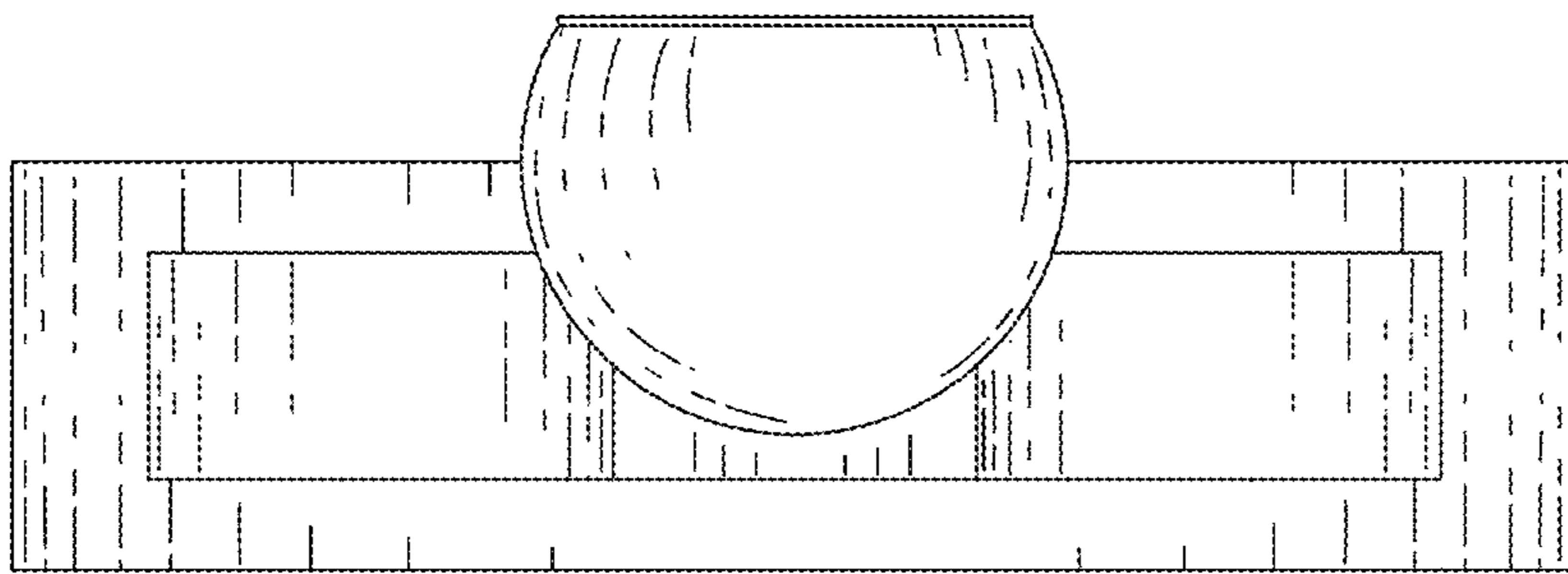


FIG. 4

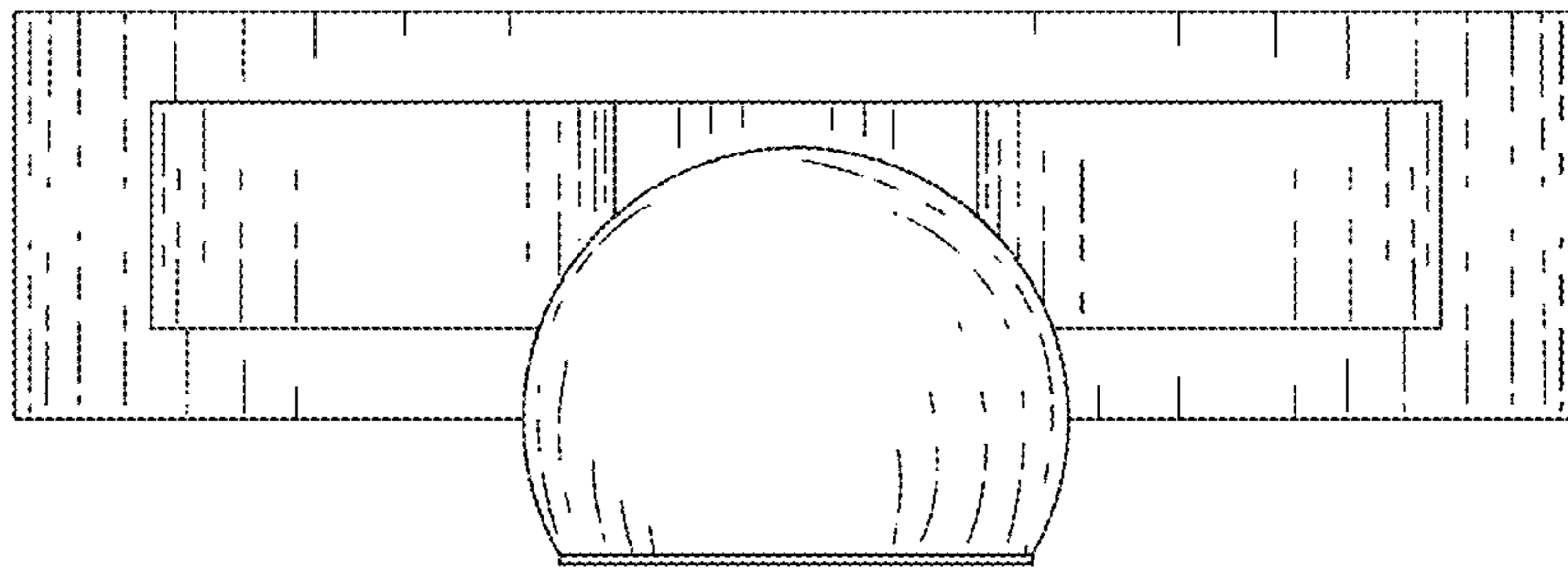


FIG. 5

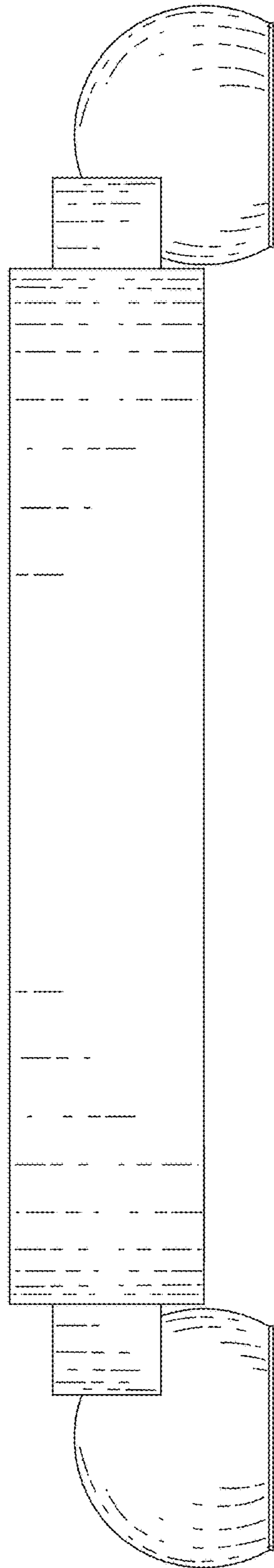


FIG. 6

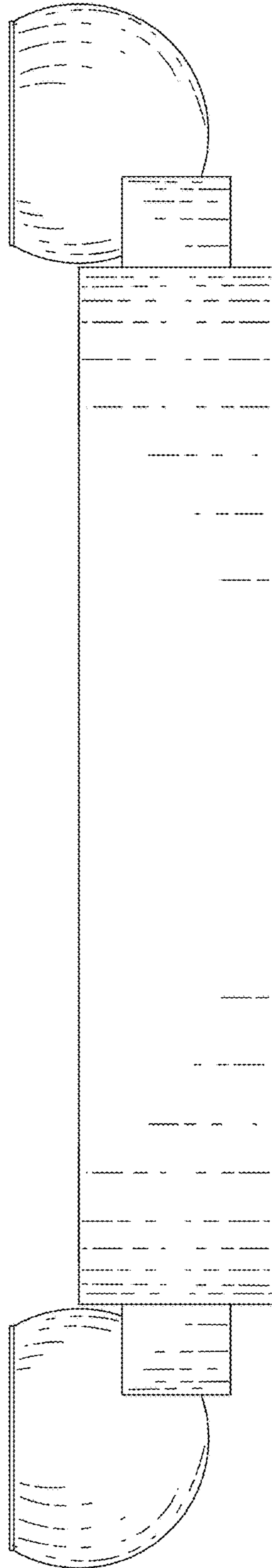


FIG. 7