



US00D815203S

(12) **United States Design Patent**
Sato et al.

(10) **Patent No.:** **US D815,203 S**
(45) **Date of Patent:** **** Apr. 10, 2018**

- (54) **TWO-SIDED TAB**
- (71) Applicant: **CCL Label, Inc.**, Framingham, MA (US)
- (72) Inventors: **Jay Sato**, Mission Viejo, CA (US);
Darren Ferris, Portland, OR (US)
- (73) Assignee: **CCL LABEL, INC.**, Framingham, MA (US)
- (**) Term: **14 Years**
- (21) Appl. No.: **29/506,736**
- (22) Filed: **Oct. 20, 2014**
- (51) **LOC (11) Cl.** **19-99**
- (52) **U.S. Cl.**
USPC **D19/99**
- (58) **Field of Classification Search**
USPC D19/1, 2, 26-33, 86, 90, 99, 100;
229/67.1-67.4, 72
CPC B42F 19/00; B42F 19/04; B42F 21/00;
B42F 21/02; B42F 21/025; B42F 21/04;
B42F 21/06; B42F 21/065; B42F 21/08;
B42F 21/10
See application file for complete search history.

- (56) **References Cited**
U.S. PATENT DOCUMENTS
- 592,821 A * 11/1897 Ogden B42F 19/00
40/27
- 742,617 A * 10/1903 Eichorn B42F 19/00
40/641
- 968,065 A * 8/1910 Mehl B42F 19/00
40/360
- 1,077,334 A * 11/1913 Dunleavy B42F 19/00
40/360
- 1,116,383 A * 11/1914 Case B42F 19/00
40/641
- 1,150,034 A * 8/1915 Hub B42F 19/00
40/360

- 1,257,160 A * 2/1918 Wagemaker B42F 19/00
40/360
- 1,259,322 A * 3/1918 Vawter B42F 19/00
40/360
- 1,273,960 A * 7/1918 Wagemaker B42F 19/00
40/360
- 1,347,241 A * 7/1920 Aigner B42F 19/00
40/641
- 1,400,862 A * 12/1921 Burgoyne B42F 19/00
24/DIG. 11

(Continued)

Primary Examiner — Elizabeth Albert
(74) *Attorney, Agent, or Firm* — McDonald Hopkins LLC

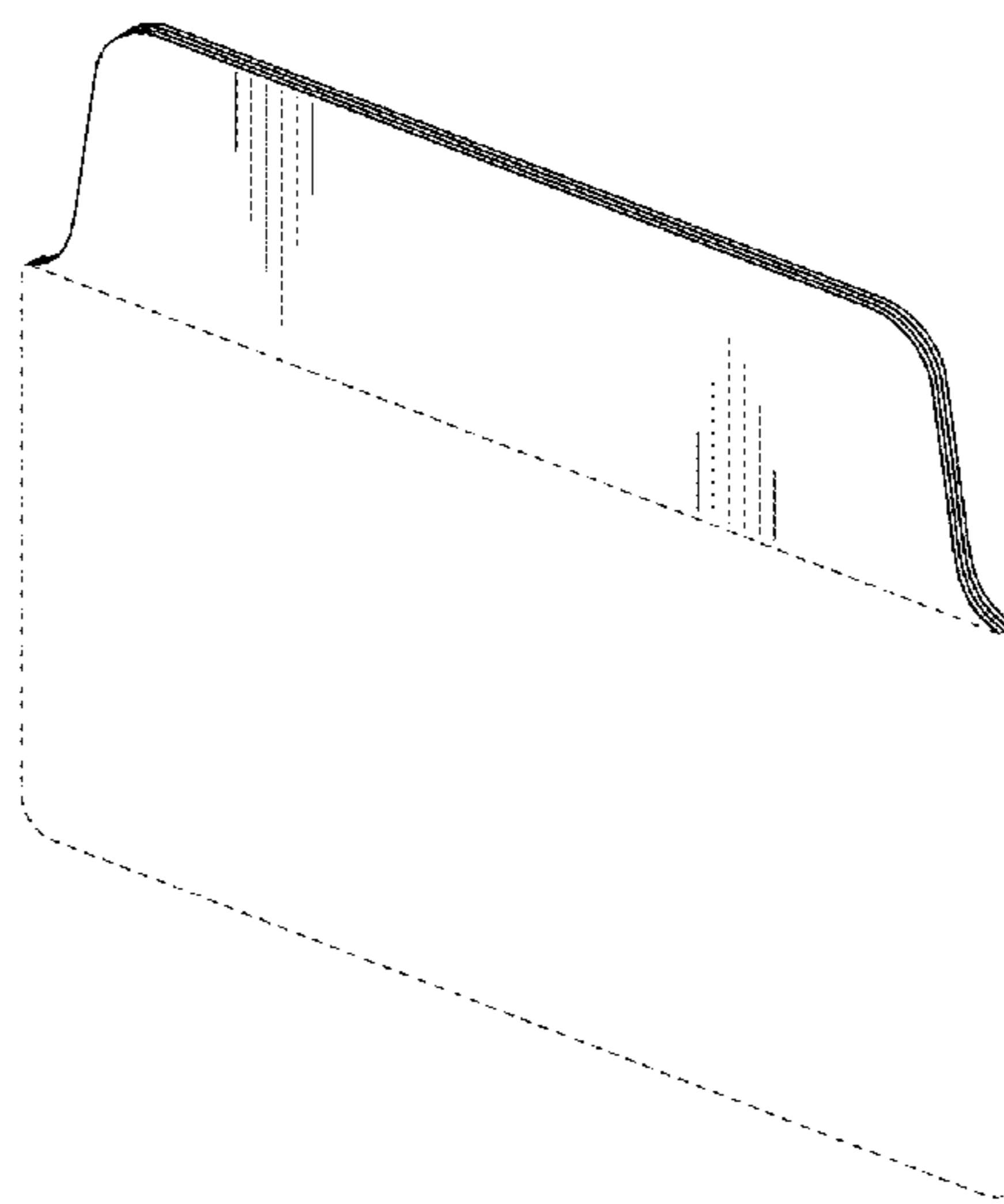
(57) **CLAIM**

The ornamental design for a two-sided tab, as shown and described.

DESCRIPTION

FIG. 1 is a perspective view of a two-sided tab showing my new design;
 FIG. 2 is a front view thereof;
 FIG. 3 is a rear view thereof;
 FIG. 4 is a first side view thereof;
 FIG. 5 is a second side view thereof;
 FIG. 6 is a top view thereof;
 FIG. 7 is a bottom view thereof;
 FIG. 8 is a perspective view of a second embodiment of a two-sided tab showing my new design;
 FIG. 9 is a perspective view of a third embodiment of a two-sided tab showing my new design;
 FIG. 10 is a perspective view of a fourth embodiment of a two-sided tab showing my new design; and,
 FIG. 11 is a perspective view of a fifth embodiment of a two-sided tab showing my new design.
 The broken lines in the figures are included for the purpose of illustrating portions of a two-sided tab and form no part of the claimed design.

1 Claim, 4 Drawing Sheets



(56)

References Cited

U.S. PATENT DOCUMENTS

1,460,761 A * 7/1923 McPike B42F 19/00
40/360
1,472,887 A * 11/1923 Ringler B42F 19/00
40/641
1,615,427 A * 1/1927 Walker B42F 17/32
40/382
1,705,753 A * 3/1929 Dawson B42F 19/00
40/360
1,743,191 A * 1/1930 Charlton B42F 19/00
40/359
1,785,780 A * 12/1930 Maish B42F 19/00
40/641
1,804,528 A * 5/1931 Donnell B42F 19/00
40/360
1,848,098 A * 3/1932 Aigner B42F 19/00
40/641
1,983,878 A * 12/1934 Rand B42F 19/00
206/813
2,203,155 A * 6/1940 Jullien H01M 10/42
224/222
2,693,807 A * 11/1954 Stark B42F 21/10
40/382
2,815,595 A * 12/1957 Davis B42F 19/00
24/67 AR
3,071,047 A * 1/1963 Bentfield B42F 19/00
156/DIG. 19
3,691,662 A * 9/1972 Cunningham B42F 19/00
40/641
D258,897 S * 4/1981 Glaubinger 402/79
4,636,432 A * 1/1987 Shibano C09J 7/045
428/327
4,849,056 A * 7/1989 Ristuccia, Sr. B42F 17/02
281/38
4,905,393 A * 3/1990 Laurie G09F 3/06
40/641
5,056,824 A * 10/1991 Olson B42D 1/006
281/3.1
D368,487 S * 4/1996 Lindberg D19/1
D369,267 S * 4/1996 Harrington D19/99
5,518,273 A * 5/1996 Olson B42D 1/005
283/36
5,558,454 A * 9/1996 Owen B42F 13/00
281/38
5,727,361 A * 3/1998 Weder A01G 5/04
53/397

5,732,977 A * 3/1998 Kohana B42F 21/00
281/29
5,911,442 A * 6/1999 Olson B42D 1/005
281/42
5,967,561 A * 10/1999 Glenn G09F 3/0288
283/36
6,013,154 A * 1/2000 Thomas-Cote B42F 21/04
156/230
6,071,030 A * 6/2000 Hunter B42F 13/00
281/38
6,132,831 A * 10/2000 Thomas-Cote B42F 21/04
428/131
D443,894 S * 6/2001 Schwartz D19/1
D447,770 S * 9/2001 Chan D19/1
6,364,366 B1 * 4/2002 Schwartz B42F 21/04
283/101
6,409,409 B2 * 6/2002 Bauman 229/67.1
6,461,708 B1 * 10/2002 Dronzek B32B 27/08
383/78
D480,754 S * 10/2003 Berger D19/1
D501,341 S * 2/2005 Cassidy D3/319
7,128,957 B2 * 10/2006 Bratter B42D 5/003
283/37
7,163,413 B2 * 1/2007 Murayama H01R 13/6272
439/258
7,294,219 B2 * 11/2007 Arippol B31D 1/021
156/152
7,467,487 B2 * 12/2008 Sato B42F 21/00
40/359
D603,905 S * 11/2009 Green D19/99
7,964,228 B2 * 6/2011 Milliorn G09F 3/10
206/459.1
8,117,774 B2 * 2/2012 Meltzer B42F 21/025
229/67.2
D667,494 S * 9/2012 Sato D19/1
D679,753 S * 4/2013 Sato D19/1
D680,166 S * 4/2013 Sato D19/1
D681,110 S * 4/2013 Sato D19/1
D681,111 S * 4/2013 Sato D19/1
D690,351 S * 9/2013 Sato D19/1
D703,750 S * 4/2014 Tsai D19/99
8,778,474 B2 * 7/2014 Sato B42D 5/003
428/343
2005/0194090 A1 * 9/2005 Milliorn G09F 3/10
156/247
2009/0091117 A1 * 4/2009 Shoffstall-Ridley ... B42D 13/00
281/20

* cited by examiner

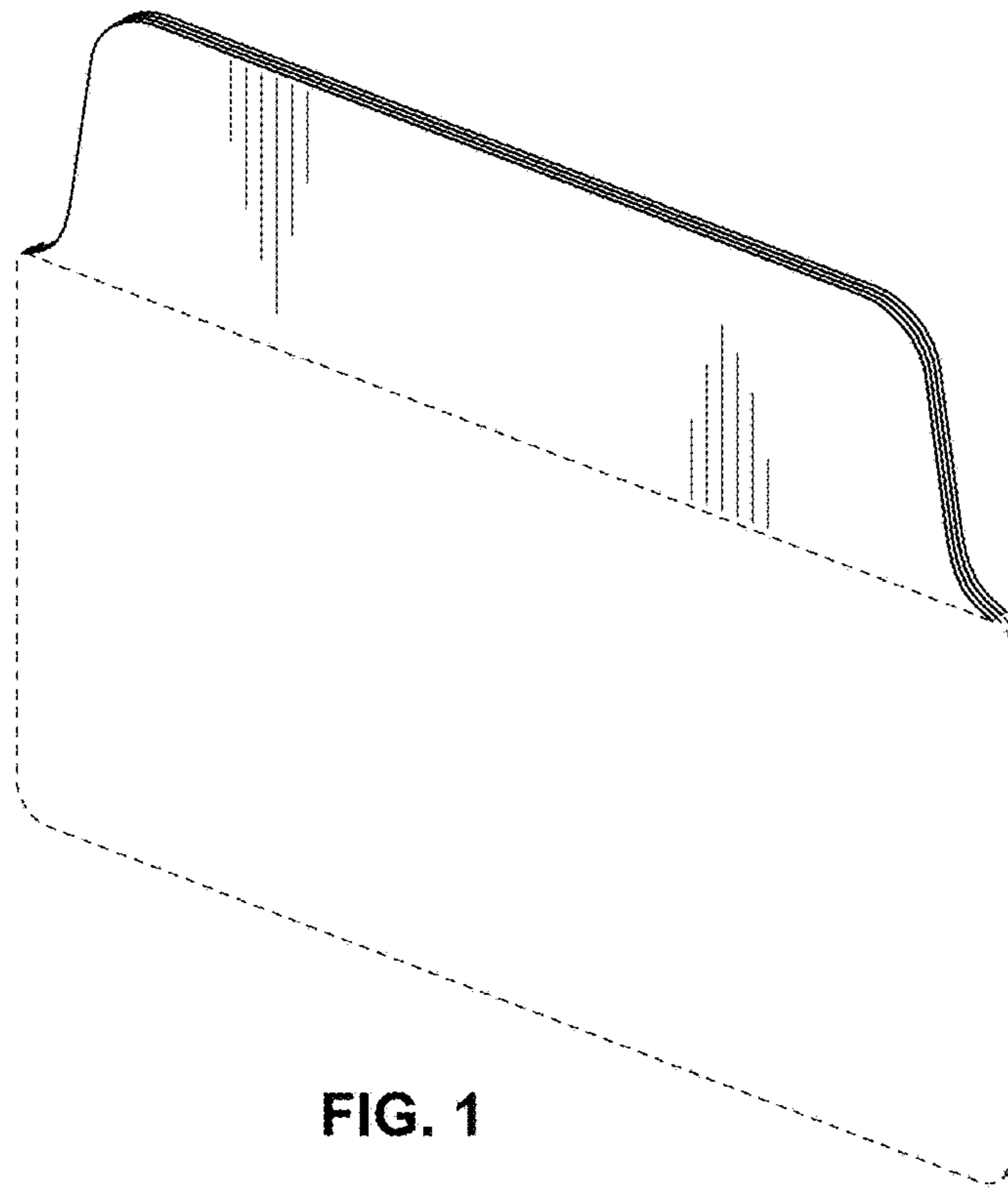


FIG. 1

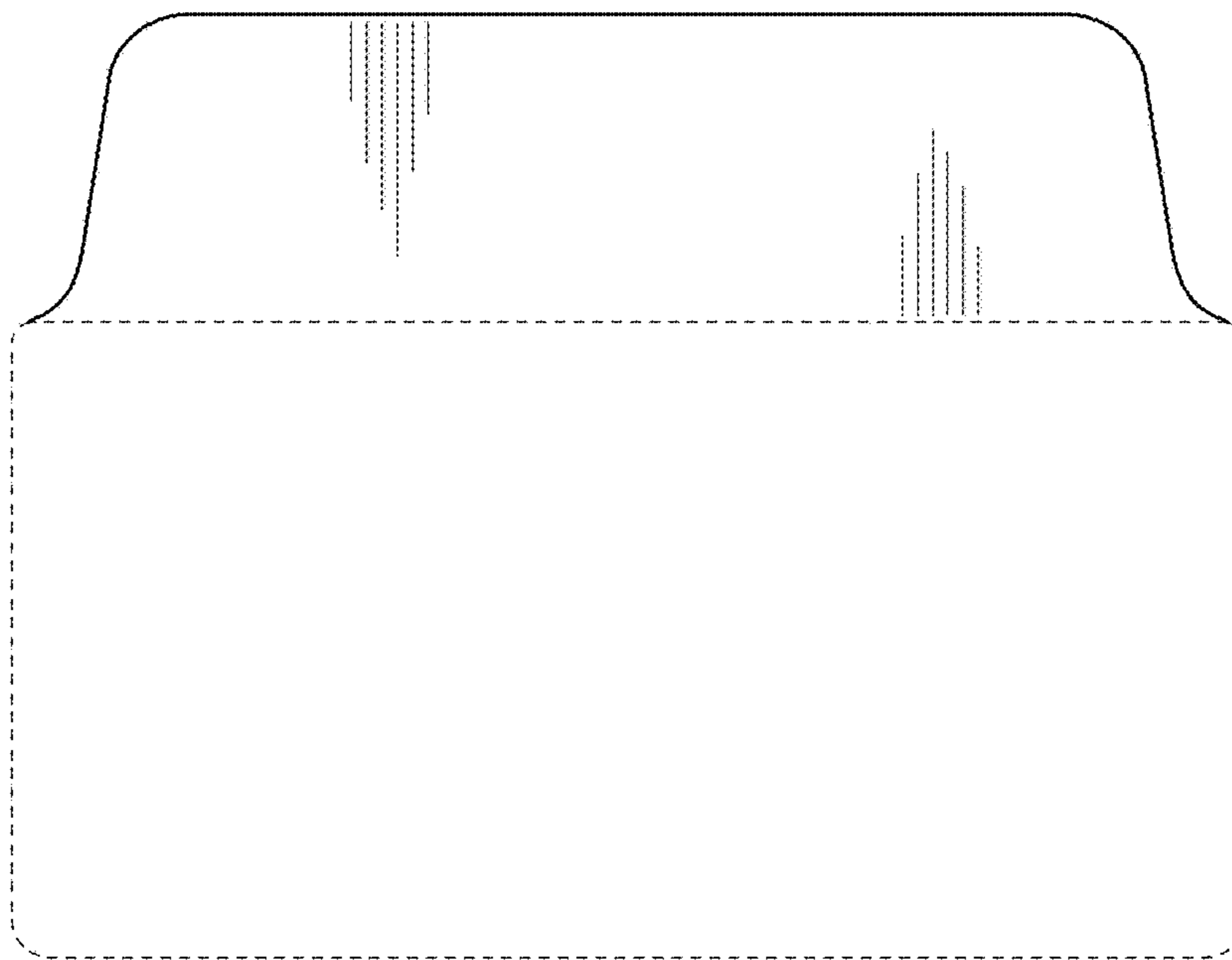


FIG. 2

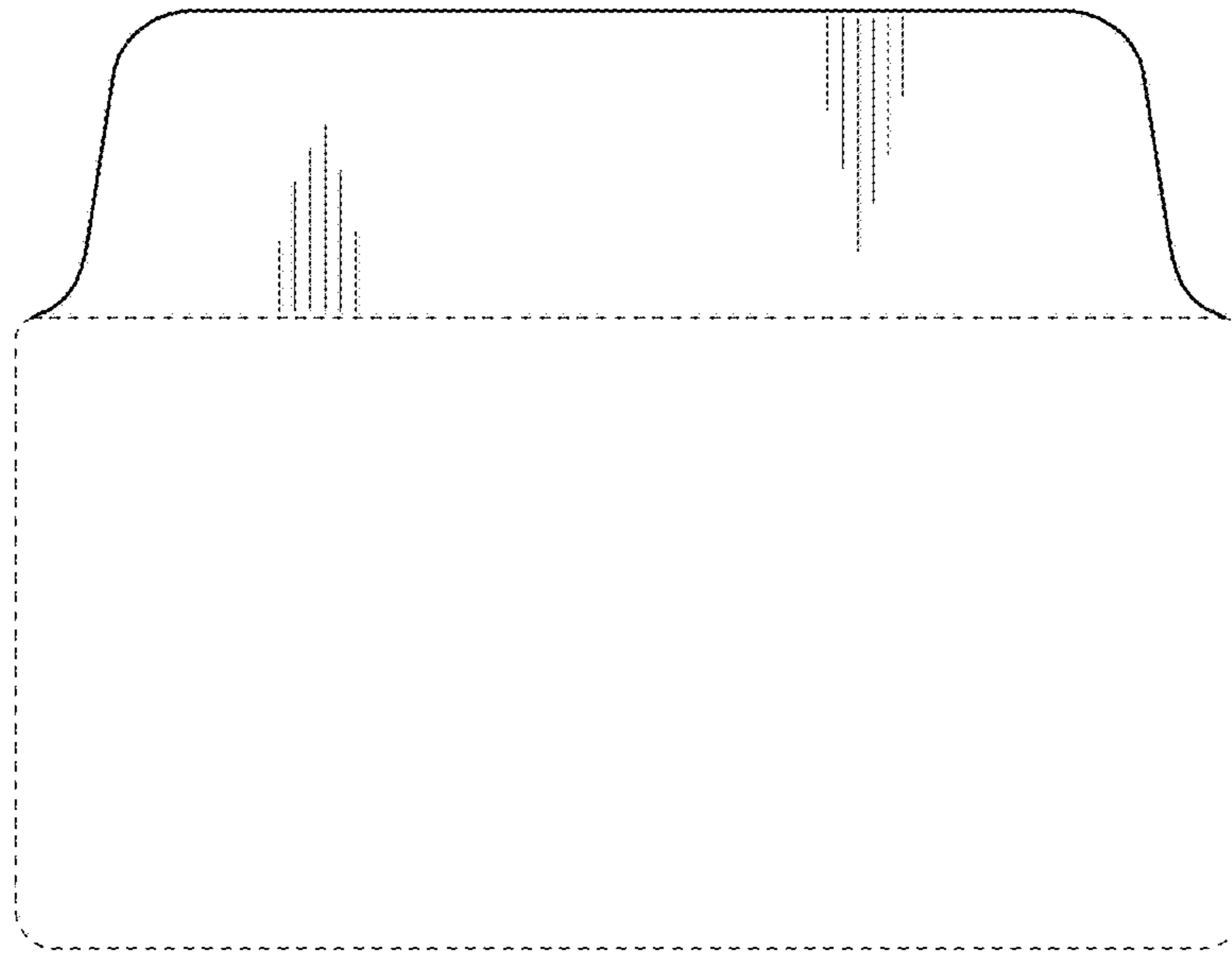


FIG. 3

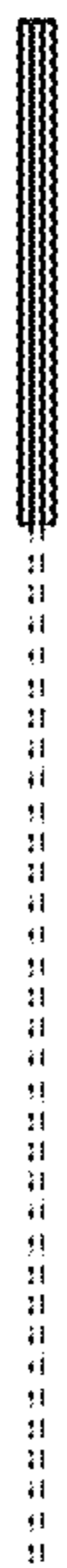


FIG. 4

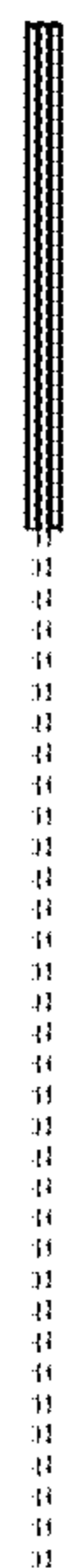


FIG. 5

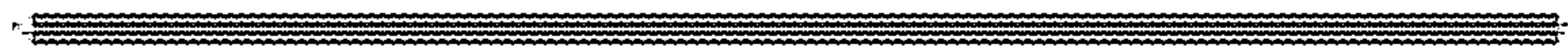


FIG. 6



FIG. 7

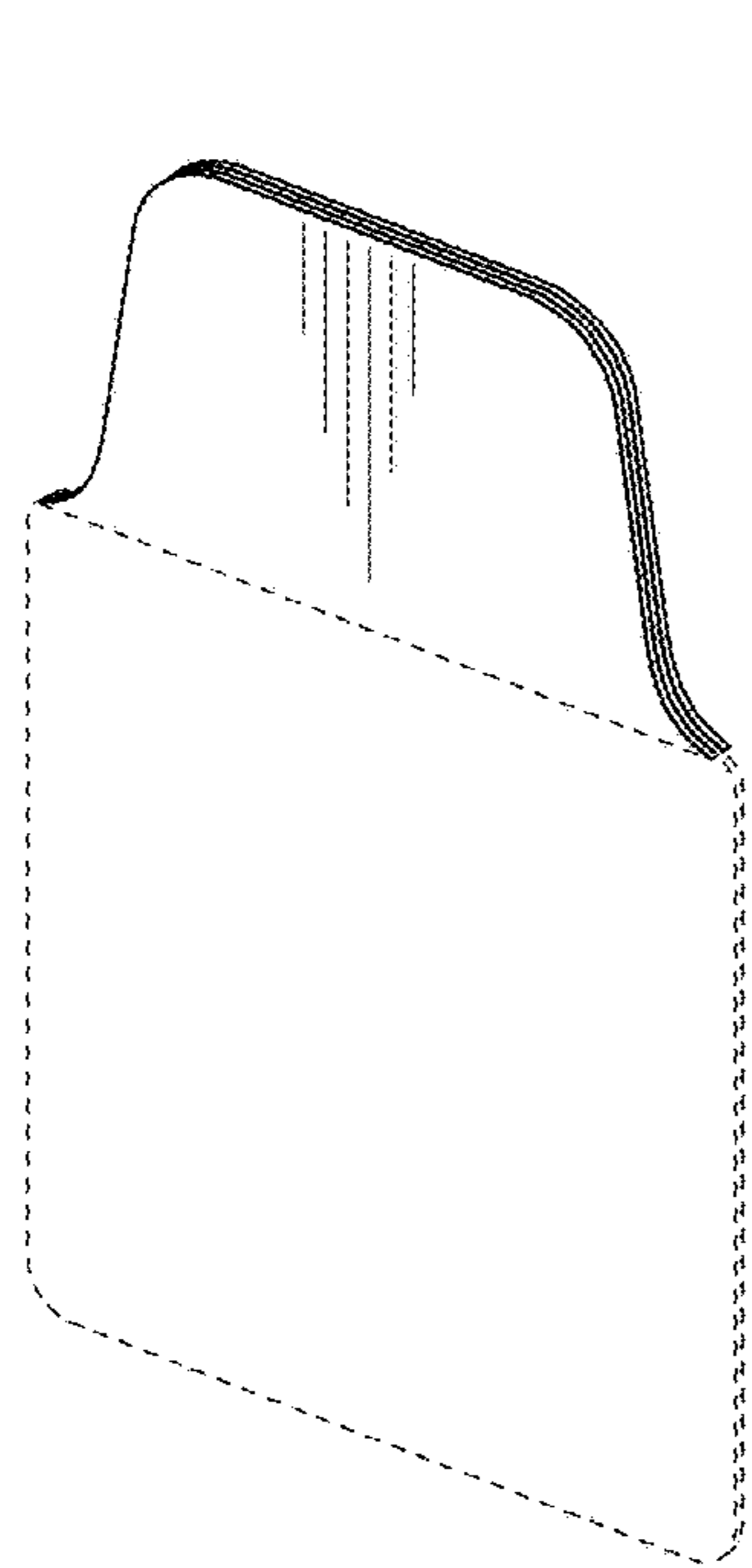


FIG. 8

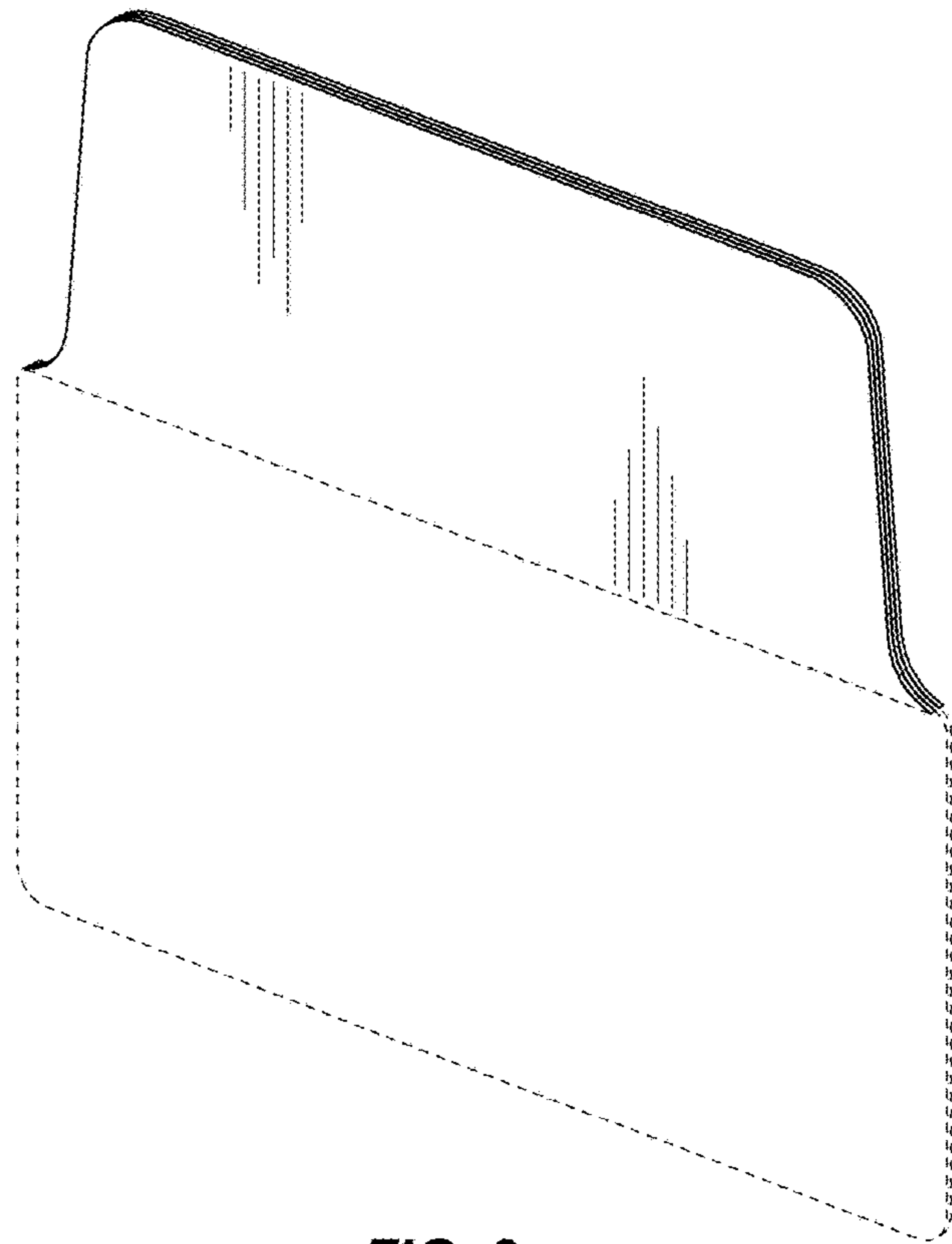


FIG. 9

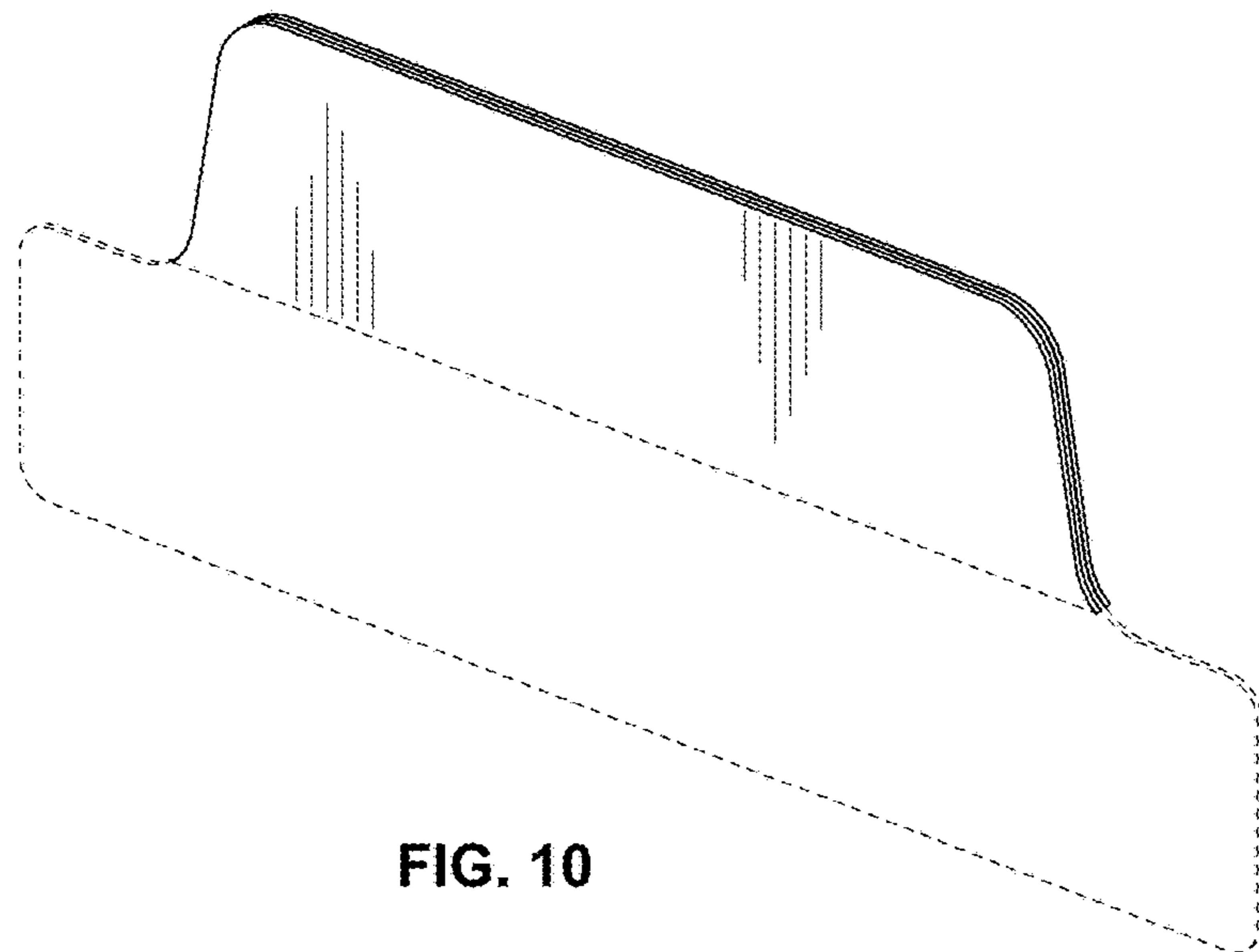


FIG. 10

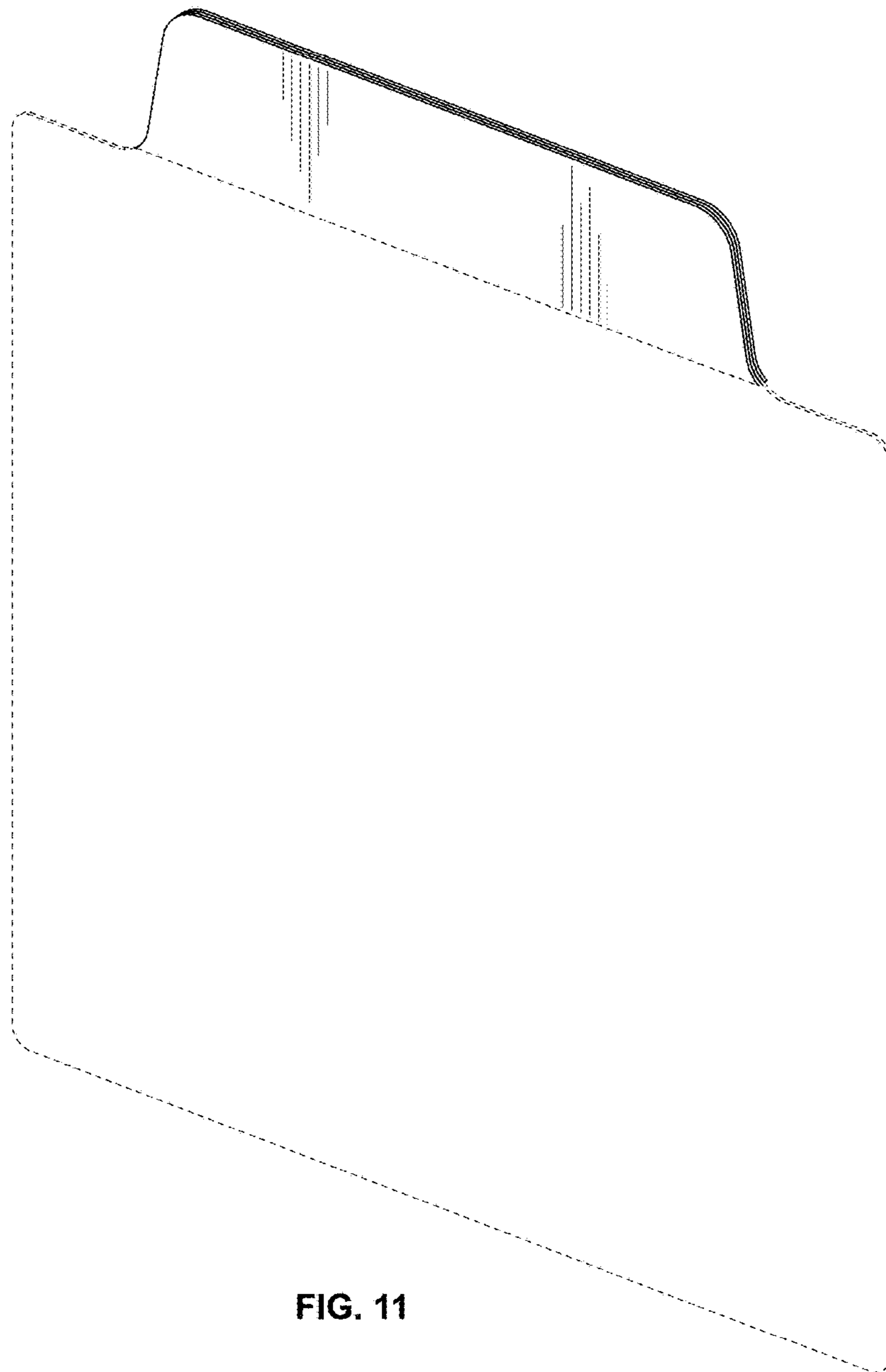


FIG. 11