



US00D815201S

(12) **United States Design Patent**
Larson et al.

(10) **Patent No.:** **US D815,201 S**
(45) **Date of Patent:** **** Apr. 10, 2018**

(54) **FERRIS WHEEL GREETING CARD**

- (71) Applicant: **American Greetings Corporation**,
Cleveland, OH (US)
- (72) Inventors: **Seth Larson**, Lakewood, OH (US);
Nicole Forrester, Cleveland, OH (US);
Erin Dennis, Lakewood, OH (US)
- (73) Assignee: **American Greetings Corporation**,
Cleveland, OH (US)
- (**) Term: **15 Years**

- (21) Appl. No.: **29/606,648**
- (22) Filed: **Jun. 6, 2017**
- (51) **LOC (11) Cl.** **19-01**
- (52) **U.S. Cl.**
USPC **D19/1**
- (58) **Field of Classification Search**
USPC D19/1-8, 82, 100; 40/124.01-124.15,
40/582, 540, 443, 442, 902, 672, 617,
40/599, 331, 359, 360, 625, 717, 455,
40/124.191; 446/147, 236; 362/806,
362/808; 428/42.1, 203-204, 913.3;
283/2-4, 74-75, 91, 103, 105-106;
D20/10, 22, 42, 27, 40; 229/92, 92.1,
229/92.8, 116.1, 116.3, 116.5, 530, 483,
229/811, 830; D11/131, 117; D21/660,
D21/606-608; 472/3, 27, 44-46
CPC B42D 25/00; B42D 25/20; B42D 25/23;
B42D 25/26; B42D 25/29; B42D 25/30;
B42D 25/285; B42D 15/022; B42D
15/027; B42D 15/045; B42D 15/042;
B42D 2033/00; B42D 2033/02; B42D
2033/04; B42D 2033/08; B42D 2033/10;
B42D 2033/16; B42D 2033/18; B42D
2033/20; B42D 2033/22; B42D 2033/28;
B42D 2033/30; A63G 27/00; A63G
27/02; A63G 27/04; A63G 27/06; G09F
1/00; G09F 1/02; G09F 1/08

See application file for complete search history.

(56) **References Cited**

U.S. PATENT DOCUMENTS

- 5,688,178 A * 11/1997 Emrie A63G 1/38
438/654
- D400,616 S * 11/1998 Gnezdilov D21/829
- D572,317 S * 7/2008 Lam D21/530
- 9,524,658 B1 * 12/2016 Wise G09F 1/06
- 9,643,443 B2 * 5/2017 Bogdanski B42D 15/042

(Continued)

Primary Examiner — Abraham Bahta

(74) *Attorney, Agent, or Firm* — Christine Flanagan

(57) **CLAIM**

The ornamental design for a ferris wheel greeting card, as shown and described.

DESCRIPTION

FIG. 1 is a perspective view of the ferris wheel greeting card of the present invention, in an open position.

FIG. 2 is a front view of the ferris wheel greeting card of FIG. 1.

FIG. 3 is a rear view of the ferris wheel greeting card of FIG. 1.

FIG. 4 is a left side view of the ferris wheel greeting card of FIG. 1.

FIG. 5 is a right side view of the ferris wheel greeting card of FIG. 1.

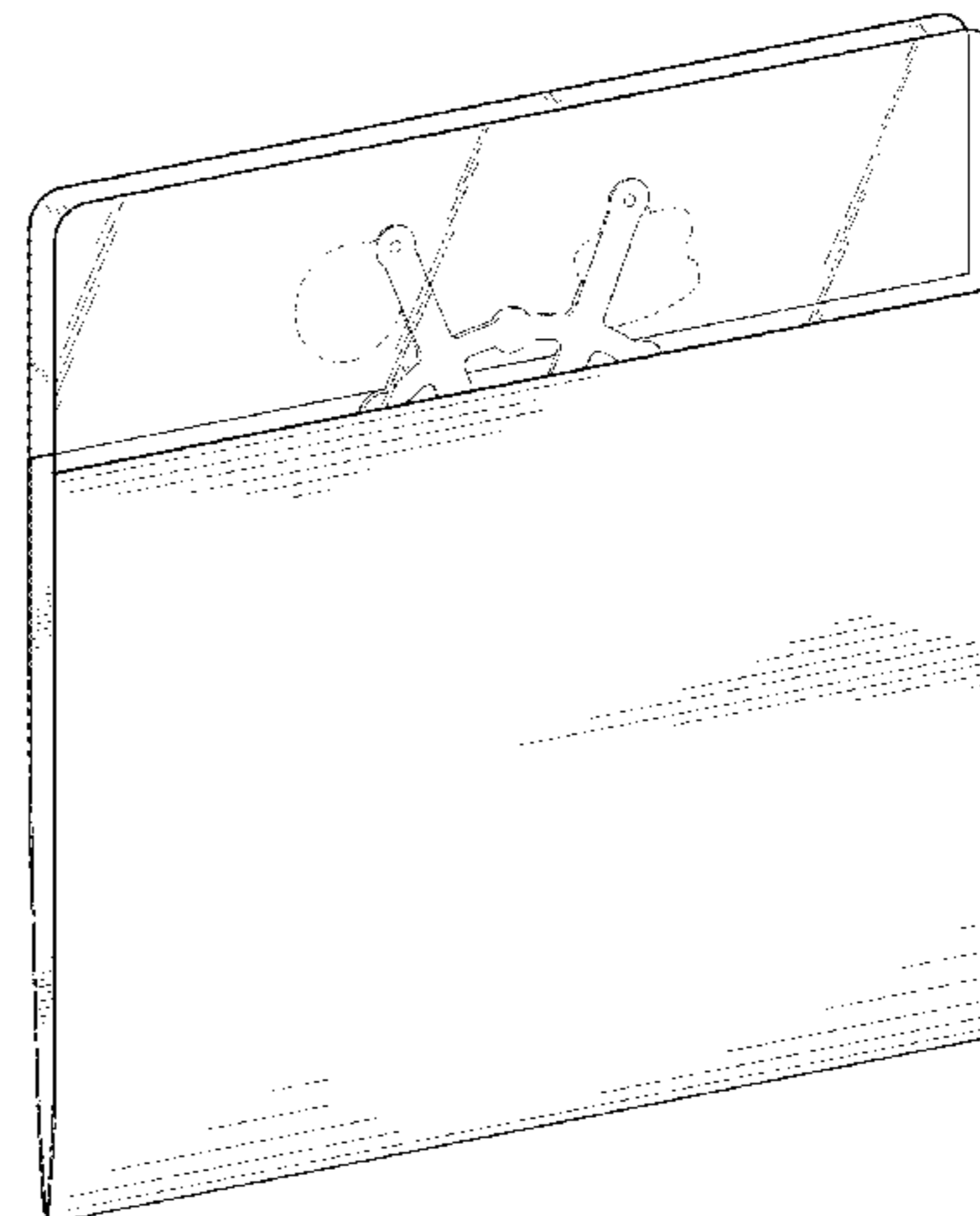
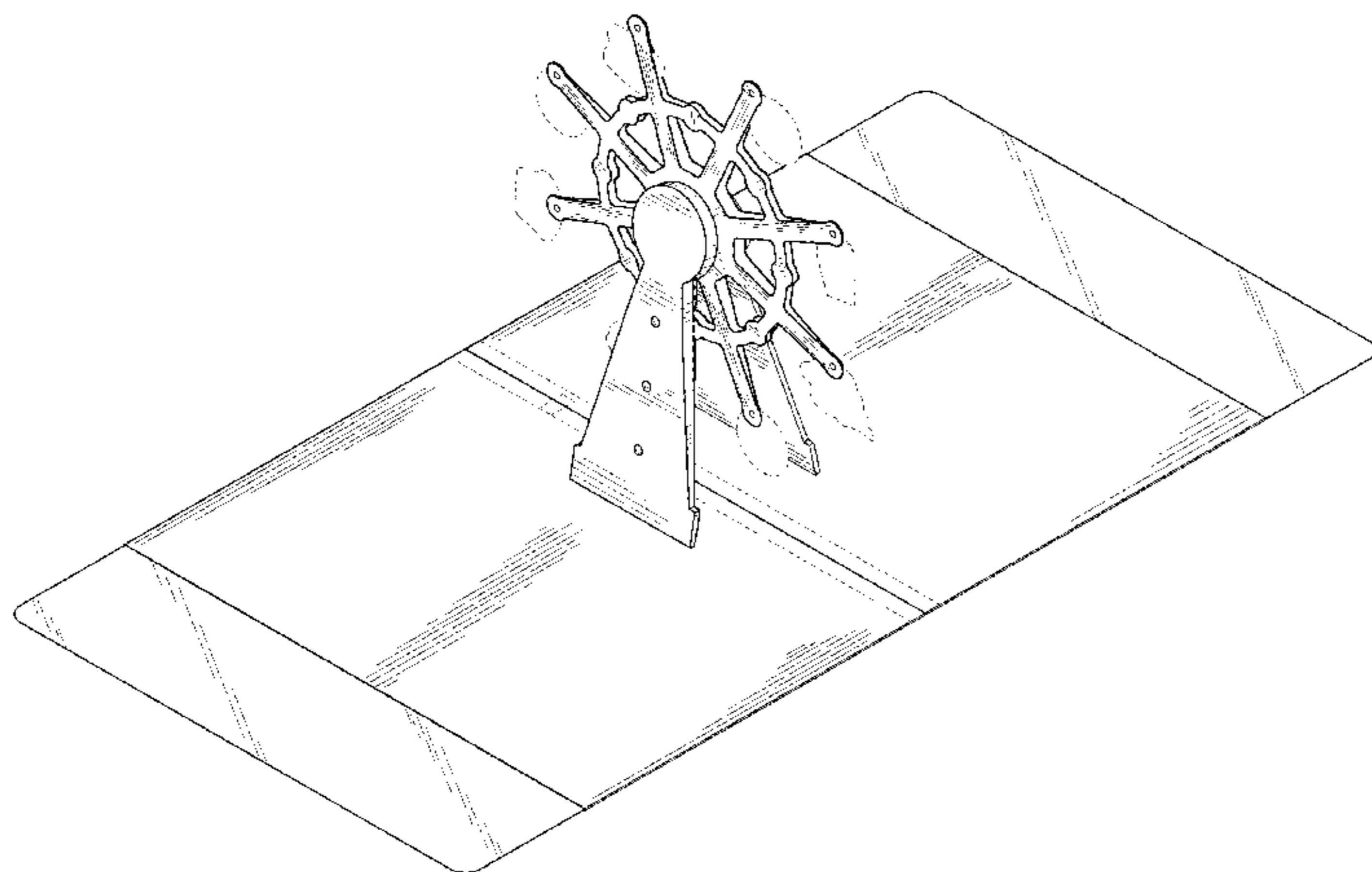
FIG. 6 is a top down view of the ferris wheel greeting card of FIG. 1.

FIG. 7 is a bottom up view of the ferris wheel greeting card of FIG. 1; and,

FIG. 8 is a perspective view of the ferris wheel greeting card of FIG. 1, in a closed position.

The broken line showing of portions of the ferris wheel greeting card is included for the purpose of illustrating environmental structure and forms no part of the claimed design.

1 Claim, 7 Drawing Sheets



(56)

References Cited

U.S. PATENT DOCUMENTS

D800,862 S * 10/2017 Easler D21/829
9,873,280 B1 * 1/2018 Nelson B42D 15/022

* cited by examiner

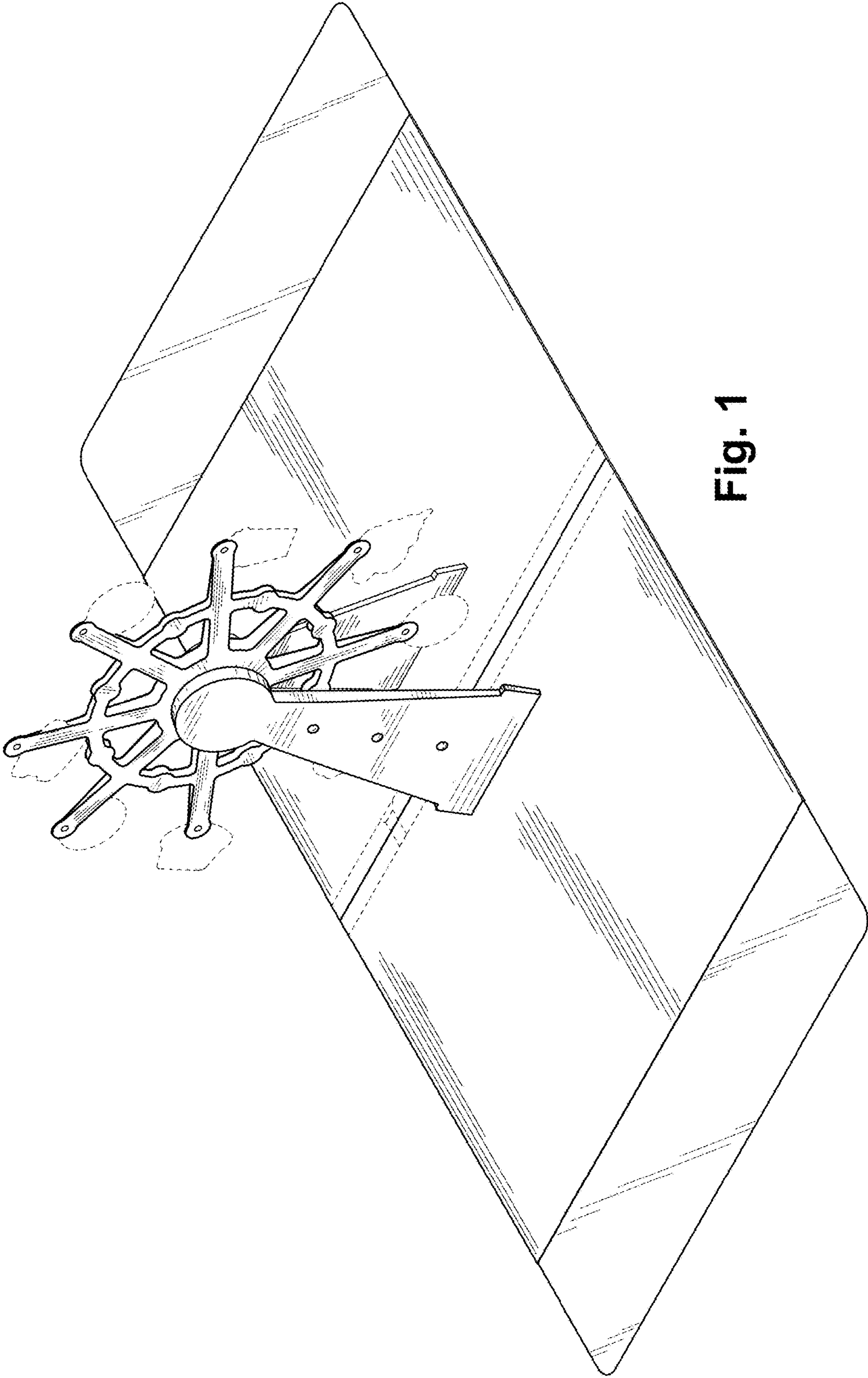


Fig. 1

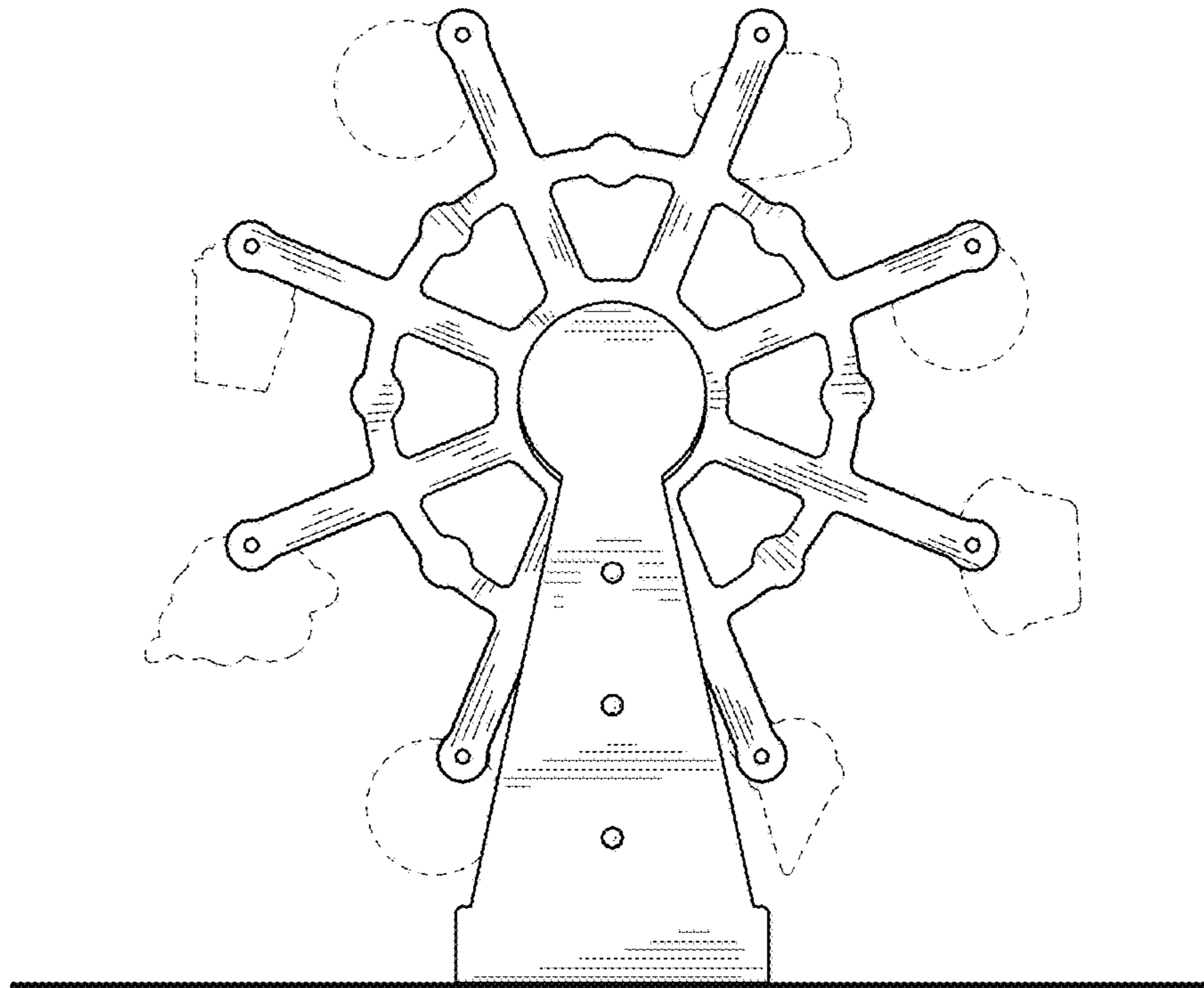


Fig. 2

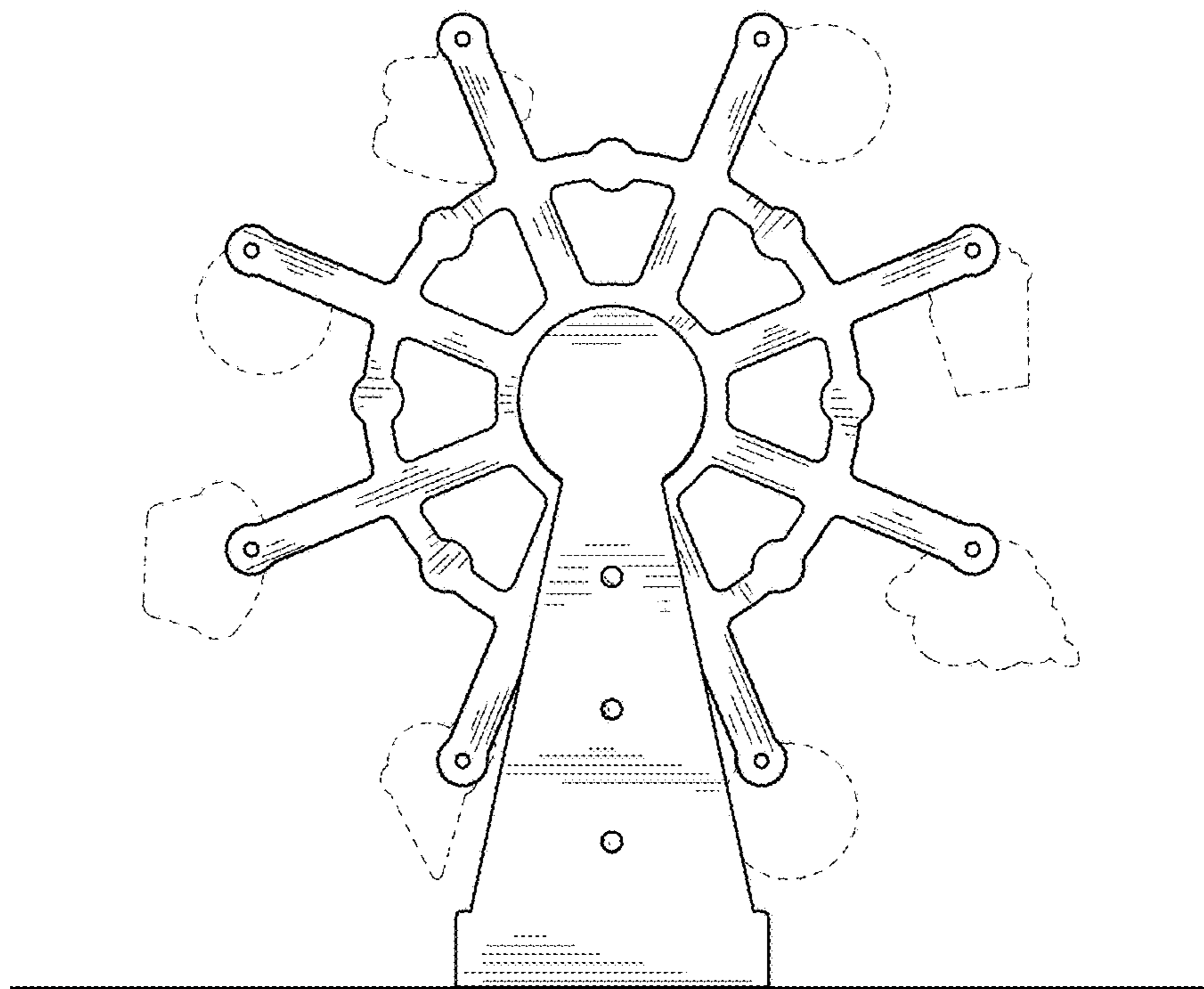


Fig. 3

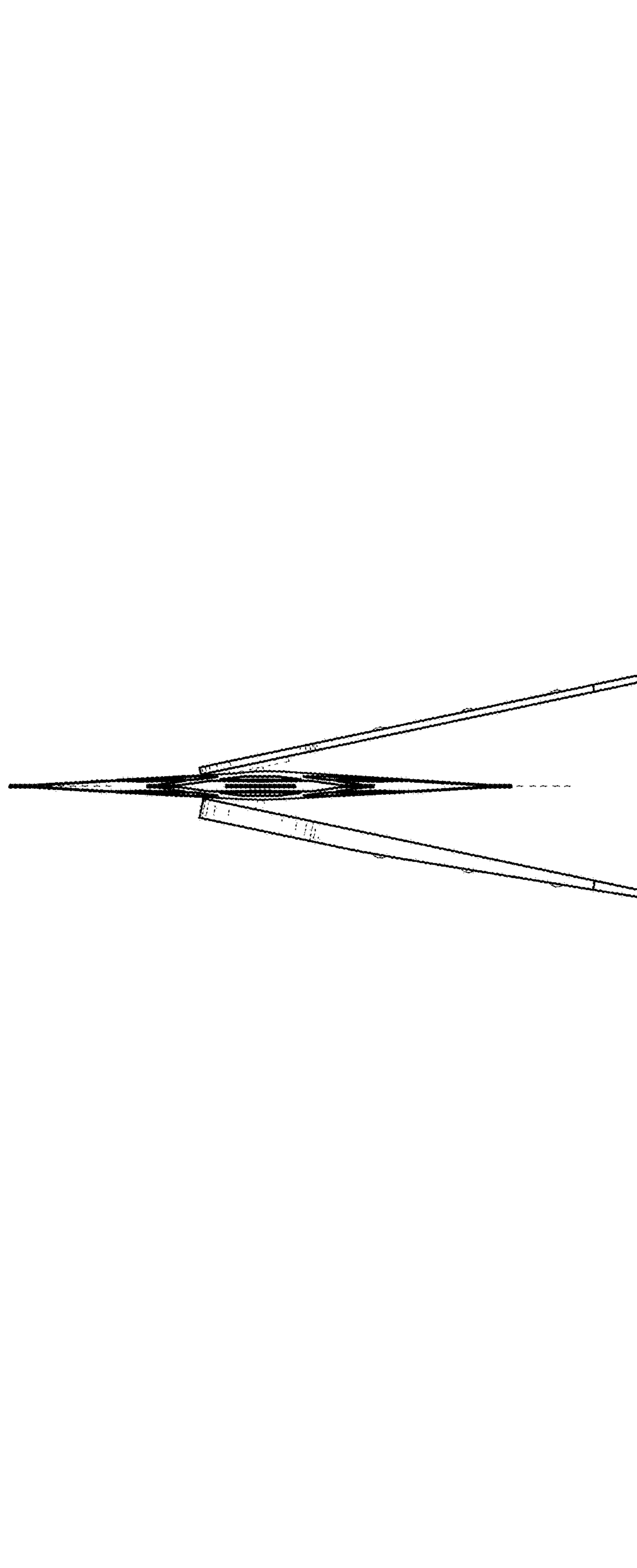


Fig. 4

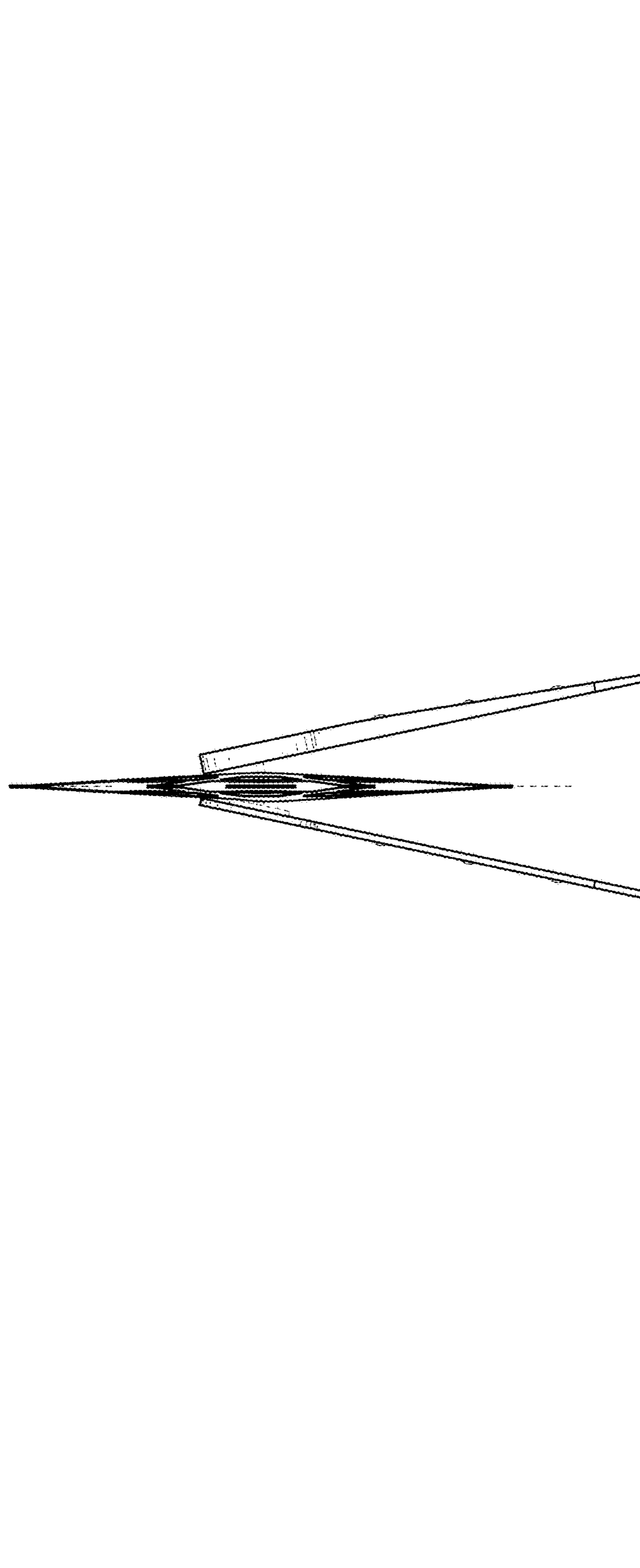


Fig. 5

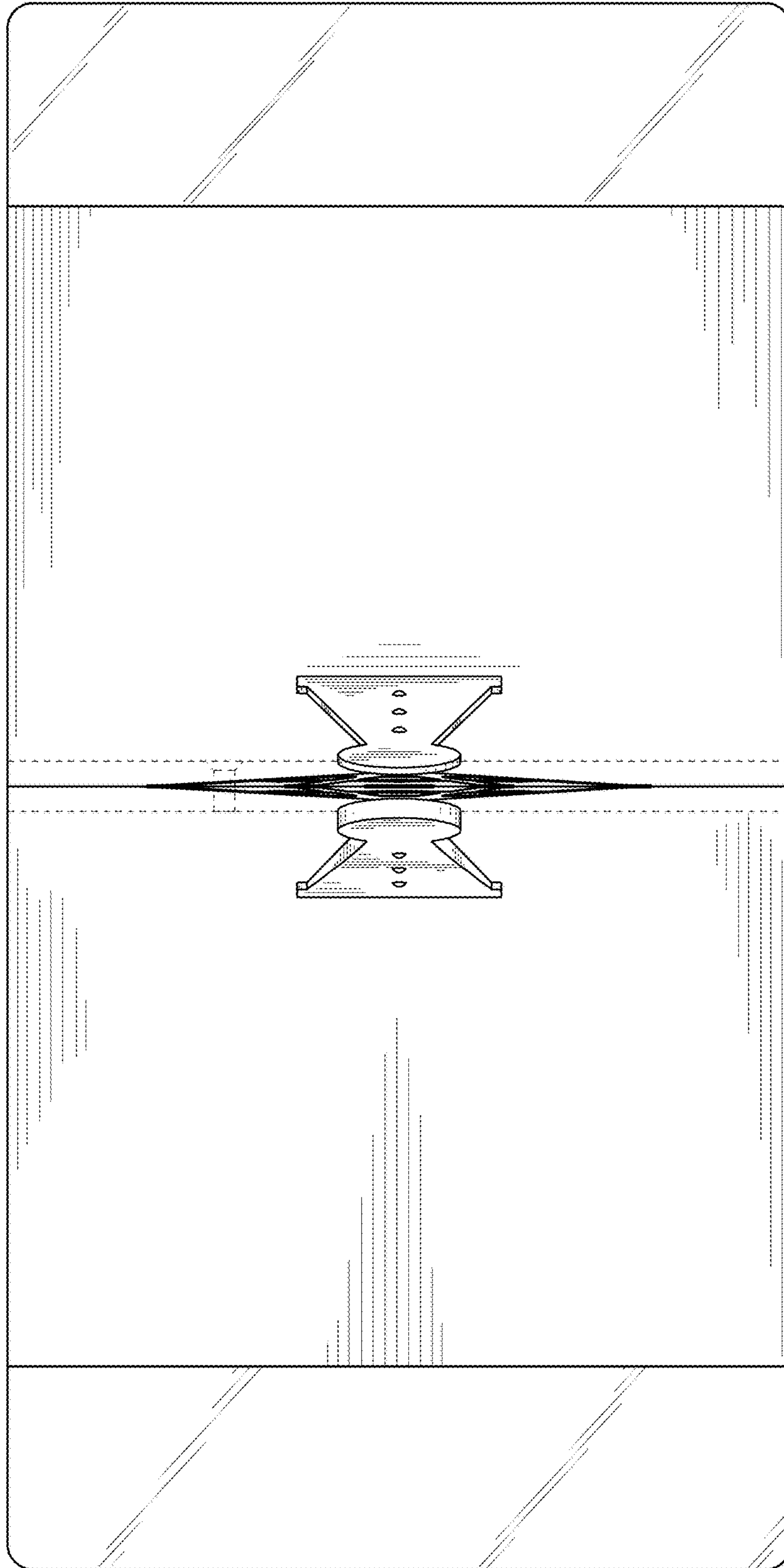


Fig. 6

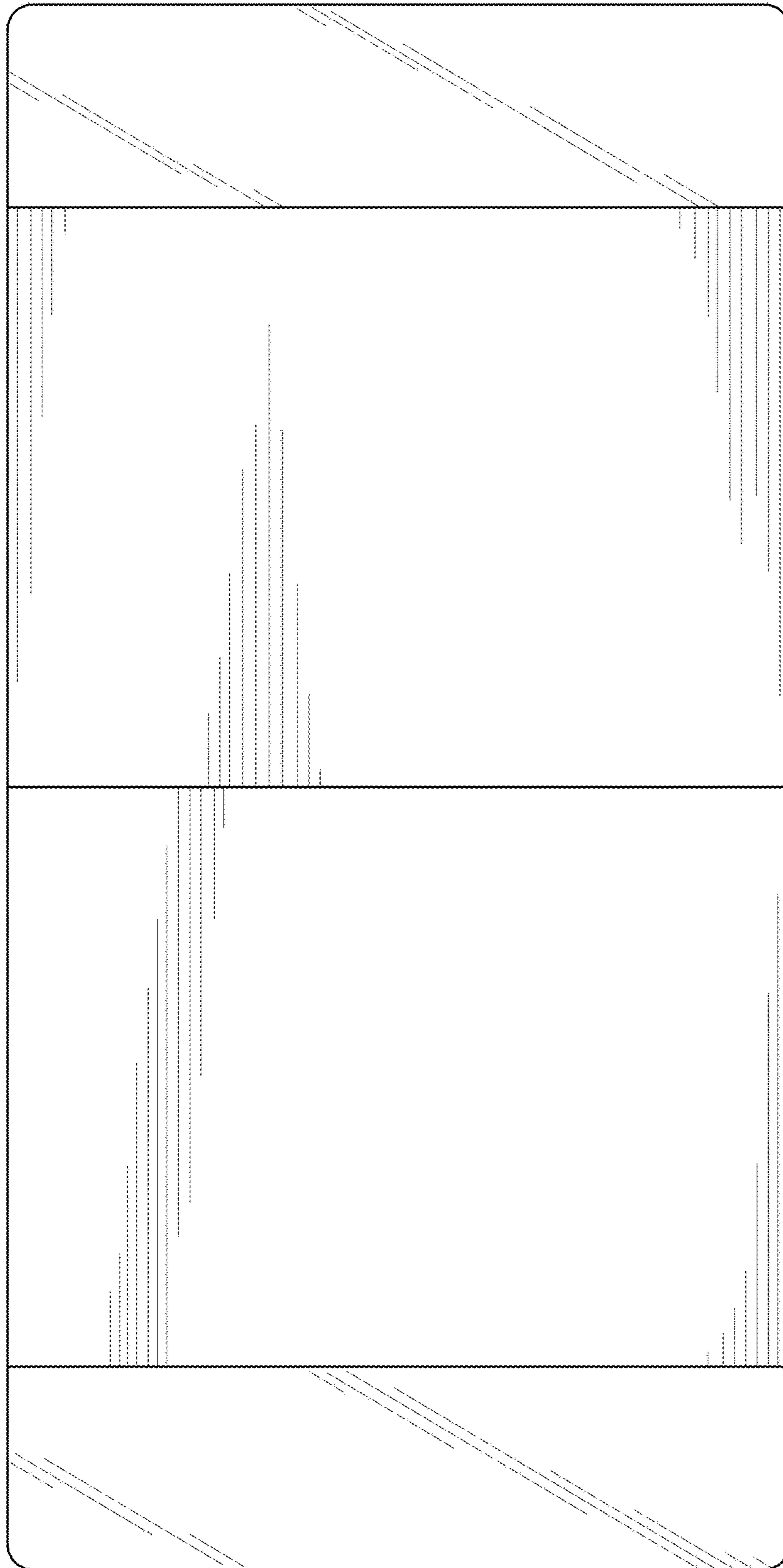


Fig. 7

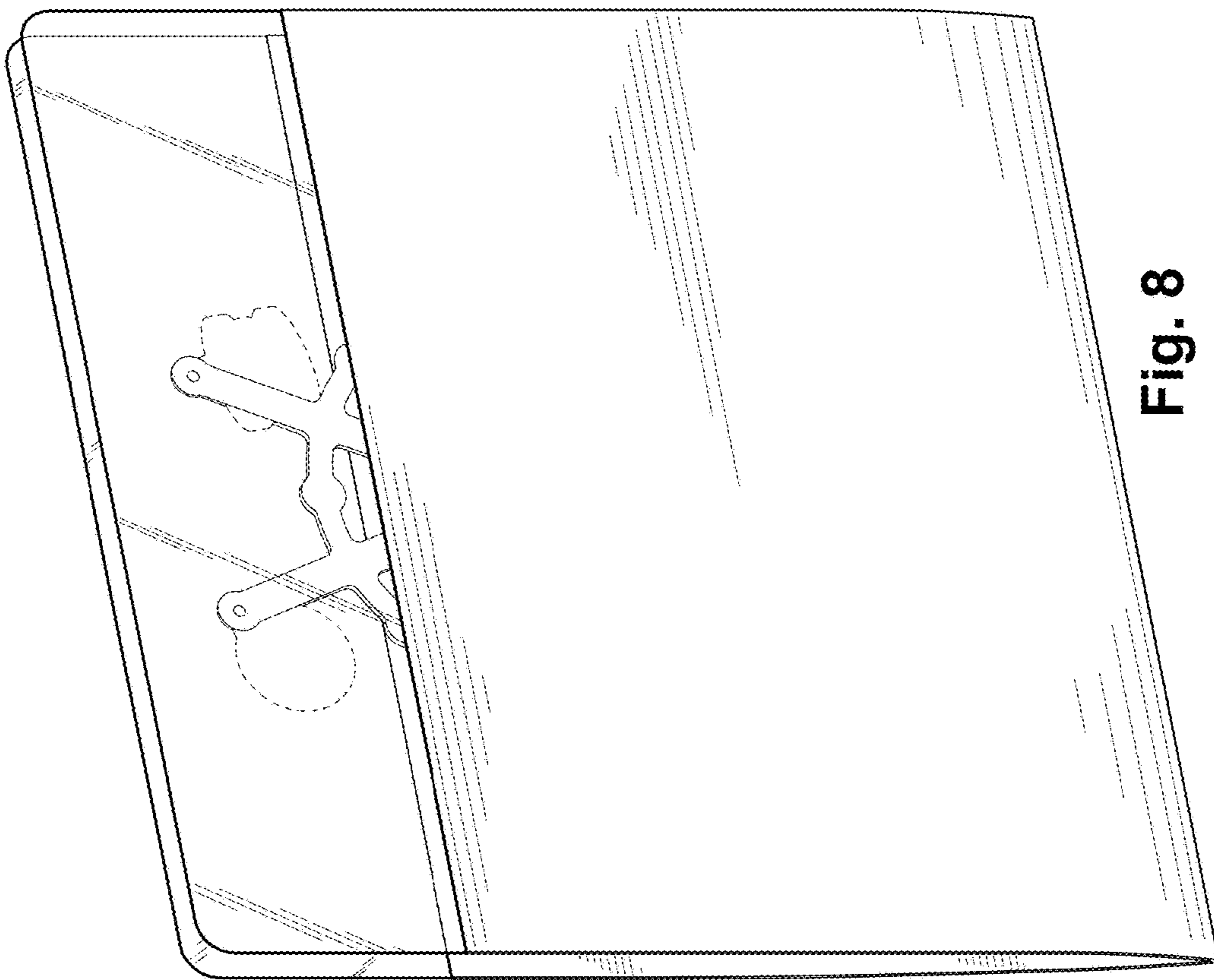


Fig. 8